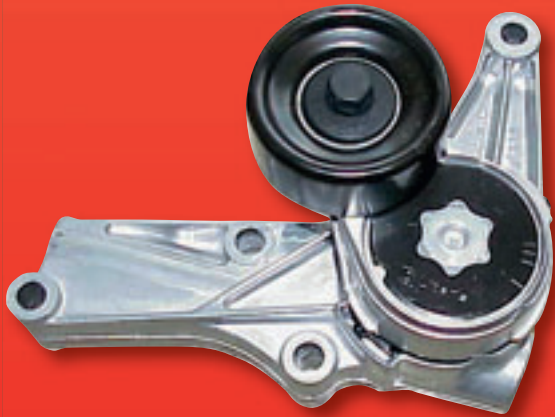




AUTOMOTIVE APPLICATIONS CATALOGUE

DRIVE BELTS

& DRIVEALIGN® COMPONENTS



AUSTRALIA - NEW ZEALAND



ASIA/PACIFIC MANUFACTURING LOCATIONS

NARA, JAPAN - AUTOMOTIVE, INDUSTRIAL BELTS SUZHOU, CHINA - AUTOMOTIVE BELTS
RAYONG, THAILAND - AUTOMOTIVE BELTS CHANDIGARH, INDIA - HYDRAULIC HOSE
TAEGU, SOUTH KOREA - AUTOMOTIVE BELTS, INDUSTRIAL BELTS SHANGHAI, CHINA - TENSIONERS

SALES AND DISTRIBUTION LOCATIONS

TOKYO JAPAN NARA JAPAN TAEGU SOUTH KOREA SEOUL KOREA BEIJING CHINA SUZHOU CHINA HONG KONG TAIWAN
BANGKOK THAILAND CHANDIGARH INDIA SINGAPORE MELBOURNE AUSTRALIA AUCKLAND NEW ZEALAND

The Gates Corporation, a subsidiary of the British Industrial management company Tomkins PLC, employs approximately 24,000 people worldwide and reports annual sales of over one billion US dollars. Gates is the world's largest manufacturer of rubber belts and hoses. In addition to industrial and automotive rubber products, Gates manufactures pulleys, idlers and tensioner assemblies for automotive front - end accessory drives.

To meet the needs of its customers globally, the Gates family of Companies operates more than 80 production and twenty distribution centres around the world supplying customers with the highest quality products and services.

The Gates Rubber Company supplies primarily the fluid and mechanical power transmission, motion control and material transfer businesses. Gates manufactures automotive and industrial belts and hose, and hydraulic hose, assemblies, and connectors for both original equipment manufacturers and replacement markets.

The primary industries Gates serves are manufacturing, automotive, transportation, agriculture, mining, construction, office equipment, computer technology, food processing and handling. Gates sells its products through a network of over 150,000 distributors, resellers and dealers worldwide as well as directly to automotive and industrial original equipment manufacturers. Directly or indirectly, Gates products affect the lives of millions of people around the world each day.

Gates Drive Belts & DriveAlign® Components Catalogue

Introduction Section		1-14			
Abbreviations		15			
Application Section		16-242			
Alfa Romeo	17-18	Hyundai	117-120	Porsche	182-183
Asia	18	Izuzu	120-123	Proton	184
Audi	19-26	Jaguar	123-124	Renault	184-186
Bedford	26	Jeep	124-125	Rover	186-187
BMW	26-32	Kia	125-126	Saab	187-189
Chrysler	33-35	Lada	126	Seat	189-190
Citroen	35-38	Lancia	127	Skoda	190
Daewoo	38-39	Land Rover	127-130	Smart	190
Daihatsu	40-44	Lexus	130-131	Ssangyong	190
Daimler	44	Leyland	131	Subaru	190-195
Datsun	44	Mahindra	131	Suzuki	195-198
Dodge	44	Mazda	132-140	Tata	198
Eunos	45	Mercedes-Benz	140-149	Toyota	198-227
Fiat	45-47	MG	149	Triumph	227
Ford	47-79	Mini	149	Vauxhall	228
FPV	79	Mitsubishi	149-165	Volkswagen	228-235
Hino	79	Nissan	166-178	Volvo	235-242
Holden	79-106	Opel	178	Yugo	242
HSV	106-109	Peugeot	178-181		
Honda	109-117	Pontiac	181		
DriveAlign Tensioner Images		243-254			
DriveAlign Pulley Images		255-264			
Drive Belt OE Cross Reference		265-268			
DriveAlign OE Cross Reference		269-314			

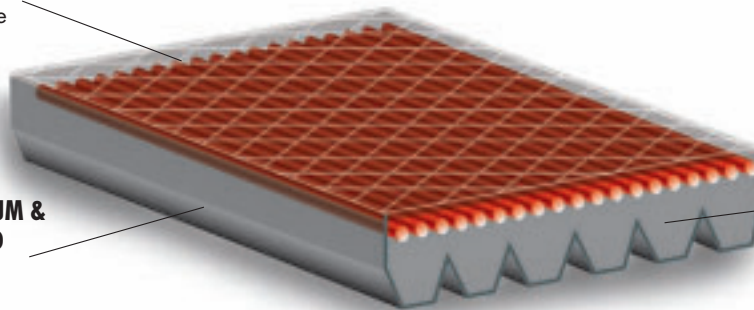
Gates Drive Belts & DriveAlign® Components

OVER CORD

- Cross cord
- Flex weave
- Gum back

ADHESION GUM & TENSILE CORD

- Polyester
- Aramid
- PEN



FIBRE REINFORCED ELASTOMER

- Neoprene
- EPDM

Gates Micro-V® Belts

Gates Micro-V® belts are an ideal replacement for original belts on serpentine drives and other multi-ribbed belt applications.

Designed for small diameter pulleys, backside idlers, and for use with (or without) automotive tensioners.

The advanced belt constructions used in these belts help to eliminate belt noise, reduce tension loss and solve problem drive applications.

The special tensile members and fibre-loaded reinforcement of ribs used in Gates micro-v belts, aid in added wear and crack resistance, more specifically Gates Micro-V® belts are specially constructed to resist wear and cracking.

Gates Micro-V® AT belts are made from technology so advanced, it's patented.

- The quietest belt in the aftermarket
- Superior grip in BOTH wet and dry
- Superior temperature resistance
- Longer Life

Gates Micro-V® belts are a quality product for today's applications.

It's what you expect from the world leader in belt technology.

Gates V-Belts

Gates V-Belts are superior in performance.

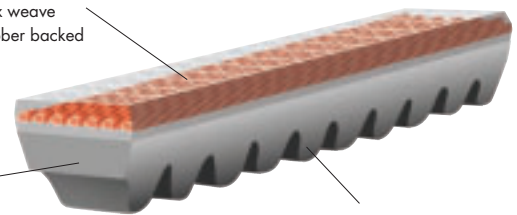
- The fiber loaded rubber material providing excellent heat and wear resistance
- The moulded notch construction provides reduced bending stresses around small pulleys
- The form grinding provides a smooth contact point between the belt surface and the pulleys.

OVER CORD

- Cross cord
- Flex weave
- Rubber backed

ADHESION GUM & TENSILE CORD

- Polyester



FIBRE REINFORCED ELASTOMER

- Neoprene
- Aramid Reinforcement

Stretch Fit™ Micro-V® Belts & Professional Tools

Are you prepared for the NEW belt technology?

More and more car manufacturers are now bringing vehicles into the market that are not equipped with an accessory drive belt tensioning device. Instead these vehicles use specially engineered self-tensioning drive belts. These belts are unique and also require special tools for installation. Gates have worked closely with car manufacturers globally to develop the very first self-tensioning belt designed exclusively for Stretch Fit™ applications.

Prior to installation, Stretch Fit™ Belts are shorter than the actual working length, but once they have been properly installed (using Gates Professional tools-refer tools section of catalogue) they automatically tension to ensure optimum load-carrying capacity and proper tension over the life of the belt.

Gates Stretch Fit™ Belts have revolutionary Twistlock™ technology.

- Patented EPDM Construction
- Exclusive Adhesive Formula
- Patented Aramid-Reinforced Undercord
- Super-Strong, Incredibly Flexible Polyamide Tensile Cord

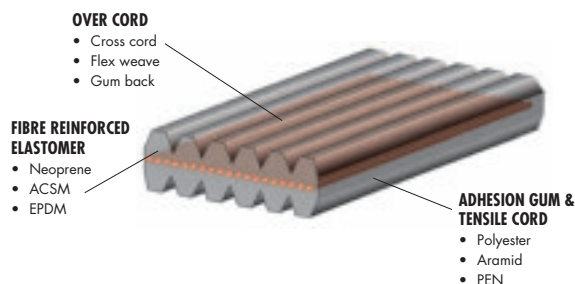
Gates Stretch Fit™ Belts are the ideal replacement to the OE self-tensioning belts.



Double Sided Micro-V Belts

Double Sided Micro-V belts are most popular for compact passenger vehicles where the under bonnet area is limited. The double sided Micro-V belt has the ability to transmit power from both sides of the belt while saving space.

Gates offers an alternative to OE replacement parts given that Gates Micro-V Belts are made to OE specifications. The belts are manufactured from EPDM compounds giving superior durability and resistance.



Gates Racing Micro-V Belts

The Gates Racing Micro-V belt has been specifically designed for high output applications. It is constructed with a high strength tensile cord and low stretch polyester for high load carrying capability. The overcord is made of coloured polyester fabric with a patented EPDM compound for high resistance. The blue rubber stock is impregnated with the fabric cover that will not wear off. The adhesive layer is patented EPDM compound for extended service life. The undercord is also made out of patented EPDM compound reinforced with aramid fiber for high heat and abrasion resistance. This belts construction provides:

- 3 times more strength and durability
- 3 times more load carrying capability
- 33% more resistant to high temperatures

A superior product for performance applications.



DriveAlign Tensioners & Idler Pulleys

Over 80% of all new vehicle applications use automatic belt tensioners. Like any other part they don't last forever, and tensioners should be replaced with EVERY belt change.

The vast majority of vehicles with serpentine belts often have an automotive tensioner. Tension is provided by a powerful spring located within a small canister-like housing and tensioning arm to which a pulley is attached. The arm pivots around the spring housing and generates a constant belt tension.

Tensioners are designed into the belt drive system for several reasons:

- Proper tension is maintained throughout the belt life
- To reduce the maintenance by eliminating the need to retension belts on a periodic basis
- To increase the belt life because the belt is not over or under tension
- They reduce the amount of belt tension required, thereby increasing bearing life of accessories
- Prevent belt slip. A belt that slips is not only noisy but can also cause accessories to not function properly.



Gates Accessory Belt Drive System tensioners are the OE. They fit, perform, and look like the OE.

The key product attributes include:

- Gates round tension spring offers less flex-fatigue than flat-wire designs thus extending the life of the tensioner.
- Two single-row bearings minimize friction for reduced bearing wear and noise.
- The bearings used in this product meet or exceed the OE bearing specifications to ensure the best performance and longest wear possible.

Equally as important as automotive belt tensioners, tensioner and idler pulleys are a wear item and should be replaced when the tensioner requires replacement.

Gates DriveAlign range of tensioner and pulleys are manufactured to OEM specifications. A variety of materials are used including steel and glass filled nylon. Pulleys are typically pressed from metal sheet, spun from flat metallic disks or injection moulded from nylon.

Common reasons why you should check and replace pulleys when you change your belt drive:

- Idler pulley bearings can contribute to accessory drive noise
- Damaged pulleys will affect replacement belt life
- Accessory performance (i.e.: power steering and air conditioning) can be affected by damaged or worn pulleys.



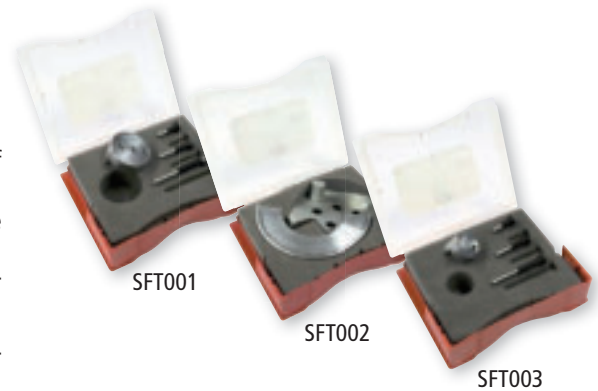
Gates Drive Belt System Tools

Stretch Fit™ Professional Tools

Gates Stretch Fit™ Professional Tools are superior in design and are application specific, they provide numerous advantages:

- Safer – Gates Professional Tools are application specific and prevent the risk of damaging the belt and drive system.
- Easy to use – Gates can provide step by step installation instructions to ensure the fitter has the correct information to install the belt accurately the first time.
- Re-useable – Gates professional tools are an investment, they are suitable for use over and over.

Refer to the application section of the catalogue for which tool(s) are required for each stretch fit application.



PART # 91209 BELT INSTALLATION TOOL

Reduces time required to install serpentine belts on hard to reach drives. The 2 pin hook end holds the belt in place and the grove handle provides the necessary grip to easily manoeuvre the tool around pulleys. Also handy for installing difficult to access V-Belts and timing belts.



PART # 91006 DRIVE ALIGN LASER ALIGNMENT DEVICE

Quickly identifies two most common types of pulley misalignment - parallel offset and angular - that reduce belt and pulley service life and produce unwanted noise. Simply position tool within the grooves of pulley and aim laser beam at opposite pulley. This exclusive, patented tool is compatible with all automotive serpentine belt drives. Lightweight, easy-to-use tool includes special laser enhancement glasses for easy viewing in all light conditions. Comes with high-impact resistant carrying case.



PART # GVMVBM LENGTH FINDER (V-BELTS AND MICRO-V BELTS)

Make it easy to identify belt sizes with Gates range of length finders. Various finders available for Micro-V, V-Belt and heavy duty belts.



PART # 91011 SERPENTINE RATCHETING WRENCH SET

Facilitates the speedy release of tension on serpentine belt drives. Reversible, 21-tooth ratcheting heads on each end allows for better tool positioning and more swing than standard serpentine belt wrenches. Wrenches are 21-1/2" long. 6" longer than competitive designs for increased leverage.



KRIKIT 1 PART # 91107 (TENSIONS 30 > 160LBS, 15 > 75 KG)

KRIKIT 2 PART # 91132 (TENSIONS 100 > 320LBS 15 > 150 KG)

Simple and easy to use device to check tension levels for accessory drive belts. Just push against the belt until a click is heard. Kriket 1 is suitable for v-belt drives and Kriket 2 is for micro-v drives.



Belt Wear Gauge is sitting above the top of the ribs, belt wear is acceptable.



Belt Wear Gauge is sitting below the top of the ribs, belt needs to be replaced.

GATES BELT WEAR GAUGE

EPDM belts, installed by OE manufacturers on new vehicles since the late 1990s, typically do not show obvious signs of wear, as with Neoprene belts. Cracks and chunk-outs rarely occur, so it is necessary to evaluate belt wear differently. Like tyres, EPDM belts wear out gradually, steadily losing rubber material. Gates has developed this Belt Wear Gauge to help you assess wear on these newer EPDM belts. It is simple to use, and will allow you to quickly gauge wear on a multi-ribbed serpentine belt—either on the engine or off.

The Belt Wear Gauge results indicate an approximation of the material loss from the belt, which should be taken into consideration with other factors—such as km's, operating conditions and the condition of other components of the accessory drive.

Step 1 - Safety First

First and foremost, for your own safety, disconnect the car's battery and set the hand brake.



Step 2 - Check Belt Routing

Before removing the old belt on a serpentine drive, look under the bonnet and around the engine compartment for the belt routing diagram. If this information is missing, make a sketch of the belt's path around the pulleys. Put the letter "A" on the belt for later reference.



Step 3 - Release Tension

You can easily slide the belt off the pulleys once the tension is relieved. Many new cars use an automatic tensioner which makes servicing easy. Release the tension by means of a spanner or socket wrench and block the tensioner in the retracted position. Other cars use the tensioners or accessories which have to be locked down manually to provide the correct tension. These are called locked centre drives. To remove the belt, release the tension by loosening the jacksaw.



Step 4 - Check for Misalignment

Before you take the old belt off, check the alignment of the pulleys as this is a very critical factor for multi-ribbed belts. Misalignment can cause severe belt wear and damage. It can also create noise or cause belts to jump off the pulleys. Unfortunately, misalignment is very hard to diagnose due to the tight confines of the engine compartment. If there is enough room and if pulleys are the same, you can check misalignment by holding a ruler along the face of one pulley to the face or edge of the second pulley. Misalignment exists if there is a gap between the pulley face and the ruler.



Step 5 - Check Belt & Pulleys for Wear & Dirt

Once you have checked alignment, you can remove the belt. Now check carefully inspect the entire ribbed area for cracking, chunking and pulling.



Micro-V Belt Trouble Shooting Guide

Random Cracking

In addition to continuous exposure to high temperature, the stress of bending around the pulleys leads to cracking. Cracks begin at the rib top and grow to the cord line. As a rule, if cracks appear 1 or 2cm apart, 80% of the life is gone and the belt should be replaced.



Chunk Out

When a chunk or section of rib breaks off a belt, the belt can fail at any moment. Chunking can happen when several cracks in one area move parallel to the cord line. In this case replace the belt.



Abrasion

When in motion, the belt makes contact with an object in its path such as a flange or bolt. The back side of the belt appears shiny or glazed. In advance stages, fabric becomes exposed. This may be caused by improper belt tension. Replace belt.

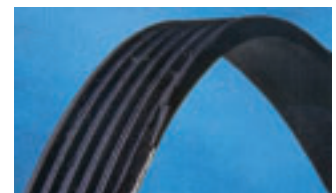


Misalignment

Pulleys that are misaligned cause the belt to kink or twist while running. Sidewalls of the belt may appear glazed or the edge-cord may become frayed and ribs removed. In severe cases, the belt can jump off the pulley. Replace belt and correct alignment.

Uneven Rib Wear

A foreign object such as a pebble in the pulley will cause uneven wear and cut into the belt creating a jagged-edge appearance. A thumping or grinding noise may also be heard. Any damage to the belt will significantly reduce its life, recommend replacement.



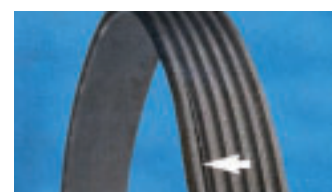
Pilling

Pilling happens when material is sheared off the undercord and builds up in the belt grooves. There are numerous causes such as lack of tension, misalignment and/or worn pulleys. Pilling will occur most frequently in diesel engines, but is not isolated to them. When pilling leads to belt noise or excess belt vibration, the belt should be replaced.



Incorrect Installation

Improper belt installation is a common cause of premature failure. One of the outer-most belt ribs are placed outside the pulley groove, causing a belt rib to run without a supporting or aligning pulley groove. A belt rib begins separating from the joined strands. If left unattended the cover will separate, causing the entire belt to unravel.



Refer Page 9 for NEW Belt Wear Inspection Changes

Glazed or Shiny Sidewalls

The friction created by a loose belt spinning in the pulley causes the belt side-walls to become slick and shiny. These glazed side walls lose their gripping strength and the belt slips even more. Grease and oil on the pulley can also cause this condition.



Cracks

Deep, bottom cracks that appear at regular intervals are caused by the belt turning around a small pulley (usually the alternator) - the undercord is being stressed to the breaking point. Smaller irregular cracks however, usually just indicate a belt that has weathered a long life.



Chunk-Out

As cracks deepen, chunks of the belt start to break off, destroying it.



Separating Layers

A belt that is falling apart in layers could be a victim of oil from leaking engine parts. Oil and grease are a rubber compounds worst enemies, weakening the compound's bonds making the belt soft and spongy. Eventually, such a belt will slip, create heat and fail.



Tensile Break

A large foreign object in the pulley can cut into the belt and break the tensile cords. A tensile break may occur, but go unnoticed, when a belt is forced or pried on during installation.



Pulley-Damaged Side-Wall

A rough wall on the pulley, or a foreign object (such as sand or gravel) will gouge the belt side-wall. Foreign objects can get into a pulley from an oily, sticky belt. Regular cleaning of drive components helps prevent this problem.



Edge Cord Failure

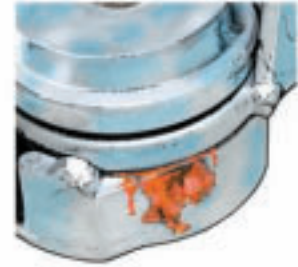
When a crack develops where the tensile cord is exposed the cord gets damaged. Small pulleys, over-tensioning and heavy accessory loads also contribute to edge-cord failure.



Rust Bleed / Cracks in Tensioner

Rust Bleed: Inspect tensioner and surrounding area, particularly below tensioner for rust bleed. Typically, rust will bleed between arm and base. Rust bleeding or dripping from tensioner is a sign of internal component wear. Replace tensioner and clean rust off other components.

Cracks in Tensioner: Check tensioner for cracks or damage to arm, housing or bracket. Some damage cannot be seen unless tensioner has been removed from engine. Most common damage occurs at tensioner stops and mounting bolts. If damage is found, replace tensioner.



Tensioner Noise

With engine running, check for noises coming from tensioner. The best method is to use a good quality mechanics stethoscope. (Use caution around moving parts of fan and belt drive system). Squeaks and rattles from tensioner indicate impending failure. Shut off engine and remove belt. Ensure that the belt length is correct and that tensioner arm is located within designated operating range. Rotate pulley and tensioner arm and check for resistance and noise. Replace if necessary.



Tensioner Pulley Bearing Wear

With engine off and belt removed, manually rotate tensioner pulley. Note noise, resistance or roughness. Check for excessive play or free rock (looseness) in bearing by rocking pulley. All indicate defective bearing and/or pulley and complete tensioner replacement is recommended.



Improper Belt Tracking

With engine running, observe position of belt as it rides on pulley. Belt should be travelling on designed surface - not on or over pulley edges. Belt should continuously track in one location and not wander. Inspect surface and/or backside of belt for signs of abnormal belt tracking. Improper tracking is also a sign of bent brackets or misaligned components.



Pulley Wear

Pulleys are made from plastic or steel and have either a flat or grooved surface.

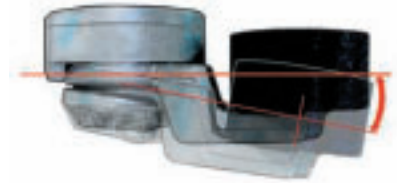
1. Flat surfaces should be smooth and free from chips, cracks and dents.
2. Surfaces should be even without steps or channels caused by belt wearing into pulley (also see "Improper Belt Tracking").
3. Grooved surfaces should be free of chips, cracks, dents and inbedded debris within grooves.
4. The high points of grooves should not be worn down and should be of equal height.
5. Plastic pulleys have fins in sidewall that should not be cracked or broken.

Although pulley can be replaced on tensioners that exhibit these conditions, it is suggested that the complete tensioner be replaced as these problems indicate tensioner failure could quickly follow.



Tensioner Arm Misalignment

Inspect tensioner for arm misalignment. Primary indicator of tensioner arm misalignment is abnormal belt tracking on tensioner pulley. Belt will not follow its correct and intended path on a flat pulley surface and tracks to either side or over edge of pulley. Metal-to-metal contact between arm and spring housing is also sign of misalignment. Indications of contact appear as shiny, smooth streaks or gouges in tensioner housing or arm. Tensioners that have lost alignment may swing away from engine when pulled in and out. If misalignment is apparent, pivot brushing has worn down and tensioner should be replaced.



Tensioner Assembly Misalignment

Caused by mounting bracket problems or improper installation. Bent or misaligned tensioner mounting bracket also causes tensioner assembly misalignment. The use of the Gates DriveAlign® Laser Alignment tool is recommended to diagnose this condition, or a straight edge can be used. Corrosion or contamination between tensioner base and mounting surface is common cause of misalignment after tensioner replacement. Small amount of contamination in area results in large amount of misalignment at tensioner pulley. If misalignment is still evident, replace tensioner.



Excessive Tensioner Arm Oscillation

With engine running, observe oscillation (back and forth sway) of tensioner arm. If large swings occur or continual oscillation is evident, damping system or spring torque has likely failed. Excessive tensioner oscillation reduces tensioner life, belt and component bearings. If excessive oscillation is observed, replace tensioner.



Insufficient Spring Force / Excessive Spring Force

Insufficient Spring Force usually associated with belt slip noise (squeal), excessive belt span vibration (flutter) between two pulleys and excessive oscillation. Verify that the belt is correct for application. With engine off, cycle tensioner from stop to stop. There should be resistance in this motion; arm should not move easily. Replace tensioner if these conditions exist. Excessive Spring Force occurs when tensioner internal pivot bushing wears and tensioner arm becomes locked to base. Broken or extremely worn drive belt, abnormally worn pulleys and/or repeat failure of accessory components or bearings are indications of this condition. With engine off, cycle tensioner from stop to stop and feel for binding, sticking or locking conditions. Presence of conditions indicates tensioner replacement.



Sticky or Notchy Arm Movement

With engine off, cycle tensioner through entire range of motion (from stop to stop) by applying torque to the arm with tensioner tool. Arm should move smoothly and freely. If binding, sticking or grinding is observed, replace tensioner.



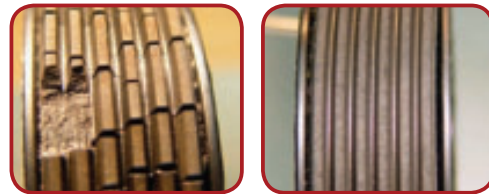
Belt Inspection Changes

Standard industry belt diagnostics call for replacement of a serpentine belt if it shows three cracks in a three inch section. This is a good rule of thumb for Neoprene, but not so good for EPDM. EPDM belts inherently resist cracking because of the increased elasticity, so a visual check for cracks is not a very good indicator of true belt wear especially since they can run 100,000 miles or beyond with no visual cracks. A far better indicator of wear on EPDM belts is material loss.

Serpentine belt drives are exposed to grit, rocks, salt and water. Over time, these contaminants along with slight misalignments result in wear of the rubber rib surface. Like tyres running on a highway, serpentine belts gradually lose material over time which results in failure modes defined by changes in belt profile. One problem associated with material loss is how the belt fits around the pulley. Belts are designed to allow clearance between itself and the pulley. When material loss occurs, the clearance is lost; thus, eliminating a way for water and debris to be passed through the system. This can result in belt hydroplaning.

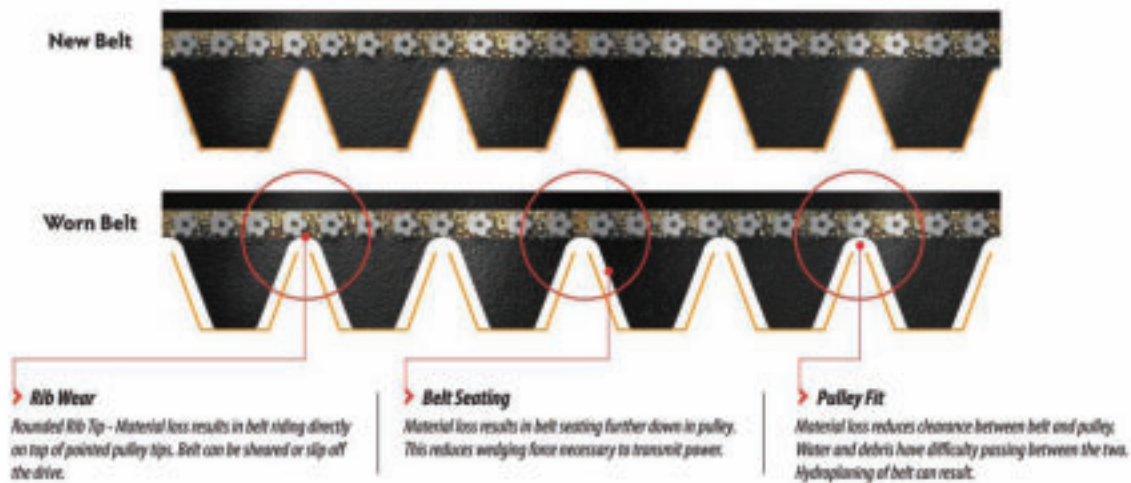
- Over time, belt ribs lose material
- With material loss the space between the ribs increases
- The belt can “bottom out” on the pulley
- This causes belt slip and accelerated wear
- When water cannot channel out between the belt and pulley, hydroplaning (like a tyre on a wet road) can result

Belt wear after 160,000 kms



NEOPRENE

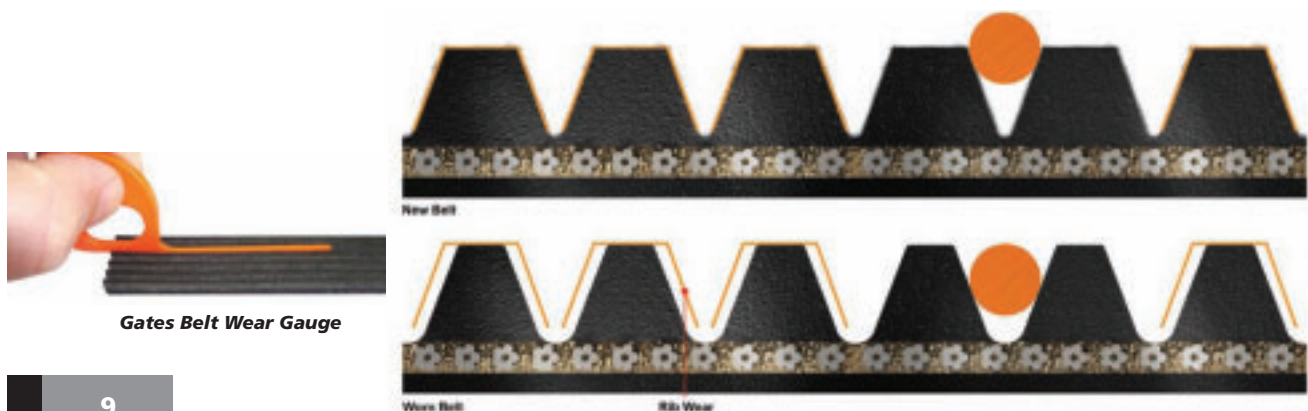
EPDM



So, if a technician cannot count on belt cracks as a wear indicator on newer belts, what options does he have? This is where, like on many modern vehicle systems, good detective work pays off. Today’s technicians need to look at the whole package, from the belt/tensioner performance, to vehicle mileage, to the operation of every other system component. If problems are found anywhere then the tech should always take a hard look back at the parts that transmit power to everything else which is the belt and tensioner. A persistent check engine light, reduced engine cooling, inconsistent power steering performance or poor A/C system performance are all signs of belt slip caused by wear.

The slightest material loss in belts means more to a car’s drivability than you might think. Changing a belt during other component replacement is imperative to avoid come backs. The best practice is to begin checking belts at 80,000 kms to ensure that the belt rib is uncompromised and is not showing wear. Remember, as little as 5% rib material loss can create issues.

To measure belt wear a precision diameter (1.6 mm) tool can be set in the belt grooves. Place the long end of the tool between the ribs of the worn belt. If the tool sits high enough in the rib valley to expose the top of the tool the belt is okay. If the tool sinks into the valley between the ribs the belt has lost a significant amount of material and should be replaced. Use Gates new tool to help in diagnosing belt wear.



Pulley Alignment Tension

Today's belt performs a specific job, transferring power from the crank pulley to all accessories in the Front End Accessory Drive system (FEAD). Power-hungry alternators, air conditioners, power steering and water pumps all try to rob the belt and keep it from transferring this power. To say the least, it's no small task to keep all these parts functioning properly, especially under extreme temperatures.

If regular preventive maintenance and inspection has been overlooked throughout the years or at some point an incorrect part has been installed, the system may suffer. The customer who just purchased a new Gates belt expecting a long, worry-free motoring experience, may see a failure soon after they replace their belts because their FEAD system was not properly inspected and cleaned before installation.

A belt must have three items in order for it to run correctly:

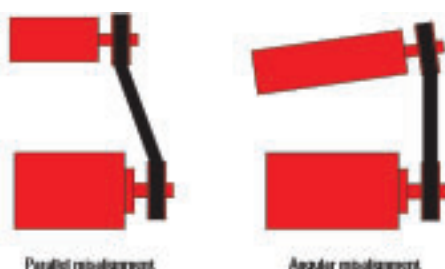
1. Pulleys – in good operating order free and clear of dirt grease and grime.
2. Alignment – proper alignment with any misalignment repaired before installation of the new belt.
3. Tension – if the belt does not have proper tension it will begin to slip, causing heat, resulting in premature failure and noise.

Pulleys

Just like V-belt pulleys, micro-ribbed pulleys should be inspected and cleaned before new belt installation. Any buildup of road dirt or oil residue in the grooves of the pulleys should first be removed with alcohol-based brake cleaner and a soft bristled brush. In fact, if there is oil on any of the pulleys and it has not been removed, as soon as the key is turned, the new belt will be coated and the failure starts all over again.

Alignment

There are two types of misalignment: parallel or angular.



1. Parallel misalignment refers to pulleys that are outside the plane of other pulleys in the drive system but whose shafts remain parallel with the other components. Proper positioning of a pulley on a shaft will help ensure all pulleys are in a common plane.
2. Angular misalignment refers to pulleys which are within the drive system plane but are tilted because their shafts are not parallel.

Both misalignment conditions can create belt tracking problems, excessive wear, chirp noise and belt stability problems. Just a few degrees of misalignment can increase belt operating temperature by 30° F, reducing belt life by as much as 50 percent.

Misalignment noise occurs most frequently on the shortest spans in a drive, which often arise between a backside pulley and an adjacent grooved accessory pulley. Proper pulley alignment is particularly critical in these locations.



Use Gates DriveAlign® Laser Alignment Tool (Part #91006) to quickly identify pulley misalignment.

Another tip for identifying misalignment or slip is to spray water on a noisy belt. If the noise gets louder, the belt is slipping; if the water causes the noise to fade or go away completely, there is misalignment in the FEAD system.

Tension

In addition to misalignment, the other major cause of belt noise is improper tension, which can be caused by a number of factors:

- Insufficient installation tension
- No run in and retension when the belt is new (manually tensioned drives)
- No continuing tension maintenance
- Insufficient installation allowance in the drive
- Insufficient take-up allowance in the drive
- Change in drive center distance
- Pulley groove wear
- Belt sidewall wear
- Belt permanent elongation

Without proper tension, a belt will slip, the sidewalls will wear smooth and the belt will eventually harden through "heat-aging", a process referred to as glazing. The more glazed the belt surface is, the more likely it is to be noisy and lack sufficient ability to transmit power.

The cause of belt noise is often referred to as belt "stretch". However, the use of the term "stretch" is actually an inaccurate identification for what is, in fact, a loss of tension caused by one of the factors listed above. Belt deformation is usually not a sufficient reason for loss of tension.

Belts tensioned too high may not cause noise, but can shorten pulley bearing life from excessive hub loads. Too much tension can also result in excessive belt wear, increased belt temperatures, and premature belt failure. Use Gates DriveAlign belt tensioners for OE fit, form and function. Gates recommends replacing tensioners and idler pulleys with every belt change.

To learn more, visit the Professional Technician section of Gates website.

How a tensioner works and when to replace it

The vast majority of vehicles with serpentine belt front end drives – over 100 million – use automatic belt tensioners.

Tensioners are built into the drive system for several reasons. They are designed to:

- Maintain proper tension for the life of the belt.
- Reduce maintenance by eliminating the need to manually retension belts on a periodic basis.
- Provide consistent and correct belt tension, thereby increasing the bearing life of the accessories.
- Prevent belt slip. A belt that slips can be noisy, can have reduced service life and can cause accessories to function improperly.

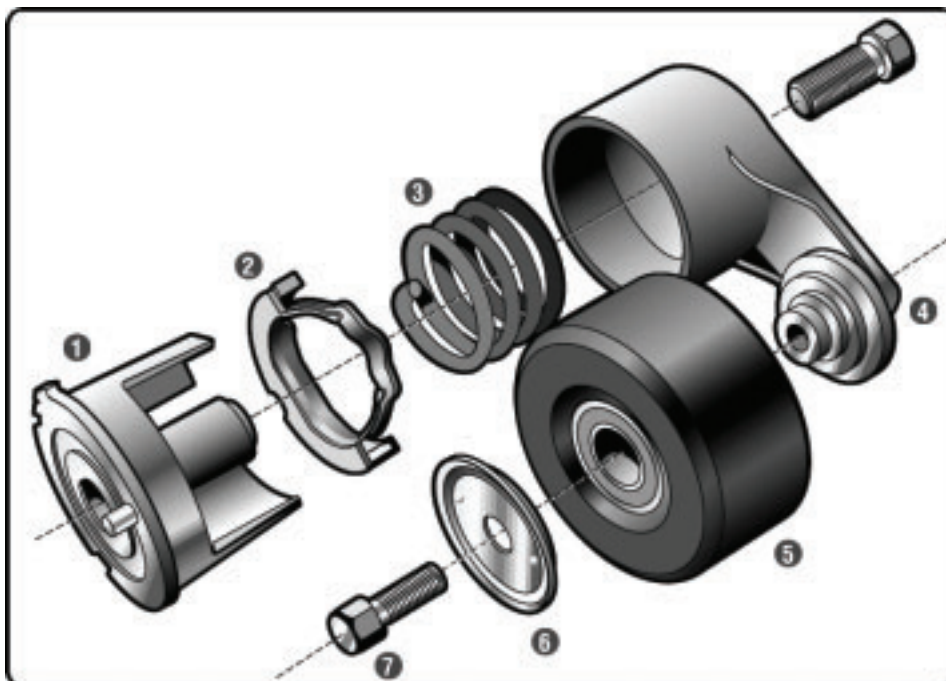
Tension is provided by a powerful spring located within a small canister-like housing and the tensioning arm. The arm pivots around the spring housing and generates a constant belt tension. The pulley is attached to the arm.

The spring-loaded tensioner consists of seven parts:

1. Base: stationary part of the tensioner that is bolted to the engine block or an accessory. Base designs vary. Some base components are very complicated and may include bracketry or conduits that carry engine coolant.
2. Damping Mechanism: a composite mechanism that smoothes system vibrations. Tensioners with worn out damping mechanisms need to be replaced.
3. Tension Spring: preloaded at the factory, it provides force to tension the belt.
4. Arm: connects the spring to the tensioner pulley.
5. Pulley/Bearings: the pulley is made of thermoplastic or steel, and may be grooved, flat or flat with flanges. Pulley surfaces should be inspected regularly for damage or wear. For a pulley to function properly, the bearings must be properly lubricated. The most frequent cause of pulley failure is loss of lubrication in the bearings. Do not attempt to put new bearings in to an old pulley.
6. Sealing Disk: prevents internal contamination to the bearings.
7. Bolt: connects the pulley to the arm.

Tensioners, like any other part, don't last forever. To reduce belt warranty problems, comebacks and labor claims, Gates Corporation engineers recommend that the serpentine belt and its automatic tensioner be replaced at the same time.

It is highly probable that the source of belt system damage (excessive belt wear, tension loss, vibration, misalignment, etc.) is the result of a worn tensioner.



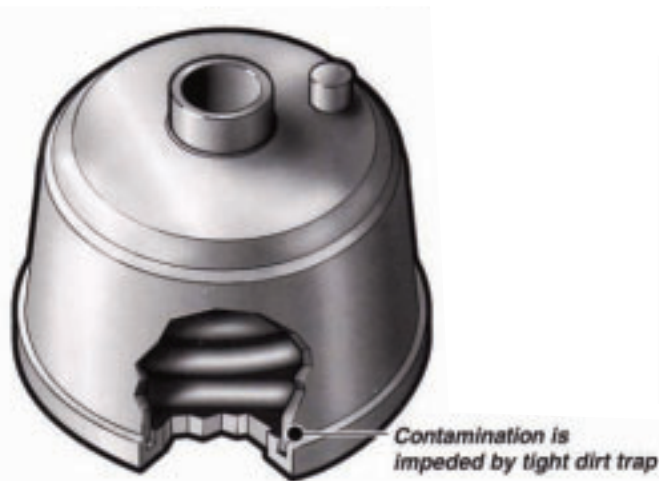
The Technical Truth About Belt Tensioners

Round torsional spring vs. flat spring tensioners - which has fewer contamination problems?

A flat spring's worst enemy is contamination by dirt and grime. It can cause a flat spring tensioner to "seize" and is one of the key causes of failure. Advanced design engineering in round torsional spring tensioners virtually eliminates the chance of contamination, making it the choice of more OEM manufacturers. Here's why:

Round Torsional Spring Tensioner

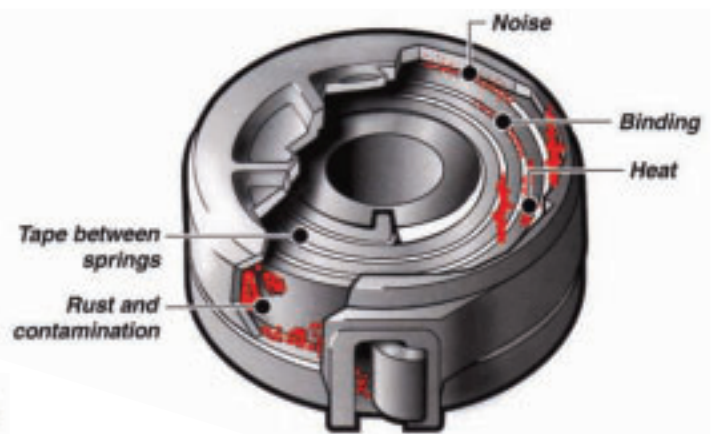
1. Torsion spring design is not affected by contaminants because of the spacing between the spring coils.



Advanced "labyrinth" sealing systems on new round torsional spring designs eliminate the need for rubber plugs and have virtually eliminated the possibility of contaminants penetrating a tensioner. This solid sealing aluminum design does not break down over time.

Flat Spring Tensioner

1. Flat spring design is subject to failure due to contamination because dirt and grime can lodge between coils. Particles become trapped, causing the tensioner spring to seize.



Flat spring designs incorporate the use of rubber plugs to prevent tensioner contamination. Rubber plugs can dry up, crack or fallout. Aftermarket flat spring tensioners still use rubber plugs to prevent contamination.

Why Choose Gates?

Gates builds only round spring automatic belt tensioners. Each with the advanced labyrinth sealing system that deters contamination. Unlike so-called "universal" tensioners, Gates tensioners look, fit and perform like the OE, and require no retrofitting to make them work. Gates tensioners bolt on just like the tensioner you took off. Choosing the right tensioners is easier when you choose Gates.

The Technical Truth About Belt Tensioners

Round torsional spring versus flat spring technology which has greater technical advantages?

How Important is Damping?

Tensioner construction has a lot to do with how quietly a vehicle operates. Round torsional springs with damping mechanisms are the OEM choice for long life and quiet operation in automotive applications. Here's why:

A tensioner damper acts as an accessory drive shock absorber. Shock absorbers on suspension systems reduce unwanted wheel vibrations and increase tire life. Dampers do the same for the belt drive, reducing noise and vibration, and extending the life of the belt, tensioner, and accessory bearings. No one would buy a car without shock absorbers, why would you buy a tensioner without a damper?

All original equipment tensioners designed for car manufacturers must meet NVH standards. Reduction of NVH - noise, vibration and harshness - requires a damping mechanism to reduce tensioner motion and minimize system vibration. Most OE tensioners - including round spring and flat spring designs - have dampers. But here's the difference: Dampers are removed from aftermarket "universal fit" flat spring tensioners for cars and light trucks to reduce cost.

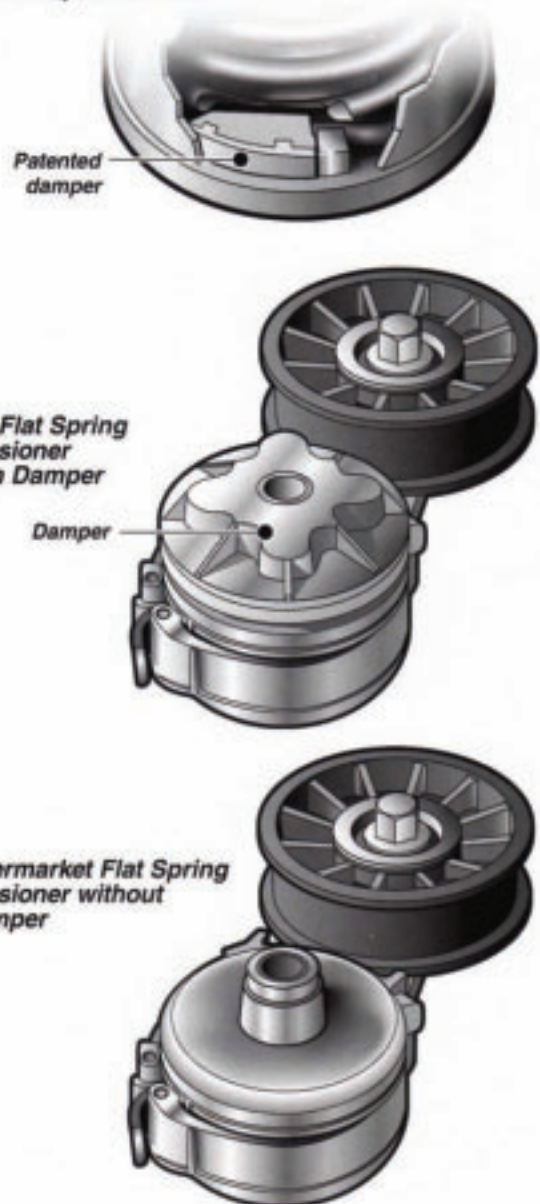
Why Choose Gates?

Gates DriveAlign® Tensioners are built with damping mechanisms that provide the quiet operation demanded by OEMs. Quiet operation means fewer comebacks and more satisfied customers. Unlike so-called "universal fit" tensioners, Gates tensioners fit and perform like the OE, and require no retrofitting to make them work. Gates tensioners bolt on just like the tensioner you took off.

Gates now also carries a new line of DriveAlign tensioners for heavy-duty trucks and other off-road applications.

For more information, contact your Gates representative.

Dampers in Gates DriveAlign® tensioners extend the life of accessory drive belts



Tensioning Ranges: FIXED Tensioners Only

V-Belt Tensioning Range

Temp range = -35°C to 100°C neoprene (ref: Industrial engine products manual)

TOP WIDTH (MM)	TENSION RANGE (KG)	INSTALLATION TENSION USED BELTS (KG)	INSTALLATION TENSION NEW BELTS (KG)
10/11A	40-50	45	55
13A	45-65	55	70
15A	60-80	65	85
17A	70-90	75	95
20A	80-100	85	110
22A	85-110	90	120
25A	95-125	100	135

NOTE: A belt is considered 'used' once it has been 'run-in'.

Belt re-tensioning is required after initial installation if tension drops below the specified operating range.

Micro-V Belt Tensioning Range

Temp range G/S = -45°C to 120°C neoprene G/S)

Fleet Runner = -45°C to 120°C

NUMBER OF RIBS	TENSION RANGE (KG)	INSTALLATION TENSION USED BELTS (KG)	INSTALLATION TENSION NEW BELTS (KG)
4	30-35	40	55
5	35-45	50	65
6	40-55	60	85
8	55-70	80	100
10	70-90	100	130

Many serpentine belts are automatically tensioned by a spring-loaded tensioner. The above tension ranges are for applications that require manual tensioning.

NOTE: A belt is considered 'used' once it has been 'run-in'.

Belt re-tensioning is required after initial installation if tension drops below the specified operating range.

Abbreviations

2WD	Two Wheel Drive	MPI	Multi Point Injection
4WD	Four Wheel Drive	OD	Outside Diameter
AC	Air Conditioner	OE	Original Equipment
Alt.	Alternator	OHV	Overhead Valve
AP	Air Pump	Org. #	Organisation Number
Auto	Automatic	PFI	Port Fuel Injection
Carb.	Carburettor	PS	Power Steering
CH #	Chassis Number	PTO	Power Take Off
Comp.	Compressor	Pull.	Pulley
Con.	Conditioning	S/C	Supercharger
Cool.	Cooling	Ser. #	Serial Number
Cyl.	Cylinder	SF	Stretch Fit
Dia.	Diameter	SOHC	Single Overhead Camshaft
DOHC	Double Overhead Camshaft	SPFI	Sequential Multi Point Fuel Injection
EFI	Electronic Fuel Injection	Std.	Standard
Eng.	Engine	Stg.	Steering
Exc.	Excludes	T.W.	Top Width
GDI	Gasoline Direct Injection	Ten.	Tensioner
Gen.	Generator	Trans.	Transmission
H.D.	Heavy Duty	Turbo	Turbocharger
Hyd.	Hydraulic	v	Valve
INJ	Injection	VAC Pump	Vacuum Pump
Inst.	Installation	VP	Vacuum Pump
Kw	Kilowatt	V-Pump	Vacuum Pump
LA	Lever Adjustment	VVT	Variable Valve Timing
Lev. Adj.	Lever Adjustment	w/	With
LPG	Liquid Petroleum Gas	w/o	Without
Man.	Manual	Wgn.	Wagon
MPFI	Multi Point Fuel Injection	WP	Water Pump

APPLICATION SECTION

Model	Year	Variant	Engine	Engine Code	Description	Part Number
ALFA ROMEO						
147	2001-05		2.0L 4 Cyl. 16v DOHC EFI	AR3231	Serp.	6PK1970
147	2003-07		3.2L V6 24v DOHC EFI	932A0	Serp.	6PK1995
					Tensioner	38473
147	2005-06		1.9L 4 Cyl. 16v DOHC Turbo Diesel	937A5	Serp.	6PK1840
147	2005-07		2.0L 4 Cyl. 16v DOHC EFI	AR3231	Serp.	6PK1970
156	1999-03	WAGON	2.5L V6 24v DOHC EFI	AR3240	Serp.	6PK1995
					Tensioner	38473
156	1999-03		2.0L 4 Cyl. 16v DOHC EFI	AR3230	Serp. - w/ AC	7PK1970
					Serp. - w/o AC	7PK1090
156	1999-03		2.0L 4 Cyl. 16v DOHC EFI	AR3231	Serp. - w/ AC	6PK1980
					Serp. - w/o AC	6PK1955
156	1999-06		2.5L V6 24v DOHC EFI	AR3240	Serp.	6PK1995
					Tensioner	38473
156	2000-03	WAGON	2.0L 4 Cyl. 16v DOHC EFI	AR3230	Serp. - w/ AC	7PK1970
					Serp. - w/o AC	7PK1090
156	2000-03	WAGON	2.0L 4 Cyl. 16v DOHC EFI	AR3231	Serp. - w/ AC	6PK1980
					Serp. - w/o AC	6PK1955
156	2002-05		3.2L V6 24v DOHC EFI	932A0	Serp.	6PK1995
					Tensioner	38473
159	2006-07		2.2L 4 Cyl. 16v DOHC Direct Inj.	939A5	Serp.	5PK1065
159	2006-09		3.2L V6 V6 24v DOHC Direct Inj.	939A0	Serp.	6PK1995
159	2007-09		2.4L 5 Cyl. 20v DOHC Turbo EFI	939A3	Serp.	6PK1590
164	1988-00		3.0L V6 12v SOHC EFI	AR06410	Alt. - w/ AC	11A0750
					Alt. & WP - w/o AC	13A0980
					AC	13A1055
					PS	11A0785
166	1999-04		3.0L V6 24v DOHC EFI	AR36101	Serp.	6PK1995
33	1984-88	FWD	1.5L 4 Cyl. 8v SOHC Carb.	AR30588	Alt. & WP	11A0865
					PS	11A0825
					PS	11A0825
33	1984-88		1.7L 4 Cyl. 8v SOHC EFI	AR30552	Alt. & WP	11A0850
					PS	11A0825
33	1987-92	4WD	1.7L 4 Cyl. 16v DOHC EFI	AR30746	Alt. & WP	11A0850
					AC	13A0955
					PS	11A0825
75	1985-93		2.0L 4 Cyl. 16v DOHC EFI	AR06224	Alt. & WP	11A0825
					AC	13A0840
					PS	13A1105
75	1985-90		2.5L V6 12v SOHC EFI	AR01648	Alt. & WP	11A0840
					AC	13A0915
					PS	11A1005
75	1988-91		3.0L V6 12v SOHC EFI	AR61503	Alt. & WP	11A0840
					AC	13A0915
					PS	11A1005
90	1986-90		2.5L V6 12v SOHC EFI	AR01646	Alt. & WP	11A0840
					AC	13A0915
					PS	11A1005
90	1986-90		2.5L V6 12v SOHC EFI	AR01911	Alt. & WP	11A0840
					AC	13A0915

Model	Year	Variant	Engine	Engine Code	Description	Part Number
ALFA ROMEO CONTINUED						
ALFASUD	1974-77		1.2L 4 Cyl. 8v SOHC Carb.	AS3010	Alt. & Fan	11A0890
ALFASUD	1978-84		1.4L 4 Cyl. 8v SOHC Carb.	AS3016	Alt. & Fan	11A0890
ALFASUD	1979-85		1.3L 4 Cyl. 8v SOHC Carb.	AS3018	Alt. & Fan	11A0890
ALFASUD	1979-90		1.5L 4 Cyl. 8v SOHC Carb.	AS3012	Alt. & Fan	11A0915
ALFETTA	1975-78		1.8L 4 Cyl. 16v DOHC Carb.	AR01608	Alt. & Fan	11A0825
					AC	13A1245
ALFETTA	1975-86		2.0L 4 Cyl. DOHC Carb.	AR01655	Alt. & Fan	11A0825
					AC	13A1245
ALFETTA	1976-79	GTV	2.0L 4 Cyl. 16v DOHC Carb.	AR01623	Alt. & Fan	11A0825
					AC	13A1245
ALFETTA	1983-86	GTV	2.0L 4 Cyl. DOHC Carb.	AR01623	Alt. & Fan	11A0825
					AC	13A1245
BRERA	2006-07		2.2L 4 Cyl. 16v DOHC Direct Inj.	939A5	Serp.	6PK1065
BRERA	2006		3.2L V6 24v DOHC Direct Inj.	939A0	Serp.	6PK1995
GIULIETTA	1981-84	FWD	1.8L 4 Cyl. 8v DOHC Carb.	AR01678	Alt. & Fan	11A0825
					AC	13A1245
GIULIETTA	1983-85	RWD	2.0L 4 Cyl. 8v DOHC Carb.	AR01655	Alt. & Fan	11A0825
					AC	13A1245
GT	2003-06		3.2L V6 24v DOHC EFI	932A0	Serp.	6PK1995
					Tensioner	38473
GTV	1981-86		2.0L 4 Cyl. 16v DOHC Carb.	AR01655	Alt. & WP	11A0825
GTV	1982-87		2.5L V6 12v SOHC EFI	AR01646	Alt. & WP	11A0850
					AC	13A0915
					PS	11A1005
GTV	1998-03	CONVERTIBLE	3.2L V6 24v DOHC EFI	936A0	Serp.	6PK1995
					Tensioner	38473
GTV	1998-03		2.0L 4 Cyl. 16v DOHC EFI	AR1620	Serp. - w/ AC	7PK1970
					Serp. - w/o AC	7PK1090
GTV	1998-03		* 3.0L V6 24v DOHC EFI	AR1610	Serp.	6PK1995
					Tensioner	38473
GTV	2003-06	CONVERTIBLE	2.0L 4 Cyl. 16v DOHC EFI	937A1	Serp. - w/ AC	6PK1970
SPIDER	1967-77	GT CONVERTIBLE	1.8L 4 Cyl. 16v DOHC Carb.	AR00548	Alt.	11A0735
SPIDER	1971-77	CONVERTIBLE	2.0L 4 Cyl. 16v DOHC Carb.	AR00512	Alt.	11A0735
SPIDER	1974-77	CONVERTIBLE	1.6L 4 Cyl. 16v DOHC Carb.	AR00536	Alt.	11A0735
SPIDER	1998-03	CONVERTIBLE	2.0L 4 Cyl. 16v DOHC EFI	AR1620	Serp. - w/ AC	7PK1970
					Serp. - w/o AC	7PK1090
SPIDER	1998-03	CONVERTIBLE	2.0L 4 Cyl. 16v DOHC EFI	AR3231	Serp.	6PK1970
SPIDER	1998-03	CONVERTIBLE	3.0L 6 Cyl. V6 24v DOHC EFI	AR1610	Tensioner	38473
SPIDER	1998-03	CONVERTIBLE	3.2L 6 Cyl. V6 24v DOHC EFI	936A0	Serp.	6PK1995
					Tensioner	38473
SPIDER	2001-04	CONVERTIBLE	3.0L V6 24v DOHC	AR3430	Serp.	6PK1995
SPIDER	2003-06	CONVERTIBLE	2.0L 4 Cyl. 16v DOHC EFI	937A1	Serp.	6PK1970
SPIDER	2006-08		2.2L 4 Cyl. 16v DOHC Direct Inj.	939A5	Serp.	5PK1065
SPIDER	2006-08		2.2L 4 Cyl. 16v DOHC Direct Inj.	939A5	Serp.	5PK1065
ASIA						
ROCSTA	1994-97	UTILITY	1.8L 4 Cyl. 8v SOHC EFI	F8	Alt. & Fan	13A0940
ROCSTA	1994-97	UTILITY	2.2L 4 Cyl. 8v SOHC Diesel	R2	Alt. & Fan	13A1145

* = NZ Vehicles Only

Model	Year	Variant	Engine	Engine Code	Description	Part Number
AUDI						
80	1984-86		1.6L 4 Cyl. 8v SOHC Carb.	FP	Alt.	11A0940
					AC	13A0825
					PS - Upto Ch. #81G160000	11A0760
					PS - From Ch. #81G160001	11A0850
80	1984-87		1.8L 4 Cyl. SOHC EFI	JN	Alt.	11A0940
					AC	13A0825
					PS	11A0850
					WP	11A0950
80	1986-87		1.8L 4 Cyl. SOHC EFI	JN	Alt.	11A0940
					AC	13A0825
					PS	11A0850
					WP	11A0950
80	1987-89		1.8L 4 Cyl. SOHC EFI	JN	Alt.	11A0940
					AC	13A0825
					PS	11A0850
					WP	11A0950
80	1988-89		1.8L 4 Cyl. 8v SOHC EFI	SD	AC	13A0795
					PS	11A0850
					WP	11A0950
80	1989-91		2.0L 4 Cyl. 8v SOHC EFI	3A	Alt. & WP	11A0950
					AC	13A0800
					PS	11A0850
80	1989-92		2.0L 4 Cyl. 8v SOHC EFI	AAD	Alt.	4PK855
					PS & WP	11A0915
80	1990-94		2.3L 5 Cyl. 10v SOHC EFI	NG	Alt. & WP	11A0865
					AC	13A0925
					PS	13A1005
80	1992-94	B4	2.8L V6 12v SOHC EFI	AAH	Serp.- 91-10/93	6PK2260
					Serp.- 10/94-95	6PK1865
					Serp.- 10/93-10/94	6PK1905
					Idler Pulley	36141
					Idler Pulley	38078
80	1992-95	CABRIOLET	2.0L 4 Cyl. 8v SOHC EFI	ABK	Alt.	4PK855
					AC	13A0800
					PS	11A0915
80	1992-95	CABRIOLET	2.0L 4 Cyl. 8v SOHC EFI	ABK	Alt.	4PK855
					AC	13A0800
					PS	11A0915
80	1992-93		2.3L 5 Cyl. 10v SOHC EFI	HX	AC	13A1015
					PS	11A0915
					WP	11A0875
80	1992-95		2.6L V6 12v SOHC MPFI	ABC	Serp.- 91-10/93	6PK2260
					Serp.- 10/93-10/94	6PK1905
					Serp.- 10/94-95	6PK1865
					Tensioner	38193
80	1993-94	CABRIOLET	2.3L 5 Cyl. 10v SOHC EFI	NG	Alt. & WP	11A0865
					AC	13A0925
					PS	13A1005
80	1993-98	QUATTRO	2.6L V6 12v SOHC MPFI	ABC	Tensioner	38193

Model	Year	Variant	Engine	Engine Code	Description	Part Number
AUDI CONTINUED						
80	1994-99	CABRIOLET	2.6L V6 12v SOHC MPFI	ABC	Serp.- 91-10/93	6PK2260
					Serp.- 10/93-10/94	6PK1905
					Serp.- 10/94-95	6PK1865
					Tensioner	38193
90	1985-87		* 2.0L 5 Cyl. 10v SOHC EFI	KP	Alt.	11A0815
90	1989-90	QUATTRO	2.3L 5 Cyl. 20v DOHC EFI	7A	Alt.	11A0865
					AC	13A0925
					PS	13A0990
90	1989-91		2.3L 5 Cyl. 10v SOHC EFI	HX	Alt.	11A0865
					AC	13A0925
					PS	13A0990
90	1989-92		2.3L 5 Cyl. 10v SOHC EFI	NG	Alt.	11A0865
					AC	13A0925
					PS	13A0990
90	1989-91		2.3L 5 Cyl. 25v DOHC EFI	NO	Alt.	11A0865
					AC	13A0925
					PS	13A0990
100	1983-85		2.1L 5 Cyl. 10v SOHC EFI	KF	Alt.	11A0825
					Alt.	11A0875
					AC	13A0915
					PS	13A0955
100	1985-92	AVANT	2.2L 5 Cyl. 10v SOHC EFI	HX	Alt.	11A0825
					AC	13A0915
					PS	13A0950
100	1985-89	QUATTRO 4WD	2.2L 5 Cyl. 10v SOHC EFI	KU	Alt.	11A0825
					AC	13A0915
					PS	13A0955
100	1985-92	AVANT	2.2L 5 Cyl. 10v SOHC EFI	HX	Alt.	11A0825
					AC	13A0915
					PS	13A0950
100	1988-91	AVANT	2.3L 5 Cyl. 15v SOHC MPFI	NF	Alt.	11A0825
					AC	13A0925
					PS - w/ AC	13A1005
					PS - w/o AC	13A0955
100	1988-91	AVANT	2.3L 5 Cyl. 15v SOHC MPFI	NF	Alt.	11A0825
					AC	13A0925
					PS - w/ AC	13A1005
					PS - w/o AC	13A0955
100	1992-94	QUATTRO 4WD	2.8L V6 12v SOHC EFI	AAH	Serp.- 4WD	6PK1905
					Idler Pulley	36141
					Idler Pulley	38078
100	1992-94	QUATTRO 4WD	2.8L V6 12v SOHC EFI	AAH	Serp.	6PK2260
					Idler Pulley	36141
					Idler Pulley	38078
100	1993-94	AVANT	2.8L V6 12v SOHC EFI	AAH	Serp.- 4WD	6PK1905
					Idler Pulley	36141
					Idler Pulley	38078
100	1993-94	AVANT	2.8L V6 12v SOHC EFI	AAH	Serp.	6PK2260
					Serp.- 4WD	6PK1905
					Idler Pulley	36141

* = NZ Vehicles Only

Model	Year	Variant	Engine	Engine Code	Description	Part Number
AUDI CONTINUED						
100	1993-94	C4	2.6L V6 12v SOHC MPFI	ABC	Serp.	6PK2260
					Serp. - 4WD	6PK1905
					Tensioner	38193
					Idler Pulley	38078
200	1980-89		2.1L 5 Cyl. 10v SOHC Turbo EFI	KG	Alt.	11A0800
					AC & PS	13A0925
200T	1987-90	TURBO	2.3L 5 Cyl. 10v SOHC Turbo EFI	MC	Alt.	11A0825
					AC	13A0925
					PS - w/ AC	13A1005
					PS - w/o AC	13A0955
A3	1997-01		1.6L 4 Cyl. 8v SOHC MPFI	AEH	Serp. - w/ AC	6DPK1195
					Serp. - w/o AC	6PK1125
					Tensioner Pulley	36101
A3	1997-01		1.8L 4 Cyl. 20v DOHC EFI	AGN	Serp. - w/ AC	6DPK1195
					Serp. - w/o AC	6PK1125
					Tensioner	38148
A3	1997-04		1.8L 4 Cyl. 20v DOHC Turbo EFI	AGU	Serp. - w/ AC	6DPK1195
					Serp. - w/o AC	6PK1125
					Tensioner Pulley	36101
A3	1997-99		1.8L 4 Cyl. 8v SOHC EFI	AGN	Serp. - w/ AC	6DPK1195
					Serp. - w/o AC	6PK1125
A3	1998-99		1.8L 4 Cyl. 20v DOHC Turbo EFI	AEB	Serp. - w/ AC	6DPK1195
					Serp. - w/o AC	6PK1125
A3	1999-04		1.6L 4 Cyl. 8v SOHC EFI	AKL	Serp. - w/ AC	6DPK1195
					Serp. - w/o AC	6PK1125
					Tensioner Pulley	36101
A3	2000-03		1.8L 4 Cyl. 20c DOHC EFI	APG	Serp. - w/ AC	6DPK1195
					Serp. - w/o AC	6PK1125
A3	2001-02		1.6L 4 Cyl. 8v SOHC EFI	AVU	Tensioner Pulley	36101
A3	2004-05	QUATTRO	3.2L V6 24v DOHC MPFI	BDB	Serp. - w/ AC	6PK1625
					Serp. - w/o AC	6PK1245
					Alt. - w/o AC	6PK955
A3	2004-05		1.6L 4 Cyl. 8v SOHC MPFI	BGU	Serp. - w/ AC	6PK1040
					Serp. - w/o AC	6PK900
					Tensioner Pulley	36101
A3	2004-06		2.0L 4 Cyl. 16v DOHC EFI	BMB	Serp. - w/ AC	6PK1040
					Serp. - w/o AC	6PK900
A3	2004-07		2.0L 4 Cyl. 16v DOHC EFI	BLY	Tensioner Pulley	36101
A3	2004-06		2.0L 4 Cyl. 16v DOHC Turbo EFI	AXX	Alt. - w/ AC	6PK1050
					Alt. - w/o AC	6PK955
A3	2004-06		2.0L 4 Cyl. 16v DOHC Turbo EFI	BKD	Serp. - w/ AC	6PK1050
					Serp. - w/o AC	6PK955
A3	2005-07	QUATTRO RS3	3.2L V6 24v DOHC VVT MPFI	BMJ	Serp. - w/ AC	6PK1625
					Serp. - w/o AC	6PK1245
					Alt. - w/o AC	6PK955
A3	2006-07	QUATTRO RS3	3.2L V6 24v DOHC EFI	BUB	Serp. - w/ AC	6PK1625
					Serp. - w/o AC	6PK1245
					Alt. - w/o AC	6PK955
					Tensioner	38450

Model	Year	Variant	Engine	Engine Code	Description	Part Number
AUDI CONTINUED						
A3	2006-07		2.0L 4 Cyl. 16v DOHC Turbo EFI	BMN	Serp. - w/ AC	6PK1050
					Serp. - w/o AC	6PK955
A4	1995-00	AVANT	1.8L 4 Cyl. 20v DOHC Turbo EFI	AEB	Alt. & PS	5PK1295
					AC	4PK855
					WP	13A0528
					Tensioner	38151
					Idler Pulley AC	38068
A4	1995-96	B5	1.8L 4 Cyl. 20v DOHC EFI	AGU	Alt.	5PK1295
					AC	4PK855
					WP	11A0530
A4	1995-00	AVANT	1.8L 4 Cyl. 20v DOHC Turbo EFI	AEB	Alt. & PS	5PK1295
					AC	4PK855
					WP	13A0528
					Tensioner	38151
					Idler Pulley AC	38068
A4	1995-01		1.8L 4 Cyl. 20v DOHC EFI	ADR	Alt. & PS	5PK1295
					AC	4PK855
					W/P	11A0530
					Idler Pulley	36141
A4	1995-00	AVANT	1.8L 4 Cyl. 20v DOHC Turbo EFI	AEB	Alt. & PS	5PK1295
					AC	4PK855
					WP	13A0528
					Tensioner	38151
					Idler Pulley AC	38068
A4	1995-98		2.6L V6 12v SOHC MPFI	ABC	Serp. - w/ AC	6PK1885
					Tensioner	38193
					Idler Pulley	36141
A4	1996-98	AVANT	2.6L V6 12v SOHC MPFI	ABC	Serp. - w/ AC	6PK1885
					Tensioner	38193
					Idler Pulley	36141
A4	1996-98	AVANT	2.6L V6 12v SOHC MPFI	ABC	Serp. - w/ AC	6PK1885
					Tensioner	38193
					Idler Pulley	36141
A4	1996-98	AVANT	2.6L V6 12v SOHC MPFI	ABC	Serp. - w/ AC	6PK1885
					Tensioner	38193
					Idler Pulley	36141
A4	1997-99	AVANT	1.8L 4 Cyl. 20v DOHC EFI	ADR	Alt. & PS	5PK1295
					AC	4PK855
					W/P	11A0530
					Idler Pulley	36141
A4	1997-01	QUATTRO	2.8L V6 30v DOHC MPFI	ACK	Serp.	6PK1885
					Idler Pulley	36141
A4	1998-01	AVANT	1.8L 4 Cyl. 20v DOHC Turbo EFI	AJL	Alt. & PS	5PK1295
					AC	4PK855
					Tensioner	38151
					Tensioner	38207
					Idler Pulley AC	38068
A4	1998-02	AVANT QUATTRO	2.4L V6 30v DOHC MPFI	AGA	Serp.	6PK1885
					Idler Pulley	36141

* = NZ Vehicles Only

Model	Year	Variant	Engine	Engine Code	Description	Part Number
AUDI CONTINUED						
A4	1998-02	B5 AVANT/ QUATTRO	4.2L V8 24v DOHC MPFI	AGA	Serp.	6PK2655
					Idler Pulley	36141
A4	1998-03	B5 QUATTRO	4.2L V8 24v DOHC MPFI	AGA	Serp.	6PK2655
					Idler Pulley	36141
A4	1998-01	AVANT	1.8L 4 Cyl. 20v DOHC Turbo EFI	AJL	Alt. & PS	5PK1295
					AC	4PK855
					Tensioner	38151
					Tensioner	38207
					Idler Pulley AC	38068
A4	1998-03	QUATTRO	2.4L V6 30v DOHC MPFI	AGA	Serp.	6PK1885
					Idler Pulley	36141
A4	1999-01	B5	1.8L 4 Cyl. 20v DOHC Turbo EFI	APU	Alt.	5PK1295
					AC	4PK855
					WP	11A0530
A4	2000-01	AVANT (B5)	1.8L 4 Cyl. 20v DOHC EFI (Turbo)	ADR	Alt. & PS	5PK1295
					AC	4PK855
A4	2000-05	B5	1.8L 4 Cyl. 20v DOHC VVT Turbo EFI	AEB	Serp.	6PK1590
A4	2001-02	B5 4WD	1.8L 4 Cyl. 20v DOHC Turbo EFI	AVJ	Serp. - w/ AC - Upto Ch. # 8E-4-191000	6PK1590
					Serp. - w/ AC - From Ch. # 8E-4-191001	6PK1575
					Serp. - w/o AC	6PK1080
A4	2001-06	B6	2.0L 4 Cyl. 20v DOHC MPFI	Alt.	Serp.	6PK1590
A4	2001-06	B6	2.0L 4 Cyl. 20v DOHC MPFI	Alt.	Serp.	6PK1590
A4	2001-04	B6 QUATTRO	3.0L V6 30v DOHC VVT MPFI	ASN	Serp.	6PK1885
A4	2001-03	FWD	1.8L 4 Cyl. 20v DOHC Turbo EFI	AVJ	Serp. - w/ AC - Upto Ch. # 8E-4-191000	6PK1590
					Serp. - w/ AC - From Ch. # 8E-4-191001	6PK1575
					Serp. - w/o AC	6PK1080
A4	2002-07	AVANT	1.8L 4 Cyl. 20v DOHC EFI	BFB	Serp. From Ch. # 8H-4-018001	6PK1575
A4	2002-05	AVANT B5	2.4L V6 24v DOHC EFI	BDV	Serp.	6PK1885
A4	2002-05	AVANT B5	2.4L V6 24v DOHC EFI	BDV	Serp.	6PK1885
A4	2002-04	B6 CABRIOLET	3.0L V6 30v DOHC VVT MPFI	ASN	Serp.	6PK1885
A4	2002-07	AVANT	1.8L 4 Cyl. 20v DOHC EFI	BFB	Serp. From Ch # 8H-4-018001	6PK1575
A4	2003-07	AVANT	1.8L 4 Cyl. 20v DOHC EFI	ADR	Tensioner	38207
A4	2003-05	AVANT/ QUATTRO B6	1.8L 4 Cyl. 16v DOHC Turbo EFI	BEX	Serp.	6PK1590
A4	2003-07	AVANT	1.8L 4 Cyl. 20v DOHC EFI	ADR	Tensioner	38207
A4	2004-07	AVANT/ QUATTRO	3.2L V6 24v DOHC EFI	AUK	Serp.	6PK2415
					Tensioner	38423
A4	2004-07	AVANT/ QUATTRO	3.2L V6 24v DOHC EFI	AUK	Serp.	6PK2415
					Tensioner	38423
A4	2005-07	B6 QUATTRO	2.0L 4 Cyl. 20v DOHC VVT Turbo EFI	BGB	Serp.	6PK1575
A4	2005-07	B7	3.2L V6 24v DOHC EFI	AUK	Serp.	6PK2415
					Tensioner	38423
A4	2005-06		2.0L 4 Cyl. 16v DOHC Turbo EFI	BLB	Serp.	6PK1620
A4	2006-07	CONVERTIBLE	3.2L V6 24v DOHC EFI	AUK	Serp.	6PK2415
					Tensioner	38423

* = NZ Vehicles Only

Model	Year	Variant	Engine	Engine Code	Description	Part Number
AUDI CONTINUED						
A4	2006-07	CONVERTIBLE	3.2L V6 24v DOHC EFI	AUK	Serp.	6PK2415
					Tensioner	38423
A5	2007-08		4.2L 8 Cyl. V8 32v DOHC Direct Inj.	CAL	Tensioner	38423
A6	1994-97	AVANT	2.6L V6 12v SOHC MPFI	ABC	Serp. - w/ AC - 1994-07/94 (To Ch. # 4A-S-020000)	6PK1905
					Serp. - w/ AC - 07/94-12/95 From Ch. # 4A-S-020001 To Ch # 4A-T-046054	6PK1865
					Tensioner	38193
A6	1994-98	AVANT	2.6L V6 30v DOHC MPFI	ABC	Serp.	6PK1865
A6	1994-98	AVANT/ QUATTRO	2.6L V6 12v SOHC MPFI	ABC	Serp. - w/ AC - 1994-07/94 (To Ch. # 4A-S-020000)	6PK1905
					Serp. - w/ AC - 07/94-12/95 From Ch. # 4A-S-020001 To Ch # 4A-T-046054	6PK1865
					Tensioner	38193
A6	1994-97	AVANT	2.6L V6 12v SOHC MPFI	ABC	Serp. - w/ AC - 1994-07/94 (To Ch. # 4A-S-020000)	6PK1905
					Serp. - w/ AC - 07/94-12/95 From Ch. # 4A-S-020001 To Ch # 4A-T-046054	6PK1865
					Tensioner	38193
A6	1994-00	QUATTRO	2.8L V6 30v DOHC MPFI	ACK	Serp.	6PK1885
					Tensioner	38193
					Idler Pulley	36141
A6	1994-97	AVANT	2.6L V6 12v SOHC MPFI	ABC	Serp. - w/ AC - 1994-07/94 (To Ch. # 4A-S-020000)	6PK1905
					Serp. - w/ AC - 07/94-12/95 From Ch. # 4A-S-020001 To Ch # 4A-T-046054	6PK1865
					Tensioner	38193
A6	1994-97		2.6L V6 30v DOHC MPFI	ABC	Serp.	6PK1865
A6	1995-00	QUATTRO	3.7L V8 40v DOHC MPFI	ABZ	Serp.	5PK1105
					Idler Pulley	38093
A6	1997-02	C5 AVANT	2.4L V6 30v DOHC MPFI	AGA	Serp. - w/ AC	6PK1885
					Idler Pulley	36141
					Idler Pulley	38093
A6	1997-02	C5 AVANT	2.4L V6 30v DOHC MPFI	AGA	Serp. - w/ AC	6PK1885
					Idler Pulley	36141
					Idler Pulley	38093
A6	1997-02	C5 QUATTRO	2.8L V6 30v DOHC MPFI	ACK	Serp.	6PK1885
					Tensioner	38193
					Idler Pulley	36141
A6	1997-00		3.7L V8 40v DOHC MPFI	ABZ	Serp.	5PK1105
					Idler Pulley	38093
A6	1998-02	C5 QUATTRO/ AVANT	2.8L V6 30v DOHC MPFI	ACK	Serp.	6PK1885
					Tensioner	38193
					Idler Pulley	36141

* = NZ Vehicles Only

Model	Year	Variant	Engine	Engine Code	Description	Part Number
AUDI CONTINUED						
A6	1999-02	AVANT/ QUATTRO	4.2L V8 40v DOHC MPFI	ARS	Serp.	6PK2690
					Idler	38093
A6	1999-02	AVANT QUATTRO	4.2L V8 40v DOHC MPFI	ARS	Serp.	6PK2690
					Idler	38093
A6	2001-04	B6 AVANT QUATTRO	3.0L V6 30v DOHC VVT MPFI	ASN	Serp.	6PK1885
A6	2001-04	B6 AVANT QUATTRO	3.0L V6 30v DOHC VVT MPFI	ASN	Serp.	6PK1885
A6	2001-04	QUATTRO	3.0L V6 30v DOHC MPFI	BBJ	Serp.	6PK1930
A6	2002-04	4B 4WD	3.0L V6 30v DOHC MPFI	BBJ	Serp.	6PK1930
A6	2002-04	4B 4WD	3.0L V6 30v DOHC MPFI	BBJ	Serp.	6PK1930
A6	2002-04	4B QUATTRO	2.7L V6 30v DOHC Turbo EFI	ARE	Serp. - w/ AC	6PK1865
					Serp. - w/o AC	6PK1740
					Idler Pulley	36141
					Idler Pulley	38093
A6	2002-04	C6	2.4L V6 30v DOHC MPFI	AGA	Serp. - w/ AC	6PK1885
					Idler Pulley	36141
					Idler Pulley	38093
A6	2004-06	C6	2.4L V6 30v DOHC EFI	BDW	Serp.	6PK2415
					Tensioner	38423
A6	2004-06	QUATTRO	3.0L V6 24v DOHC Turbo Direct Inj.	BMK	Serp. From Ch. # 4F-6100001	6PK2490
					Serp. Upto Ch. # 4F-6100000	6PK2460
A6	2004-06	QUATTRO	4.2L V8 40v DOHC VVT MPFI	BAT	Serp.	5PK1105
					Idler Pulley	38093
A6	2005-07	QUATTRO	3.1L 6 Cyl. V6 24v DOHC EFI	AUK	Tensioner from Ch. # 4F-7-064000	38423
A8	1994		2.8L V6 12v SOHC EFI	AAH	Serp. - w/ AC 09/94-01/95	6PK1865
					Serp. - w/ AC 1994- 09/94	6PK1900
					Serp. - w/o AC 1994-09/94	6PK1675
					Serp. - w/o AC 09/94-01/95	6PK1630
					Idler Pulley	36141
					Idler Pulley	38078
A8	1995-96		2.8L V6 12v SOHC EFI	AAH	Serp. - w/ AC	6PK1885
					Serp. - w/o AC	6PK1755
					Idler Pulley	36141
					Idler Pulley	38078
A8	1995-02		4.2L V8 32v DOHC EFI	ABZ	Serp.	6PK2690
A8	2002-06		4.2L 8 Cyl. V8 32v DOHC EFI	ASG	Idler	38093
A8	2003-07	QUATTRO	3.7L V8 40v DOHC MPFI	BFL	Serp. - Upto Ch. # 4E-3-001501	7PK2535
A8	2003-06	QUATTRO	4.2L V8 40v DOHC MPFI	BFM	Serp. - Upto Ch. # 4E-3-001501	7PK2535
A8	2003-07		3.1L 6 Cyl. V6 24v DOHC VVT Direct Inj.	BPK	Serp.	6PK2460
A8	2006-07	QUATTRO	3.1L 6 Cyl. V6 24v DOHC VVT Direct Inj.	BPK	Serp.	6PK2460
					Tensioner	38423
ALLROAD	2001-06	C5 QUATTRO - WAGON	2.7L V6 30v DOHC Turbo EFI	ARE	Serp.	6PK1865
					Idler Pulley	36141

Model	Year	Variant	Engine	Engine Code	Description	Part Number
AUDI CONTINUED						
ALLROAD	2001-04	QUATTRO	2.5L V6 24v DOHC Turbo EFI	AKE	Serp.	6PK2400
					AC	4PK1210
ALLROAD	2001-05	QUATTRO	2.5L V6 30v DOHC EFI	BAU	Serp.	6PK2415
S4	1993-95		2.2L 5 Cyl. 20v DOHC EFI	AAN	Idler	36141
S4	1998-01	AVANT	2.7L V6 30v DOHC Turbo EFI	AGB	Idler Pulley	36141
S4	1998-01	AVANT	2.7L V6 30v DOHC Turbo EFI	AGB	Idler Pulley	36141
S4	2003-07	QUATTRO	4.2L V8 40v DOHC MPFI	BBK	Serp.	5PK1120
S6	2001-04		4.2L V8 40v DOHC MPFI	AQJ	Idler Pulley	38093
TT	1999-05	QUATTRO	1.8L 4 Cyl. 20v DOHC Turbo EFI	APX	Alt. - w/ AC	6DPK1195
					Tensioner	38148
TT	1999-06	QUATTRO	1.8L 4 Cyl. DOHC QUATTRO Turbo	BAM	Tensioner Pulley	36101
TT	1999-00		1.8L 4 Cyl. 20v DOHC Turbo EFI	AJQ	Serp. - w/ AC	6DPK1195
					Serp. - w/o AC	6PK1125
					Tensioner Pulley	36101
					Tensioner	38148
TT	2000-05	QUATTRO	1.8L 4 Cyl. 0v DOHC VVT Turbo EFI	AUQ	Serp.	6DPK1195
TT	2004-05	QUATTRO	3.2L V6 32v DOHC EFI	BPF	Serp.	6DPK1195
TT	2005-06	QUATTRO	1.8L 4 Cyl. 20v DOHC VVT Turbo EFI	BVR	Tensioner Pulley	36101
TT	2005-06	QUATTRO	1.8L 4 Cyl. 20v DOHC VVT Turbo EFI	BVR	Tensioner Pulley	36101
TT	2006-07		2.0L 4 Cyl. 16v DOHC Turbo Direct Inj.	BWA	Alt. - w/ AC	6PK1050
					Alt. - w/o AC	6PK955
TT	2006-07		3.2L 6 Cyl. V6 32v DOHC EFI	BUB	Serp.	6PK1625
					Tensioner	38450
V8	1990-92	QUATTRO	3.6L V8 32v DOHC MPFI	PT	Serp. 1990-7/91	6PK2460
					Serp. 8/91-1992	6PK2480
BEDFORD						
CF SERIES	1975-76		6 Cyl.		Alt. & Fan	11A0865
CF SERIES	1976-80		6 Cyl.		Alt. & Fan	11A0840
CF Van	1969-74		4 Cyl.	Bedford Mtr.	Alt. & Fan	11A0865
CF Van	1973-81		6 Cyl.	Holden Mtr.	Alt. & Fan	11A0840
BMW						
118i	2004-08	E87	2.0L 4 Cyl. 16v DOHC EFI	N46B20	Serp. - w/ AC	6PK1840
					PS	4PK815
120i	2004-08	E87	2.0L 4 Cyl. 16v DOHC EFI	N46B20	Serp. - w/ AC	6PK1840
					PS	4PK815
130i	2004-08	E87	3.0L 6 Cyl. 24v DOHC EFI	N52B30	Serp.	6PK1995
2500	1969-77		2.5L 6 Cyl. 12v SOHC Carb.	M30B25	Alt. & Fan	13A1065
					AC	13A0800
					PS	11A0900
2800	1969-72		2.8L 6 Cyl. 12v SOHC Carb.	M30B28	Alt. & Fan	13A1030
					PS	11A1130
316	1976-83	E21	1.6L 4 Cyl. 8v SOHC Carb.	M10B16V	Alt. & Fan	11A0865
316i	1991-94	E36	1.6L 4 Cyl. 16v DOHC EFI	M43B16	Alt. - 1993-09/95	6PK1650
					Alt. - 09/95-On	6PK1740
					AC	4PK890
316i	1993-99	E36	1.6L 4 Cyl. 8v SOHC EFI	M43B16	Alt. - 1993-09/95	6PK1660
					Alt. - 09/95-On	6PK1740
					AC	4PK890
316i	1995-02	E36	1.9L 4 Cyl. 8v SOHC EFI	M43TU	Alt.	6PK1740
					AC	4PK890

* = NZ Vehicles Only

Model	Year	Variant	Engine	Engine Code	Description	Part Number
BMW CONTINUED						
316ti	2001-05	E46	1.8L 4 Cyl. 16v DOHC EFI	N42B18	Serp.	6PK1875
318i	1980-83	E21	1.8L 4 Cyl. 8v SOHC EFI	M10B18F	Alt. & Fan - Man. Trans.	11A0980
					Alt. & Fan - Auto. Trans.	11A0950
					AC	13A0825
					PS	11A0865
318i	1980-83	E21	1.8L 4 Cyl. 8v SOHC EFI	M10B18B	Alt. & Fan - Man. Trans.	11A0980
					Alt. & Fan - Auto. Trans.	11A0950
					AC	13A0815
					PS	11A0900
318i	1983-85	E30	1.8L 4 Cyl. 8v SOHC EFI	M10B18F	Alt. & Fan	11A0875
					AC	13A0815
					PS	11A0815
318i	1991-98	E36	1.8L 4 Cyl. 8v SOHC EFI	M43B18	Tensioner	38222
318i	1991-98	E36	1.8L 4 Cyl. 8v SOHC PFI	M40B18	AC	11A0980
					PS	11A0735
318i	1995-99	E36	1.8L 4 Cyl. 16v DOHC EFI	M42B18	Fan, Alt. & PS	6PK1660
					AC	4PK890
					Tensioner	38222
					Tensioner - AC Auto	38244
					Idler Pulley	38012
318i	1995-98	E46	1.8L 4 Cyl. 8v SOHC PFI	M40B18ME	Tensioner	38222
318i	1998-07	E46	1.9L 4 Cyl. 8v SOHC Turbo EFI	M43TUB19	Alt.	6PK1730
					AC	5PK950
318i	2001-07	E46	2.0L 4 Cyl. 16v DOHC EFI	N42B20	Serp.	6PK1875
318i	2004-05	E46	2.0L 4 Cyl. 16v DOHC EFI	M42B20	Serp.	6PK1875
318Ti	1996-02	E36	1.9L 4 Cyl. 16v DOHC EFI	M44B19	Fan, Alt. & PS	6PK1730
					AC	4PK890
					Tensioner - Alt.	38223
					Idler pulley - Alt.	38071
					Idler pulley - AC	38070
318Ti	2001-05	E46	2.0L 4 Cyl. 16v DOHC EFI	N42B20	Serp.	6PK1875
320	1975-80	E21	2.0L 4 Cyl. 8v SOHC Carb.	M10B20A	Alt.	11A0950
					AC	13A0825
					PS	11A0825
320	1976-83	E21	2.0L 6 Cyl. 12v SOHC Carb.	M20B20V	Alt.	11A0950
					PS	11A0825
320Ci	2004-06	E46	2.2L 6 Cyl. 24v DOHC EFI	M54B22	Alt.	6PK1540
					AC - 4 Ribbed	4PK865
					AC - 5 Ribbed	5PK865
320i	1984-91	E30	2.0L 6 Cyl. 12v SOHC EFI	M20B20K	Alt. & Fan	11A0965
					AC	13A0825
					PS	11A0840
320i	1991-95	E36	2.0L 6 Cyl. 24v DOHC EFI	M50B20	Alt.	6PK1555
					AC	5PK885
					Tensioner Pulley	38064
320i	2000-06	E46	2.2L 6 Cyl. 24v DOHC EFI	M54B22	Serp.	6PK1540
					AC - 4 Ribbed	4PK865
					AC - 5 Ribbed	5PK865

Model	Year	Variant	Engine	Engine Code	Description	Part Number
BMW CONTINUED						
320is	1988-90	E30	2.5L 6 Cyl. 12v SOHC EFI	M20B25	Alt.	13A0825
					PS	11A0840
					WP	11A0965
323ci	1999-01	E46	2.5L 6 Cyl. 24v DOHC EFI	M52B25	Alt.	6PK1555
					AC	5PK865
323i	1979-86	E21	2.3L 6 Cyl. 12v SOHC EFI	M20B23	Alt.	11A0965
					AC	13A0815
					PS	11A0815
323i	1982-86	E30	2.3L 6 Cyl. 12v SOHC EFI	M20B23	Alt. - 1982-06/83	11A0950
					Alt. - 06/83-1986	11A0965
					PS	11A0825
323i	1995-98	E36	2.5L 6 Cyl. 24v DOHC EFI	M52B25	Fan, Alt. & PS	6PK1555
					AC	5PK900
					Tensioner - Alt. Auto	38201
					Tensioner - AC Auto	38224
					Tensioner - AC Hydr	38220
					Tensioner - Alt. Hydr	38221
					Idler Pulley	38012
323i	1998-02	E46	2.5L 6 Cyl. 24v DOHC EFI	M52B25	Alt.	6PK1540
					AC	5PK865
325ci	2001-07	E46	2.5L 6 Cyl. 24v DOHC EFI	M54B25	Serp.	6PK1540
					AC - 4 Ribbed	4PK860
					AC - 5 Ribbed	5PK865
					Tensioner	38384
325e	1985-87	E30	2.7L 6 Cyl. 12v SOHC EFI	M20B27	Alt. & Fan	11A0965
					AC	13A0815
					PS	11A0825
325i	1988-93	E30	2.5L 6 Cyl. 12v SOHC EFI	M20B25	Alt. & Fan	11A0965
					AC	13A0825
					PS	11A0840
325i	1992-96	E36	2.5L 6 Cyl. 24v DOHC EFI	M50B25	Alt.	6PK1555
					AC	5PK885
					Tensioner - Alt. Auto	38201
					Tensioner - Alt. Hydr	38221
					Tensioner - AC Auto	38224
					Tensioner - AC Hydr	38220
					Tensioner Pulley	38064
					Idler Pulley	38012
325i	2000-05	E46	2.5L 6 Cyl. 24v DOHC EFI	M54B25	Serp.	6PK1540
					AC - 4 Ribbed	4PK860
					AC - 5 Ribbed	5PK865
					Tensioner	38384
325ti	2000-05	E46	2.5L 6 Cyl. 24v DOHC EFI	M54B25	Tensioner	38384
325ti	2000-05	E46	2.5L 6 Cyl. 24v DOHC EFI	M54B25	Serp.	6PK1540
					AC - Upto 09/2002	5PK865
					AC - From 09/2002	4PK860
328ci	1999-01	E46	2.0L 6 Cyl. 24v DOHC EFI	M52B20	Tensioner Pulley	38064

* = NZ Vehicles Only

Model	Year	Variant	Engine	Engine Code	Description	Part Number
BMW CONTINUED						
328ci	1999-01	E46	2.8L 6 Cyl. 24v DOHC EFI	M52B28	Alt.	6PK1555
					AC	5PK900
328i	1995-00	E36	2.8L 6 Cyl. 24v DOHC EFI	M52B28	Fan, Alt. & PS	6PK1555
					Alt. - w/o PS	5PK1545
					AC	5PK900
328i	1999-01	E46	2.0L 6 Cyl. 24v DOHC EFI	M52B25	Alt.	6PK1540
					AC	5PK865
					Tensioner Pulley	38064
330ci	2000-07	E46	3.0L 6 Cyl. 24v DOHC EFI	M54B30	Alt.	6PK1540
					AC - 4 Ribbed	4PK860
					AC - 5 Ribbed	5PK865
					Tensioner	38384
330i	2000-05	E46	3.0L 6 Cyl. 24v DOHC EFI	M54B30	Alt.	6PK1540
					AC - 4 Ribbed	4PK860
					AC - 5 Ribbed	5PK865
					Tensioner	38384
520	1973-78	E12	2.0L 4 Cyl. 8v SOHC Twin Carb.	M17B20	Alt. & Fan	11A0980
					AC	13A0825
					PS	11A0825
520i	1973-78	E12	2.0L 4 Cyl. 8v OHV EFI	M10B20	Alt. & Fan	11A0980
					AC	13A0825
					PS	11A0825
520i	1981-85	E28	2.0L 6 Cyl. 12v SOHC EFI	M20B20K	Alt. & Fan	11A0965
					AC	13A0815
					PS	11A0825
520i	1990-96	E34	2.0L 6 Cyl. 24v DOHC EFI	M50B20	Alt.	6PK1555
					AC	5PK885
523i	1996-03	E39	2.5L 6 Cyl. 24v DOHC EFI	M52B25	Alt.	6PK1555
					AC Up to 03/98	5PK900
					AC 03/98 - On	5PK865
					Tensioner	38384
525	1973-75	E12	2.5L 6 Cyl. 2v SOHC Twin Carb.	M30B25V	Alt.	13A1065
					AC	13A0850
					PS	11A0900
525e	1986-88	E28	2.7L 6 Cyl. 12v SOHC EFI	M30B27	Alt. & Fan	11A0965
					AC	13A0815
					PS	11A0840
525e	1986-88	E28	2.7L 6 Cyl. 12v SOHC EFI	M30B27	Alt. & Fan	11A0965
					AC	13A0815
					PS	11A0840
525i	1988-92	E34	2.5L 6 Cyl. 12v SOHC EFI	M20B25	Alt.	11A0900
					AC - Micro-V Belt	5PK885
					AC - V-Belt	11A0825
					PS	13A0825
525i	1990-97	E34	2.5L 6 Cyl. 24v DOHC EFI	M52B25	Alt.	6PK1555
					AC	5PK865
525i	2000-04	E39	2.5L 6 Cyl. 24v DOHC EFI	M52B25	Alt.	6PK1555
					AC	5PK900

Model	Year	Variant	Engine	Engine Code	Description	Part Number
BMW CONTINUED						
525i	2003-07	E60	2.5L 6 Cyl. 24v DOHC EFI	M54B25	Serp. - w/ Lev. Adj.	6PK1560
					Serp. - w/o Lev. Adj.	6PK1540
					AC	4PK850
525i	2003-08	E60	2.5L 6 Cyl. 24v DOHC EFI	N52B25	Serp. - w/ Lev. Adj.	6PK1560
					Serp. - w/o Lev. Adj.	6PK1540
					AC	4PK850
525i TOURING	1990-97	E34	2.5L 6 Cyl. 24v DOHC EFI	M52B25	Alt.	6PK1555
					AC	5PK865
528i	1975-81	E12	2.8L 6 Cyl. 12v SOHC EFI	M30B28E3	Alt. & Fan	13A0815
528i	1982-85	E28	2.8L 6 Cyl. 12v SOHC EFI	M30B28E3	Alt. & Fan	13A1055
					AC	13A0815
					PS	11A0900
528i	1995-03	E39	2.8L 6 Cyl. 24v DOHC EFI	M52B28	Alt. & Fan	6PK1555
					AC - Upto 02/96	5PK885
					AC - From 02/96	5PK900
530i	1992-96	E34	3.0L V8 32v DOHC MPFI	M60B30	Fan, Alt. & PS	7PK1605
					AC	5PK975
					Idler Pulley	38045
					Idler Pulley	38066
530i	2001-05	E39	3.0L 6 Cyl. 24v DOHC EFI	M54B30	Alt.	6PK1540
					AC	5PK865
					Tensioner	38384
530i	2003-07	E60	3.0L 6 Cyl. 24v DOHC EFI	M54B30	Tensioner	38384
530i	2003-07	E60	3.0L 6 Cyl. 24v DOHC EFI	M54B30	Serp. - w/ Lev. Adj.	6PK1560
					Serp. - w/o Lev. Adj.	6PK1540
					AC	4PK850
535i	1985-93	E34	3.4L 6 Cyl. 12v SOHC EFI	M30B35ME7	Alt. & Fan	13A1055
					AC	13A0850
					PS	11A0890
535i	1996-03	E39	3.5L V8 32v DOHC MPFI	M62B35	Fan, Alt.	7PK1625
					AC	5PK1000
					Tensioner Pulley	36101
					Idler Pulley	38045
540i	1993-96	E34	3.0L V8 32v DOHC MPFI	M60B40	Idler Pulley	38066
540i	1993-96	E34	4.0L V8 32v DOHC MPFI	M60B40	Fan, Alt. & PS	7PK1605
					AC	5PK975
					Idler Pulley	38045
540i	1996-03	E39	4.4L V8 32v DOHC MPFI	M62B44	Fan, Alt.	7PK1605
					AC	5PK1000
					Idler Pulley	38045
545i	2003-06	E60	4.4L V8 32v DOHC MPFI	M62B44	Serp.	6PK1555
					AC	6PK825
633CSi	1977-79	E24	3.2L 6 Cyl. 12v SOHC EFI	M30B32L	Alt. & Fan	13A1065
					AC	13A0800
					PS	11A0890
635CSi	1986-89	E24	3.4L 6 Cyl. 12v SOHC EFI	M30B34	Alt. & Fan	13A1055
					AC	13A0800
					PS	11A0890
645Ci	2004-05	E63	4.4L 32v 32v DOHC MPFI	M62B44	Serp.	6PK1555
					AC	6PK825

* = NZ Vehicles Only

Model	Year	Variant	Engine	Engine Code	Description	Part Number
BMW CONTINUED						
730i	1986-87	E32	3.0L 6 Cyl. 12v SOHC EFI	M30B30	Alt.	13A1040
					AC to 02/87	13A0925
					AC from 03/87	13A0800
					PS	11A0865
730iL	1992-97	E32	3.0L V8 32v DOHC MPFI	M60B30	Alt.	7PK1605
					AC	5PK975
730iL	1995-96	E38	3.0L V8 32v DOHC MPFI	M60B30	Alt.	7PK1605
					AC	5PK975
733i	1978-80	E23	3.3L 6 Cyl. 12v SOHC EFI	M30B32L	Alt. & Fan	13A1055
					AC	13A0800
					PS to 05/80	11A0900
					PS from 06/80	11A0915
735i	1986-93	E32	3.5L 6 Cyl. 12v SOHC EFI	M30B35ME7	Alt. & Fan	13A1050
					AC	13A0850
					PS	11A0865
735i	2000-05	E65	3.6L V8 32v DOHC MPFI	N62B36	Serp.	6PK1555
					AC	4PK860
735iL	1987-92	E32	3.4L 4 Cyl. 12v SOHC EFI	M30B34	Alt.	13A1050
					PS	11A0865
735iL	1995-98	E38	3.5L V8 32v DOHC MPFI	M62B35	Alt. & Fan	7PK1625
					AC	5PK1000
735iL	2000-05	E65	3.6L V8 32v DOHC MPFI	N62B36	Serp.	6PK1555
					AC	4PK860
740iL	1992-96	E32	4.0L V8 32v DOHC MPFI	M60B40	Serp.	7PK1605
					AC	5PK975
740iL	1992-96	E32	4.0L V8 32v DOHC MPFI	M60B40	Alt.	7PK1605
					AC	5PK975
					Tensioner Pulley	38046
					Idler Pulley	38045
					Idler Pulley (Lower)	38064
740iL	1995-02	E38	4.4L V8 32v DOHC MPFI	M62B44	Alt.	7PK1605
					AC	5PK975
					Idler Pulley	38045
745i	2002-05	E65	4.4L V8 32v DOHC MPFI	M62B44	Serp.	6PK1555
					AC	4PK860
745iL	2002-05	E65	4.4L V8 32v DOHC MPFI	M62B44	Serp.	6PK1555
					AC	4PK860
750i	1987-95	E32	5.0L V12 24v SOHC MPFI	M70B50	Alt. & Fan	6PK1080
					AC	5PK1165
					Tensioner	38217
750i	1995-99	E38	5.4L V12 24v SOHC MPFI	M73B54	Fan & AC	6PK1190
					Tensioner Pulley	36101
					Idler Pulley	38045
850i	1990-95	E31	5.0L V12 24v SOHC MPFI	M70B50	Alt. & Fan	6PK1080
					AC	5PK1165
					Tensioner	38217
M3	1992-97	E36	3.0L 6 Cyl. 24v DOHC MPFI	S50B30	Idler Pulley	38012
M3	2001-06	E46	3.2L 6 Cyl. 24v DOHC MPFI	S50B32	Serp.	6PK1460

Model	Year	Variant	Engine	Engine Code	Description	Part Number
BMW CONTINUED						
M5	1990-93	E34	3.6L 6 Cyl. 24v DOHC EFI	S38B36	Alt. & Fan	13A1005
					AC	13A0980
					PS	11A0825
X3	2004-08	E83	2.5L 6 Cyl. 24v DOHC EFI	M54B25	Serp.	6PK1540
					AC	4PK865
					Tensioner	38384
X3	2004-08	E83	3.0L 6 Cyl. 24v DOHC EFI	M54B30	Serp.	6PK1540
					AC	4PK865
X3	2004-08	E83	3.0L 6 Cyl. 24v DOHC Turbo DI	M57TUD30	Serp.	6PK1540
					AC	4PK865
X5	2000-07	E53	3.0L 6 Cyl. 24v DOHC EFI	M54B30	Serp.	6PK1540
					AC - Upto 09/2002	5PK865
					AC - From 09/2002	4PK860
					Idler Pulley	38012
X5	2000-07	E53	4.4L V8 32v DOHC MPFI	M62B44	Serp.	7PK1640
					AC	5PK1030
					Tensioner - Alt.	38218
					Tensioner - AC	38219
					Idler Pulley	38045
X5	2000-07	E53	4.6L V8 32v DOHC EFI	M62B46	Serp.	7PK1640
					AC	5PK1030
X5	2000-07	E53	4.6L V8 32v DOHC EFI	M62B48	Serp.	6PK1555
					AC	4PK860
X5	2003-08	E53	3.0L 6 Cyl. 24v DOHC Turbo Diesel	M57D30	Serp.	6PK2080
Z3	1996-99	E36	1.9L 4 Cyl. 16v DOHC EFI	M44B19	Serp.	6PK1740
					AC	4PK890
Z3	1997-01	E36	2.8L 6 Cyl. 24v DOHC MPFI	M52B28	Serp.	6PK1555
					AC	5PK900
					Idler Pulley	38012
Z3	1997-00	E36	3.2L 6 Cyl. 24v DOHC EFI	S54B32	Serp. To 2000	6PK1510
					Serp. from 2000	6PK1460
					Air Pump - w/ AC	5PK1120
Z3	1999-00	E36	2.0L 6 Cyl. 24v DOHC EFI	M52B20	Serp.	6PK1555
					AC	5PK900
Z3	1999-01	E36	2.0L 6 Cyl. 24v DOHC EFI	M44B20	Serp.	6PK1540
					AC	5PK900
Z3	2000-02	E36	2.2L 6 Cyl. 24v DOHC EFI	M54B22	Serp.	6PK1540
					AC	5PK865
Z4	2003-06	E85	2.5L 6 Cyl. 24v DOHC EFI	M54B25	Serp.	6PK1460
					AC	4PK860
					Tensioner	38384
					idler Pulley	38066
Z4	2003-06	E85	3.0L 6 Cyl. 24v DOHC EFI	M54B30	Serp.	6PK1460
					AC	4PK860
					Tensioner	38384

* = NZ Vehicles Only

Model	Year	Variant	Engine	Engine Code	Description	Part Number
CHRYSLER						
300C	2005-08	SRT-8	6.1L V8 16v SOHC EFI	6.1L	Serp.	6PK2070
300C	2005-07		3.5L V6 24v SOHC EFI	6Y	Serp.	6PK2095
300C	2005-08		5.7L V8 16v OHV EFI	6Y	Serp.	6PK2080
CROSSFIRE	2003-07	ZH	3.2L V6 18v SOHC EFI	4X	Serp.	6PK2400
GALANT	1973-74	GB	1.5L 4 Cyl. 8v SOHC Carb.	4G33	Alt.	11A0815
GALANT	1974-76	GC	1.6L 4 Cyl. 8v SOHC Carb.	4G32	Alt.	11A0825
GALANT	1976-78	GD	1.6L 4 Cyl. 8v SOHC Carb.	4G32	Alt.	11A0825
Grand VOYAGER	2001-08	RG	3.3L V6 12v OHV MPFI	A4	Serp.	6PK2080
					Tensioner	38185
LANCER	1974-75	LA	1.4L 4 Cyl. 8v SOHC Carb.	4G33	Alt. - 815mm Belt	11A0815
					Alt. - 915mm Belt	11A0915
LANCER	1977-79	LB	1.4L 4 Cyl. 8v SOHC Carb.	4G33	Alt. - 815mm Belt	11A0815
					Alt. - 915mm Belt	11A0915
LANCER	1977-79	LB	1.6L 4 Cyl. 8v SOHC Carb.	4G32	Alt.	11A0925
LANCER	1979-81	LC	1.6L 4 Cyl. 8v SOHC Carb.	4G32	Alt.	11A0925
NEON	1996-99		2.0 4 Cyl. 16v SOHC EFI	S4RE	Alt. - w/ OE #: 4612229	4PK855
					Alt. - w/ OE #: 4668180	4PK890
					PS - w/ AC	11A1205
					PS - w/o AC	11A1040
NEON	1999-02	PL	2.0 4 Cyl. 16v SOHC EFI	S4RE	Serp.	4PK855
					PS - w/ AC	4PK1320
					PS - w/o AC	4PK1120
PT CRUISER	2000-05		2.0L 4 Cyl. 16v DOHC EFI	1T	Alt.	4PK850
PT CRUISER	2000-05		2.0L 4 Cyl. 16v DOHC EFI	3T	Serp.	4PK875
					Tensioner	38176
					Tensioner Pulley	36156
PT CRUISER	2000-07		2.4L 4 Cyl. 16v DOHC EFI	5T	Serp.	4PK875
VALIANT	1963-65	AP5	225 6 Cyl. 12v OHV Carb.	225	Alt.	11A1550
VALIANT	1965-66	AP6	225 6 Cyl. 12v OHV Carb.	225	Alt.	11A1550
VALIANT	1965-67	VC	4.5L V6 12v OHV Carb.	273	Alt.	11A1255
VALIANT	1966-67	VC	225 6 Cyl. 12v OHV Carb.	225	Alt.	11A1450
VALIANT	1967-69	VE	225 6 Cyl. 12v OHV Carb.	225	Alt.	11A1450
VALIANT	1967-69	VE	4.5L V6 12v OHV Carb.	273	Alt.	11A1450
VALIANT	1969-70	VF	225 6 Cyl. 12v OHV Carb.	225	Alt.	11A1450
VALIANT	1969-70	VF	4.0L 6 Cyl. 12v OHV Carb.	245	Alt. - w/ PS	11A1550
					Alt. - w/o PS	11A1130
VALIANT	1969-70	VF	4.5L V6 12v OHV Carb.	273	Alt.	11A1450
VALIANT	1969-70	VF	5.2L V8 16v OHV Carb.	318	Alt. - w/ AC	11A1450
					Alt. - w/o AC	11A1180
VALIANT	1970-71	VG	215 6 Cyl. 12v OHV Carb.	215	PS - w/ AC	11A1230
					PS - w/o AC	11A0925
VALIANT	1970-72	VG	4.0L 6 Cyl. 12v OHV Carb.	245	Alt.	11A1130
					PS - w/ AC	11A1230
					PS - w/o AC	11A0925
VALIANT	1970-71	VG	5.2L V8 16v OHV Carb.	318	Alt. - w/ AC	11A1450
					Alt. - w/o AC	11A1180
VALIANT	1971-73	VH	215 6 Cyl. 12v OHV Carb.	215	PS - w/ AC	11A1230
					PS - w/o AC	11A0925

Model	Year	Variant	Engine	Engine Code	Description	Part Number
CHRYSLER CONTINUED						
VALIANT	1971-72	VH	4.0L 6 Cyl. 12v OHV Carb.	245	Alt. - w/ AC	11A1550
					Alt.	11A1130
					PS - w/ AC	11A1230
					PS - w/o AC	11A0925
VALIANT	1971-75	VH	4.3L 6 Cyl. 12v OHV Carb.	265	Alt. - w/ AC	11A1550
					Alt. - w/o AC	11A1130
					PS - w/ AC	11A1230
					PS - w/o AC	11A0925
VALIANT	1971-74	VH	5.2L V8 16v OHV Carb.	318	Alt. - w/ AC	11A1450
					Alt. - w/o AC	11A1180
VALIANT	1971-73	VH	5.6L V8 16v OHV Carb.	340	Alt.	11A1180
					PS	11A1040
VALIANT	1972-75	VH	5.9L V8 16v OHV Carb.	360	Alt.	11A1180
					PS	11A1040
VALIANT	1973-75	VJ	215 6 Cyl. 12v OHV Carb.	215	PS - w/ AC	11A1230
					PS - w/o AC	11A0925
VALIANT	1973-75	VJ	4.0L 6 Cyl. 12v OHV Carb.	245	Alt. - w/ AC	11A1550
					Alt. - w/o AC	11A1130
					PS - w/ AC	11A1230
					PS - w/o AC	11A0925
VALIANT	1973-75	VJ	4.3L 6 Cyl. 12v OHV Carb.	265	Alt. - w/ AC	11A1550
					Alt. - w/o AC	11A1130
					PS - w/ AC	11A1230
					PS - w/o AC	11A0925
VALIANT	1973-75	VJ	5.2L V8 16v OHV Carb.	318	Alt. - w/ AC	11A1450
					Alt. - w/o AC	11A1180
VALIANT	1973-75	VJ	5.6L V8 16v OHV Carb.	340	Alt.	11A1180
					PS	11A1040
VALIANT	1973-75	VJ	5.9L V8 16v OHV Carb.	360	Alt.	11A1180
					PS	11A1040
VALIANT	1975-76	VK	215 6 Cyl. 12v OHV Carb.	215	PS - w/ AC	11A1230
					PS - w/o AC	11A0925
VALIANT	1975-76	VK	4.0L 6 Cyl. 12v OHV Carb.	245	Alt. - w/ AC	11A1550
					Alt. - w/o AC	11A1145
					PS - w/ AC	11A1230
					PS - w/o AC	11A0925
VALIANT	1975-76	VK	4.3L 6 Cyl. 12v OHV Carb.	265	Alt. - w/ AC	11A1550
					Alt. - w/o AC	11A1145
					PS - w/ AC	11A1230
					PS - w/o AC	11A0925
VALIANT	1975-76	VK	5.2L V8 16v OHV Carb.	318	Alt. - w/ AC	11A1450
					Alt. - w/o AC	11A1180
VALIANT	1975-76	VK	5.9L V8 16v OHV Carb.	360	Alt.	11A1180
					PS	11A1040
VALIANT	1976-78	CL	4.0L 6 Cyl. 12v OHV Carb.	245	Alt.	11A1145
					PS - w/ AC	11A1230
					PS - w/o SAGINAW AIR PUMP JC30 ON	11A1055
					PS - w/o TRW AIR PUMP TO JC29	11A0925

* = NZ Vehicles Only

Model	Year	Variant	Engine	Engine Code	Description	Part Number
CHRYSLER CONTINUED						
VALIANT	1976-78	CL	4.3L 6 Cyl. 12v OHV Carb.	265	Alt.	11A1145
					PS - w/ AC	11A1230
					PS - w/o SAGINAW AIR PUMP JC30 ON	11A1055
					PS - w/o TRW AIR PUMP TO JC29	11A0925
VALIANT	1976-78	CL	5.2L V8 16v OHV Carb.	318	Alt. - w/ AC	11A1450
					Alt. - w/o AC	11A1180
VALIANT	1976-78	CL	5.9L V8 16v OHV Carb.	360	Alt.	11A1180
					PS	11A1040
VALIANT	1978-81	CM	4.0L 6 Cyl. 12v OHV Carb.	245	Alt. - w/ AC	11A1550
					Alt. - w/o AC	11A1145
					PS - w/ AC	11A1230
					PS - w/o AC	11A1055
VALIANT	1978-81	CM	4.3L 6 Cyl. 12v OHV Carb.	265	Alt. - w/ AC	11A1550
					Alt. - w/o AC	11A1145
					PS - w/ AC	11A1230
					PS - w/o AC	11A1055
VALIANT	1978-81	CM	5.2L V8 16v OHV Carb.	318	Alt.	11A1450
					Alt. - w/o AC	11A1180
VIPER	1993-03		8.0L V10 20v OHV EFI	2V	Serp.	7PK1970
VOYAGER	1997-04	GS	3.3L V6 12v OHV MPFI	A4	Serp. - w/ AC	6PK2460
					Tensioner	38113
					Tensioner Pulley	38042
					Idler Pulley - w/ AC	38042
VOYAGER	2004-06	RG	3.3L V6 12v OHV MPFI	A4	Serp. - w/ AC	6PK2460
					Serp. - wo/ AC	6PK2080
					Tensioner	38185
					Tensioner	38113
					Tensioner Pulley	38042
					Idler Pulley - w/ AC	38042
CITROEN						
2CV	1985-88	CHARLSTON	602cc 2 Cyl. 4v OHV Carb.	602cc	Alt.	11A0750
AX	1987-90		1.1L 4 Cyl. 8v SOHC Carb.	H1B	Alt. - w/o AC	11A0710
					Alt. & AC - 4 Rib Belt	4PK1030
					Alt. & AC - 5 Rib Belt	5PK1030
AX	1988-89		1.0L 4 Cyl. 8v SOHC EFI	TU9M	Alt. - w/o AC	11A0710
					Alt. & AC - 4 Rib Belt	4PK1030
					Alt. & AC - 5 Rib Belt	5PK1030
AX	1991-93		1.4L 4 Cyl. 8v SOHC EFI	TU3F	Alt. - w/o AC	11A0710
					Alt. & AC - 4 Rib Belt	4PK1030
					Alt. & AC - 5 Rib Belt	5PK1030

Model	Year	Variant	Engine	Engine Code	Description	Part Number
CITROEN CONTINUED						
BERLINGO	1999-03		1.4L 4 Cyl. 16v DOHC EFI	TU3JP	Alt. - w/ AC	4PK850
					Alt. - w/ AC & PS	4PK850
					Alt. - w/o PS & AC (Micro-V Belt)	5PK725
					Alt. - w/o PS & AC (V- Belt)	11A0710
					PS - w/ AC	6PK1255
					PS - w/o AC	5PK890
					Tensioner w/ AC to Org. # 10562	38446
					Idler - w/ AC	36190
BERLINGO	2003-07		1.4L 4 Cyl. 16v DOHC EFI	TU3JP	Serp. - w/ AC	6PK1560
					Serp. - w/o AC	6PK1460
					Tensioner w/ AC to Org. # 10562	38446
					Idler - w/ AC	36190
BX	1983-93		1.6L 4 Cyl. 8v SOHC Carb.	B1A	Alt. & AC	4PK1245
					Alt. - w/o AC	4PK960
					Hyd. Pump	11A0800
BX	1985-92		1.9L 4 Cyl. 8v SOHC EFI	DFZ	Alt. & AC	4PK1245
					Alt. - w/o AC	4PK960
					Hyd. Pump	11A0800
BX	1988-93		1.8L 4 Cyl. 8v SOHC Turbo Diesel	A8A	Alt. & AC	6PK1130
					Alt. - w/o AC, w/ Man. Trans	5PK700
					Alt. - w/o AC, w/ Auto. Trans.	5PK710
					Hyd. Pump	11A0635
BX	1988-93		1.9L 4 Cyl. 8v SOHC EFI	DKZ	Alt. & AC	5PK1245
					Alt. - w/o AC	4PK960
					Hyd. Pump	11A0800
C2	2003-07		1.6L 4 Cyl. 16v DOHC EFI	TU5JP4	Serp. - w/ AC	6PK1125
					Serp. - w/o AC	6PK730
					Idler - w/ AC	36190
C3	2002-07		1.4L 4 Cyl. 8v SOHC EFI	TU3JP	Serp. - w/ AC	6PK1125
					Serp. - w/o AC	6PK730
					Idler - w/ AC	36190
C3	2002-07		1.6L 4 Cyl. 16v DOHC EFI	TU5JP4	Serp. - w/ AC	6PK1125
					Serp. - w/o AC	6PK730
					Idler - w/ AC	36190
C3	2004-06	CONVERTIBLE	1.6L 4 Cyl. 16v DOHC EFI	TU5JP4	Serp. - w/ AC	6PK1125
					Serp. - w/o AC	6PK730
					Idler - w/ AC	36190
C3	2004-06		1.6L 4 Cyl. 8v SOHC EFI	TU5JP	Serp.	6PK1125
					Idler - w/ AC	36190
C4	2005-07		1.6L 4 Cyl. 16v DOHC EFI	TU5JP4	Serp. (80A) - w/ AC	6PK1125
					Serp. (120A) - w/ AC	6PK1155
					Serp. - w/o AC	6PK730
					Idler - w/ AC	36190
C4	2005-06		1.6L 4 Cyl. 16v DOHC Turbo Diesel	DV6TED4	Alt.	6PK1090SF
					AC	6PK975
					SF Tool	SFT001

* = NZ Vehicles Only

Model	Year	Variant	Engine	Engine Code	Description	Part Number
CITROEN CONTINUED						
C4	2005-07		2.0L 4 Cyl. 16v DOHC EFI	EW10A	Serp.	6PK1000
C4	2005-07		2.0L 4 Cyl. 16v DOHC EFI	EW10J4S	Serp.	6PK1715
C4	2006-08		1.6L 4 Cyl. 16v DOHC EFI	10FX	Serp.	6PK1125
C5	2001-05		2.0L 4 Cyl. 16v DOHC EFI	EW10J4	Serp.	6PK1700
C5	2001-06		2.0L 4 Cyl. 16v DOHC Turbo Diesel	DW10ATED	Serp. - w/ AC - Delphi AC	6PK1755
					Serp. - w/ AC - Sanden AC	6PK1740
C5	2001-05		3.0L V6 24v DOHC EFI	ES9J4S	Serp.	6PK1590
C5	2005-08		2.2L 4 Cyl. 16v Turbo Diesel	DW12TED4	Serp.	6PK1740
C5	2005-08		2.9L V6 24v DOHC EFI	10FJ3	Serp.	6PK1590
CX	1975-83		2.2L 4 Cyl. 8v OHV Carb.	M22617	Alt.	11A0850
					Air Pump	10A0675
					Hyd. Pump	11A0610
CX	1978-84		2.3L 4 Cyl. 8v OHV Turbo EFI	M23622	Alt.	11A0850
					Air Pump	10A0675
					Hyd. Pump	11A0610
CX	1984-85		2.5L 4 Cyl. 8v OHV Turbo EFI	M25659	Alt.	11A0850
					Air Pump	10A0675
					Hyd. Pump	11A0610
GS	1974-79		1.0L 4 Cyl. 8v SOHC Carb.	G10	Alt.	11A0610
XANTIA	1993-99		1.9L 4 Cyl. 8v SOHC Turbo Diesel	XUD9TE	Serp. & AC	6PK1700
					Serp. - w/o AC	6PK1130
XANTIA	1994-01		2.0L 4 Cyl. 8v SOHC EFI	XU10J2	Serp. - w/ AC	6PK1660
					Serp. - w/o AC	6PK1080
					Tensioner - w/ AC	38234
XANTIA	1995-01		2.0L 4 Cyl. 16v DOHC Turbo EFI	XU10JT	Serp. - w/ AC	6PK1650
					Serp. - w/o AC	6DPK1195
XANTIA	1996-01		2.0L 4 Cyl. 16v DOHC EFI	XU10J4	Serp. - w/ AC	6PK1660
					Serp. - w/o AC	6PK1080
					Tensioner - w/ AC	38234
XM	1989-97		3.0L V6 12v SOHC EFI	ZPJZ	Alt.	5PK855
					Hyd. Pump - 02/92-97	11A0710
					Hyd. Pump - 1989-02/92	11A0660
					WP - w/ AC	5PK1390
					WP - w/o AC	5PK855
XM	1989-97		3.0L V6 24v DOHC EFI	ZPJ4	Alt.	5PK855
					Hyd. Pump - 02/92-97	11A0710
					Hyd. Pump - 1989-02/92	11A0660
					WP - w/ AC	5PK1455
					WP - w/ AC	5PK1390
					WP - w/o AC	5PK855
XSARA	1998-04		1.6L 4 Cyl. 8v SOHC EFI	TU5JP	Tensioner - w/ AC	38238
					Tensioner - w/ AC to Org. # 09156	38446
					Idler	36190

Model	Year	Variant	Engine	Engine Code	Description	Part Number
CITROEN CONTINUED						
XSARA	1998-01		1.8L 4 Cyl. 8v SOHC EFI	XU7JP	Serp. - w/ AC	6PK1660
					Serp. - w/o AC	6PK1080
					Alt. (90a) - w/ AC	6PK1660
					Alt. (70a,80a) - w/o AC	6PK1065
					Alt. (90a) - w/o AC	6PK1080
XSARA	1998-00		2.0L 4 Cyl. 16v DOHC EFI	XU10J4	Serp. w/ AC	6PK1600
					Serp. - w/o AC	6PK1155
XSARA	1998-01		2.0L 4 Cyl. 16v DOHC EFI	XU10J4	Serp. - w/ AC	6PK1600
					Serp. - w/o AC	6PK1155
XSARA	2000-05		1.6L 4 Cyl. 16v DOHC EFI	TU5JP4	Alt. - w/ AC	4PK850
					Alt. - w/ PS - w/o AC	4PK850
					Alt. - w/o AC & PS	11A0710
					PS - w/ AC	5PK1245
					PS - w/o AC	5PK890
					Tensioner - w/ AC up to ORG # 09155	38238
					Tensioner - w/ AC from ORG # 09156	38446
					Idler	36190
XSARA	2001-06	VTS	2.0L 4 Cyl. 16v DOHC EFI	XU10J4	Serp. - w/ AC	6PK1600
					Serp. - w/o AC	6PK1155
ZX	1993-98		1.9L 4 Cyl. 8v SOHC Diesel	XUD9	Alt. AC & PS 1/95-98	6PK1740
					Alt. AC & PS 1991-2/93	6PK1700
					Alt. & PS - w/o AC 1991-2/93	6PK1130
					Alt. & PS - w/o AC 2/93-12/93	6PK1145
					Alt. - w/o PS, w/o AC 1991-95	6PK730
					V- Pump	10A0650
DAEWOO						
1.5i	1994-95		1.5L 4 Cyl. 8v SOHC EFI	G15MF	Alt. & WP	5PK965
					Alt. - w/o PS - Micro-V Belt	5PK875
					Alt. - w/o PS - V-Belt	11A0915
					Idler Pulley	38036
1.5i	1997-03		1.5L 4 Cyl. 8v SOHC EFI	A15SMS	Tensioner	38376
CIELO	1995-98		1.5L 4 Cyl. 16v DOHC EFI	A15MF	Alt. - w/ PS	5PK970
					Alt. - w/o PS	5PK870
					Alt. - w/o PS	11A0915
CIELO	1995-97		1.5L 4 Cyl. 8v SOHC EFI	G15MF	Alt. - w/ PS	5PK970
					Alt. - w/o PS	5PK870
					Alt. - w/o PS	11A0915
					Idler Pulley	38036
ESPERO	1995-97		2.0L 4 Cyl. 8v SOHC EFI	C20LE	Alt. & PS	6PK1255
					AC	13A0865
					PS	11A0850
KALOS	2003-05	T200	1.5L 4 Cyl. 8v SOHC EFI	F15S	Serp.	6PK1875
KORANDO	1998-00		3.2L 6 Cyl. 24v DOHC EFI	IL6	Serp.	6PK2230

* = NZ Vehicles Only

Model	Year	Variant	Engine	Engine Code	Description	Part Number
DAEWOO CONTINUED						
LACETTI	2003-04		1.8L 4 Cyl. 16v DOHC EFI	T18SED	Alt. - w/ AC	6PK1900
					Tensioner	38154
					Tensioner Pulley	36101
					Idler Pulley	36152
LANOS	1997-03	SE	1.5L 4 Cyl. 8v SOHC EFI	A15SMS	Alt. - w/ PS	5PK970
					Alt. - w/o PS	5PK870
					AC	13A0840
LANOS	1997-03	SE	1.5L 4 Cyl. 8v SOHC EFI	A15SMS	Alt. - w/ PS	5PK970
					Alt. - w/o PS	5PK870
					AC	13A0840
LANOS	1997-03	SE	1.5L 4 Cyl. 8v SOHC EFI	A15SMS	Alt. - w/ PS	5PK970
					Alt. - w/o PS	5PK870
					AC	13A0840
LANOS	1997-03	SX	1.6L 4 Cyl. 16v DOHC EFI	A16DMS	Alt. - w/ PS	5PK1015
					Alt. - w/o PS	5PK875
					AC	13A0840
					Tensioner	38376
					Idler Pulley	38036
LEGANZA	1997-99	SX	2.0L 4 Cyl. 16v DOHC MPFI	C20SED	Serp.	6PK1900
					Tensioner	38154
					Tensioner Pulley	36101
					Idler Pulley	36152
LEGANZA	1998-03	inc SX	2.2L 4 Cyl. 16v DOHC EFI	T22SED	Serp.	6PK1900
					Tensioner	38154
					Tensioner Pulley	36101
					Idler Pulley	36152
MATIZ	1999-04	KL	0.8L 3 Cyl. 6v SOHC EFI	F8CV	Alt.	10A0665
					AC - w/o PS	4PK735
					PS - w/ AC	4PK910
					PS - w/o AC	4PK650
MUSSO	1998-02		2.9L 5 Cyl. 10v SOHC Turbo Diesel EFI	M602	Serp.	6PK2100
MUSSO	1998-02		3.2L 6 Cyl. 24v DOHC EFI	M162	Serp.	6PK2250
NUBIRA	1997-01		1.6L 4 Cyl. 16v DOHC EFI	A16DMS	Serp.	6PK1875
					Tensioner	38376
					Tensioner Pulley	36101
NUBIRA	1997-99	J100	2.0L 4 Cyl. 16v DOHC MPFI	X20SED	Serp. - w/ PS	6PK1900
					Serp. - w/o PS	6PK1730
					Tensioner	38154
					Tensioner Pulley	36101
					Idler Pulley	36152
NUBIRA	1999-03	J150	2.0L 4 Cyl. 16v DOHC MPFI	X20SED	Serp. - w/ PS	6PK1900
					Serp. - w/o PS	6PK1730
					Tensioner	38154
					Tensioner Pulley	36101
					Idler Pulley	36152
TACUMA	2000-04		2.0L 4 Cyl. 16v DOHC MPFI	T20SED	Serp. w/ PS	6PK1900
					Serp. - w/o PS	6PK1730
					Tensioner	38200
					Tensioner Pulley	36101
					Idler Pulley	36152

Model	Year	Variant	Engine	Engine Code	Description	Part Number
DAIHATSU						
APPLAUSE	1989-99	A101	1.6L 4 Cyl. 16v SOHC EFI	HDE	Alt. & WP - w/ Man. Trans	4PK785
					Alt. & WP - w/ Auto. Trans.	4PK785
					AC - 4 Rib Belt	4PK840
					AC - 5 Rib Belt	5PK800
					PS - w/ AC	3PK550
					PS - w/o AC	3PK710
CHARADE	1978-84	G10	1.0L 3 Cyl. 6v SOHC Carb.	CB	Alt. & WP	11A0965
					AC	13A0850
CHARADE	1983-88	G11	1.0L 3 Cyl. 6v SOHC Carb.	CB	Alt.	11A0800
					AC	13A0900
CHARADE	1983-87	G30	* 1.0L 3 Cyl. 6v SOHC Diesel	CL	Alt.	11A0815
					AC	13A0875
CHARADE	1987-93	G100	1.0L 3 Cyl. 6v SOHC Carb.	CB	Alt. - Micro-V Belt	3PK875
					Alt. - V-Belt	11A0785
					AC	13A0900
					PS	3PK560
CHARADE	1987-93	G101	1.0L 3 Cyl. 6v SOHC Diesel	CL	Alt. & WP - w/ AC	11A0815
					Alt. & WP - w/o AC	11A0875
					AC	5PK800
					PS	3PK760
CHARADE	1988-96	G102	1.3L 4 Cyl. 16v SOHC EFI	HC-E	Alt.	4PK785
					AC	4PK835
					PS	3PK560
CHARADE	1988-96	G102	1.3L 4 Cyl. 16v SOHC EFI	HC-E	Alt.	4PK785
					AC	4PK830
					PS	3PK550
CHARADE	1993-98	G202	1.0L 3 Cyl. 6v SOHC Carb.	CB	Alt.	3PK875
					AC - Micro-V Belt	5PK800
					AC - V-Belt	13A0900
CHARADE	1993-00	G203	1.5L 4 Cyl. 16v SOHC EFI	HEE	Alt. Man. Trans.	4PK785
					Alt. Auto Trans.	4PK790
					AC	4PK825
					PS	3PK550
CHARADE	1995-99	CENTRO	659cc 3 Cyl. 12v SOHC EFI	EF-EL	Alt.	4PK715
					AC	10A0675
					PS	3PK735
CHARADE	2003-05	L251S	1.0L 3 Cyl. 12v DOHC EFI	EJDE	Alt.	4PK715
					AC	11A0700
					PS	3PK515
COPEN	2003-05	L880K	0.7L 3 Cyl. 12v SOHC EFI	EF-EL	AC	11A0735
CUORE	2000-06		989cc 3 Cyl. 12v DOHC EFI	EJ-DE	Alt.	4PK715
					AC	11A0700
					PS	3PK515
DELTA	1982-86	KB26	1.3L 4 Cyl. 8v OHV Carb.	4K	Alt. & Fan	11A0875
					AC	13A0990
DELTA	1983-85	CB27	2.0L 4 Cyl. 8v SOHC Diesel	2C	Fan & Alt.	13A0990
DELTA	1983-87	V54	2.8L 4 Cyl. 8v OHV Diesel	DL	Alt. & Fan	15A1105
					AC	13A0900
					PS	13A0775

* = NZ Vehicles Only

Model	Year	Variant	Engine	Engine Code	Description	Part Number
DAIHATSU CONTINUED						
DELTA	1983-87	V54	2.8L 4 Cyl. 8v OHV Diesel	DL	Alt. & Fan	15A1105
					AC	13A0900
					PS	13A0775
DELTA	1983-87	V54	2.8L 4 Cyl. 8v OHV Diesel	DL	Alt. & Fan	15A1105
					AC	13A0900
					PS	13A0775
DELTA	1983-87	V54	2.8L 4 Cyl. 8v OHV Diesel	DL	Alt. & Fan	15A1105
					AC	13A0900
					PS	13A0775
DELTA	1983-87	V54	2.8L 4 Cyl. 8v OHV Diesel	DL	Alt. & Fan	15A1105
					AC	13A0900
					PS	13A0775
DELTA	1984-88	V78	3.4L 4 Cyl. 8v OHV Diesel	13B	Alt. & Fan	15A1205
					AC	13A0900
DELTA	1984-88	V98	3.0L 4 Cyl. 8v OHV Diesel	B	Alt. & Fan	15A1205
					AC	13A0890
DELTA	1984-88	V98	3.0L 4 Cyl. 8v OHV Diesel	B	Alt. & Fan	15A1205
					AC	13A0890
DELTA	1985-92	CB26	1.8L 4 Cyl. 8v SOHC Diesel	1C	Alt. & Fan - w/ Man. Trans	5PK925
					Alt. & Fan - w/ Auto. Trans.	13A0990
					AC	13A0840
DELTA	1986-90	CB21G	2.0L 4 Cyl. 8v SOHC Diesel	2C	Alt. & Fan	5PK925
					AC	13A0875
DELTA	1986-96	YB21	2.0L 4 Cyl. 8v OHV EFI	3YE	Alt. & Fan	5PK825
					AC	13A1065
DELTA	1987-90	V76	3.4L 4 Cyl. 8v OHV Diesel	13B	Alt. & Fan	15A1205
					AC	13A0900
DELTA	1987-88	V79	3.4L 4 Cyl. 8v OHV Diesel	13B	Alt. & Fan	15A1205
					AC	13A0900
DELTA	1988-02	V116	3.7L 4 Cyl. 8v OHV Diesel	14B	Alt. & Fan	15A1245
DELTA	1988-02	V116	3.7L 4 Cyl. 8v OHV Diesel	14B	Alt. & Fan	15A1245
DELTA	1988-02	V116	3.7L 4 Cyl. 8v OHV Diesel	14B	Alt. & Fan	15A1245
DELTA	1990-94	KB27	1.5L 4 Cyl. 8v OHV Carb.	5K	Alt. & Fan - Micro-V Belt	5PK825
					Alt. & Fan - V-Belt	11A0875
					AC	13A0890
					PS	13A1040
FEROZA	1988-98	F300	1.6L 4 Cyl. 16v SOHC EFI	HD-E	Alt.	11A0785
					Alt. to 05/92	4PK715
					Alt. From 05/92	4PK785
					AC & PS	5PK1240
					AC - w/o PS	5PK1105
					PS	5PK975
FEROZA	1988-98	F300	1.6L 4 Cyl. 16v SOHC EFI	HD-E	Alt.	11A0785
					Alt. to 05/92	4PK715
					Alt. From 05/92	4PK785
					AC & PS	5PK1240
					AC - w/o PS	5PK1105
					PS	5PK975

Model	Year	Variant	Engine	Engine Code	Description	Part Number
DAIHATSU CONTINUED						
HANDIVAN	1982-86	L60	617cc 2 Cyl. 4v SOHC Carb.	AD	Alt. & Fan	11A0965
					AC	13A1205
HANDIVAN	1986-89	L80	846cc 3 Cyl. 6v SOHC Carb.	ED	Alt. & Fan	11A0760
HANDIVAN	1999-01	L701	989cc 3 Cyl. 12v DOHC EFI	EJ-DE	Alt.	4PK715
					AC	11A0710
					PS	3PK515
HI JET	1979-81	S60	547cc 2 Cyl. 4v OHV Carb.	AB	Alt. & Fan - w/ AC	11A1170
					Alt. & Fan - w/o AC	11A0965
					AC	13A0890
HI JET	1981-82	S65	547cc 2 Cyl. 4v OHV Carb.	AB	Alt. & Fan - w/ AC	11A0940
					Alt. & Fan - w/o AC	11A0915
					AC	13A0840
HI JET	1982-84	S70	1.0L 3 Cyl. 6v SOHC Carb.	CB	Alt. & Fan	11A0785
HI JET	1982-85	S70V	842cc 3 Cyl. 6v OHV Carb.	CD	Alt. & Fan	11A0760
HI JET	1983-86	S75	1.0L 3 Cyl. 6v SOHC Carb.	CB	Alt. & Fan	11A0785
HI JET	1983-86	S75	1.0L 3 Cyl. 6v SOHC Carb.	CB	Alt. & Fan	11A0785
HI JET	1983-86	S75	1.0L 3 Cyl. 6v SOHC Carb.	CB	Alt. & Fan	11A0785
HI JET	1983-86	S75	1.0L 3 Cyl. 6v SOHC Carb.	CB	Alt. & Fan	11A0785
HI JET	1983-86	S75	1.0L 3 Cyl. 6v SOHC Carb.	CB	Alt. & Fan	11A0785
HI JET	1984-86	S66	547cc 2 Cyl. 4v OHV Carb.	AB	Alt. & Fan	11A0965
					AC	13A0865
HI JET	1984-94	S85V	1.0L 3 Cyl. 6v SOHC Carb.	CB	Alt. & Fan	11A0785
HI JET	1986-90	S80	547cc 3 Cyl. 6v SOHC Carb.	EB	Alt. & Fan	11A0775
					PS	4PK760
HI JET	1986-90	S80	547cc 3 Cyl. 6v SOHC Carb.	EB	Alt. & Fan	11A0775
					PS	4PK760
HI JET	1987-95	S85T	1.0L 3 Cyl. 6v SOHC Carb.	CB	Alt. & Fan	11A0785
HI JET	1990-07	S82	* 660cc 3 Cyl. 6v SOHC Carb.	EF	Alt. & Fan	11A0785
					AC	11A0750
MIRA	1985-90	L70	547cc 3 Cyl. 6v SOHC Carb.	EB	Alt. & WP	11A0775
					AC - w/ Man. Trans (L70V)	11A0685
					AC - w/ Man. Trans (L70S)	10A0675
					AC - w/ Auto. Trans.	10A0650
MIRA	1990-92	L201	847cc 3 Cyl. 6v SOHC Carb.	ED	Alt. & WP - w/ Man. Trans	11A0760
					Alt. & WP - w/ Auto. Trans.	11A0785
MIRA	1992-95	L200	660cc 3 Cyl. 6v SOHC Carb.	EF-EL	Alt.	3PK780
					AC	11A0685
MIRA J	1992-95		659cc 3 Cyl. 12v SOHC EFI	EF-EL	Alt.	3PK780
					AC	11A0685
MOVE	1997-00	L601S	847cc 3 Cyl. 6v SOHC Carb.	ED	Alt.	11A0785
					AC	11A0660
PYZAR	1997-00	G301	1.6L 4 Cyl. 16v SOHC EFI	HDE	Alt.	4PK785
					AC	4PK830
PYZAR	1997-98	G303	1.5L 4 Cyl. 16v SOHC EFI	HEE	Alt. & WP	4PK785
					PS	3PK550

* = NZ Vehicles Only

Model	Year	Variant	Engine	Engine Code	Description	Part Number
DAIHATSU CONTINUED						
ROCKY	1985-87	F70	2.8L 4 Cyl. 8v OHV Diesel	DL	Alt.	15A1105
					AC - 1984-09/87	13A0890
					AC - 09/87-On	13A0865
					PS - 1984-09/87	13A0760
					PS - 10/87-On	13A0775
ROCKY	1985-87	F70	2.8L 4 Cyl. 8v OHV Turbo Diesel	DLT	Alt.	15A1105
					AC - 1984-09/87	13A0890
					AC - 09/87-On	13A0865
					PS - 1984-09/87	13A0760
					PS - 10/87-On	13A0775
ROCKY	1984-92	F75	2.8L 4 Cyl. 8v OHV Diesel	DL	Alt.	13A1040
					AC	13A0875
					PS	13A0795
ROCKY	1984-93	F75	2.8L 4 Cyl. 8v OHV Turbo Diesel	DLT	Alt.	13A1040
					AC	13A0875
					PS	13A0795
ROCKY	1986-93	F77	2.8L 4 Cyl. 8v OHV Diesel	DL	Alt.	13A1040
					AC	13A0875
					PS	13A0795
ROCKY	1986-93	F78	2.8L 4 Cyl. 8v OHV Turbo Diesel	DLT	Alt.	13A1040
					AC	13A0875
					PS	13A0795
ROCKY	1984-89	F80	2.0L 4 Cyl. 8v OHV Carb.	3YC	Alt. & Fan	4PK830
					AC	13A0890
					PS	13A0890
ROCKY	1984-90	F85	2.0L 4 Cyl. 8v OHV Carb.	3YC	Alt. & Fan	4PK830
					AC	13A0875
					PS	13A1050
ROCKY	1986-89	F87	2.0L 4 Cyl. 8v OHV Carb.	3YC	Alt. & Fan	4PK830
					AC	13A0875
					PS	13A1050
ROCKY	1987-89	F80	2.0L 4 Cyl. 8v OHV EFI	3YE	Alt. & Fan	4PK830
					AC	13A0875
					PS	13A1065
ROCKY	1990-97	F300	1.6L 4 Cyl. 16v SOHC EFI	HD	Alt. & Fan	11A0785
					PS - w/ AC	5PK1245
					PS - w/o AC	5PK975
ROCKY	1993-97	F73	2.8L 4 Cyl. 8v OHV Diesel	DL	Alt.	13A1040
					AC	13A0875
					PS	13A0795
SCAT	1978-84	F20	1.6L 4 Cyl. 8v OHV Carb.	12R	Alt. & Fan	13A0925
					Air Pump	11A0785
SCAT	1983-84	F50	2.5L 4 Cyl. 8v OHV Diesel	DG	Alt. & Fan	15A1105
					PS	13A0775
SCAT	1983-84	F50	2.5L 4 Cyl. 8v OHV Diesel	DG	Alt. & Fan	15A1105
					PS	13A0775
SCAT	1983-84	F60	2.8L 4 Cyl. 8v OHV Diesel	DL	Alt. & Fan	15A1105
					PS	13A0775
SCAT	1983-84	F60	2.8L 4 Cyl. 8v OHV Diesel	DL	Alt. & Fan	15A1105
					PS	13A0775

Model	Year	Variant	Engine	Engine Code	Description	Part Number
DAIHATSU CONTINUED						
SIRION	1998-05	M100S	1.0L 3 Cyl. 12v DOHC EFI	EJDE	Alt.	4PK715
					AC	11A0700
					PS	3PK515
SIRION	2000-04	M101S	1.3L 4 Cyl. 16v DOHC EFI	K3VE	Alt. - w/ AC	4PK1755
					Alt. - w/o AC	4PK1710
TERIOS	1997-01	J100G	1.3L 4 Cyl. 16v SOHC EFI	HCEJ	Alt.	4PK785
					PS - w/ AC	4PK1445
					PS - w/o AC	4PK1005
TERIOS	2000-05	J102G	1.3L 4 Cyl. 16v DOHC EFI	K3VE	Alt. & AC	4PK1640
					PS	3PK635
YRV	2001-04	M201G	1.3L 4 Cyl. 16v DOHC EFI	K3VE	Alt. & AC	4PK1640
					PS	3PK635
DAIMLER						
SOVEREIGN	1969-82		4.2L 6 Cyl. 12v DOHC Carb.	8L	Alt.	11A0900
					PS	13A1205
SOVEREIGN	1969-82		4.2L 6 Cyl. 12v DOHC EFI	7M	Alt.	11A0900
DATSUN						
1200	1970-74	B110	1.2L 4 Cyl. 8v SOHC Carb.	A12	Alt.	11A0850
					AC	13A0775
120Y	1974-79	B210	1.2L 4 Cyl. 8v SOHC Carb.	A12	Alt.	11A0900
					AC	13A0775
1600	1965-67		1.6L 4 Cyl. 8v SOHC Carb.	R16	Alt.	11A0925
1600	1968-72	P510	1.6L 4 Cyl. 8v SOHC Carb.	L16	Alt.	11A0925
180B	1972-77	P610	1.8L 4 Cyl. 8v SOHC Carb.	L18	Alt.	11A0925
200B	1977-81	P810	2.0L 4 Cyl. 8v SOHC Carb.	L20B	Alt.	11A0900
260C	1972-78		2.6L 6 Cyl. 12v SOHC Carb.	L26	Alt.	13A0890
					PS	13A1230
260Z	1974-78		2.6L 6 Cyl. 12v SOHC Carb.	L26	Alt.	13A0890
					PS	13A1230
Sunny	1978-83	B310	1.2L 4 Cyl. 8v OHV Carb.	A12	Alt.	11A0990
					AC	13A0875
Sunny	1978-82	B310	1.4L 4 Cyl. 8v OHV Carb.	A14	Alt.	11A0990
					AC	13A0875
Sunny	1979-83	B310	1.5L 4 Cyl. 8v OHV Carb.	A15	Alt.	11A0990
					AC	13A0795
DODGE						
CALIBER	2006-07		1.8L 4 Cyl. 16v DOHC EFI	7D	Serp. - w/ AC	6PK2555
					Serp. - w/o AC	6PK2030
CALIBER	2006-07		2.0L 4 Cyl. 16v DOHC EFI	7D	Serp. - w/ AC	6PK2555
					Serp. - w/o AC	6PK2045
CALIBER	2006-08		2.0L 4 Cyl. 16v DOHC Turbo Diesel	7D	Serp.	6PK1715
CALIBER	2006-07		2.4L 4 Cyl. 16v DOHC EFI	6D	Serp. - w/ AC	6PK2555
					Serp. - w/o AC	6PK2045
RAM	1997		5.9L V8 16v OHV EFI	56	Serp. - w/ AC	7PK2475
					Serp. - w/o AC	7PK2240
RAM	1997		8.0L V10 20v OHV EFI	2V	Serp. - w/ AC	7PK2870
					Serp. - w/o AC	7PK2620
VIPER	1993-03		8.0L V10 20v OHV EFI	2V	Serp.	7PK1970

* = NZ Vehicles Only

Model	Year	Variant	Engine	Engine Code	Description	Part Number
EUNOS						
30X	1992-98		1.8L V6 24v DOHC EFI	K8	Alt. - w/ AC	5PK1015
					Alt. - w/o AC	5PK865
					PS & WP	4PK915
500	1992-99		2.0L V6 24v DOHC EFI	KFZE	Alt. - w/ AC	5PK1015
					Alt. - w/o AC	5PK865
					PS & WP	4PK915
					Tensioner	36228
800	1992-01		2.5L V6 24v DOHC EFI	KLZE	Alt. - w/ AC	5PK1015
					Alt. - w/o AC	5PK865
					PS & WP	4PK915
FIAT						
124	1969-74	SPORT	1.4L 4 Cyl. 8v DOHC Carb.	1.4	Alt. & Fan	11A0815
128	1974-76		1.1L 4 Cyl. 8v SOHC Carb.	128A00	Alt. & WP	11A0825
128	1976-81	BELLO	1.3L 4 Cyl. 8v SOHC Carb.	128A100	Alt. & WP	11A0825
131	1975-82	MIRA FIORI TC/RACING	2.0L 4 Cyl. 8v DOHC Carb.	131B20	Alt. & WP - Upto Man. Transr. #1245775	11A0850
					Alt. & WP - From Man. Transr. #1245776	11A0840
131	1976-80	MIRA FIORI	1.6L 4 Cyl. 8v SOHC Carb.	131A10	Alt. & Fan	11A0815
131	1976-82		* 1.3L 4 Cyl. 8v OHV Carb.	131A60	Alt. & Fan	11A0815
132			1.6L 4 Cyl. 8v SOHC Carb.	132C50	Alt. & Fan	11A0850
					AC	11A1090
132	1973-78		1.8L 4 Cyl. 8v DOHC Carb.	132B23	Alt. & Fan	11A0850
					AC	11A1090
ARGENTA	1982-85		* 2.0L 4 Cyl. 8v DOHC Carb.	132D1000	Alt. & Fan	11A0840
					AC	11A1105
CITY VAN	1989-91		* 1.1L 4 Cyl. 8v SOHC Carb.	146A4046	Alt.	11A1005
DUCATO	1988-92		* 2.5L 4 Cyl. 8v SOHC Diesel	814067	Alt.	11A0710
					WP	11A0825
					VAC Pump	11A0610
DUCATO	2002-07	VAN AND MAXI VAN	2.8L 4 Cyl. 8v SOHC Turbo DI	8140435	Alt. - w/ Man. Ten.	6PK955
					Alt. - w/ Auto. Ten.	6PK990
					AC	5PK1100
FIORINO	1989-97		* 1.3L 4 Cyl. 8v SOHC Carb.	146A5000	Alt.	11A1005
PANDA	1986-90		* 1.0L 4 Cyl. 8v SOHC Carb.	156A2100	Alt. & WP - Micro-V Belt	4PK685
					Alt. & Fan - V-Belt	10A0675
PUNTO	1999-07		* 1.2L 4 Cyl. 16v DOHC EFI	188A5000	Tensioner	38370
REGATA	1984-88	100S	* 1.6L 4 Cyl. 8v DOHC Carb.	149C3000	Alt. & WP - w/ AC	11A0915
					Alt. & WP - w/o AC	11A0940
					AC	11A0825
REGATA	1984-87	85S	1.5L 4 Cyl. 8v SOHC Carb.	138B3023	WP - w/ AC	11A0685
					Alt. - w/ AC	11A0545
					Alt. & WP - w/o AC	11A0825
					AC	11A0825
REGATA	1984-87	85S	1.5L 4 Cyl. 8v SOHC Carb.	149C1023	WP - w/ AC	11A0685
					Alt. - w/ AC	11A0545
					Alt. & WP - w/o AC	11A0825
					AC	11A0825

* = NZ Vehicles Only

Model	Year	Variant	Engine	Engine Code	Description	Part Number
FIAT CONTINUED						
RITMO	1981-85	85S	* 1.5L 4 Cyl. v SOHC Carb.	138A200	Alt. & WP	11A0825
RITMO	1984-86	130TC	* 2.0L 4 Cyl. 8v DOHC Carb.	1995cc	Alt. & WP	11A0850
STILO	2002-04		1.6L 4 Cyl. 16v DOHC EFI	182B6000	AC	4PK9175F
					SF Inst. Tool	SFT001
STILO	2002-05		* 1.7L 4 Cyl. 16v DOHC EFI	192A4000	Idler	36207
SUPER BRAVA	1981-85		2.0L 4 Cyl. 8v SOHC Carb.	131C40	Alt. & Fan	11A0850
					AC	11A0850
TEMPRA	1991-95		* 1.6L 4 Cyl. 8v SOHC EFI	159A3048	Alt. - w/ PS - Auto. Trans.	4PK925
					Alt. - w/ PS - Man. Trans	5PK925
					Alt. - w/o PS, w/ AC - Auto. Trans.	4PK925
					Alt. - w/o PS, w/ AC - Man. Trans	4PK960
					AC	11A1055
					PS - Auto. Trans.	11A0735
					PS - Man. Trans	11A0685
					TEMPRA	1991-95
AC	13A0900					
PS - w/ AC	13A0735					
PS - w/o AC	13A0900					
TIPO	1989-94		* 1.4L 4 Cyl. 8v SOHC Carb.	159A2000	Alt. & WP - w/ PS, w/ AC - 4 Rib Belt	4PK925
					Alt. & WP - w/ PS, w/ AC - 5 Rib Belt	5PK965
					Alt. & WP - w/o PS, w/ AC	4PK960
					Alt. & WP - w/ PS, w/o AC - 4 Rib Belt	4PK925
					Alt. & WP - w/ PS, w/o AC - 5 Rib Belt	5PK965
					Alt. & WP - w/o PS, w/o AC - 3 Rib Belt	3PK895
					Alt. & WP - w/o PS, w/o AC - 4 Rib Belt	4PK915
					AC	13A1055
					PS	11A0735
					TIPO	1989-94
Alt. & WP - w/ PS, w/ AC - 5 Rib Belt	5PK965					
Alt. & WP - w/o PS, w/ AC	4PK960					
Alt. & WP - w/ PS, w/o AC - 4 Rib Belt	4PK925					
Alt. & WP - w/ PS, w/o AC - 5 Rib Belt	5PK965					
Alt. & WP - w/o PS, w/o AC - 3 Rib Belt	3PK895					
Alt. & WP - w/o PS, w/o AC - 4 Rib Belt	4PK915					
AC	13A1055					
PS	11A0735					
UNO	1983-93	45	* 1.0L 4 Cyl. 8v OHV Carb.	146A000		
UNO	1983-93		* 1.0L 4 Cyl. 8v SOHC EFI	156A2246	Alt. - Micro-V Belt	3PK680
					Alt. - V-Belt	10A0675
UNO	1985-91		* 1.3L 4 Cyl. 8v SOHC Turbo EFI	146A2146	Alt.	11A0840
UNO	1986-90	70	* 1.3L 4 Cyl. 8v SOHC Carb.	138B2000	Alt.	11A0825

* = NZ Vehicles Only

Model	Year	Variant	Engine	Engine Code	Description	Part Number
FIAT CONTINUED						
UNO	1990-92	70	* 1.4L 4 Cyl. 8v SOHC EFI	160A1046	Alt. & AC	4PK960
					Alt. - w/o AC	4PK915
UNO	1990-92	60S	* 1.1L 4 Cyl. 8v SOHC EFI	160A3000	Alt. - Micro-V Belt	3PK680
					Alt. - V-Belt	10A0675
X1/9	1979-87		1.5L 4 Cyl. 8v SOHC Carb.	138A4000	Alt. & WP	11A0815
					Alt. - w/ AC	11A0545
					WP & AC	11A0815
X1/9	1988-89	Sports	1.5L 4 Cyl. 8v SOHC EFI	138B5031	Alt. & WP	11A0815
					Serp. - w/ AC	11A0545
					WP & AC	11A0815
FORD						
BRONCO	1981-85	F100	4.1L 6 Cyl. 12v SOHV Carb.	250	Alt.	11A1055
					AC	11A1395
					PS	11A1155
BRONCO	1981-85		5.8L V8 16v OHV Carb.	351 Cleveland	Alt. - w/ AC & PS	11A1090
					Alt. - w/ PS	11A1030
					Alt. & Fan - w/o PS, w/o AC	11A1015
					Fan & PS - w/ AC	13A1320
					Fan & PS - w/o AC	13A1345
					AC	13A1410
BRONCO	1985-87		4.9L V8 16v OHV Carb.	302 Cleveland	Alt. - w/ AC & PS	11A1090
					Alt. - w/o PS	11A1015
					AC	13A1410
					PS - w/ AC	13A1320
					PS - w/o AC	13A1345
					Tensioner	38115
Tensioner Pulley	38007					
CAPRI	1989-94	SA	1.6L 4 Cyl. 16v DOHC MPFI	B6	Alt.	11A0890
					AC	4PK890
					AC - w/o PS	4PK970
					PS - w/o AC	4PK875
CAPRI	1989-94	SA	1.6L 4 Cyl. 16v DOHC Turbo EFI	B6T	Alt.	11A0890
					AC - w/ PS	4PK890
					AC - w/o PS	4PK970
					PS - w/o AC	4PK875
CAPRI	1989-94	SA	1.6L 4 Cyl. 8v SOHC EFI	B6	Alt.	11A0890
					AC	4PK890
					AC - w/o PS	4PK970
					PS - w/o AC	4PK875
CAPRI	1992-93	SC	1.6L 4 Cyl. 16v DOHC EFI	B6	Alt.	11A0890
					AC - w/ PS	4PK980
					PS - w/o AC	4PK875
CAPRI	1992-93	SC	1.6L 4 Cyl. 16v DOHC Turbo EFI	B6T	Alt.	11A0890
					AC - w/ PS	4PK980
					PS - w/o AC	4PK875
CAPRI	1993-95	SE	1.6L 4 Cyl. 16v DOHC EFI	B6	Alt.	11A0890
					AC - w/ PS	4PK980
					AC - w/o PS	4PK970
					PS - w/o AC	4PK875

Model	Year	Variant	Engine	Engine Code	Description	Part Number
FORD CONTINUED						
CAPRI	1993-94	SE	1.6L 4 Cyl. 16v DOHC Turbo EFI	B6T	Alt.	11A0890
					AC - w/ PS	4PK980
					AC - w/o PS	4PK970
					PS - w/o AC	4PK875
CORSAIR	1989-92	UA	2.0L 4 Cyl. 8v SOHC EFI	CA20E	Alt.	4PK735
					AC	6PK880
					AC (Aftermarket)	5PK1060
					AC - w/o PS	4PK855
					PS	4PK890
CORSAIR	1989-92	UA	2.4L 4 Cyl. 12v SOHC EFI	KA24E	Alt.	6PK1300
					AC	4PK875
CORTINA	1971-73	TC	2.0L 4 Cyl. 8v SOHC Carb.	2.0	Alt.	11A0850
CORTINA	1972-74	TC	1.6L 4 Cyl. 8v OHV Carb.	711M	Alt.	11A0815
CORTINA	1972-74	TC	3.3L 6 Cyl. 12v OHV Carb.	200	Alt. & Fan	11A1080
					AC	13A0940
					PS	11A1155
CORTINA	1972-74	TC	4.1L 6 Cyl. 12v OHV Carb.	250	Alt. & Fan	11A1080
					AC	13A0940
					PS	11A1155
CORTINA	1974-77	TD	2.0L 4 Cyl. 8v SOHC Carb.	2.0	Alt. & Fan	11A0850
CORTINA	1974-77	TD	3.3L 6 Cyl. 12v OHV Carb.	200	Alt. & Fan	11A1080
					AC	13A0940
					PS	11A1155
CORTINA	1974-77	TD	4.1L 6 Cyl. 12v OHV Carb.	250	Alt. & Fan	11A1080
					AC	13A0940
					PS	11A1155
CORTINA	1977-80	TE	2.0L 4 Cyl. 8v SOHC Carb.	2.0	Alt. - w/ AC	11A0915
					Alt. - w/o AC	11A0850
					AC	13A1145
CORTINA	1977-80	TE	3.3L 6 Cyl. 12v OHV Carb.	200	Alt. & Fan	11A1080
					AC	13A0940
					PS	11A1155
CORTINA	1977-80	TE	4.1L 6 Cyl. 12v OHV Carb.	250	Alt. & Fan	11A1080
					AC	13A0940
					PS	11A1155
CORTINA	1980-82	TF	2.0L 4 Cyl. 8v SOHC Carb.	2.0	Alt. - w/ AC	10A0650
					Alt. - w/o AC	11A0865
					AC	11A0980
					Fan & AC	11A0980
CORTINA	1980-82	TF	3.3L 6 Cyl. 12v OHV Carb.	200	Alt. - w/ AC	11A1055
					Alt. - w/o AC	11A1015
					AC	13A0940
					PS	11A1155
CORTINA	1980-82	TF	4.1L 6 Cyl. 12v OHV Carb.	250	Alt. - w/ AC	11A1055
					Alt. - w/o AC	11A1015
					AC	13A0940
					PS	11A1155

* = NZ Vehicles Only

Model	Year	Variant	Engine	Engine Code	Description	Part Number
FORD CONTINUED						
COUGAR	1999-01	SW	2.5L V6 24v DOHC EFI	Duratec	Alt. - w/ AC	6PK1815
					Alt. - w/o AC	6PK1590
					Tensioner	38188
					Idler Pulley	38018
COUGAR	2001-03	SX	2.5L V6 24v DOHC EFI	Duratec	Alt. - w/ AC	6PK1815
					Alt. - w/o AC	6PK1590
					Tensioner	38188
					Idler Pulley	38018
COURIER	1978-82		1.8L 4 Cyl. SOHC Carb.	VC	Alt.	13A0915
COURIER	1982-85		2.0L 4 Cyl. 8v SOHC Carb.	MA	Alt.	13A0940
COURIER	1984-96	PC	2.2L 4 Cyl. 8v SOHC Diesel	R2	Alt. - 990mm long belt	13A0990
					Alt. - 1120mm long belt	13A1120
					AC	13A0915
COURIER	1985-92		2.0L 4 Cyl. 8v SOHC Carb.	FE	Alt.	13A0980
					AC	13A0940
COURIER	1987-90	PC	2.6L 4 Cyl. 8v SOHC Carb.	4G54	Alt. & Fan	11A0950
					AC	11A1055
					PS	13A0710
COURIER	1988-96	PC	2.6L 4 Cyl. 12v SOHC EFI	G6	Alt. & Fan	13A1065
					AC - 1145mm belt	13A1145
					AC - 1195mm belt	13A1195
					PS	13A0925
COURIER	1988-93		2.2L 4 Cyl. 8v SOHC Carb.	F2	Alt.	13A0990
					AC	13A0915
COURIER	1996-98	PD	2.5L 4 Cyl. 12v SOHC Diesel	WL	Alt. & Fan	13A1100
					AC	13A1030
COURIER	1996-99	PD	2.6L 4 Cyl. 12v SOHC EFI	G6	Alt. & Fan	13A1065
					AC - 1145mm belt	13A1145
					AC - 1195mm belt	13A1195
					PS	13A0925
COURIER	1998-02	PE	2.5L 4 Cyl. 12v SOHC Diesel	WL	Alt. & Fan	13A1100
					AC	13A1030
COURIER	1999-02	PE	2.5L 4 Cyl. 12v SOHC Turbo Diesel	WLT	Alt.	13A1100
					AC	13A1030
COURIER	1999-02	PE	2.6L 4 Cyl. 12v SOHC EFI	G6	Alt. & Fan	13A1065
					AC - 1145mm belt	13A1145
					AC - 1195mm belt	13A1195
					PS	13A0925
COURIER	2002-04	PG	2.5L 4 Cyl. 12v SOHC Turbo Diesel	WLT	Alt.	13A1100
					AC	13A1030
COURIER	2002-04	PG	2.6L 4 Cyl. 12v SOHC EFI	G6	Alt.	13A1065
					AC - 1145mm belt	13A1145
					AC - 1195mm belt	13A1195
					PS	13A0925
COURIER	2004-06	PH	2.5L 4 Cyl. 12v SOHC Turbo Diesel	WLT	Alt.	13A1100
					AC	13A1030

Model	Year	Variant	Engine	Engine Code	Description	Part Number
FORD CONTINUED						
COURIER	2004-06	PH	2.6L 4 Cyl. 12v SOHC EFI	G6	Alt.	13A1065
					AC - 1145mm belt	13A1145
					AC - 1195mm belt	13A1195
					PS	13A0925
COURIER	2004-06	PH	4.0L V6 12v SOHC EFI	1V	Serp.	6PK2200
ECONOVAN	1979-84		1.6L 4 Cyl. 8v SOHC Carb.	NA	Alt. & Fan	13A0920
ECONOVAN	1981-84		2.2L 4 Cyl. 8v SOHC Diesel	S2	Alt.	13A1125
					AC	13A0915
ECONOVAN	1984-97		1.8L 4 Cyl. 12v SOHC Carb.	F8	Alt. & Fan	13A0990
					AC	13A0940
ECONOVAN	1984-97		1.8L 4 Cyl. 8v SOHC Carb.	F8	Alt. & Fan	13A0990
					AC	13A0940
ECONOVAN	1984-87		2.0L 4 Cyl. 8v SOHC Carb.	FE	Alt.	13A0980
					AC	13A0940
					PS	13A0660
ECONOVAN	1984-97		2.2L 4 Cyl. 8v SOHC Diesel	R2	Alt.	13A1125
					AC	13A0915
					PS	13A0890
ECONOVAN	1997-99	JG	2.0L 4 Cyl. 8v SOHC Carb.	FE	Alt.	13A0980
					AC	13A0940
					PS	13A0660
ECONOVAN	1997-99	JG	2.0L 4 Cyl. 8v SOHC EFI	FE	Alt.	13A0980
					AC	13A0965
					PS - w/ AC	4PK1145
					PS - w/o AC	13A0775
ECONOVAN	1999-05	JH	2.0L 4 Cyl. 8v SOHC EFI	FE	Alt.	13A0940
					AC	13A0965
					PS - w/ AC	4PK1145
					PS	13A0775
ESCAPE	2001-03	BA	3.0L V6 24v DOHC EFI	AJ	Alt. & Fan - w/ AC	6PK2095
					WP	3PK680
					Tensioner	38186
					Tensioner Pulley	38008
					Idler Pulley	38018
ESCAPE	2003-04	ZA	3.0L V6 24v DOHC EFI	AJ	Alt. & Fan - w/ AC	6PK2095
					WP	3PK680
ESCAPE	2004-06	ZB	2.3L 4 Cyl. 16v DOHC EFI	L3	Serp.	6PK2275
ESCAPE	2004-06	ZB	3.0L V6 24v DOHC EFI	AJ	Alt. & Fan - w/ AC	6PK2095
					WP	3PK680
ESCAPE	2006-08	ZC	2.3L 4 Cyl. 16v DOHC EFI	L3	Serp.	6PK2275
ESCAPE	2006-08	ZC	3.0L V6 24v DOHC EFI	AJ	Serp.	6PK2135
ESCAPE	2008-09	ZD	2.3L 4 Cyl. 16v DOHC VVT EFI	L3	Serp.	6PK2275
ESCORT	1968-75	Mk I	1.1L 4 Cyl. 8v OHV Carb.	1098	Alt. - 735mm Belt	11A0735
					Alt. - 815mm Belt	11A0815
ESCORT	1968-75	Mk I	1.3L 4 Cyl. 8v OHV Carb.	1298	Alt.	11A0815
ESCORT	1971-72	Mk I	1.6L 4 Cyl. 16v DOHC Carb.	1560	Alt.	11A0815
ESCORT	1975-82	Mk II	1.6L 4 Cyl. 8v OHV Carb.	1598	Alt.	11A0815
ESCORT	1977-81	Mk II	2.0L 4 Cyl. 8v SOHC Carb.	2.0	Alt. & Fan - w/ AC	11A0915
					Alt. & Fan - w/o AC	11A0850
					AC	13A1140

* = NZ Vehicles Only

Model	Year	Variant	Engine	Engine Code	Description	Part Number
FORD CONTINUED						
ESCORT	1990-00		* 1.8L 4 Cyl. 16v DOHC EFI	ZH18	Idler	36199
					Idler	36200
ESCORT	1997-00		* 1.6L 4 Cyl. 16v DOHC EFI	ZH16	Tensioner	38467
					Idler	36175
EXPLORER	1996-97	UN	4.0L V6 12v OHV EFI	4.0	Serp.	6PK2230
					Tensioner	38102
					Tensioner pulley	38008
					Idler Pulley	38001
EXPLORER	1996-00	UP	4.0L V6 12v OHV EFI	4.0	Serp.	6PK2230
					Tensioner	38102
					Tensioner pulley	38008
					Idler Pulley	38001
EXPLORER	1996-00	UP	4.0L V6 12v SOHC EFI	4.0	Serp.	6PK2200
EXPLORER	1996-00	UP	4.0L V6 12v OHV EFI	4.0	Serp.	6PK2230
					Tensioner	38102
					Tensioner pulley	38008
					Idler Pulley	38001
EXPLORER	1996-00	UP	4.0L V6 12v SOHC EFI	4.0	Serp.	6PK2230
					Tensioner	38102
					Tensioner pulley	38008
					Idler Pulley	38001
EXPLORER	2000-01	US	4.0L V6 12v SOHC EFI	4.0	Serp.	6PK2200
EXPLORER	2001-01	US	4.0L V6 12v OHV EFI	4.0	Serp.	6PK2230
					Tensioner	38102
					Tensioner pulley	38008
					Idler Pulley	38001
EXPLORER	2001-03	UT	4.0L V6 12v SOHC EFI	4.0	Serp.	6PK2170
EXPLORER	2001-03	UT	4.0L V6 12v SOHC EFI	4.0	Serp.	6PK2170
EXPLORER	2001-05	UT	4.6L V8 24v SOHC EFI	2ZA	Serp.	6PK2555
EXPLORER	2001-05	UT	4.6L V8 24v SOHC EFI	2ZA	Serp.	6PK2555
EXPLORER	2001-05	UT	4.6L V8 24v SOHC EFI	2ZA	Serp.	6PK2555
EXPLORER	2003	UX	4.0L V6 12v SOHC EFI	4.0	Serp.	6PK2170
EXPLORER	2003-08	UZ	4.0L V6 12v SOHC EFI	4.0	Serp.	6PK2170
F100	1970-77		4.1L 6 Cyl. 12v OHV Carb.	250	Alt.	11A1055
					AC	13A1310
F100	1977-85		4.1L 6 Cyl. 12v OHV Carb.	250	Alt.	11A1080
					AC	11A1395
F100	1977-85		4.9L V8 16v OHV Carb.	302 Cleveland	Alt. - w/ AC & PS	11A1090
					Alt. - w/o PS	11A1015
					AC	13A1410
					PS - w/ AC	13A1320
					PS - w/o AC	13A1345
F100	1977-85		5.8L V8 16v OHV Carb.	351 Cleveland	Alt. - w/ AC & PS	11A1090
					Alt. - w/o PS	11A1015
					AC	13A1410
					PS - w/o AC	13A1345
F100	1985-87		4.9L V8 16v OHV EFI	302 Cleveland	Serp.	6PK2305
					Alt. - Micro-V Belt	3PK625
					Alt. - V-Belt	11A0950

* = NZ Vehicles Only

Model	Year	Variant	Engine	Engine Code	Description	Part Number
FORD CONTINUED						
F150	1987-90		4.9L V8 16v OHV Carb.	302 Cleveland	Serp.	6PK2305
					Alt. - Micro-V Belt	3PK625
					Alt. - V-Belt	11A0950
F250	1973-90		5.8L V8 16v OHV Carb.	351 Cleveland	Serp.	6PK2385
F250			4.2L 6 Cyl. 12v OHV Turbo Diesel	4.2	Serp. - w/ AC	6PK2275
					Serp. - w/ AC - w/ 8 point drive	6PK2620
					Serp. - w/o AC - w/ 6 point drive	6PK2125
					Serp. - w/o AC - w/ 7 point drive	6PK2460
F250	2001-07		5.4L V8 24v SOHC MPFI	5.4	Serp. - w/ AC	8PK2515
					Serp. - w/o AC	8PK2025
					Serp. - Supercharger	8PK1675
					Tensioner	38274
					Tensioner - w/ AC	38133
					Tensioner Pulley	38023
					Idler Pulley	38022
F250	2001-07		7.3L 16v OHV Turbo Diesel	7.3	Serp.	8PK3105
					Tensioner	38191
					Tensioner Pulley	38053
					Idler Pulley	38028
					Idler Pulley	38033
F350	2001-03		5.4L V8 16v OHV Turbo Diesel	5.4	Serp. - w/ AC	8PK2515
					Serp. - w/o AC	8PK2025
					Serp. - Supercharger	8PK1675
					Tensioner	38274
F350	2001-07		7.3L V8 16v OHV Turbo Diesel	7.3	Serp.	8PK3105
					Tensioner	38191
					Tensioner Pulley	38053
					Idler Pulley	38033
					Idler Pulley	38028
FAIRLANE	1967-68	ZA	3.3L 6 Cyl. 12v OHV Carb.	200	Fan, Alt. & AC	11A1130
					Alt. & Fan - w/o AC	11A0865
					PS	11A1195
FAIRLANE	1967-68	ZA	4.7L V8 16v OHV Carb.	289	Alt.	11A1030
					AC	13A1205
					PS - upto Ser. # 51277	13A1150
					PS - from Ser. # 51278	13A1055
FAIRLANE	1968-69	ZB	3.6L 6 Cyl. 12v OHV Carb.	221	Fan, Alt. & AC	11A1195
					Alt. & Fan - w/o AC	13A0915
					PS	11A1030
FAIRLANE	1968-72	ZB	4.9L V8 16v OHV Carb.	302 Windsor	Alt.	11A1030
					AC	13A1370
					Fan & PS	11A1180

* = NZ Vehicles Only

Model	Year	Variant	Engine	Engine Code	Description	Part Number
FORD CONTINUED						
FAIRLANE	1968-69	ZC	4.9L V8 16v OHV Carb.	302 Cleveland	Fan & PS - w/ AC	13A1285
					Alt. - w/o AC, w/ PS	11A1030
					Fan & PS - w/o AC	13A1310
					Alt. & Fan - w/o AC, w/o PS	11A1080
					AC	13A1410
FAIRLANE	1968-72	ZD	4.9L V8 16v OHV Carb.	302 Cleveland	Alt. & Fan - w/o AC, w/o PS	11A1080
					Fan & PS - w/o AC	13A1310
FAIRLANE	1969-70	ZC	3.6L 6 Cyl. 12v OHV Carb.	221	Fan, Alt. & AC	11A1195
					Alt. & Fan - w/o AC	13A0915
					PS	11A1030
FAIRLANE	1969-70	ZC	4.9L V8 16v OHV Carb.	302 Cleveland	Fan & PS - w/ AC	13A1285
					Alt. - w/o AC, w/ PS	11A1030
					Alt. & Fan - w/o AC, w/o PS	11A1080
					AC	13A1410
					Fan & PS - w/o AC	13A1310
FAIRLANE	1969-70	ZC	4.9L V8 16v OHV Carb.	302 Windsor	Alt.	11A1030
					AC	13A1335
					Fan & PS	11A1180
FAIRLANE	1969-70	ZC	5.8L V8 16v OHV Carb.	351 Cleveland	Alt. - w/o AC, w/ PS	11A1030
					Alt. - w/o AC, w/o PS	11A1080
					Fan & PS - w/o AC	13A1395
					Fan & PS - w/ AC	13A1310
					AC	13A1410
FAIRLANE	1969-70	ZC	5.8L V8 16v OHV Carb.	351 Windsor	Alt. & Fan - w/o AC, w/o PS	11A1080
					Alt.	11A1030
					AC	13A1370
					Fan & PS	11A1180
FAIRLANE	1970-72	ZD	4.1L 6 Cyl. 12v OHV Carb.	250	Alt.	11A1080
					PS	11A1155
FAIRLANE	1970-72	ZD	4.9L V8 16v OHV Carb.	302 Windsor	Fan - PS - w/ AC	13A1285
					Fan - PS - w/o AC	13A1310
FAIRLANE	1970-72	ZD	5.8L V8 16v OHV Carb.	351 Cleveland	Alt. - w/o AC, w/ PS	11A1015
					Alt. & Fan - w/o AC, w/o PS	11A1080
					Fan & PS - w/ AC	13A1310
					Fan & PS - w/o AC	13A1395
					AC	13A1410
FAIRLANE	1972-73	ZF	4.1L 6 Cyl. 12v OHV Carb.	250	Fan, Alt. & AC	11A1195
					Alt. & Fan - w/o AC	11A1080
					PS	11A1155

Model	Year	Variant	Engine	Engine Code	Description	Part Number
FORD CONTINUED						
FAIRLANE	1972-79	ZF	4.9L V8 16v OHV Carb.	302 Cleveland	Alt. & Fan - w/ Std. Cool.	11A1090
					Alt. - w/o AC, w/ PS	11A1015
					Fan & PS - w/ AC (To Sept. 1978)	13A1285
					Fan & PS - From Sept. 1978	13A1345
					Fan & PS - w/o AC (To Sept. 1978)	13A1310
					Fan - w/o PS	13A1205
					AC	13A1410
FAIRLANE	1972-73	ZF	5.8L V8 16v OHV Carb.	351 Cleveland	Alt. & Fan - w/ Std. Cool.	11A1090
					Alt. - w/ AC	11A1015
					Alt. - w/o AC, w/ PS	11A1015
					Fan & PS - w/ AC	13A1285
					Fan & PS - w/o AC	13A1310
					Fan - w/o PS	13A1205
					AC	13A1410
FAIRLANE	1973-76	ZG	4.1L 6 Cyl. 12v OHV Carb.	250	Fan, Alt. & AC	11A1195
					Alt. & Fan - w/o AC	11A1080
					PS	11A1155
FAIRLANE	1973-76	ZG	4.9L V8 16v OHV Carb.	302 Cleveland	Alt. & Fan - w/ Std. Cool.	11A1090
					Alt. - w/o AC, w/ PS	11A1015
					Fan & PS - w/ AC (To Sept. 1978)	13A1285
					Fan & PS - From Sept. 1978	13A1345
					Fan & PS - w/o AC (To Sept. 1978)	13A1310
					Fan - w/o PS	13A1205
					AC	13A1410
FAIRLANE	1973-76	ZG	5.8L V8 16v OHV Carb.	351 Cleveland	Alt. & Fan - w/ Std. Cool.	11A1090
					Alt. - w/ AC	11A1015
					Alt. - w/o AC, w/ PS	11A1015
					Fan & PS - w/ AC	13A1285
					Fan & PS - w/o AC	13A1310
					Fan - w/o PS	13A1205
					AC	13A1410
FAIRLANE	1976-79	ZH	4.9L V8 16v OHV Carb.	302 Cleveland	Alt. & Fan - w/ Std. Cool.	11A1090
					Alt. - w/o AC, w/ PS	11A1015
					Fan & PS - w/o AC (To Sept. 1978)	13A1310
					Fan & PS - w/ AC (To Sept. 1978)	13A1285
					Fan & PS - From Sept. 1978	13A1345
					Fan - w/o PS	13A1205
					AC	13A1410

* = NZ Vehicles Only

Model	Year	Variant	Engine	Engine Code	Description	Part Number
FORD CONTINUED						
FAIRLANE	1976-79	ZH	5.8L V8 16v OHV Carb.	351 Cleveland	Alt. & Fan - w/ Std. Cool.	11A1090
					Alt. - w/ AC	11A1015
					Alt. - w/o AC, w/ PS	11A1015
					Fan & PS - w/ AC	13A1285
					Fan & PS - w/o AC	13A1310
					Fan - w/o PS	13A1205
					AC	13A1410
FAIRLANE	1979-82	ZJ	4.1L 6 Cyl. 12v OHV Carb.	250	Fan, Alt. & AC	11A1195
					Alt. & Fan - w/o AC (1979-82)	11A1080
					Alt. & Fan - w/o AC (1982-84)	11A1015
					PS	11A1155
FAIRLANE	1979-82	ZJ	4.9L V8 16v OHV Carb.	302 Cleveland	Alt. & Fan - w/o AC, w/o PS	11A1090
					Alt. - w/o AC, w/ PS (1979-82)	11A1015
					Fan & PS - w/ AC	13A1320
					Fan & PS - w/o AC	13A1345
					Fan - w/o PS	13A1205
					AC - (To Sept. 1980)	13A1410
					AC - (From Sept. 1980)	13A1395
FAIRLANE	1979-82	ZJ	5.8L V8 16v OHV Carb.	351 Cleveland	Alt. & Fan - w/o AC, w/o PS	11A1090
					Alt. - w/ AC (1979-82)	11A1015
					Alt. - w/o AC, w/ PS (1979-82)	11A1015
					Fan & PS - w/ AC	13A1320
					Fan & PS - w/o AC	13A1345
					Fan - w/o PS	13A1205
					AC - (To Sept. 1980)	13A1410
					AC - (From Sept. 1980)	13A1395
FAIRLANE	1982-84	ZK	4.1L 6 Cyl. 12v OHV Carb.	250	Alt. - w/ Sanden Comp.	11A1055
					AC - w/ Sanden Comp.	11A0980
					PS	11A1155
FAIRLANE	1982-84	ZK	4.9L V8 16v OHV Carb.	302 Cleveland	Alt. & Fan - w/o AC, w/o PS	11A1090
					Alt. - w/o AC, w/o PS - w/ H.D. Cool	11A1040
					Fan & PS - w/ AC	13A1310
					Fan & PS - w/o AC	13A1345
					Fan - w/o PS	13A1205
					AC	13A1395

Model	Year	Variant	Engine	Engine Code	Description	Part Number
FORD CONTINUED						
FAIRLANE	1982-84	ZK	5.8L V8 16v OHV Carb.	351 Cleveland	Alt. - w/ AC	11A1030
					Alt. & Fan - w/o AC, w/o PS	11A1090
					Alt. - w/o AC, w/o PS - w/ H.D. Cool	11A1040
					Alt. - w/o AC, w/ PS (1982-84)	11A1030
					AC	13A1395
					Fan & PS - w/ AC	13A1320
					Fan & PS - w/o AC	13A1345
FAIRLANE	1984-88	ZL	4.1L 6 Cyl. 12v OHV Carb.	250	Alt. - w/ AC	11A1040
					Alt. - w/o AC	11A1055
					AC - w/ CM3212 Comp.	11A0940
					AC - w/ Sanden Comp.	11A0890
					PS	11A1170
FAIRLANE	1984-88	ZL	4.1L 6 Cyl. 12v OHV EFI	250	Alt. - w/ AC	11A1040
					Alt. - w/o AC	11A1055
					AC - w/ CM3212 Comp.	11A0940
					AC - w/ Sanden Comp.	11A0890
					PS	11A1170
FAIRLANE	1988-91	NA	3.9L 6 Cyl. 12v SOHC EFI	3.9	Alt. & Fan - Micro-V Belt	3PK895
					Alt. - V-Belt	11A0915
					Idler Pulley - AC	38001
					Idler Pulley - PS	38003
FAIRLANE	1991-92	NB	3.9L 6 Cyl. 12v SOHC EFI	3.9	Alt. & Fan - Micro-V Belt	3PK895
					AC	5PK915
					PS	11A1155
FAIRLANE	1991-92	NB	3.9L 6 Cyl. 12v SOHC EFI	3.9	Alt. & Fan - Micro-V Belt	3PK895
					AC	5PK915
					PS	11A1155
					Idler Pulley - AC	38001
					Idler Pulley - PS	38003
FAIRLANE	1991-95	NC	4.9L V8 16v OHV EFI	5.0	Serp.	6PK2690
					Tensioner	38249
					Tensioner Pulley	38001
					Idler Pulley - 1	38001
					Idler Pulley - 2	38024
FAIRLANE	1992-93	NB	4.0L 6 Cyl. 12v SOHC EFI	4.0 Intech	Alt. & Fan	3PK895
					AC	5PK915
					PS	11A1155
					Idler Pulley - AC	38001
					Idler Pulley - PS	38003
FAIRLANE	1992-95	NC	4.0L 6 Cyl. 12v SOHC EFI	4.0	Alt.	3PK895
					AC	5PK915
					PS	11A1155

* = NZ Vehicles Only

Model	Year	Variant	Engine	Engine Code	Description	Part Number
FORD CONTINUED						
FAIRLANE	1995-96	NF	4.0L 6 Cyl. 12v SOHC EFI	4.0	Serp. - w/ AC	6PK2355
					Tensioner	38227
					Tensioner Pulley	38015
					Idler Pulley - 1	38009
FAIRLANE	1995-96	NF	4.9L V8 16v OHV EFI	5.0	Serp.	6PK2690
					Tensioner	38249
					Tensioner Pulley	38001
					Idler Pulley - 1	38001
					Idler Pulley - 2	38024
FAIRLANE	1996-99	NL	4.0L 6 Cyl. 12v SOHC EFI	4.0	Serp. - w/ AC	6PK2355
					Tensioner	38227
					Tensioner Pulley	38015
					PS Pulley	38017
					Idler Pulley - 1	38009
FAIRLANE	1996-99	NL	4.9L V8 16v OHV EFI	5.0	Serp.	6PK2690
					Tensioner	38249
					Tensioner Pulley	38001
					Idler Pulley - 1	38001
					Idler Pulley - 2	38024
FAIRLANE	1998-02	AU	4.0L 6 Cyl. 12v SOHC EFI	4.0 Intech	Serp.	6PK2380
					Tensioner	38227
					Tensioner Pulley	38015
					PS Pulley	38017
					Idler Pulley - 1	38009
FAIRLANE	1999-03	AU	4.9L V8 16v OHV EFI	5.0	Serp.	6PK2410
					Tensioner	38161
					Tensioner Pulley	38026
					Idler Pulley - 1	38001
					Idler Pulley - 2	38008
FAIRLANE	2003-05	BA	4.0L 6 Cyl. 24v DOHC EFI	Barra 182	Serp.	6PK2205
					Tensioner Pulley	38015
					WP Pulley	36172
					Idler Pulley - 1	38009
FAIRLANE	2003-05	BA	5.4L V8 24v SOHC EFI	Barra 220	Serp.	6PK2530
					Tensioner	38274
					Tensioner Pulley	38006
					Idler Pulley - 1	38001
FAIRLANE	2005-06	BF	4.0L 6 Cyl. 24v DOHC EFI	Barra 190	Serp.	6PK2205
					Tensioner Pulley	38015
					Idler Pulley - 1	38009
FAIRLANE	2005-08	BF	5.4L V8 24v SOHC EFI	Barra 220	Serp.	6PK2530
					Tensioner	38274
					Tensioner Pulley	38006
					Idler Pulley - 1	38001
FAIRMONT	1972-74	XA	4.9L V8 16v OHV Carb.	302 Cleveland	Fan & PS - w/ AC (To Sept. 1978)	13A1285
					Alt. & Fan - w/o AC	13A1310
					Alt. - w/o AC, w/ PS	11A1015
					Fan - w/o PS & AC	13A1205
					AC	13A1410

Model	Year	Variant	Engine	Engine Code	Description	Part Number
FORD CONTINUED						
FAIRMONT	1973-76	XB	4.9L V8 16v OHV Carb.	302 Cleveland	Alt. - w/o AC, w/ PS	11A1015
					Alt. & Fan - w/o AC & PS	11A1090
					Fan & PS - w/o AC	13A1310
					Fan & PS - w/ AC	13A1285
					Fan - w/o PS	13A1205
					AC	13A1410
FAIRMONT	1976-79	XC	4.1L 6 Cyl. 12v OHV Carb.	250	Fan, Alt. & AC	11A1195
					Alt. & Fan - w/o AC	11A1080
					PS	11A1155
FAIRMONT	1979-82	XD	4.1L 6 Cyl. 12v OHV Carb.	250	Fan, Alt. & AC	11A1195
					Alt. & Fan - w/o AC (1979-82)	11A1080
					PS	11A1155
FAIRMONT	1982-84	XE	4.1L 6 Cyl. 12v OHV Carb.	250	Fan, Alt. & AC	11A1195
					Alt. & Fan - w/o AC (1979-82)	11A1080
					PS	11A1155
FAIRMONT	1984-93	XF	4.1L 6 Cyl. 12v OHV Carb.	250	Alt. & Fan - w/ AC	11A1040
					Alt. & Fan - w/o AC, w/o PS,	11A1030
					PS	11A1170
FAIRMONT	1984-88	XF	4.1L 6 Cyl. 12v OHV EFI	250	Alt. & Fan - w/ AC	11A1055
					Alt. & Fan - w/o AC, w/o PS,	11A1015
					AC - w/ CM3212 Comp.	11A0940
					AC - w/ Sanden Comp.	11A0890
					PS	11A1180
FAIRMONT	1988-91	EA	3.9L 6 Cyl. 12v SOHC EFI	3.9	Alt. & Fan - Micro-V Belt	3PK895
					Alt. & Fan - V-Belt	11A0915
					AC	5PK915
					PS	11A1155
					Idler Pulley - AC	38001
					Idler Pulley - PS	38003
FAIRMONT	1991-92	EB	3.9L 6 Cyl. 12v SOHC EFI	3.9	Alt. & Fan	3PK895
					Alt. - Micro-V Belt	3PK895
					AC	5PK915
					PS	11A1155
					Idler Pulley - AC	38001
					Idler Pulley - PS	38003
FAIRMONT	1991-93	EB	4.0L 6 Cyl. 12v SOHC EFI	4.0	Alt. & Fan	3PK895
					AC	5PK900
					PS	11A1155
					Idler Pulley - AC	38001
					Idler Pulley - PS	38003
FAIRMONT	1991-93	EB	4.9L V8 16v OHV EFI	5.0	Serp.	6PK2690
					Tensioner	38249
					Tensioner Pulley	38001
					Idler Pulley - 1	38001
					Idler Pulley - 2	38024

* = NZ Vehicles Only

Model	Year	Variant	Engine	Engine Code	Description	Part Number
FORD CONTINUED						
FAIRMONT	1993-94	ED	4.0L 6 Cyl. 12v SOHC EFI	4.0	Alt. & Fan	3PK895
					AC	5PK900
					PS	11A1155
					Idler Pulley - AC	38001
					Idler Pulley - PS	38003
FAIRMONT	1993-94	ED	4.9L V8 16v OHV EFI	5.0	Serp.	6PK2690
					Tensioner	38249
					Tensioner Pulley	38001
					Idler Pulley - 1	38001
					Idler Pulley - 2	38024
FAIRMONT	1994-97	EF	4.0L 6 Cyl. 12v SOHC EFI	4.0	Serp. - w/ AC	6PK2355
					Tensioner	38227
					Tensioner Pulley	38015
					PS Pulley	38017
					Idler Pulley - 1	38009
FAIRMONT	1994-97	EF	4.9L V8 16v OHV EFI	5.0	Serp.	6PK2690
					Tensioner	38249
					Tensioner Pulley	38001
					Idler Pulley - 1	38001
					Idler Pulley - 2	38024
FAIRMONT	1996-98	EL	4.0L 6 Cyl. 12v SOHC EFI	4.0	Serp. - w/ AC	6PK2355
					Tensioner	38227
					Tensioner Pulley	38015
					PS Pulley	38017
					Idler Pulley - 1	38009
FAIRMONT	1996-98	EL	4.9L V8 16v OHV EFI	5.0	Serp.	6PK2690
					Tensioner	38249
					Tensioner Pulley	38001
					Idler Pulley - 1	38001
					Idler Pulley - 2	38024
FAIRMONT	1998-03	AU	4.0L 6 Cyl. 12v SOHC EFI	4.0 Intech	Serp.	6PK2380
					Tensioner	38227
					Tensioner Pulley	38015
					PS Pulley	38017
					Idler Pulley - 1	38009
FAIRMONT	1998-03	AU	4.9L V8 16v OHV EFI	5.0	Serp.	6PK2415
					Tensioner	38161
					Tensioner Pulley	38026
					Idler Pulley - 1	38001
					Idler Pulley - 2	38008
FAIRMONT	2002-05	BA	4.0L 6 Cyl. 24v DOHC EFI	Barra 182	Serp.	6PK2205
					Tensioner	38412
					Tensioner Pulley	38015
					WP Pulley	36172
					Idler Pulley - 1	38009
FAIRMONT	2002-05	BA	5.4L V8 32v SOHC EFI	Barra 220	Serp.	6PK2540
					Tensioner	38274
					Tensioner Pulley	38006
					Idler Pulley - 1	38001

Model	Year	Variant	Engine	Engine Code	Description	Part Number
FORD CONTINUED						
FAIRMONT	2003-05	BA	5.4L V8 32v DOHC EFI	Boss 260	Serp.	6PK2540
					Tensioner	38274
					Tensioner Pulley	38006
					Idler Pulley - 1	38001
FAIRMONT	2005-08	BF	4.0L 6 Cyl. 24v DOHC EFI	Barra 190	Serp.	6PK2225
					Tensioner	38412
					Tensioner Pulley	38015
					Idler Pulley - 1	38009
FAIRMONT	2005-07	BF	5.4L V8 32v DOHC EFI	Boss 260	Serp.	6PK2540
					Tensioner	38274
					Tensioner Pulley	38006
					Idler Pulley - 1	38001
FAIRMONT	2005-06	BF	5.4L V8 32v SOHC EFI	Barra 230	Serp.	6PK2540
					Tensioner	38274
					Tensioner Pulley	38006
					Idler Pulley - 1	38001
FAIRMONT	2005-07	BF	5.4L V8 32v SOHC EFI	Barra 220	Serp.	6PK2540
					Tensioner	38274
					Tensioner Pulley	38006
					Idler Pulley - 1	38001
FALCON	1964-65	XM	2.8L 6 Cyl. 12v OHV Carb.	170	Alt.	11A0865
FALCON	1964-65	XM	3.3L 6 Cyl. 12v OHV Carb.	200	Alt.	11A0865
FALCON	1965-66	XP	2.8L 6 Cyl. 12v OHV Carb.	170	Alt.	11A0865
FALCON	1965-67	XP	3.3L 6 Cyl. 12v OHV Carb.	200	Alt.	11A0865
FALCON	1966-68	XR	3.1L 6 Cyl. 12v OHV Carb.	186	Alt. - w/ AC	11A1195
					Alt. - w/o AC	13A0890
					PS	11A1030
FALCON	1966-68	XR	3.3L 6 Cyl. 12v OHV Carb.	200	Alt. - w/ AC	11A1130
					Alt. - w/o AC	11A0865
					PS	11A1195
FALCON	1966-68	XR	4.7L V8 16v OHV Carb.	289	Alt.	11A1030
					AC	13A1205
					PS to # 51277	13A1150
					PS from # 51278	13A1055
FALCON	1968-69	XT	3.1L 6 Cyl. 12v OHV Carb.	186	Alt. - w/ AC	11A1195
					Alt. - w/o AC	13A0890
					PS	11A1030
FALCON	1968-69	XT	3.6L 6 Cyl. 12v OHV Carb.	221	Alt. - w/ AC	11A1195
					Alt. - w/o AC	13A0890
					PS	11A1030
FALCON	1968-69	XT	4.9L V8 16v OHV Carb.	302 Windsor	Fan & PS	11A1180
					Alt. - w/o PS & AC	11A1030
					AC	13A1370
FALCON	1969-70	XW	3.1L 6 Cyl. 12v OHV Carb.	186	Alt. - w/ AC	11A1195
					Alt. - w/o AC	13A0890
					PS	11A1030
FALCON	1969-70	XW	3.6L 6 Cyl. 12v OHV Carb.	221	Alt. - w/ AC	11A1195
					Alt. - w/o AC	13A0890
					PS	11A1030

* = NZ Vehicles Only

Model	Year	Variant	Engine	Engine Code	Description	Part Number
FORD CONTINUED						
FALCON	1969-70	XW	4.9L V8 16v OHV Carb.	302 Windsor	Fan & PS	11A1180
					Alt. - w/o AC, w/ PS	11A1015
					Alt. - w/o PS & AC	11A1030
FALCON	1969-70	XW	4.9L V8 16v OHV Carb.	302 Cleveland	Fan & PS - w/ AC	13A1310
					Fan & PS - w/ AC	13A1285
					Alt. - w/ PS	11A1015
					Alt. - w/o PS	11A1080
					AC	13A1410
FALCON	1969-70	XW	5.8L V8 16v OHV Carb.	351 Cleveland	Alt. - w/o PS	11A1080
					Alt. - w/o AC, w/ PS	11A1015
					Fan & PS - w/ AC	13A1310
					Fan & PS - w/o AC	11A1030
					AC	13A1410
FALCON	1969-70	XW	5.8L V8 16v OHV Carb.	351 Windsor	Alt.	11A1030
					Fan & PS	11A1180
					AC	13A1370
FALCON	1970-72	XY	3.3L 6 Cyl. 12v OHV Carb.	200	Alt. - w/ AC	11A1130
					Alt. - w/o AC	11A1080
					PS	11A1155
FALCON	1970-72	XY	4.1L 6 Cyl. 12v OHV Carb.	250	Fan, Alt. & AC (2 Belts)	11A1195
					Alt. & Fan - w/o AC (1979-82)	11A1080
					PS	11A1155
FALCON	1970-72	XY	4.9L V8 16v OHV Carb.	302 Windsor	Fan & PS - w/ AC	13A1285
					Alt. - w/o AC, w/ PS	11A1015
					Fan & PS - w/o AC	13A1310
FALCON	1970-72	XY	4.9L V8 16v OHV Carb.	302 Cleveland	Alt. - w/ AC	11A1015
					Alt. - w/o PS & AC	11A1080
					Fan & PS - w/ AC	13A1310
					Fan & PS - w/ AC	13A1285
					AC	13A1410
FALCON	1970-72	XY	5.8L V8 16v OHV Carb.	351 Cleveland	Alt. - w PS	11A1015
					Alt. - w/o PS	11A1080
					Alt. - w/o AC, w/ PS	11A1015
					Fan & PS - w/ AC	13A1310
					Fan & PS - w/o AC	11A1030
					AC	13A1410
FALCON	1972-73	XA	3.3L 6 Cyl. 12v OHV Carb.	200	Fan, Alt. & AC	11A1195
					Alt. & Fan - w/o AC	11A1080
					PS	11A1155
FALCON	1972-74	XA	4.1L 6 Cyl. 12v OHV Carb.	250	Fan, Alt. & AC	11A1195
					Alt. & Fan - w/o AC	11A1080
					PS	11A1155
FALCON	1972-74	XA	4.9L V8 16v OHV Carb.	302 Cleveland	Alt. - w/o AC, w/ PS	11A1015
					Alt. & Fan - w/o AC	13A1310
					Fan - w/o PS & AC	13A1205
					Fan & PS - w/ AC (To Sept. 1978)	13A1285
					AC	13A1410

Model	Year	Variant	Engine	Engine Code	Description	Part Number
FORD CONTINUED						
FALCON	1972-74	XA	5.8L V8 16v OHV Carb.	351 Cleveland	Alt. & Fan - w/ Std. Cool.	11A1090
					Alt. - w/ AC	11A1015
					Alt. - w/o AC, w/ PS	11A1015
					Fan & PS - w/ AC	13A1285
					Fan & PS - w/o AC	13A1310
					Fan - w/o PS	13A1205
					AC	13A1410
FALCON	1973-76	XB	3.3L 6 Cyl. 12v OHV Carb.	200	Fan, Alt. & AC	11A1195
					Alt. & Fan - w/o AC	11A1080
					PS	11A1155
FALCON	1973-76	XB	4.1L 6 Cyl. 12v OHV Carb.	250	Fan, Alt. & AC	11A1195
					Alt. & Fan - w/o AC	11A1080
					PS	11A1155
FALCON	1973-76	XB	4.9L V8 16v OHV Carb.	302 Cleveland	Alt. - w/o AC, w/ PS	11A1015
					Alt. & Fan - w/o AC & PS	11A1090
					Fan & PS - w/ AC	13A1285
					Fan & PS - w/o AC	13A1310
					Fan - w/o PS	13A1205
					AC	13A1410
FALCON	1973-76	XB	5.8L V8 16v OHV Carb.	351 Cleveland	Alt. & Fan - w/ Std. Cool.	11A1090
					Alt. - w/ AC	11A1015
					Alt. - w/o AC, w/ PS	11A1015
					Fan & PS - w/ AC	13A1285
					Fan & PS - w/o AC	13A1310
					Fan - w/o PS	13A1205
					AC	13A1410
FALCON	1976-79	XC	3.3L 6 Cyl. 12v OHV Carb.	200	Fan, Alt. & AC	11A1195
					Alt. & Fan - w/o AC	11A1080
					PS	11A1155
FALCON	1976-79	XC	4.1L 6 Cyl. 12v OHV Carb.	250	Fan, Alt. & AC	11A1195
					Alt. & Fan - w/o AC	11A1080
					PS	11A1155
FALCON	1976-79	XC	4.9L V8 16v OHV Carb.	302 Cleveland	Alt. - w/ AC	11A1015
					Alt. - w/o AC, w/ PS	11A1015
					Alt. & Fan - w/o AC, w/o PS	11A1105
					Fan & PS - w/ AC	13A1285
					Fan & PS - w/o AC (To Sept. 1978)	13A1310
					Fan & PS - From Sept. 1978	13A1345
					Fan - w/o PS	13A1205
					AC	13A1410

* = NZ Vehicles Only

Model	Year	Variant	Engine	Engine Code	Description	Part Number
FORD CONTINUED						
FALCON	1976-79	XC	5.8L V8 16v OHV Carb.	351 Cleveland	Alt. - w/ AC	11A1015
					Alt. - w/o AC, w/ PS	11A1015
					Alt. & Fan - w/o AC, w/o PS	11A1105
					Fan & PS - w/ AC (To Sept. 1978)	13A1285
					Fan & PS - w/o AC (To Sept. 1978)	13A1310
					Fan & PS - From Sept. 1978	13A1345
					Fan - w/o PS	13A1205
					AC	13A1410
FALCON	1979-82	XD	3.3L 6 Cyl. 12v OHV Carb.	200	Fan, Alt. & AC	11A1195
					Alt. & Fan - w/o AC (1979-82)	11A1080
					PS	11A1155
FALCON	1979-82	XD	4.1L 6 Cyl. 12v OHV Carb.	250	Fan, Alt. & AC	11A1195
					Alt. & Fan - w/o AC (1979-82)	11A1080
					PS	11A1155
FALCON	1979-83	XD	4.9L V8 16v OHV Carb.	302 Cleveland	Fan & PS - w/ AC	13A1320
					Fan & PS - w/o AC	13A1345
					Fan - w/o PS	13A1205
					AC - (To Sept. 1980)	13A1410
					AC - (From Sept. 1980)	13A1395
FALCON	1979-82	XD	5.8L V8 16v OHV Carb.	351 Cleveland	Alt. - w/ AC (1979-82)	11A1015
					Alt. - w/o AC, w/ PS (1979-82)	11A1015
					Alt. & Fan - w/o AC, w/o PS	11A1105
					Fan & PS - w/o AC	13A1345
					Fan - w/o PS	13A1205
					AC - (To Sept. 1980)	13A1410
					AC - (From Sept. 1980)	13A1395
FALCON	1982-85	XE	3.3L 6 Cyl. 12v OHV Carb.	200	Fan, Alt. & AC	11A1195
					Alt. & Fan - w/o AC (1979-82)	11A1080
					PS	11A1155
FALCON	1982-84	XE	4.1L 6 Cyl. 12v OHV Carb.	250	Fan, Alt. & AC	11A1195
					Alt. & Fan - w/o AC (1979-82)	11A1080
					PS	11A1155
FALCON	1982-84	XE	4.1L 6 Cyl. 12v OHV EFI	250	Alt. - w/ Sanden Comp.	11A1055
					Alt. & Fan - w/o AC (1979-82)	11A1015
					AC - w/ Sanden Comp.	11A0890
					PS	11A1155

Model	Year	Variant	Engine	Engine Code	Description	Part Number
FORD CONTINUED						
FALCON	1982-84	XE	4.9L V8 16v OHV Carb.	302 Cleveland	Alt. - w/o AC, w/o PS - w/ H.D. Cool	11A1040
					AC	13A1395
					Fan & PS - w/ AC	13A1310
					Fan & PS - w/o AC	13A1345
					Fan - w/o PS	13A1205
FALCON	1982	XE	5.8L V8 16v OHV Carb.	351 Cleveland	Alt. - w/o AC, w/o PS - w/ H.D. Cool	11A1040
					Fan & PS - w/ AC	13A1310
					Fan & PS - w/o AC	13A1345
					Fan - w/o PS	13A1205
					AC	13A1395
FALCON	1984-90	XF	3.3L 6 Cyl. 12v OHV Carb.	200	Alt. & Fan - w/ AC	11A1055
					Alt. & Fan - w/o AC, w/o PS,	11A1015
					AC - w/ CM3212 Comp.	11A0940
					AC - w/ Sanden Comp.	11A0890
					PS	11A1155
FALCON	1984-93	XF	4.1L 6 Cyl. 12v OHV Carb.	250	Alt. & Fan - w/ AC	11A1040
					Alt. & Fan - w/o AC, w/o PS	11A1030
					PS	11A1170
FALCON	1984-88	XF	4.1L 6 Cyl. 12v OHV EFI	250	Alt. & Fan - w/ AC	11A1055
					Alt. & Fan - w/o AC, w/o PS	11A1015
					AC - w/ CM3212 Comp.	11A0940
					AC - w/ Sanden Comp.	11A0890
					PS	11A1180
FALCON	1988-89	EA	3.2L 6 Cyl. 12v SOHC EFI	3.2	Alt. & Fan - Micro-V Belt	3PK895
					Alt. & Fan - V-Belt	11A0915
					AC	5PK915
					PS	11A1155
					Idler Pulley - AC	38001
					Idler Pulley - PS	38003
FALCON	1988-91	EA	3.9L 6 Cyl. 12v SOHC EFI	3.9	Alt. & Fan - Micro-V Belt	3PK895
					Alt. & Fan - V-Belt	11A0915
					AC	5PK915
					PS	11A1155
					Idler Pulley - AC	38001
					Idler Pulley - PS	38003
FALCON	1991-92	EB	3.9L 6 Cyl. 12v SOHC EFI	3.9	Alt. & Fan	3PK895
					Alt. - Micro-V Belt	3PK895
					AC	5PK915
					PS	11A1155
					Idler Pulley - AC	38001
					Idler Pulley - PS	38003

* = NZ Vehicles Only

Model	Year	Variant	Engine	Engine Code	Description	Part Number
FORD CONTINUED						
FALCON	1991-93	EB	4.0L 6 Cyl. 12v SOHC EFI	4.0	Alt. & Fan	3PK895
					AC	5PK900
					PS	11A1155
					Idler Pulley - AC	38001
					Idler Pulley - PS	38003
FALCON	1991-93	EB	4.9L V8 16v OHV EFI	5.0	Serp.	6PK2690
					Tensioner	38249
					Tensioner Pulley	38001
					Idler Pulley - 1	38001
					Idler Pulley - 2	38024
FALCON	1991-93	EB	4.9L V8 16v OHV EFI	5.0	Serp.	6PK2690
					Tensioner	38249
					Tensioner Pulley	38001
					Idler Pulley - 1	38001
					Idler Pulley - 2	38024
FALCON	1993-94	ED	4.0L 6 Cyl. 12v SOHC EFI	4.0	Alt. & Fan	3PK895
					AC	5PK900
					PS	11A1155
					Idler Pulley - AC	38001
					Idler Pulley - PS	38003
FALCON	1993-94	ED	4.9L V8 16v OHV EFI	5.0	Serp.	6PK2690
					Tensioner	38249
					Tensioner Pulley	38001
					Idler Pulley - 1	38001
					Idler Pulley - 2	38024
FALCON	1993-95	ED XR6	4.0L 6 Cyl. 12v SOHC EFI	4.0	Alt. & Fan	3PK895
					AC	5PK900
					PS	11A1155
					Idler Pulley - AC	38001
					Idler Pulley - PS	38003
FALCON	1993-94	ED	4.9L V8 16v OHV EFI	5.0	Serp.	6PK2690
					Tensioner	38249
					Tensioner Pulley	38001
					Idler Pulley - 1	38001
					Idler Pulley - 2	38024
FALCON	1993-96	XG	4.0L 6 Cyl. 12v SOHC EFI	4.0	Alt. & Fan	3PK895
					AC	5PK915
					PS - 1155mm Belt	11A1155
					PS - 1180mm Belt	11A1180
					FALCON	1993-96
					AC	5PK915
					PS - 1155mm Belt	11A1155
					PS - 1180mm Belt	11A1180
FALCON	1994-97	EF	4.0L 6 Cyl. 12v SOHC EFI	4.0	Serp. - w/ AC	6PK2355
					Tensioner	38227
					Tensioner Pulley	38015
					PS Pulley	38017
					Idler Pulley - 1	38009

* = NZ Vehicles Only

Model	Year	Variant	Engine	Engine Code	Description	Part Number
FORD CONTINUED						
FALCON	1994-97	EF	4.9L V8 16v OHV EFI	5.0	Serp.	6PK2690
					Tensioner	38249
					Tensioner Pulley	38001
					Idler Pulley - 1	38001
					Idler Pulley - 2	38024
FALCON	1994-97	EF	4.0L 6 Cyl. 12v SOHC EFI	4.0	Serp. - w/ AC	6PK2355
					Tensioner	38227
					Tensioner Pulley	38015
					PS Pulley	38017
					Idler Pulley - 1	38009
FALCON	1994-97	EF	4.9L V8 16v OHV EFI	5.0	Serp.	6PK2690
					Tensioner	38249
					Tensioner Pulley	38001
					Idler Pulley - 1	38001
					Idler Pulley - 2	38024
FALCON	1996-98	EL	4.0L 6 Cyl. 12v SOHC EFI	4.0	Serp. - w/ AC	6PK2355
					Tensioner	38227
					Tensioner Pulley	38015
					PS Pulley	38017
					Idler Pulley - 1	38009
FALCON	1996-98	EL	4.9L V8 16v OHV EFI	5.0	Serp.	6PK2690
					Tensioner	38249
					Tensioner Pulley	38001
					Idler Pulley - 1	38001
					Idler Pulley - 2	38024
FALCON	1996-98	EL XR6	4.0L 6 Cyl. 12v SOHC EFI	4.0	Serp. - w/ AC	6PK2355
					Tensioner	38227
					Tensioner Pulley	38015
					PS Pulley	38017
					Idler Pulley - 1	38009
FALCON	1996-98	EL XR8	4.9L V8 16v OHV EFI	5.0	Serp.	6PK2690
					Tensioner	38249
					Tensioner Pulley	38001
					Idler Pulley - 1	38001
					Idler Pulley - 2	38024
FALCON	1996-99	XH	4.0L 6 Cyl. 12v SOHC EFI	4.0	Serp.	6PK2400
FALCON	1996-99	XH	4.0L 6 Cyl. 12v SOHC EFI	4.0	Serp.	6PK2345
FALCON	1997-99	XH	4.9L V8 16v OHV EFI	5.0	Serp.	6PK2690
					Tensioner	38249
					Tensioner Pulley	38001
					Idler Pulley - 1	38001
					Idler Pulley - 2	38024
FALCON	1997-99	XH	4.9L V8 16v OHV EFI	302 Cleveland	Serp.	6PK2690
FALCON	1997-99	XH	4.9L V8 16v OHV EFI	5.0	Serp.	6PK2690
					Tensioner	38249
					Tensioner Pulley	38001
					Idler Pulley - 1	38001
					Idler Pulley - 2	38024

* = NZ Vehicles Only

Model	Year	Variant	Engine	Engine Code	Description	Part Number
FORD CONTINUED						
FALCON	1998-03	AU	4.0L 6 Cyl. 12v SOHC EFI	4.0 Intech	Serp.	6PK2380
					Tensioner	38227
					Tensioner Pulley	38015
					PS Pulley	38017
					Idler Pulley - 1	38009
FALCON	1998-03	AU	4.0L 6 Cyl. 24v DOHC EFI LPG	E-GAS	Serp.	6PK2380
					Tensioner	38227
					Tensioner Pulley	38015
					PS Pulley	38017
					Idler Pulley - 1	38009
					Idler Pulley - 2	38015
FALCON	1998-03	AU	4.9L V8 16v OHV EFI	5.0	Serp.	6PK2415
					Tensioner	38161
					Tensioner Pulley	38026
					Idler Pulley - 1	38001
					Idler Pulley - 2	38008
FALCON	1998-03	AU - XR6	4.0L 6 Cyl. 12v SOHC EFI	4.0 Intech	Serp.	6PK2515
					Tensioner	38227
					Tensioner Pulley	38015
					PS Pulley	38017
					Idler Pulley - 1	38009
					Idler Pulley - 2	38015
FALCON	1998-03	AU - XR6	4.0L 6 Cyl. 24v DOHC EFI LPG	E-GAS	Serp.	6PK2515
					Tensioner	38227
					Tensioner Pulley	38015
					PS Pulley	38017
					Idler Pulley - 1	38009
FALCON	1998-03	AU	4.9L V8 16v OHV EFI	5.0	Serp.	6PK2410
					Tensioner	38161
					Tensioner Pulley	38026
					Idler Pulley - 1	38001
					Idler Pulley - 2	38008
FALCON	2001-02	AU TE50/TL50	5.6L V8 16v OHV EFI	5.6	Serp.	6PK2410
					Tensioner Pulley	38026
FALCON	2002	AU XR-8 PURSUIT	5.6L V8 16v OHV EFI	5.6	Serp.	6PK2410
					Tensioner Pulley	38026
FALCON	2002-05	BA	4.0L 6 Cyl. 24v DOHC EFI	Barra 182	Serp.	6PK2205
					Tensioner	38412
					Tensioner Pulley	38015
					WP Pulley	36172
					Idler Pulley - 1	38009
FALCON	2002-05	BA	4.0L 6 Cyl. 24v DOHC EFI LPG	E-GAS	Serp.	6PK2205
					Tensioner	38412
					Tensioner Pulley	38015
					WP Pulley	36172
					Idler Pulley - 1	38009
FALCON	2002-05	BA	4.0L 6 Cyl. 24v DOHC Turbo EFI	Barra 240T	Serp.	6PK2225
					Tensioner	38412
					Tensioner Pulley	38015
					Idler Pulley - 1	38009

Model	Year	Variant	Engine	Engine Code	Description	Part Number
FORD CONTINUED						
FALCON	2002-05	BA	5.4L V8 32v SOHC EFI	Barra 220	Serp.	6PK2540
					Tensioner	38274
					Tensioner Pulley	38006
					Idler Pulley - 1	38001
FALCON	2002-05	BA - XR6	4.0L 6 Cyl. 24v DOHC EFI	Barra 182	Serp.	6PK2205
					Tensioner	38412
					Tensioner Pulley	38015
					Idler Pulley - 1	38009
FALCON	2002-05	BA	4.0L 6 Cyl. 24v DOHC EFI LPG	E-GAS	Serp.	6PK2205
					Tensioner	38412
					Tensioner Pulley	38015
					Idler Pulley - 1	38009
FALCON	2002-05	BA XR8	5.4L V8 32v SOHC EFI	Boss 260	Serp.	6PK2540
FALCON	2003-05	BA	5.4L V8 32v DOHC EFI	Barra 220	Serp.	6PK2540
					Tensioner	38274
					Tensioner Pulley	38006
					Idler Pulley - 1	38001
FALCON	2005-08	BF	4.0L 6 Cyl. 24v DOHC EFI	Barra 190	Serp.	6PK2225
					Tensioner	38412
					Tensioner Pulley	38015
					Idler Pulley - 1	38009
FALCON	2005-07	BF	4.0L 6 Cyl. 24v DOHC Turbo EFI	Barra 245T	Serp.	6PK2225
					Tensioner	38412
					Tensioner Pulley	38015
					Idler Pulley - 1	38009
FALCON	2005-07	BF - XR8	5.4L V8 32v DOHC EFI	Boss 260	Serp.	6PK2540
					Tensioner	38274
					Tensioner Pulley	38006
					Idler Pulley - 1	38001
FALCON	2005-06	BF	5.4L V8 32v SOHC EFI	Barra 230	Serp.	6PK2540
					Tensioner	38274
					Tensioner Pulley	38006
					Idler Pulley - 1	38001
FALCON	2005-07	BF	5.4L V8 32v SOHC EFI	Barra 220	Serp.	6PK2540
					Tensioner	38274
					Tensioner Pulley	38006
					Idler Pulley - 1	38001
FALCON	2005-08	BF - XR6	4.0L 6 Cyl. 24v DOHC EFI	Barra 190	Serp.	6PK2225
					Tensioner	38412
					Tensioner Pulley	38015
					Idler Pulley - 1	38009
FALCON	2005-07	BF	5.4L V8 32v SOHC EFI	Barra 220	Serp.	6PK2540
					Tensioner	38274
					Tensioner Pulley	38006
					Idler Pulley - 1	38001
FALCON	2006-07	BF	4.0L 6 Cyl. 24v DOHC EFI LPG	E-GAS	Serp.	6PK2225
					Tensioner	38412
					Tensioner Pulley	38015
					Idler Pulley - 1	38009

* = NZ Vehicles Only

Model	Year	Variant	Engine	Engine Code	Description	Part Number
FORD CONTINUED						
FALCON	2006-07	BF	4.0L 6 Cyl. 24v DOHC EFI LPG	E-GAS	Serp.	6PK2225
					Tensioner	38412
					Tensioner Pulley	38015
					Idler Pulley - 1	38009
FALCON	2008-09	FG	4.0L 6 Cyl. 24v DOHC MPFI	Barra 195	Serp.	6PK2225
					Tensioner	38412
					Tensioner Pulley	38015
					Idler Pulley - 1	38009
FALCON	2008-09	FG	5.4L V8 32v DOHC EFI	Boss 290	Serp.	6PK2565
					Tensioner	38274
					Tensioner Pulley	38006
					Idler Pulley - 1	38001
FALCON	2008-09	FG	4.0L 6 Cyl. 24v DOHC MPFI	Barra 195	Serp.	6PK2225
					Tensioner	38412
					Tensioner Pulley	38015
					Idler Pulley - 1	38009
FALCON	2008-09	FG XR6T	4.0L 6 Cyl. 24v DOHC Turbo MPFI	Barra 270T	Serp.	6PK2225
					Tensioner	38274
					Tensioner Pulley	38006
					Idler Pulley - 1	38001
FALCON	2008-09	FG XR8	5.4L V8 32v DOHC MPFI	Barra 290	Serp.	6PK2565
					Tensioner	38274
					Tensioner Pulley	38006
					Idler Pulley - 1	38001
FESTIVA	1991-94	WA	1.3L 4 Cyl. 8v SOHC Carb.	B3	Alt. & WP	11A0890
					AC - w/ PS	4PK940
					AC - w/o PS 10.5/11mm Belt T.W.	11A0875
					AC - w/o PS 12.5/13mm Belt T.W.	13A0915
					PS	4PK800
FESTIVA	1994-96	WB	1.3L 4 Cyl. 8v SOHC EFI	B3	Alt. & WP	4PK875
					AC & PS	4PK970
					PS	4PK850
FESTIVA	1997	WB, WD	1.3L 4 Cyl. 8v SOHC EFI	B3	AC - w/o PS	4PK875
					AC & PS	4PK975
					PS - w/o AC	4PK850
FESTIVA	1997-98	WB, WD	1.5L 4 Cyl. 16v SOHC EFI	B5	Alt., WP	4PK875
					AC - w/o PS	4PK875
					AC & PS	4PK975
					PS - w/o AC	4PK850
FESTIVA	1997-99	WF	1.3L 4 Cyl. 8v SOHC EFI	B3	Alt. & WP	4PK875
					AC & PS	4PK975
					PS - w/o AC	4PK850
FESTIVA	1997-01	WF	1.5L 4 Cyl. 8v SOHC EFI	B5	AC & PS	4PK955
					AC - w/o PS	4PK875
					PS - w/ AC	4PK960
					PS - w/o AC	4PK850

Model	Year	Variant	Engine	Engine Code	Description	Part Number
FORD CONTINUED						
FIESTA	2003	WP, WQ	1.6L 4 Cyl. 16v DOHC EFI	FYJ	Alt. w/ AC	6PK1019SF
					PS	5PK692SF
					SF Inst. Tool (Alt.)	SF002
					SF Inst. Tool (AC)	SF003
FOCUS	2002-05	LR	1.8L 4 Cyl. 16v DOHC EFI	EYD	Serp. - w/ AC	6PK2100
					Serp. - w/o AC	6PK1980
					Tensioner	38188
					Tensioner Pulley	36101
					Idler Pulley	38018
FOCUS	2002-05	LR	2.0L 4 Cyl. 16v DOHC EFI	EDD	Serp. - w/ AC	6PK2100
					Serp. - w/o AC	6PK1980
					Tensioner	38188
					Tensioner Pulley	36101
					Idler Pulley	38018
FOCUS	2002-05	LR	2.0L 4 Cyl. 16v DOHC EFI	ALD	Serp. - w/ AC	6PK2100
					Serp. - w/o AC	6PK1980
					Tensioner	38188
					Tensioner Pulley	36101
					Idler Pulley	38018
FOCUS	2002-05	LR	2.0L 4 Cyl. 16v DOHC EFI	Zetec	Serp. - w/ AC	6PK2100
					Serp. - w/o AC	6PK1980
					Tensioner	38188
					Idler Pulley	38018
FOCUS	2004-05	LR	1.6L 4 Cyl. 16v DOHC EFI	FYJ	Alt. w/ AC	6PK1019SF
					PS	5PK692SF
					SF Inst. Tool (Alt.)	SF002
					SF Inst. Tool (AC)	SF003
FOCUS	2005-07	LS	2.0L 4 Cyl. 16v DOHC EFI	CJB	Serp.	6PK1300
					Tensioner Pulley	36101
					Idler Pulley	36101
FOCUS	2005-08	LT	2.0L 4 Cyl. 16v DOHC EFI	CJB	Tensioner Pulley	36101
					Idler Pulley	36101
FOCUS	2007-08	LT	2.0L 4 Cyl. 16v DOHC EFI	C20HDEA/ ZH20AODA/ ZH20AODB	Alt.	6PK1305
					AC	5PK705SF
					SF Inst. Tool	SFT001
KA	1999-03	TA	1.3L 4 Cyl. 8v OHV EFI	BL13EFI	Serp. - w/ AC & PS	6PK1940
					Serp. - w/ PS - w/o AC	6PK1445
					Idler	36175
KA	1999-03	TA	1.3L 4 Cyl. 8v OHV EFI	BL13EFI	Serp. - w/ AC & PS	6PK1940
					Serp. - w/ PS - w/o AC	6PK1445
					Idler	36175
LANDAU	1974-76	XB	5.8L V8 16v OHV Carb.	351 Cleveland	Alt. & Fan (GT High Output) - w/o AC, w/o PS	11A1105
					Alt. & PS - w/ AC	13A1285
					Alt. - w/o AC & PS	11A1015
					Alt. - w/o AC & PS	11A1090
					Alt. & PS - w/o AC	13A1310
					Fan - w/o PS	13A1205
					AC	13A1410
LASER	1981-83	KA	1.3L 4 Cyl. 8v SOHC Carb.	E3	Alt. & WP	13A0965
					AC	13A1130
					PS - w/ AC	4PK1195
					PS - w/o AC	4PK1040
LASER	1981-83	KA	1.5L 4 Cyl. 8v SOHC Carb.	E5	Alt. & WP	11A0990
					AC	11A1130
					PS - w/ AC	4PK1195
					PS - w/o AC	4PK1040

* = NZ Vehicles Only

Model	Year	Variant	Engine	Engine Code	Description	Part Number
FORD CONTINUED						
LASER	1983-85	KB	1.3L 4 Cyl. 8v SOHC Carb.	E3	Alt. & WP	11A0990
					AC	13A1130
					PS - w/ AC	4PK1195
					PS - w/o AC	4PK1040
LASER	1983-85	KB	1.5L 4 Cyl. 8v SOHC Carb.	E5	Alt. & WP	11A0990
					AC	11A1130
					PS - w/ AC	4PK1195
					PS - w/o AC	4PK1040
LASER	1983-85	KB	1.5L 4 Cyl. 8v SOHC Twin Carb.	E5	Alt. & WP	11A0990
					AC	11A1130
					PS - w/ AC	4PK1195
					PS - w/o AC	4PK1040
LASER	1985-87	KC	1.3L 4 Cyl. 8v SOHC Carb.	E3	Alt. & WP	11A0990
					AC	13A1130
					AC - w/o PS	13A0930
					PS - w/ AC	4PK1195
					PS - w/o AC	4PK1040
LASER	1985-87	KC	1.6L 4 Cyl. 8v SOHC Carb.	B6	Alt. & WP	11A0900
					AC & PS	4PK980
					AC - w/o PS	13A0930
					PS - w/o AC	4PK875
LASER	1986-90	KC	1.6L 4 Cyl. 16v SOHC Carb.	B6	Alt. & WP	11A0900
					AC & PS	4PK975
					PS - w/o AC	4PK875
LASER	1986-94	KE	1.6L 4 Cyl. 8v SOHC Carb.	B6	Alt. & WP	11A0900
					AC & PS	4PK1005
					AC (Air Int. Sys.)	13A0925
					AC - w/o PS	4PK890
					PS - w/o AC	4PK875
LASER	1986-94	KE	1.6L 4 Cyl. 8v SOHC Carb.	B6	Alt. & WP	13A0900
					AC - w/ PS	4PK990
					AC - w/o PS	4PK890
					PS	4PK890
LASER	1987-89	KE	1.3L 4 Cyl. 8v SOHC Carb.	E3	Alt. & WP	11A0990
					AC & PS	4PK1005
					AC (Air Int. Sys.)	13A0925
					AC - w/o PS	4PK890
LASER	1987-90	KE	1.6L 4 Cyl. 16v DOHC Turbo EFI	B6T	Alt. & WP	4PK980
LASER	1987-90		1.5L 4 Cyl. 8v SOHC Carb.	E5	Alt. & WP	11A0990
					AC & PS	4PK1005
					AC - w/o PS	4PK890
					PS - w/o AC	4PK890
LASER	1990-94	KE	1.6L 4 Cyl. 16v SOHC Carb.	B6	Alt. & WP	13A0900
					AC & PS	4PK990
					AC - w/o PS	4PK890
					PS - w/o AC	4PK875
LASER	1990-91	KF	1.6L 4 Cyl. 16v SOHC Carb.	B6	Alt. & WP	13A0900
					AC & PS	4PK990
					AC - w/o PS	4PK890
					PS - w/o AC	4PK875

Model	Year	Variant	Engine	Engine Code	Description	Part Number
FORD CONTINUED						
LASER	1990-94	KF	1.8L 4 Cyl. 16v DOHC EFI	BP	Alt. & WP	13A0900
					AC & PS - 2WD	4PK1005
					PS - w/o AC	4PK890
LASER	1990-91	KF	1.8L 4 Cyl. 16v DOHC Turbo EFI	BPT	Alt. & WP	13A0900
					AC & PS	4PK1015
					PS - w/o AC	4PK890
LASER	1990-92	KF	1.8L 4 Cyl. 16v SOHC EFI	BP	Alt. & WP	13A0900
					AC & PS - 2WD	4PK1005
					PS - w/o AC	4PK890
LASER	1990-94	KF	1.8L 4 Cyl. 16v DOHC EFI	BP	Alt. & WP	13A0900
					AC & PS - 2WD	4PK1005
					PS - w/o AC	4PK890
LASER	1990-94	KH	1.8L 4 Cyl. 16v SOHC EFI	BP	Alt. & WP	13A0900
					AC & PS - 2WD	4PK1005
					AC - w/o PS - 2WD	4PK890
LASER	1991-94	KH	1.6L 4 Cyl. 16v SOHC Carb.	B6	Alt. & WP	13A0900
					AC & PS	4PK990
					AC - w/o PS	4PK890
					PS - w/o AC	4PK875
LASER	1991-93	KH	1.8L 4 Cyl. 16v DOHC Turbo EFI	BPT	Alt. & WP	13A0900
					AC & PS	4PK1005
					PS - w/o AC	4PK875
LASER	1994-96	KJ	1.6L 4 Cyl. 16v DOHC EFI	B6	Alt.	4PK890
					AC & PS	4PK1005
					PS - w/o AC	4PK890
LASER	1994-00	KJ	1.8L 4 Cyl. 16v DOHC EFI	BP	Alt. & WP	4PK890
					AC & PS	4PK1005
					PS - w/o AC	4PK890
LASER	1994-00	KJ	1.8L 4 Cyl. 16v DOHC EFI	BP	Alt. & WP	4PK890
					AC & PS	4PK1005
					PS - w/o AC	4PK890
LASER	1994-99	KL	1.6L 4 Cyl. 16v DOHC EFI	B6	Alt. & WP	4PK890
					PS - w/ AC	4PK1005
					PS - w/o AC	4PK890
LASER	1994-99	KN	1.8L 4 Cyl. 16v DOHC EFI	BP	Alt. & WP	4PK890
					AC & PS	4PK1005
					PS - w/o AC	4PK890
LASER	1994-99	KN	1.8L 4 Cyl. 16v DOHC EFI	BP	Alt. & WP	4PK890
					AC & PS	4PK1005
					PS - w/o AC	4PK890
LASER	1999-02	KN	1.6L 4 Cyl. 16v DOHC EFI	ZM	Alt. & WP	4PK885
					AC & PS	4PK1005
LASER	1999-00	KN	1.8L 4 Cyl. 16v DOHC EFI	BP	Alt., WP	5PK1165
					AC & PS	4PK925
LASER	1999-01	KN	1.8L 4 Cyl. 16v DOHC EFI	FP	Alt., WP	5PK1165
					AC & PS	4PK925
LASER	1999-02	KN	1.6L 4 Cyl. 16v DOHC EFI	ZM	Alt. & WP	4PK885
					AC & PS	4PK1005
LASER	1999-02	KQ	1.8L 4 Cyl. 16v DOHC EFI	BP	Alt., WP	5PK1165
					AC & PS	4PK925

* = NZ Vehicles Only

Model	Year	Variant	Engine	Engine Code	Description	Part Number
FORD CONTINUED						
LASER	2001-02	KQ	1.8L 4 Cyl. 16v DOHC EFI	FP	Alt., WP	5PK1165
					AC & PS	4PK925
LASER	2001-02	KQ	2.0L 4 Cyl. 16v DOHC EFI	FS	Alt.	4PK920
					AC & PS	5PK1165
LTD	1973-79		5.8L V8 16v OHV Carb.	351 Cleveland	Alt.,	11A1015
					Fan & PS - w/ AC	13A1285
					Fan & PS - w/o AC	13A1345
LTD	1979-82	FC	4.1L 6 Cyl. 12v OHV Carb.	250	Alt. - w/ AC	11A1195
					Alt. - w/ Sanden Comp.	11A1040
					Alt. - York Comp.	11A1180
					AC - w/ Sanden Comp.	11A0980
					PS	11A1155
LTD	1979-82	FC	4.9L V8 V8 16v OHV Carb.	302 Cleveland	Alt. - w/ AC & PS	11A1015
					Alt. - w/o PS & AC	11A1090
					Fan	13A1205
					Fan & PS - w/ AC	13A1310
					Fan & PS - w/o AC	13A1345
					AC	13A1395
					Tensioner	38249
LTD	1979-82	FC	5.8L V8 16v OHV Carb.	351 Cleveland	Alt.,	11A1015
					Alt. & Fan - w/o PS & AC	11A1090
					Fan	13A1205
					Fan & PS - w/ AC	13A1310
					Fan & PS - w/o AC	13A1345
LTD	1982-84	FD	4.1L 6 Cyl. 12v OHV Carb.	4.1	Alt. - w/ Sanden Comp.	11A1040
					Alt. - York Comp.	11A1180
					AC - w/ Sanden Comp.	11A0980
					PS	11A1155
LTD	1982-84	FD	4.1L 6 Cyl. 12v OHV EFI	4.1	Alt. - w/ Sanden Comp.	11A1055
					AC - w/ Sanden Comp.	11A0980
					PS	11A1155
LTD	1982-84	FD	4.9L V8 V8 16v OHV Carb.	302 Cleveland	Alt. - w/ AC & PS	11A1015
					Alt. - w/ AC - w/o PS	11A1040
					Fan	13A1205
					Fan & PS - w/ AC	13A1310
					Fan & PS - w/o AC	13A1345
					AC	13A1395
LTD	1982-84	FD	5.8L V8 16v OHV Carb.	351 Cleveland	Alt. - w/ AC - w/o PS	11A1040
					Fan	13A1205
					Fan & PS - w/ AC	13A1310
					Fan & PS - w/o AC	13A1345

Model	Year	Variant	Engine	Engine Code	Description	Part Number
FORD CONTINUED						
LTD	1984-88	FE	4.1L 6 Cyl. 12v OHV EFI	4.1	Alt. - w/ Sanden Comp.	11A1040
					Alt.	11A1055
					AC - w/ Sanden Comp.	11A0980
					PS	11A1155
LTD	1988-89	DA	3.9L 6 Cyl. 12v SOHC EFI	3.9	Alt.	11A0915
					AC	5PK915
					PS	11A1155
LTD	1991-93	DB	3.9L 6 Cyl. 12v SOHC EFI	3.9	Alt.	3PK895
					AC	5PK915
					PS	11A1155
LTD	1991-93	DB	5.0L V8 16v OHV EFI	5.0	Serp.	6PK2690
LTD	1992-93	DB	4.0L 6 Cyl. 12v SOHC EFI	4.0	Alt. & WP	3PK895
					AC	5PK915
					PS	11A1155
LTD	1993-95	DC	4.0L 6 Cyl. 12v SOHC EFI	4.0	Alt. & WP	3PK895
					AC	5PK915
					PS	11A1155
LTD	1993-95	DC	5.0L V8 16v OHV EFI	5.0	Serp.	6PK2690
LTD	1995-96	DF	5.0L V8 16v OHV EFI	5.0	Serp.	6PK2690
LTD	1996-99	DL	5.0L V8 16v OHV EFI	5.0	Serp.	6PK2690
LTD	1999-07	AU	4.0L 6 Cyl. 12v SOHC EFI	4.0 Intech	Serp.	6PK2515
					PS Pulley	38017
LTD	1999-03	AU	5.0L V8 16v OHV EFI	5.0	Serp.	6PK2415
LTD	2003-05	BA	5.4L V8 24v SOHC EFI	Barra 220	Serp.	6PK2540
					Tensioner	38274
LTD	2005-06	BF	5.4L V8 24v SOHC EFI	Barra 230	Serp.	6PK2540
MAVERICK	1988-94	DA	4.2L 6 Cyl. 12v OHV Carb.	TB42	Alt.	13A0925
MAVERICK	1988-94	DA	4.2L 6 Cyl. 12v OHV Diesel	TD42	Alt. & Fan	13A1145
					AC	13A0980
					PS & WP	13A1260
					PS	13A1270
MAVERICK	1988-94	DA	4.2L 6 Cyl. 12v OHV EFI	TB42E	Alt. & Fan (2 Belts)	11A1130
					AC	13A0925
					PS	13A1055
METEOR	1982-83	GA	1.5L 4 Cyl. 8v SOHC Carb.	E5	Alt. & WP	11A0965
					AC - Micro-V Belt	4PK1040
					AC - V-Belt	13A1130
					PS - w/ AC	4PK1195
					PS - w/o AC	4PK1040
METEOR	1983-85	GB	1.5L 4 Cyl. 8v SOHC Carb.	B6	Alt. & WP	11A0990
					AC - Micro-V Belt	4PK1040
					AC - V-Belt	13A1130
					PS - w/ AC	4PK1195
					PS - w/o AC	4PK1040
METEOR	1985-92	GC	1.6L 4 Cyl. 8v SOHC Carb.	B6	Alt. & WP	11A0900
					AC & PS	4PK980
					AC - w/o PS	13A0930
					PS - w/o AC	4PK875

* = NZ Vehicles Only

Model	Year	Variant	Engine	Engine Code	Description	Part Number
FORD CONTINUED						
MONDEO	1995-96	HB	2.0L 4 Cyl. 16v DOHC EFI	ZH20 Zetec	Serp. Man. Trans.	6PK2080
					Serp. Auto Trans.	6PK2100
					Idler	36197
					Idler	36198
					Idler	36204
MONDEO	1995-01		2.5L V6 24v DOHC EFI	ZT25 Duratec	Serp.	6PK1815
					WP	3PK680
					Tensioner Pulley	38006
					Idler Pulley	38001
MONDEO	1996-98	HC	2.0L 4 Cyl. 16v DOHC EFI	ZH20 Zetec	Serp. Man. Trans.	6PK2080
					Serp. Auto Trans.	6PK2100
					Idler	36197
					Idler	36198
					Idler	36204
MONDEO	1998-00	HD	2.0L 4 Cyl. 16v DOHC EFI	ZH20 Zetec	Serp. Manual	6PK2080
					Serp. Auto	6PK2100
					Idler	36197
					Idler	36198
					Idler	36204
MONDEO	2000-01	HE	2.0L 4 Cyl. 16v DOHC EFI	ZH20 Zetec	Serp.	6PK2225
					Idler	36197
					Idler	36198
					Idler	36204
MUSTANG	1995-04	COBRA	4.6L V8 16v SOHC EFI	Modular 4.6	Serp.	6PK2440
					Serp. - w/o Supercharger	6PK2370
					Supercharger	8PK1910
MUSTANG	1995-04	COBRA	4.6L V8 32v DOHC EFI	Modular 4.6	Serp.	6PK2440
					Serp. w/o Supercharger	6PK2370
					Supercharger	8PK1910
					Tensioner	38189
					Idler Pulley	38006
MUSTANG	2006-07	COBRA	4.6L V8 24v SOHC EFI	Modular 4.6	Serp.	6PK2440
					Serp. w/o Supercharger	6PK2370
					Supercharger	8PK1910
PROBE	1994-98	ST	2.5L V6 24v DOHC EFI	KL	Alt.	5PK865
					Alt. & AC	5PK1015
					PS	4PK925
					Tensioner Pulley	38006
					Idler Pulley	38005
PROBE	1994-98	ST	2.5L V6 24v DOHC EFI	KL	Alt.	5PK865
					Alt. & AC	5PK1015
					PS	4PK925
PROBE	1994-98	ST	2.5L V6 24v DOHC EFI	KL	Alt.	5PK865
					Alt. & AC	5PK1015
					PS	4PK925
					Tensioner Pulley	38006
					Idler Pulley	38005

Model	Year	Variant	Engine	Engine Code	Description	Part Number
FORD CONTINUED						
RAIDER	1991-96	UV	2.6L 4 Cyl. 12v SOHC EFI	G6	Alt. & Fan	13A1065
					AC	13A1180
					PS	13A0940
RANGER	2006-09	PJ	2.5L 4 Cyl. 16v DOHC Turbo Diesel	WLAT	Alt.	13A1100
					AC	13A0975
RANGER	2006-09	PJ	3.0L 4 Cyl. 16v DOHC Turbo Diesel	WEAT	Alt.	13A1100
					AC	13A0975
SIERRA	1984-92	XR	2.8L V6 12v OHV EFI	TV28	Fan & PS	13A1155
SIERRA	1984-86		* 1.6L 4 Cyl. 8v SOHC Carb.	LE	Alt. & Fan	11A0890
SIERRA			2.0L 4 Cyl. 8v SOHC Carb.	DL20	Alt. & Fan	11A0890
SIERRA	1990-92		2.0L 4 Cyl. 16v DOHC EFI	N9	Serp.	6PK1970
SPECTRON	1983-84		1.6L 4 Cyl. 8v SOHC Carb.	NA	Alt. & Fan	13A0925
SPECTRON	1983-87		1.8L 4 Cyl. 8v SOHC Carb.	F8	Alt. & Fan	13A0990
					AC	13A0940
SPECTRON	1985-87		1.8L 4 Cyl. 12v SOHC Carb.	F8	Alt. & Fan	13A0990
					AC	13A0940
SPECTRON	1986-95		2.0L 4 Cyl. 8v SOHC Carb.	FE	Alt. & Fan	13A0990
					AC	13A0940
TAURUS	1995-98	DN	3.0L V6 24v DOHC EFI	TA	Serp.	6PK1905
					Tensioner	38181
					Tensioner	38114
					Tensioner Pulley	38006
					Idler Pulley	38001
TELSTAR	1982-87		* 1.8L 4 Cyl. 8v SOHC Carb.	F8	Alt. - w/ AC	4PK605
					Alt. & PS - w/o AC	5PK975
					Alt. - w/o PS, w/o AC	4PK815
					AC - w/o PS	5PK955
					AC & PS	5PK1055
TELSTAR	1983-85	AR	2.0L 4 Cyl. 8v SOHC EFI	FE	Alt. & AC	4PK600
					Alt. & PS - w/o AC	5PK975
					Alt. - w/o AC & PS	4PK815
					AC - w/ PS	5PK1060
					AC - w/o PS	5PK955
TELSTAR	1983-84	TX5 AR	2.0L 4 Cyl. 12v SOHC Carb.	FE	Alt. - w/ AC	4PK600
					Alt. - w/o AC	4PK815
					Alt. & PS - w/o AC - w/ AC	5PK975
					AC & PS	5PK1060
					AC - w/o PS	5PK955
TELSTAR	1983-85		* 1.6L 4 Cyl. 8v SOHC Carb.	F6	Alt. - w/ AC	4PK605
					Alt. & PS - w/o AC	5PK975
					Alt. - w/o PS, w/o AC	4PK815
					AC & PS	5PK1055
					AC - w/o PS	5PK955
TELSTAR	1984-87	TX5 AS	2.0L 4 Cyl. 12v SOHC Carb.	FE	Alt. - w/ AC	4PK600
					Alt. - w/o AC	4PK815
					Alt. & PS - w/o AC - w/ AC	5PK975
					AC & PS	5PK1060
					AC - w/o PS	5PK955

* = NZ Vehicles Only

Model	Year	Variant	Engine	Engine Code	Description	Part Number
FORD CONTINUED						
TELSTAR	1985-87	AS	2.0L 4 Cyl. 8v SOHC EFI	FE	Alt. & AC	4PK600
					Alt. & PS - w/o AC	5PK975
					Alt. - w/o AC & PS	4PK815
					AC - w/ PS	5PK1060
					AC - w/o PS	5PK955
TELSTAR	1985-87	TX5 AS	2.0L 4 Cyl. 12v EFI Turbo	FE	Alt. & AC	4PK640
					Alt. - w/o AC	4PK875
					AC & PS	5PK1040
					AC - w/o PS	5PK925
TELSTAR	1986-97		* 1.8L 4 Cyl. 16v DOHC EFI	F8	Alt. - w/ AC	4PK605
					Alt. & PS - w/o AC	5PK975
					Alt. - w/o PS, w/o AC	4PK815
					AC & PS	5PK1055
					AC - w/o PS	5PK955
TELSTAR	1987-89	AT	2.0L 4 Cyl. 8v SOHC EFI	FE	Alt.	3PK760
					Alt. (Hitachi AC)	4PK620
					AC & PS	5PK1065
					AC (Hitachi)	4PK620
					AC - w/o PS	5PK955
					PS - w/o AC	5PK1015
TELSTAR	1987-92	AT	2.2L 4 Cyl. 12v SOHC EFI	F2	Alt.	3PK760
					Alt. (Hitachi AC)	4PK620
					AC (Hitachi)	4PK620
					AC & PS	5PK1060
TELSTAR	1987-90	TX5 AT	2.2L 4 Cyl. 12v SOHC Turbo EFI	F2T	Alt.	3PK760
					Alt. (Hitachi AC)	4PK620
					AC & PS	5PK1060
TELSTAR	1987-89	TX5 AV	2.0L 4 Cyl. 12v SOHC Carb.	FE	AC & PS	5PK1065
					Alt. - w/o AC & PS	3PK760
					AC - w/o PS	5PK955
					AC (Hitachi AC)	4PK620
					PS - w/o AC	5PK1015
TELSTAR	1987-91		* 2.0L 4 Cyl. 8v SOHC Diesel	RF	Alt.	13A0915
					PS	13A1040
TELSTAR	1989-92	TX5 AV	2.0L 4 Cyl. 16v DOHC EFI	FE	Alt. & WP	4PK925
					AC & PS	5PK1165
					PS - w/o AC	5PK1015
TELSTAR	1989-92	TX5 AV	2.2L 4 Cyl. 12v SOHC EFI	F2	Alt.	3PK760
					Alt. & WP - w/ AC	4PK925
					Alt. (Hitachi AC)	4PK620
					PS - w/o AC	5PK1015
TELSTAR	1990-92	TX5 AV	2.2L 4 Cyl. 12v SOHC Turbo EFI	F2T	Alt. & WP - w/ AC	4PK925
					Alt. (Hitachi AC)	4PK620
					PS - w/o AC	5PK1015
TELSTAR	1991-96	AX	2.0L 4 Cyl. 16v DOHC EFI	FS	Alt. & WP	4PK925
					AC & PS	5PK1165
					PS - w/o AC	5PK1015
TELSTAR	1991-96	AX	2.5L V6 24v DOHC EFI	KL	Alt. & AC	5PK1015
					PS & WP	4PK915

* = NZ Vehicles Only

Model	Year	Variant	Engine	Engine Code	Description	Part Number
FORD CONTINUED						
TELSTAR	1991-96	AX	2.0L 4 Cyl. 16v DOHC EFI	FS	Alt. & WP	4PK915
					AC & PS	5PK1165
					PS - w/o AC	5PK1015
TELSTAR	1991-96	AX	2.5L V6 24v DOHC EFI	KL	Alt. & AC	5PK1015
					PS & WP	4PK915
TELSTAR	1991-96	AX	2.0L 4 Cyl. 16v DOHC EFI	FS	Alt. & WP	4PK915
					AC & PS	5PK1165
					PS - w/o AC	5PK1015
TELSTAR	1991-96	AX	2.0L 4 Cyl. 16v DOHC EFI	FS	Alt. & WP	4PK915
					AC & PS	5PK1165
					PS - w/o AC	5PK1015
TELSTAR	1992-96	TX5 AX	2.5L V6 24v DOHC EFI	KL	Alt. & AC	5PK1015
					PS & WP	4PK915
TELSTAR	1992-96	TX5 AX	2.5L V6 24v DOHC EFI	KL	Alt. & AC	5PK1015
					PS & WP	4PK915
TERRITORY	2004-09	SX	4.0L 6 Cyl. 24v DOHC EFI	Barra 182	Serp.	6PK2225
					Tensioner	38412
					Tensioner Pulley	38015
					WP Pulley	36172
					Idler Pulley	38009
TERRITORY	2004-05	SY	4.0L 6 Cyl. 24v DOHC EFI	Barra 190	Serp.	6PK2225
					Tensioner	38412
					Tensioner Pulley	38015
					WP Pulley	36172
					Idler Pulley	38009
TERRITORY	2007-09	SY	4.0L 6 Cyl. 24v DOHC Turbo EFI	Barra 245T	Serp.	6PK2225
TRADER	1979-81	0409	2.0L 4 Cyl. 8v SOHC Carb.	VA	Alt.	13A0940
TRADER	1981-84	711	4.1L 6 Cyl. 12v OHV Diesel	ZB	Alt. & Fan	15A1175
					PS	13A0865
TRADER	1981-88	0409	3.0L 4 Cyl. 8v OHV Diesel	HA	Alt.	13A1175
TRADER	1981-94	0409	3.5L 4 Cyl. 8c OHV Diesel	SL	Alt. & Fan	13A1120
					PS	13A0865
TRADER	1981-84	0509	3.0L 4 Cyl. 8v OHV Diesel	HA	Alt. - w/ AC	13A1105
					PS	13A0990
TRADER	1981-94	0409	3.5L 4 Cyl. 8c OHV Diesel	SL	Alt. & Fan	13A1120
					PS	13A0865
TRADER	1983-89	811	4.1L 6 Cyl. 12v OHV Diesel	ZB	Alt. & Fan	15A1175
					PS	13A0865
TRADER	1989-99	0409	4.0L 4 Cyl. 8v OHV Diesel	TF	Alt.	15A1195
TRADER	1989-99	0409	4.0L 4 Cyl. 8v OHV Diesel	TF	Alt.	15A1195
TRADER	1989-99	0409	4.0L 4 Cyl. 8v OHV Diesel	TF	Alt.	15A1195
TRADER	1995-99	0811	4.6L 4 Cyl. 8v OHV Diesel	TM	Alt.	15A1195
TRANSIT	1966-78		2.0L V4 8v OHV Carb.	1996cc	Alt.	11A1345
					Gen.	11A1320
TRANSIT	1994-00	VE	2.5L 4 Cyl. 8v OHV Turbo Diesel	2.5DT	Alt.	4PK1490
					AC & PS	6PK1420
					PS	13A0975
TRANSIT	1994-00	VE	2.5L 4 Cyl. 8v OHV Turbo Diesel	2.5DT	Alt.	4PK1490
					AC & PS	6PK1420
					PS	13A0975

* = NZ Vehicles Only

Model	Year	Variant	Engine	Engine Code	Description	Part Number
FORD CONTINUED						
TRANSIT	1994-00	VE	2.5L 4 Cyl. 8v OHV Turbo Diesel	2.5DT	Alt.	4PK1490
					AC & PS	6PK1420
					PS	13A0975
TRANSIT	1996-97	VF	2.0L 4 Cyl. 16v DOHC EFI	2.0	Serp. - w/ AC	6PK1980
					Serp. - w/o AC	6PK1790
					Alt. - w/o AC & PS	6PK1420
TRANSIT	1997-00	VG	2.0L 4 Cyl. 16v DOHC EFI	2.0	Serp. - w/ AC	6PK1980
					Serp. - w/o AC	6PK1790
					Alt. - w/o AC & PS	6PK1420
TRANSIT	2000-04	VH	2.3L 4 Cyl. 16v DOHC EFI	2.3	Serp. - w/ AC	6PK1955
TRANSIT	2000-07	VH	2.4L 4 Cyl. 16v DOHC Turbo Diesel	2.4DT	Serp. - w/ AC	7PK2870
TRANSIT	2000-07	VH	2.4L 4 Cyl. 16v DOHC Turbo Diesel	2.4DT	Serp. - w/ AC	7PK2870
TRANSIT	2003-07	VJ	2.3L 4 Cyl. 16v DOHC EFI	2.3	Serp. - w/ AC	6PK1955
TRANSIT	2006-07		2.2L 4 Cyl. 16v DOHC Turbo EFI	2.2DT	Alt.	6PK1675
FPV						
GT	2003-05	BA	5.4L V8 32v DOHC EFI	Boss 290	Serp.	6PK2540
GT	2005-07	BF	5.4L V8 32v DOHC EFI	Boss 290	Serp.	6PK2540
GT-P	2004-06	BA	5.4L V8 32v DOHC EFI	Boss 290	Serp.	6PK2540
GT-P	2003-05	BA	5.4L V8 32v DOHC EFI	Boss 290	Serp.	6PK2540
GT-P	2005-07	BF	5.4L V8 32v DOHC EFI	Boss 290	Serp.	6PK2540
PURSUIT	2003-05	BA	5.4L V8 32v DOHC EFI	Boss 290	Serp.	6PK2540
PURSUIT	2005-07	BF	5.4L V8 32v DOHC EFI	Boss 290	Serp.	6PK2540
SUPER PURSUIT	2005-06	BA	5.4L V8 32v DOHC EFI	Boss 290	Serp.	6PK2540
TORNADO	2002-06	BA	4.0L 6 Cyl. 24v DOHC Turbo EFI	Barra 270	Serp.	6PK2205
TORNADO	2005-07	BF	4.0L 6 Cyl. 24v DOHC Turbo EFI	Barra 270	Serp.	6PK2225
TYPHOON	2002-06	BA	4.0L 6 Cyl. 24v DOHC Turbo EFI	Barra 270	Serp.	6PK2205
TYPHOON	2005-07	BF	4.0L 6 Cyl. 24v DOHC Turbo EFI	Barra 270	Serp.	6PK2225
HINO						
FC	1985-92		5.8L 6 Cyl. 12v OHV Diesel	W06D	Alt. & Fan	15A1285
FD	1981-86		6.4L 6 Cyl. 12v OHV Diesel	EH700	Alt. & Fan	15A1285
FD	1991-97		6.0L 6 Cyl. 12v OHV Diesel	W06E	Alt. & Fan	15A1285
FF 19	1982-88		6.4L 6 Cyl. 12v OHV Diesel	EH700	Alt. & Fan	15A1410
					AC	13A1040
					PS	15A0965
FG	1991-96		6.7L 6 Cyl. 12v OHV Diesel	H07C	Alt. & Fan	15A1340
KL	1979-84		5.0L 6 Cyl. 12v OHV Diesel	EH700	Alt. & Fan	15A1340
RANGER	1997-06	FD	8.0L 6 Cyl. 24v SOHC Turbo Diesel	J08C	Alt. & Fan	15A1285
					AC	13A1015
HOLDEN						
ADVENTRA	2003-07	VY	5.7L V8 16v OHV EFI	GEN III	Alt.	6PK1995
					AC	4PK1100
ADVENTRA	2003-07	VZ	3.6L V6 24v DOHC EFI	H7 190kw	Serp.	6PK2555
ADVENTRA	2004-06	VZ	5.7L V8 16v OHV EFI	GEN III	Alt.	6PK1995
					AC	4PK1100
APOLLO	1989-91	JK	2.0L 4 Cyl. 16v DOHC Carb.	3SFC	Alt. & AC	5PK1105
					Alt. - w/o AC	5PK990
					PS	3PK760

Model	Year	Variant	Engine	Engine Code	Description	Part Number
HOLDEN CONTINUED						
APOLLO	1989-90	JK	2.0L 4 Cyl. 16v DOHC EFI	3SFE	Alt. & AC	5PK1105
					Alt. - w/o AC	5PK990
					PS	3PK760
APOLLO	1991-93	JL	2.0L 4 Cyl. 16v DOHC EFI	3SFE	Alt. & AC	5PK1105
					Alt. - w/o AC	5PK975
					PS	3PK780
APOLLO	1993-95	JM	2.2L 4 Cyl. 16v DOHC EFI	5SFE	Alt. & AC	5PK1105
					Alt. - w/o AC	5PK990
					PS	3PK760
APOLLO	1993-95	JM	3.0L V6 24v DOHC EFI	3VZFE	Alt. & AC	6PK1050
					Alt. - w/o AC	6PK940
					PS	4PK800
APOLLO	1993-97	JP	3.0L V6 24v DOHC EFI	3VZFE	Alt. & AC	6PK1050
					Alt. - w/o AC	6PK940
					PS	4PK800
APOLLO	1995-97	JP	2.2L 4 Cyl. 16v DOHC EFI	5SFE	Alt. & AC	5PK1105
					Alt. - w/o AC	5PK990
					PS	3PK760
ASTRA	1984-86	LB	1.5L 4 Cyl. 8v SOHC Carb.	E15	Alt. & WP	11A0990
					AC	13A0800
ASTRA	1986-87	LC	1.5L 4 Cyl. 8v SOHC Carb.	E16	Alt. & WP	11A0990
					AC	13A0800
ASTRA	1987-89	LD	1.6L 4 Cyl. 8v SOHC Carb.	16LF	Alt.	11A0840
					AC	13A0940
					PS	11A0900
ASTRA	1987-89	LD	1.8L 4 Cyl. 8v SOHC EFI	18LE	Alt.	11A0840
					AC	13A0940
					PS	11A0890
ASTRA	1996-99	TR	1.6L 4 Cyl. 8v SOHC MPFI	C16SE	Alt., AC & PS	6PK1790
					Alt. & PS - w/o AC	6PK1460
					Alt. - w/o PS, w/o AC	11A0925
					Tensioner Pulley	36101
					Idler Pulley	38152
ASTRA	1996-98	TR	1.8L 4 Cyl. 16v DOHC EFI	C18SEL	Serp. - w/ AC	6PK1905
					Serp. - w/o AC	6PK1740
					Tensioner Pulley	36101
					Idler Pulley	36152
ASTRA	1996-98	TR	1.8L 4 Cyl. 8v SOHC MPFI	C18SE	Serp. - w/ AC	6PK1905
					Serp. - w/o AC	6PK1740
					Tensioner Pulley	36101
					Serp. - w/ AC	6PK1905
ASTRA	1996-98	TR	2.0L 4 Cyl. 16v DOHC EFI	X20XEV	Serp. - w/ AC	6PK1905
					Serp. - w/o AC	6PK1740
					Tensioner	38154
					Tensioner Pulley	36101
					Idler Pulley	36152
ASTRA	1996-98	TR	2.0L 4 Cyl. 16v DOHC EFI	C20SED	Serp. - w/ AC	6PK1900
					Serp. - w/o AC	6PK1740

* = NZ Vehicles Only

Model	Year	Variant	Engine	Engine Code	Description	Part Number
HOLDEN CONTINUED						
ASTRA	1998-05	TS	1.8L 4 Cyl. 16v DOHC EFI	X18XE	Serp. - w/ AC	5PK1210
					Serp. - w/o AC	5PK940
					Tensioner	38212
					Tensioner Pulley	38032
ASTRA	1998-07	TS	1.8L 4 Cyl. 16v DOHC EFI	Z18XE	Serp. - w/ AC	5PK1210
					Serp. - w/o AC	5PK940
					Tensioner	38433
					Tensioner Pulley	38032
ASTRA	2001-06	TS	2.2L 4 Cyl. 16v DOHC MPFI	X22SE	Serp. - w/ AC	5PK1030
					Serp. - w/o AC	5PK885
					Tensioner	38154
ASTRA	2001-06	TS	2.2L 4 Cyl. 16v DOHC MPFI	Z22SE	Serp. - w/ AC	5PK1030
					Serp. - w/o AC	5PK885
ASTRA	2003-05	TS	2.0L 4 Cyl. 16v DOHC Turbo EFI	Z20LET	Tensioner	38154
ASTRA	2004-07	AH	1.8L 4 Cyl. 16v DOHC EFI	Z18XE	Serp. - w/ AC	5PK1210
					Serp. - w/o AC	5PK940
					Tensioner	38433
					Tensioner Pulley	38032
ASTRA	2006-08	AH	1.9L 4 Cyl. 16v SOHC Turbo EFI	Z19DT	Alt. - w/ AC	6PK1360
					Alt. - w/o AC	6PK1050
ASTRA	2006-07	AH	2.0L 4 Cyl. 16v DOHC Turbo EFI	Z20LET	Serp.	5PK1690
ASTRA	2007-08	AH	1.9L 4 Cyl. 16v DOHC Turbo EFI	Z19DTH	Alt. - w/ AC	6PK1360
					Alt. - w/o AC	6PK1050
ASTRA	2007-08	AH	2.2L 4 Cyl. 16v DOHC Direct Inj.	Z22Y	Serp.	5PK1685
BARINA	1985-89	MB	1.3L 4 Cyl. 8v SOHC Carb.	G13A	Alt. & WP	11A0825
					AC	11A0850
BARINA	1985-89	MB	1.3L 4 Cyl. 8v SOHC Carb.	G13A	Alt. & WP	11A0825
					AC	11A0850
BARINA	1989-90	MF	1.3L 4 Cyl. 8v SOHC Carb.	G13BA	Alt. & WP	3PK780
					AC	4PK800
BARINA	1991-94	MH	1.3L 4 Cyl. 8v SOHC Carb.	G13BA	Alt. & WP	3PK820
					AC	4PK800
BARINA	1994-98	SB	1.2L 4 Cyl. 8v SOHC EFI	C12NZ	Alt. & PS	6PK1460
					Alt. - w/o PS	11A0915
BARINA	1994-01	SB	1.4L 4 Cyl. 8v SOHC EFI	C14NZ	Serp.	6PK1790
					Serp. - w/o AC	6PK1460
					Tensioner	38154
BARINA	1994-98	SB	1.6L 4 Cyl. 16v DOHC EFI	X16XE	Tensioner -PS -AC	38369
BARINA	1994-98	SB	1.6L 4 Cyl. 16v DOHC EFI	C16XE	Serp.	6PK1790
					Tensioner	38154
					Tensioner w/o PS & AC	38369
					Tensioner Pulley	36101
					Idler Pulley	36152
BARINA	1997-01	SB	1.4L 4 Cyl. 8v SOHC EFI	C14SE	Tensioner - AC	38369
					Tensioner Pulley	36101
BARINA	1997-01	SB	1.4L 4 Cyl. 8v SOHC EFI	C14SE	Tensioner - AC	38369
					Tensioner Pulley	36101

Model	Year	Variant	Engine	Engine Code	Description	Part Number
HOLDEN CONTINUED						
BARINA	2000-07	XC	1.4L 4 Cyl. 16v DOHC EFI	Z14XE	Serp. - w/ AC	5PK1210
					Serp. - w/o AC	5PK940
					Tensioner Pulley	38032
					Tensioner	38212
BARINA	2001-05	XC	1.4L 4 Cyl. 16v DOHC EFI	Z14XEP	Serp. - w/ AC	5PK1210
					Serp. - w/o AC	5PK940
					Tensioner	38212
BARINA	2001-07	XC	1.6L 4 Cyl. 8v SOHC MPFI	Z16SE	Serp. - w/ AC	5PK1210
					Serp. - w/o AC	5PK940
					Tensioner	38212
BARINA	2001-05	XC	1.8L 4 Cyl. 16v DOHC EFI	Z18XE	Serp.	5PK1210
					Tensioner Pulley	38032
BARINA	2005-09	TK	1.6L 4 Cyl. 16v DOHC EFI	F16D	Serp.	6PK1875
BERLINA	1984-86	VK	3.3L 6 Cyl. 12v OHV Carb.	202	Alt. & Fan	11A0950
					PS	11A0725
BERLINA	1986-88	VL	3.0L 6 Cyl. 12v SOHC Turbo EFI	RB30ET	Alt. - 855mm Belt	4PK855
					Alt. - 875mm Belt	4PK875
					AC	11A0825
					PS	3PK875
BERLINA	1986-88	VL	5.0L V8 16v OHV EFI	304	Alt.	11A1145
					AC	11A1310
					PS	11A1040
BERLINA	1994-86	VK	5.0L V8 16v OHV Carb.	308	Alt.	11A1145
					AC - Sanden Comp	11A1320
					PS	11A1040
BERLINA	2000-02	VX	3.8L V6 12v OHV EFI	3.8 Ecotec	Serp. - w/ AC	6PK2830
					Serp. - w/o AC	6PK2225
BERLINA	2000-02	VX	3.8L V6 12v OHV Supercharged EFI	3.8 Ecotec	Serp.	6PK2845
					Supercharger	6PK1755
BERLINA	2000-02	VX	5.7L V8 16v OHV EFI	GEN III	Serp.	6PK1995
					AC	4PK1100
BERLINA	2002-04	VY	3.8L V6 12v OHV EFI	3.8 Ecotec	Serp. - w/ AC	6PK2815
					Serp. - w/o AC	6PK2225
BERLINA	2002-04	VY	3.8L V6 12v OHV Supercharged EFI	3.8 Ecotec	Serp.	6PK2845
					Supercharger	6PK1755
BERLINA	2002-03	VY	5.7L V8 16v OHV EFI	GEN III 225kw	Serp.	6PK1995
					AC	4PK1100
BERLINA	2003-04	VY	5.7L V8 16v OHV EFI	GEN III 235kw	Serp.	6PK1995
					AC	4PK1100
BERLINA	2004-08	VZ	3.6L V6 24v DOHC EFI	HB 175kw	Serp.	6PK2555
BERLINA	2006-07	VE	3.6L V6 24v DOHC EFI	HN 180kw	Serp.	6PK2555
BERLINA	2006-07	VE	3.6L V6 24v DOHC EFI	LPG HN	Serp.	6PK2555
BERLINA	2006-08	VE	6.0L V8 16v OHV EFI	L98	Serp.	6PK2555
BERLINA	2007-09	VE	3.6L V6 24v DOHC EFI	HB 175kw	Serp.	6PK2555
BROUGHAM	1968-69	HK	5.0L V8 16v OHV Carb.	308	Alt.	11A1395
					PS	11A0890
BROUGHAM	1969-70	HT	5.0L V8 16v OHV Carb.	308	Alt.	11A1155
					PS - w/ AC	11A1255
CALAIS	1984-86	VK	3.3L 6 Cyl. 12v OHV Carb.	202	Alt. & Fan	11A0950
					PS	11A0725

* = NZ Vehicles Only

Model	Year	Variant	Engine	Engine Code	Description	Part Number
HOLDEN CONTINUED						
CALAIS	1984-86	VK	5.0L V8 16v OHV Carb.	308	Alt. & Fan	11A1145
					AC (Sanden Comp.)	11A1320
					PS	11A1040
CALAIS	1986-88	VL	3.0L 6 Cyl. 12v SOHC EFI	RB30	Alt. & Fan	4PK875
					AC - Micro-V Belt	4PK925
					AC - V-Belt	11A0825
					PS	3PK875
					Tensioner Pulley - AC	38036
CALAIS	1986-89	VL	5.0L V8 16v OHV EFI	304	Alt. & Fan	11A1145
					AC	11A1310
					PS	11A1040
CALAIS	1988-92	VN	3.8L V6 16v OHV EFI	3.8	Serp. - w/ AC	6PK2370
					Serp. - w/o AC	6PK1650
					Tensioner	38265
					Tensioner Pulley	38012
					Idler Pulley	38005
CALAIS	1988-95	VR	5.0L V8 16v OHV EFI	304	Alt. & PS	11A1130
					AC	13A0850
CALAIS	1989-91	VN	5.0L V8 16v OHV EFI	304	Alt. & PS	11A1130
					AC	13A0840
CALAIS	1991-93	VP	3.8L V6 16v OHV EFI	3.8	Serp. - w/ AC	6PK2370
					Serp. - w/o AC	6PK1650
					Tensioner	38265
					Tensioner Pulley	38012
					Idler Pulley	38005
CALAIS	1991-93	VP	5.0L V8 16v OHV EFI	304	Alt. & PS	11A1130
					AC	13A0850
CALAIS	1993-95	VR	3.8L V6 16v OHV EFI	3.8	Serp. - w/ AC	6PK2370
					Serp. - w/o AC	6PK1650
					Tensioner	38265
					Tensioner Pulley	38012
					Idler Pulley	38005
CALAIS	1995-97	VS	3.8L V6 12v OHV EFI	3.8 Ecotec	Serp. - w/ AC	6PK2720
					Serp. - w/o AC	6PK2225
					Tensioner	38210
					Tensioner Pulley	38006
					Idler Pulley - 1	36143
					Idler Pulley - 2	38019
CALAIS	1995-99	VS	3.8L V6 12v OHV Supercharged EFI	3.8 Ecotec	Serp. - Supercharged - w/ AC	6PK2745
					Serp. - w/o AC	6PK2845
					Supercharger	6PK1755
					Tensioner	38210
					Tensioner Pulley	38006
					Idler Pulley - 1	36143
					Idler Pulley - 2	38019
					Idler Pulley - S/C	38009
					Tensioner Pulley - S/C	38006

Model	Year	Variant	Engine	Engine Code	Description	Part Number
HOLDEN CONTINUED						
CALAIS	1995-97	VS	5.0L V8 16v OHV EFI	304	Alt. & Fan	11A1145
					AC	13A0850
					PS (Single Track Pulley)	11A1130
					PS (Dual Track Pulley)	11A1245
CALAIS	1997-00	VT	3.8L V6 12v OHV EFI	3.8 Ecotec	Serp. - w/ AC	6PK2815
					Serp. - w/o AC	6PK2225
					Tensioner	38210
					Tensioner Pulley	38006
					Idler Pulley - 1	38005
					Idler Pulley - 2	38009
CALAIS	1997-00	VT	3.8L V6 12v OHV Supercharged EFI	3.8 Ecotec	Serp.	6PK2845
					Supercharger	6PK1755
					Tensioner	38210
					Tensioner Pulley	38006
					Tensioner Pulley - S/C	38006
					Idler Pulley - 1	38005
					Idler Pulley - 2	38009
					Idler Pulley - S/C	38009
CALAIS	1997-99	VT	5.0L V8 16v OHV EFI	304	Fan & WP	4PK1195
					AC	4PK925
					PS	11A1105
CALAIS	1999-00	VT	5.7L V8 16v OHV EFI	GEN III	Serp.	6PK1995
					AC	4PK1100
					Tensioner	38195
					Tensioner - AC	38196
					Idler Pulley	38041
CALAIS	2000-02	VX	3.8L V6 12v OHV EFI	3.8 Ecotec	Serp.	6PK2815
					Serp. - w/o AC	6PK2225
					Tensioner	38210
					Tensioner Pulley	38006
					Idler Pulley - 1	38005
					Idler Pulley - 2	38009
CALAIS	2000-02	VX	3.8L V6 12v OHV Supercharged EFI	3.8 Ecotec	Serp.	6PK2845
					Supercharger	6PK1755
					Tensioner	38210
					Tensioner Pulley	38006
					Tensioner Pulley - S/C	38006
					Idler Pulley - 1	38005
					Idler Pulley - 2	38009
					Idler Pulley - S/C	38009
CALAIS	2000-02	VX	5.7L V8 16v OHV EFI	GEN III	Serp.	6PK1995
					AC	4PK1100
					Tensioner	38195
					Tensioner - AC	38196
					Idler Pulley	38041

* = NZ Vehicles Only

Model	Year	Variant	Engine	Engine Code	Description	Part Number
HOLDEN CONTINUED						
CALAIS	2002-04	VY	3.8L V6 12v OHV EFI	3.8 Ecotec	Serp.	6PK2815
					Serp. - w/o AC	6PK2225
					Tensioner	38210
					Tensioner Pulley	38006
					Idler Pulley - 1	38005
					Idler Pulley - 2	38009
CALAIS	2002-04	VY	3.8L V6 12v OHV Supercharged EFI	3.8 Ecotec	Serp.	6PK2845
					Supercharger	6PK1755
					Tensioner	38210
					Tensioner Pulley	38006
					Tensioner Pulley - S/C	38006
					Idler Pulley - 1	38005
					Idler Pulley - 2	38009
					Idler Pulley - S/C	38009
CALAIS	2002-04	VY	5.7L V8 16v OHV EFI	GEN III	Serp.	6PK1995
					AC	4PK1100
					Tensioner	38195
					Tensioner - AC	38196
					Idler Pulley	38041
CALAIS	2004-05	VZ	3.6L V6 24v DOHC EFI	H7 190kw	Serp.	6PK2555
					Tensioner	38397
					Tensioner Pulley	36101
CALAIS	2004-06	VZ	5.7L V8 16v OHV EFI	GEN III	Serp.	6PK1970
					AC	4PK1100
					Tensioner	38195
					Tensioner - AC	38196
					Idler Pulley	38041
CALAIS	2006-08	VE	3.6L V6 24v DOHC EFI	HB 175kw	Serp.	6PK2555
					Tensioner	38397
					Tensioner Pulley	36101
CALAIS	2006-07	VE	6.0L V8 16v OHV EFI	L98	Serp.	6PK2555
CALIBRA	1991-95	YE	2.0L 4 Cyl. 8v SOHC EFI	C20XE	Alt. - w/ 70a Alt. - Upto 08/92	11A0915
					Alt. - w/ 90a Alt. (Ch. # L) - Upto 08/90	11A1005
					Alt. - w/ (Ch. # M,N) - Upto 08/92	11A0940
					Alt. - w/ Air. Con. - 9/92-1994	6PK1900
					Alt. - w/o Air. Con. - 9/92-1994	6PK1730
					AC - To-08/92	13A0875
					PS - w/ AC	11A0685
					PS - w/ AC	11A0685
					PS - w/o AC	11A0785
					Tensioner	38154
					Tensioner Pulley	36101
					Idler Pulley	36152

Model	Year	Variant	Engine	Engine Code	Description	Part Number
HOLDEN CONTINUED						
CALIBRA	1991-95	YE	2.0L 4 Cyl. 8v SOHC EFI	C20JE	Alt. - w/ AC	6PK1905
					Alt.	11A0940
					AC & PS	11A0685
					AC	13A0870
CALIBRA	1994-97	YE	2.0L 4 Cyl. 16v DOHC Turbo EFI	C20LET	Serp. - w/ AC	6PK1905
					Serp. - w/o AC	6PK1740
					Tensioner	38154
					Tensioner Pulley	36101
					Idler Pulley	36152
CALIBRA	1995-97	YE	2.5L V6 24v DOHC EFI	C25XE	Serp.	6PK2260
CAMIRA	1982-85	JB	1.6L 4 Cyl. 8v SOHC Carb.	16JH	Alt.	11A0980
					AC (Kiki Comp.)	13A0870
					AC - w / Delco Comp.	11A0815
CAMIRA	1984-86	JD	1.6L 4 Cyl. 8v SOHC Carb.	16JH	Alt.	11A0890
					AC & PS (2 Belts)	11A1890
					Alt. - w / Delco Comp.	11A0815
					AC (Kiki Comp.)	13A0870
					AC - w/o AC & PS	11A0900
CAMIRA	1984-87	JD	1.8L 4 Cyl. 8v SOHC EFI	18JC	Alt.	11A0890
					AC & PS	11A0980
					PS - w/o AC & PS	11A0900
CAMIRA	1987-89	JE	2.0L 4 Cyl. 8v SOHC EFI	C20JE	Alt.	11A0915
					AC - w/ PS	13A0990
					AC - w/o PS	13A0925
					PS - w/o AC	13A0915
CAPRICE	1988-95	VR	3.8L V6 12v OHV EFI	3.8	Serp. - w/ AC	6PK2370
					Serp. - w/o AC	6PK1650
					Tensioner	38265
					Tensioner Pulley	38012
					Idler Pulley	38005
CAPRICE	1990-94	VQ	5.0L V8 16v OHV EFI	304	Alt. & Fan	11A1130
					Alt. & PS	11A1145
					AC	13A0850
CAPRICE	1994-95	VR	5.0L V8 16v OHV EFI	304	Alt. & Fan	11A1130
					Alt. & PS	11A1145
					AC	13A0850
CAPRICE	1995-99	VS	3.8L V6 12v OHV EFI	3.8 Ecotec	Serp. - w/ AC	6PK2720
					Serp. - w/o AC	6PK2230
					Tensioner	38210
					Tensioner Pulley	38006
					Idler Pulley - 1	36143
					Idler Pulley - 2	38019

* = NZ Vehicles Only

Model	Year	Variant	Engine	Engine Code	Description	Part Number
HOLDEN CONTINUED						
CAPRICE	1995-99	VS	3.8L V6 12v OHV Supercharged EFI	3.8 Ecotec	Serp. - Supercharged - w/ AC	6PK2745
					Serp. - w/o AC	6PK2845
					Supercharger	6PK1755
					Tensioner	38210
					Tensioner Pulley	38006
					Tensioner Pulley - S/C	38006
					Idler Pulley - 1	36143
					Idler Pulley - 2	38019
					Idler Pulley - S/C	38009
CAPRICE	1995-99	VS	5.0L V8 16v OHV EFI	304	Alt. & Fan	11A1130
					AC	13A0840
					PS	11A1245
CAPRICE	1996-99	VS	5.0L V8 16v OHV EFI	HSV	Alt. & Fan	11A1130
					AC	13A0840
					PS	11A1245
CAPRICE	1999-03	WH	3.8L V6 12v OHV EFI	3.8 Ecotec	Serp.	6PK2815
CAPRICE	1999-03	WH	3.8L V6 12v OHV Supercharged EFI	3.8 Ecotec	Serp.	6PK2845
					Supercharger	6PK1755
CAPRICE	1999-03	WH	5.7L V8 16v OHV EFI	GEN III	Serp.	6PK1995
					AC	4PK1100
CAPRICE	2003-04	WK	3.8L V6 12v OHV EFI	3.8 Ecotec	Serp.	6PK2815
CAPRICE	2003-04	WK	5.7L V8 16v OHV EFI	GEN III	Serp.	6PK1995
					AC	4PK1100
CAPRICE	2004-07	WL	3.6L V6 24v DOHC EFI	H7 190kw	Serp.	6PK2555
					Tensioner	38397
					Tensioner Pulley	36101
CAPRICE	2004-07	WL	5.7L V8 16v OHV EFI	GEN III	Serp.	6PK1995
					AC	4PK1100
CAPRICE	2004-07	WL	6.0L V8 16v OHV EFI	GEN IV	Serp.	6PK1940
					AC	4PK1100
CAPRICE	2006-09	WM	3.6L V6 24v DOHC EFI	H7 190kw	Serp.	6PK2555
					Tensioner	38397
					Tensioner Pulley	36101
CAPRICE	2006-08	WM	6.0L V8 16v OHV EFI	GEN IV	Serp.	6PK1940
					AC	4PK1100
COMBO	1996-01	SB	1.4L 4 Cyl. 8v SOHC EFI	C14NZ	Alt., AC & PS	6PK1790
					Alt. & PS - w/o AC	6PK1460
					Alt. - w/o PS & AC	11A0915
					Tensioner	38154
					Tensioner Pulley	36101
COMBO	2002-06	XC	1.6L 4 Cyl. 8v SOHC EFI	Z16SE	Serp. - w/ AC	5PK1210
					Serp. - w/o AC	5PK940
COMBO	2002-06	XC	1.6L 4 Cyl. 8v SOHC EFI	Z16SE	Tensioner	38212
					Tensioner Pulley	38032
COMMODORE	1978-81	VB	2.8L 6 Cyl. 12v OHV Carb.	173	Alt. & Fan	11A0925
					AC	11A1180
					Air Pump	11A0890
					PS	10A0725

Model	Year	Variant	Engine	Engine Code	Description	Part Number
HOLDEN CONTINUED						
COMMODORE	1978-81	VB	3.3L 6 Cyl. 12v OHV Carb.	202	Alt. & Fan Delco Comp.	11A1060
					Alt. & Fan Sankyo Comp.	11A1030
					Alt. & Fan - w/o AC	11A0900
					AC Delco Comp.	11A0925
					AC Sankyo Comp.	11A0875
					PS	11A1105
COMMODORE	1978-81	VB	4.2L V8 Cyl. 16v OHV Carb.	253	Alt. & Fan	11A1155
					AC - Delco Comp.	11A1385
					AC - Sankyo Comp.	11A1345
					PS	11A1040
COMMODORE	1978-80	VB	5.0L V8 Cyl. 16v OHV Carb.	308	Alt. & Fan	11A1155
					AC - Delco Comp.	11A1385
					AC - Sankyo Comp.	11A1345
					PS	11A1040
COMMODORE	1978-81	VB	2.8L 6 Cyl. 12v OHV Carb.	173	Alt. & Fan	11A0925
					AC	11A1180
					Air Pump	11A0890
					PS	10A0725
COMMODORE	1978-81	VB	4.2L V8 Cyl. 16v OHV Carb.	253	Alt. & Fan	11A1155
					AC - Delco Comp.	11A1385
					AC - Sankyo Comp.	11A1345
					PS	11A1040
COMMODORE	1980-81	VC	1.9L 4 Cyl. 8v OHV Carb.	1X Starfire	Alt. & Fan - w/ AC	11A1090
					Alt. & Fan - w/o AC	11A0915
					AC	11A0990
					PS - w/ AC	11A1040
					PS - w/o AC	11A0750
COMMODORE	1980-81	VC	3.3L 6 Cyl. 12v OHV Carb.	202	Alt. & Fan Delco Comp.	11A1060
					Alt. & Fan Sankyo Comp.	11A1030
					Alt. & Fan - w/o AC	11A0900
					AC Delco Comp.	11A0925
					AC Sankyo Comp.	11A0875
					PS	11A1105
COMMODORE	1980-81	VC	5.0L V8 Cyl. 16v OHV Carb.	308	Alt. & Fan	11A1155
					AC - Delco Comp.	11A1385
					AC - Sankyo Comp.	11A1345
					PS	11A1040
COMMODORE	1981-84	VH	1.9L 4 Cyl. 8v OHV Carb.	1X Starfire	Alt. & Fan	11A0925
					AC	11A1145
					PS	11A0750
COMMODORE	1981-84	VH	2.8L 6 Cyl. 12v OHV Carb.	173	Alt. & Fan	11A0925
					AC	11A1180
					Air Pump	11A0890
					PS	10A0725
COMMODORE	1981-84	VH	3.3L 6 Cyl. 12v OHV Carb.	202	Alt. & Fan - w/ AC	11A1030
					Alt. & Fan - w/o AC	11A0900
					AC	11A0875
					PS	11A1105

* = NZ Vehicles Only

Model	Year	Variant	Engine	Engine Code	Description	Part Number
HOLDEN CONTINUED						
COMMODORE	1981-84	VH	4.2L V8 Cyl. 16v OHV Carb.	253	Alt. & Fan	11A1145
					AC - Sankyo Comp.	11A1345
					PS	11A1040
COMMODORE	1982-84	VH	5.0L V8 Cyl. 16v OHV Carb.	308	Alt. & Fan	11A1145
					AC - Delco Comp.	11A1385
					AC - Sankyo Comp.	11A1345
					PS	11A1040
COMMODORE	1984-86	VK	3.3L 6 Cyl. 12v OHV Carb.	202	Alt.	11A0950
					AC	11A1180
					Fan & AC	11A0890
					PS	11A0725
COMMODORE	1984-86	VK	5.0L V8 16v OHV EFI	308	Alt. & Fan	11A1145
					AC	11A1320
					PS	11A1040
COMMODORE	1984-86	VK	5.0L V8 Cyl. 16v OHV Carb.	308	Alt. & Fan	11A1145
					AC	11A1310
					PS	11A1040
COMMODORE	1986-88	VL	3.0L 6 Cyl. 12v SOHC EFI	RB30	Alt. & Fan - 855mm Belt	4PK855
					Alt. & Fan - 875mm Belt	4PK875
					AC	11A0825
					PS	3PK875
					Idler Pulley	38036
COMMODORE	1986-88	VL	3.0L 6 Cyl. 12v SOHC Turbo EFI	RB30ET	Alt. - 855mm Belt	4PK855
					Alt. - 875mm Belt	4PK875
					AC	11A0825
					PS	3PK875
					Idler Pulley	38036
COMMODORE	1986-89	VL	5.0L V8 16v OHV EFI	304	Alt. & Fan	11A1145
					AC	11A1310
					PS	11A1040
COMMODORE	1987-90	VL	5.0L V8 16v OHV EFI	308	Alt. & Fan	11A1145
					AC	11A1320
					PS	11A1040
COMMODORE	1988-91	VN	3.8L V6 12v OHV EFI	3.8	Serp. - w/ AC	6PK2370
					Serp. - w/o AC	6PK1650
					Tensioner	38265
					Tensioner Pulley	38012
					Idler Pulley	38005
COMMODORE	1988-91	VN	5.0L V8 16v OHV EFI	5.0	Alt. & Fan	11A1130
					AC	13A0840
COMMODORE	1990-92	VG	3.8L V6 12v OHV EFI	3.8	Serp. - w/ AC	6PK2370
					Serp. - w/o AC	6PK1650
					Tensioner	38265
					Tensioner Pulley	38012
					Idler Pulley	38005
COMMODORE	1990-92	VG	5.0L V8 16v OHV EFI	5.0	Alt. & Fan	11A1145
					AC	13A0850
					PS	11A1245

Model	Year	Variant	Engine	Engine Code	Description	Part Number
HOLDEN CONTINUED						
COMMODORE	1991-93	VP	3.8L V6 12v OHV EFI	3.8	Serp. - w/ AC	6PK2370
					Serp. - w/o AC	6PK1650
COMMODORE	1991-93	VP	5.0L V8 16v OHV EFI	5.0	Alt. & Fan	11A1130
					AC	13A0850
COMMODORE	1993-95	VR	3.8L V6 12v OHV EFI	3.8	Serp. - w/ AC	6PK2370
					Serp. - w/o AC	6PK1650
					Tensioner	38265
					Tensioner Pulley	38012
					Idler Pulley	38005
COMMODORE	1993-95	VR	5.0L V8 16v OHV EFI	5.0	Alt. & Fan	11A1130
					AC	13A0850
COMMODORE	1995-01	VS	3.8L V6 12v OHV EFI	3.8 Ecotec	Serp. - w/ AC	6PK2720
					Serp. - w/o AC	6PK2225
					Tensioner	38210
					Tensioner Pulley	38006
					Idler Pulley - 1	36143
					Idler Pulley - 2	38019
COMMODORE	1995-99	VS	3.8L V6 12v OHV Supercharged EFI	3.8 Ecotec	Serp.	6PK2745
					Supercharger	6PK1755
COMMODORE	1995-97	VS	5.0L V8 16v OHV EFI	5.0	Alt. & Fan	11A1145
					AC	13A0850
					PS (Single Track Pulley)	11A1145
					PS (Dual Track Pulley)	11A1245
COMMODORE	1997-00	VT	3.8L V6 12v OHV EFI	3.8 Ecotec	Serp. - w/ AC	6PK2830
					Serp. - w/o AC	6PK2225
					Tensioner	38210
					Tensioner Pulley	38006
					Idler Pulley - 1	38005
					Idler Pulley - 2	38009
COMMODORE	1997-00	VT	3.8L V6 12v OHV Supercharged EFI	3.8 Ecotec	Serp.	6PK2830
					Supercharger	6PK1755
					Tensioner	38210
					Tensioner Pulley	38006
					Tensioner Pulley - S/C	38006
					Idler Pulley - 1	38005
					Idler Pulley - 2	38009
					Idler Pulley - S/C	38009
COMMODORE	1997-00	VT	5.0L V8 16v OHV EFI	5.0	Fan & WP	4PK1195
					AC	4PK925
					PS	11A1105
COMMODORE	1999-00	VT	5.7L V8 16v OHV EFI	GEN III	Serp.	6PK1995
					AC	4PK1100
					Tensioner	38195
					Tensioner - AC	38196
					Idler Pulley	38041

* = NZ Vehicles Only

Model	Year	Variant	Engine	Engine Code	Description	Part Number
HOLDEN CONTINUED						
COMMODORE	2000-02	VU (Utility)	3.8L V6 12v OHV EFI	3.8 Ecotec	Serp. - w/ AC	6PK2830
					Serp. - w/o AC	6PK2225
					Tensioner	38210
					Tensioner Pulley	38006
					Idler Pulley - 1	38005
					Idler Pulley - 2	38009
COMMODORE	2000-03	VU (Utility)	5.7L V8 16v OHV EFI	GEN III	Serp.	6PK1995
					AC	4PK1100
COMMODORE	2000-02	VX	3.8L V6 12v OHV Supercharged EFI	3.8 Ecotec	Serp.	6PK2845
					Supercharger	6PK1755
					Tensioner	38210
					Tensioner Pulley	38006
					Tensioner Pulley - S/C	38006
					Idler Pulley - 1	38005
					Idler Pulley - 2	38009
					Idler Pulley - S/C	38009
COMMODORE	2000-02	VX	5.7L V8 16v OHV EFI	GEN III	Serp.	6PK1995
					AC	4PK1100
					Tensioner	38195
					Tensioner - AC	38196
					Idler Pulley	38041
COMMODORE	2002-04	VY	3.8L V6 12v OHV EFI	3.8 Ecotec	Serp.	6PK2830
					Serp. - w/o AC	6PK2225
					Tensioner	38210
					Tensioner Pulley	38006
					Idler Pulley - 1	38005
					Idler Pulley - 2	38009
COMMODORE	2002-04	VY	3.8L V6 12v OHV Supercharged EFI	3.8 Ecotec	Serp.	6PK2845
					Supercharger	6PK1755
					Tensioner	38210
					Tensioner Pulley	38006
					Tensioner Pulley - S/C	38006
					Idler Pulley - 1	38005
					Idler Pulley - 2	38009
					Idler Pulley - S/C	38009
COMMODORE	2002-04	VY	5.7L V8 16v OHV EFI	GEN III	Serp.	6PK1995
					AC	4PK1100
					Tensioner	38195
					Tensioner - AC	38196
					Idler Pulley	38041
COMMODORE	2004-06	VZ	3.6L V6 24v DOHC EFI	HB 175kw	Serp.	6PK2555
COMMODORE	2004-06	VZ	3.6L V6 24v DOHC EFI	H7 190kw	Serp.	6PK2555
					Tensioner	38397
					Tensioner Pulley	36101
COMMODORE	2004-06	VZ	5.7L V8 16v OHV EFI	GEN III	Serp.	6PK1995
					AC	4PK1100
					Tensioner	38195
					Tensioner - AC	38196
					Idler Pulley	38041

Model	Year	Variant	Engine	Engine Code	Description	Part Number
HOLDEN CONTINUED						
COMMODORE	2004-07	VZ	6.0L V8 16v OHV EFI	L76	Serp.	6PK1995
					AC	4PK1100
COMMODORE	2005-07	VZ	6.0L V8 16v OHV EFI	LS2	Serp.	6PK1995
					AC	4PK1100
COMMODORE	2006-07	VE	3.6L V6 24v DOHC EFI	HN 180kw	Serp.	6PK2555
					Tensioner	38397
					Tensioner Pulley	36101
COMMODORE	2006-09	VE	3.6L V6 24v DOHC EFI	HB 175kw	Serp.	6PK2555
COMMODORE	2006-09	VE	3.6L V6 24v DOHC EFI	H7 190kw	Serp.	6PK2555
					Tensioner	38397
					Tensioner Pulley	36101
COMMODORE	2006-07	VE	6.0L V8 16v OHV EFI	LS2	Serp.	6PK1940
					AC	4PK1100
COMMODORE	2006-09	VE	6.0L V8 16v OHV EFI	L98	Serp.	6PK1940
					AC	4PK1100
CREWMAN	2003-07	VY	3.6L V6 24v DOHC EFI	3.8 Ecotec	Serp.	6PK2815
					Tensioner Pulley	36101
CREWMAN	2003-07	VY	5.7L V8 16v OHV EFI	GEN III	Serp.	6PK1995
					AC	4PK1100
CREWMAN	2004-07	VZ	3.6L V6 24v DOHC EFI	HB 175kw	Serp.	6PK2555
CREWMAN	2004-07	VZ	5.7L V8 16v OHV EFI	GEN III	Serp.	6PK1995
					AC	4PK1100
CRUZE	2002-06	YG	1.5L 4 Cyl. 16v DOHC SPFI	M15A	Serp.	4PK835
					AC	4PK810
DROVER	1985-87		1.3L 4 Cyl. 8v SOHC Carb.	G13A	Alt. & Fan	11A0840
EH	1963-65	EH	2.4L 6 Cyl. 12v OHV Carb.	149	Alt.	11A0925
EH	1963-65	EH	2.9L 6 Cyl. 12v OHV Carb.	179	Alt.	11A0925
FRONTERA	1995-99	UT	2.0L 4 Cyl. 8v SOHC EFI	C20JE	Serp. - w/ AC	6PK2045
					Serp. - w/o AC	6PK1715
FRONTERA	1998-03	MX	3.2L V6 24v DOHC MPFI	6VD1	Serp. - w/ AC	6PK2300
					Tensioner Pulley	38005
					Idler Pulley	38008
FRONTERA	1999-01	MX	2.2L 4 Cyl. 16v DOHC EFI	X22SE	Serp. - w/ AC	6PK2045
					Serp. - w/o AC	6PK1865
					Tensioner	38177
GEMINI	1975-77	TX	1.6L 4 Cyl. 8v SOHC Carb.	G161Z	Alt. & Fan	13A0870
					AC - Diesel Kiki Comp.	13A0940
					AC - Sankyo Comp.	11A0915
GEMINI	1977-78	TC	1.6L 4 Cyl. 8v SOHC Carb.	G161Z	Alt. & Fan	13A0870
					AC - Diesel Kiki Comp.	13A0940
					AC - Sankyo Comp.	11A0915
GEMINI	1978-79	TD	1.6L 4 Cyl. 8v SOHC Carb.	G161Z	Alt. & Fan	13A0870
					AC - Diesel Kiki Comp.	13A0940
					AC - Sankyo Comp.	11A0915
GEMINI	1979-82	TE	1.6L 4 Cyl. 8v SOHC Carb.	G161Z	Alt. & Fan	13A0870
					AC - Diesel Kiki Comp.	13A0940
					AC - Sankyo Comp.	11A0915

* = NZ Vehicles Only

Model	Year	Variant	Engine	Engine Code	Description	Part Number
HOLDEN CONTINUED						
GEMINI	1979-82	TE	1.8L 4 Cyl. 8v SOHC Diesel	4FB1	Alt. & Fan	13A1015
					AC	11A1395
GEMINI	1982-84	TF	1.6L 4 Cyl. 8v SOHC Carb.	G161Z	Alt.	13A0870
					AC	11A0915
					Air Pump	11A0785
GEMINI	1982-83	TF	1.8L 4 Cyl. 8v SOHC Diesel	4FB1	Alt. & Fan	13A1015
					AC	11A1395
GEMINI	1983-87	RB	1.5L 4 Cyl. 8v SOHC Carb.	4XC1	Alt.	4PK685
					AC - 760mm Belt	13A0760
					AC - 815mm Belt	13A0815
					PS	11A0915
GEMINI	1983-85	TG	1.6L 4 Cyl. 8v SOHC Carb.	G161Z	Alt.	13A0870
					AC	11A0915
					Air Pump	11A0785
GEMINI	1983-85	TG	1.8L 4 Cyl. 8v SOHC Diesel	4FB1	Alt. & Fan	13A1015
					AC	11A1395
HD	1965-66	HD	2.4L 6 Cyl. 12v OHV Carb.	149	Alt.	11A0890
					PS	11A0825
HD	1965-66	HD	2.9L 6 Cyl. 12v OHV Carb.	179	Alt.	11A0890
					PS	11A0825
HG	1970-71	HG	2.6L 6 Cyl. 12v OHV Carb.	161	Alt.	11A0890
					PS	11A1155
HG	1970-71	HG	3.0L 6 Cyl. 12v OHV Carb.	186	Alt.	11A0890
					PS	11A1155
HG	1970-71	HG	4.2L V8 16v OHV Carb.	253	Alt.	11A1155
					PS - w/ AC	11A1255
HG	1970-71	HG	5.0L V8 16v OHV Carb.	308	Alt.	11A1155
					PS - w/ AC	11A1255
HG	1970-71	HG	5.7L V8 16v OHV Carb.	350	Alt.	11A1130
					AC	11A1550
					PS	11A0915
HJ	1974-76	HJ	2.8L 6 Cyl. 12v OHV Carb.	173	Alt. & Fan - w/ Frigidaire Comp.	11A1060
					Alt. & Fan - w/ Sankyo Comp.	11A1030
					Alt. & Fan - w/o AC	11A0900
					AC - w/ Frigidaire Comp.	11A0925
					AC - w/ Sankyo Comp.	13A0890
					PS	11A1105
HJ	1974-76	HJ	3.3L 6 Cyl. 12v OHV Carb.	202	Alt. & Fan - w/ Frigidaire Comp.	11A1060
					Alt. & Fan - w/ Sankyo Comp.	11A1030
					Alt. & Fan - w/o AC	11A0900
					AC - w/ Frigidaire Comp.	11A0925
					AC - w/ Sankyo Comp.	13A0890
					PS	11A1105

Model	Year	Variant	Engine	Engine Code	Description	Part Number
HOLDEN CONTINUED						
HJ	1974-76	HJ	4.2L V8 16v OHV Carb.	253	Alt. & Fan - w/ Frigidaire Comp.	11A1145
					Alt. & Fan - w/ Sankyo Comp.	11A1155
					Alt. & Fan - w/o AC	11A1155
					AC - w/ Frigidaire Comp.	11A1395
					PS	11A1255
HJ	1974-76	HJ	5.0L V8 16v OHV Carb.	308	Alt. & Fan - w/o AC	11A1155
					Alt. & Fan - w/ Frigidaire Comp.	11A1145
					Alt. & Fan - w/ Sankyo Comp.	11A1155
					AC - w/ Frigidaire Comp.	11A1395
					PS	11A1255
HK	1968-69	HK	2.6L 6 Cyl. 12v OHV Carb.	161	Alt. & Fan - w/o AC	11A0890
					PS	11A1155
HK	1968-69	HK	3.0L 6 Cyl. 12v OHV Carb.	186	Alt. & Fan - w/o AC	11A0890
					PS	11A1155
HK	1968-69	HK	5.0L V8 16v OHV Carb.	307	Alt. & Fan - w/o AC	11A1395
					PS	11A0890
HQ	1971-74	HQ	2.8L 6 Cyl. 12v OHV Carb.	173	Alt. & Fan - w/ AC	11A1060
					Alt. & Fan - w/o AC	11A0900
					PS	11A1105
HQ	1971-74	HQ	3.0L 6 Cyl. 12v OHV Carb.	186	Alt. & Fan - w/ AC	11A1060
					Alt. & Fan - w/o AC	11A0900
					AC	11A0965
					PS	11A1105
HQ	1971-74	HQ	3.3L 6 Cyl. 12v OHV Carb.	202	Alt. & Fan - w/ AC	11A1060
					Alt. & Fan - w/o AC	11A0900
					AC	11A0965
					PS	11A1105
HQ	1971-74	HQ	4.2L V8 16v OHV Carb.	253	Alt. & Fan - w/ AC	11A1145
					Alt. & Fan - w/o AC	11A1155
					PS	11A1255
HQ	1971-74	HQ	5.0L V8 16v OHV Carb.	308	Alt. & Fan - w/ AC	11A1145
					Alt. & Fan - w/o AC	11A1155
					PS	11A1255
HQ	1971-74	HQ	5.7L V8 16v OHV Carb.	350	Alt. & Fan	11A1130
					PS	11A0915
HR	1966-68	HR	2.6L 6 Cyl. 12v OHV Carb.	161	Alt. & Fan	11A0890
					PS	11A0825
HR	1966-68	HR	3.0L 6 Cyl. 12v OHV Carb.	186	Alt. & Fan	11A0890
					PS	11A0825
HT	1969-70	HT	2.6L 6 Cyl. 12v OHV Carb.	161	Alt.	11A0890
					PS	11A1155
HT	1969-70	HT	3.0L 6 Cyl. 12v OHV Carb.	186	Alt.	11A0890
					PS	11A1155
HT	1969-70	HT	4.2L V8 16v OHV Carb.	253	Alt.	11A1155
					PS - w/ AC	11A1255

* = NZ Vehicles Only

Model	Year	Variant	Engine	Engine Code	Description	Part Number
HOLDEN CONTINUED						
HT	1969-70	HT	5.0L V8 16v OHV Carb.	308	Alt.	11A1155
					AC	11A1550
					PS	11A1255
HT	1969-70	HT	5.0L V8 16v OHV Carb.	307	Alt.	11A1395
					PS	11A0890
HT	1969-70	HT	5.7L V8 16v OHV Carb.	350	Alt.	11A1130
					PS	11A0915
HX	1976-77	HX	2.8L V8 16v OHV Carb.	173	Alt. & Fan - w/ Frigidaire Comp.	11A1060
					Alt. & Fan - w/ Sankyo Comp.	11A1030
					Alt. & Fan - w/o AC	11A0900
					PS	11A1105
HX	1976-77	HX	3.3L 6 Cyl. 12v OHV Carb.	202	Alt. & Fan - w/ Frigidaire Comp.	11A1060
					Alt. & Fan - w/ Sankyo Comp.	11A1030
					Alt. & Fan - w/o AC	11A0900
					AC - w/ Frigidaire Comp.	11A0925
					AC - w/ Sankyo Comp.	13A0890
					PS	11A1105
HX	1976-77	HX	4.2L V8 16v OHV Carb.	253	Alt. & Fan - w/ Frigidaire Comp.	11A1145
					Alt. & Fan - w/ Sankyo Comp.	11A1155
					Alt. & Fan - w/o AC	11A1155
					AC - w/ Frigidaire Comp.	11A1395
					PS	11A1255
HX	1976-77	HX	5.0L V8 16v OHV Carb.	308	Alt. & Fan - w/ Delco or Frigidaire Comp.	11A1145
					Alt. & Fan - w/ Sankyo Comp.	10A1150
					Alt. & Fan - w/o AC	11A1155
					AC - w/ Frigidaire Comp.	11A1395
					PS	11A1255
HZ	1977-80	HZ	3.3L 6 Cyl. 12v OHV Carb.	202	Alt. & Fan - w/ Frigidaire Comp.	11A1060
					Alt. & Fan - w/ Sankyo Comp.	11A1030
					Alt. & Fan - w/o AC	11A0900
					AC - w/ Frigidaire Comp.	11A0925
					AC - w/ Sankyo Comp.	13A0890
					PS	11A1105
HZ	1977-80	HZ	4.2L V8 16v OHV Carb.	253	Alt. & Fan - w/ Frigidaire Comp.	11A1145
					Alt. & Fan - w/ Sankyo Comp.	11A1155
					Alt. & Fan - w/o AC	11A1155
					AC - w/ Frigidaire Comp.	11A1395
					AC - Sankyo Comp.	13A1310
					PS	11A1255

Model	Year	Variant	Engine	Engine Code	Description	Part Number
HOLDEN CONTINUED						
HZ	1977-80	HZ	5.0L V8 16v OHV Carb.	308	Alt. & Fan - w/ Frigidaire Comp.	11A1145
					Alt. & Fan - w/ Sankyo Comp.	11A1155
					Alt. & Fan - w/o AC	11A1155
					AC - w/ Frigidaire Comp.	11A1395
					AC - Sankyo Comp.	13A1310
					PS	11A1255
JACKAROO	1981-87	UBS13	1.9L 4 Cyl. 8v SOHC Carb.	G200Z	Alt. & Fan	13A0890
					AC	11A0890
					PS	13A0760
JACKAROO	1981-85	UBS52	2.2L 4 Cyl. 8v OHV Diesel	C223	Alt.	13A1030
					AC	13A1395
					PS	13A1500
JACKAROO	1984-92	UBS16	2.3L 4 Cyl. 8v SOHC EFI	4ZD1	Alt. & Fan	13A0875
					Air Pump	11A0760
					PS	13A1015
JACKAROO	1984-87	UBS52	2.2L 4 Cyl. 8v OHV Turbo Diesel	C223T	Alt.	15A1030
					PS	13A1500
JACKAROO	1985-92	UBS16	2.2L 4 Cyl. 8v OHV Turbo Diesel	C223T	Alt.	15A1030
					PS	13A1500
JACKAROO	1987-92	UBS17	2.6L 4 Cyl. 8v SOHC EFI	4ZE1	Alt. & Fan	13A0890
					AC	13A1005
					Air Pump	11A0775
					PS	13A1015
JACKAROO	1988-92	UBS55	2.8L 4 Cyl. 8v OHV Turbo Diesel	4JB1T	Alt. & Fan	15A1015
					AC	13A1525
					PS	13A1450
JACKAROO	1991-98	UBS25	3.2L V6 24v DOHC MPFI	6VD1	Alt. & Fan	4PK960
					AC	4PK785
					PS	11A1030
					Tensioner Pulley	38005
					Idler Pulley	38008
JACKAROO	1991-98	UBS25	3.2L V6 24v SOHC EFI	6VD1	Alt. & Fan	4PK960
					AC	4PK785
					PS	11A1030
					Tensioner Pulley	38005
					Idler Pulley	38008
JACKAROO	1992-98	UBS69	3.1L 4 Cyl. 8v OHV Turbo Diesel	4JG2T	Alt. & Fan	15A1015
					AC	13A1525
					PS	13A1475
JACKAROO	1997-04	UBS26	3.5L V6 24v DOHC EFI	6VE1	Serp.	6PK2300
					Tensioner	38266
					Tensioner Pulley	38005
					Idler Pulley	38008
JACKAROO	1998-04	UBS73	3.0L 4 Cyl. 16v DOHC EFI Diesel	4JX1	Fan, Alt. Up to 8/99 - (2 belts)	11A0980
					Fan, Alt. - 9/99-On - (2 Belts)	11A1005
					AC	13A1250

* = NZ Vehicles Only

Model	Year	Variant	Engine	Engine Code	Description	Part Number
HOLDEN CONTINUED						
MONARO	2001-03	V2	3.8L V6 12v OHV Supercharged EFI	3.8 ECOTEC	Serp.	6PK2845
					Supercharger	6PK1755
MONARO	2001-07	V2	5.7L V8 16v OHV EFI	GEN III	Serp.	6PK1995
					AC	4PK1100
					Tensioner	38195
					Tensioner - AC	38196
					Idler Pulley	38041
MONARO	2002-05	VX	5.7L V8 16v OHV EFI	GEN III	Serp.	6PK1995
					AC	4PK1100
					Tensioner	38195
					Tensioner - AC	38196
					Idler Pulley	38041
MONARO	2002-06	VZ	5.7L V8 16v OHV EFI	GEN III	Serp.	6PK1995
					AC	4PK1100
					Tensioner	38195
					Tensioner - AC	38196
					Idler Pulley	38041
NOVA	1989-91	LE	1.4L 4 Cyl. 16v DOHC Carb.	6AFC	Alt. & WP	5PK965
					AC	4PK865
					PS	3PK635
NOVA	1989-94	LE	1.6L 4 Cyl. 16v DOHC Carb.	4AFC	Alt. & WP	5PK965
					AC	4PK865
					PS	3PK635
NOVA	1991-93	LF	1.4L 4 Cyl. 16v DOHC Carb.	6AFC	Alt. & WP	5PK965
					AC	4PK865
					PS	3PK635
NOVA	1991-94	LF	1.6L 4 Cyl. 16v DOHC Carb.	4AFC	Alt. & WP	5PK965
					AC	4PK865
					PS	3PK635
NOVA	1991-94	LF	1.6L 4 Cyl. 16v DOHC EFI	4AFE	Alt. & WP	5PK965
					AC	4PK865
					PS	3PK635
NOVA	1992-94	LF	1.8L 4 Cyl. 16v DOHC EFI	7AFE	Alt. & WP	5PK975
					AC	4PK855
					PS	3PK635
NOVA	1994-96	LG	1.6L 4 Cyl. 16v DOHC EFI	4AFE	Alt. & WP	5PK975
					AC	4PK865
					PS	3PK635
NOVA	1994-96	LG	1.8L 4 Cyl. 16v DOHC EFI	7AFE	Alt. & WP	5PK975
					AC	4PK855
					PS	3PK635
PIAZZA	1985-90		2.0L 4 Cyl. 8v SOHC Turbo EFI	4ZC1T	Alt. & Fan	13A0900
					AC	13A0955
					PS	13A0760
RODEO	1978-85	KB25	1.6L 4 Cyl. 8v SOHC Carb.	G161Z	Alt.	13A0870
					AC	11A1230
RODEO	1978-85	KB43	1.9L 4 Cyl. 8v SOHC Carb.	G200Z	Alt. & Fan	13A0890
					AC	11A0890
					Air Pump	11A0785
					PS	13A0760

Model	Year	Variant	Engine	Engine Code	Description	Part Number
HOLDEN CONTINUED						
RODEO	1979-85	KB27	1.8L 4 Cyl.	G180Z	Alt. & Fan	13A0865
					AC	11A1230
RODEO	1979-85	KB27	1.8L 4 Cyl.	G180Z	Alt. & Fan	13A0865
					AC	11A1230
RODEO	1981-87	KB21	1.6L 4 Cyl. 8v SOHC Carb.	G161Z	Alt.	13A0870
					AC	11A1230
RODEO	1981-86	KB28	1.9L 4 Cyl. 8v SOHC Carb.	G200Z	Alt. & Fan	13A0890
					AC	11A0890
					Air Pump	11A0785
					PS	13A0760
RODEO	1981-84	KB41	1.6L 4 Cyl. 8v SOHC Carb.	G161Z	Alt.	13A0870
					AC	11A1230
RODEO	1981-85	KBD26	2.0L 4 Cyl. 8v OHV Diesel	C190	Alt. & Fan	15A1030
					PS	13A1500
RODEO	1981-85	KBD27	2.2L 4 Cyl. Diesel	C223	Alt. & Fan	15A1040
					AC	11A1395
					PS	13A1500
RODEO	1981-85	KBD27	2.2L 4 Cyl. Diesel	C223	Alt. & Fan	15A1040
					AC	11A1395
					PS	13A1500
RODEO	1981-85	KBD27	2.2L 4 Cyl. Diesel	C223	Alt. & Fan	15A1040
					AC	11A1395
					PS	13A1500
RODEO	1982-85	KB26	1.6L 4 Cyl. 8v SOHC Carb.	G161Z	Alt.	13A0870
					AC	11A1230
RODEO	1984-85	KB21	1.9L 4 Cyl. 8v SOHC Carb.	G200Z	Alt. & Fan	13A0890
					AC	11A0890
					Air Pump	11A0785
					PS	13A0760
RODEO	1984-87	KB48	1.9L 4 Cyl. 8v SOHC Carb.	G200Z	Alt. & Fan	13A0890
					AC	11A0890
					Air Pump	11A0785
					PS	13A0760
RODEO	1985-88	KB29	2.3L 4 Cyl. 8v SOHC EFI	4ZD1	Alt. & Fan	13A0875
					PS	13A1015
RODEO	1985-88	KB29	2.3L 4 Cyl. 8v SOHC EFI	4ZD1	Alt. & Fan	13A0875
					PS	13A1015
RODEO	1987-88	KB44	2.3L 4 Cyl. 8v SOHC EFI	4ZD1	Alt. & Fan	13A0875
					PS	13A1015
RODEO	1988-93	G1	2.3L 4 Cyl. 8v SOHC EFI	4ZD1	Alt. & Fan	13A0875
					Air Pump	11A0760
					PS	13A1015
RODEO	1988-94	G1	2.5L 4 Cyl. 8v OHV Diesel	4JA1	Alt. & Fan	15A1030
					AC	13A1525
					PS	13A1450

* = NZ Vehicles Only

Model	Year	Variant	Engine	Engine Code	Description	Part Number
HOLDEN CONTINUED						
RODEO	1988-94	G1	2.5L 4 Cyl. 8v OHV Diesel	4JA1	Alt. & Fan	15A1030
					AC	13A1525
					PS	13A1450
RODEO	1988-98	TF	2.6L 4 Cyl. 8v SOHC EFI	4ZE1	Alt. & Fan	13A0890
					AC	13A1005
					Air Pump	11A0760
					PS	13A1015
					Idler Pulley	38037
RODEO	1990-93	G1	2.5L 4 Cyl. 8v OHV Turbo Diesel	4JB1T	Alt. & Fan	15A1030
					AC & PS	13A1525
					PS	13A1450
RODEO	1990-93	G1	2.5L 4 Cyl. 8v OHV Turbo Diesel	4JB1T	Alt. & Fan	15A1030
					AC & PS	13A1525
					PS	13A1450
RODEO	1991-93	TF	2.3L 4 Cyl. 8v SOHC EFI	4ZD1	Alt. & Fan	13A0875
					Air Pump	11A0760
					PS	13A1015
RODEO	1993-95	G3	2.5L 4 Cyl. 8v OHV Turbo Diesel	4JB1T	Alt. & Fan	15A1030
					AC & PS	13A1525
					PS	13A1450
RODEO	1993-95	G3	2.6L 4 Cyl. 8v SOHC EFI	4ZE1	Alt. & Fan	13A0890
					AC	13A1005
					Air Pump	11A0760
					PS	13A1015
RODEO	1995-97	G6	2.5L 4 Cyl. 8v OHV Turbo Diesel	4JB1T	Alt. & Fan	15A1030
					AC & PS	13A1525
					PS	13A1450
RODEO	1995-97	G6	2.6L 4 Cyl. 8v SOHC EFI	4ZE1	Alt. & Fan	13A0890
					AC	13A1005
					Air Pump	11A0760
					PS	13A1015
RODEO	1997-98	R7	2.5L 4 Cyl. 8v OHV Turbo Diesel	4JB1T	Alt. & Fan	15A1030
					AC & PS	13A1525
					PS	13A1450
RODEO	1997-98	R7	2.6L 4 Cyl. 8v SOHC EFI	4ZE1	Alt. & Fan	13A0890
					AC	13A1005
					Air Pump	11A0760
					PS	13A1015
RODEO	1997-04	R7	3.2L V6 24v DOHC MPFI	6VD1	Serp. - w/ AC	6PK2300
					Serp. - w/o AC	6PK2045
					Tensioner Pulley	38005
					Idler Pulley	38008
RODEO	1997-04	R7	3.2L V6 24v DOHC MPFI	6VD1	Serp. - w/ AC	6PK2300
					Serp. - w/o AC	6PK2045
					Tensioner Pulley	38005
					Idler Pulley	38008
RODEO	1998-03	R9	2.2L 4 Cyl. 8v SOHC EFI	C22NE	Alt.	11A1040
					AC	13A0915
					PS	13A0965

Model	Year	Variant	Engine	Engine Code	Description	Part Number
HOLDEN CONTINUED						
RODEO	1998-03	R9	2.5L 4 Cyl. 8v OHV Turbo Diesel	4JB1T	Alt. & Fan	15A1040
					AC & PS	13A1525
					PS	13A1450
RODEO	2000-07	RA	3.0L 4 Cyl. 8v SOHC Turbo Diesel	4JH1TC	Alt. & Fan	15A1030
					AC & PS	13A1560
					PS	13A1450
RODEO	2001-03	R9	3.0L 4 Cyl. 8v SOHC Turbo Diesel	4JH1TC	Alt. & Fan	15A1030
					AC & PS	13A1560
					PS	13A1450
RODEO	2002-06	RA	3.5L V6 24v DOHC EFI	6VE1	Serp.	6PK2300
					Idler	38027
RODEO	2003-07	RA	2.4L 4 Cyl. 8v SOHC EFI	C24SE	Alt.	11A1040
					AC	13A0915
					PS	13A0965
RODEO	2005-07	RA	3.6L V6 24v DOHC EFI	H9	Serp.	6PK1115
RODEO	2007-08	RA	3.0L 4 Cyl. 8v SOHC Turbo Diesel EFI	4JJ1	Alt.	7PK990
					AC	13A1370
SCURRY	1985-87		1.0L 4 Cyl. 8v SOHC Carb.	F10A	Alt. & WP	11A0760
SHUTTLE	1982-88		2.0L 4 Cyl. 8v SOHC EFI Diesel	4FC1	Alt. & Fan	13A1015
SHUTTLE	1985-90		1.8L 4 Cyl. 8v SOHC EFI	4ZB1	Alt. & Fan	13A0890
SHUTTLE	1988-89		2.0L 4 Cyl. 8v SOHC EFI	4ZC1	Alt.	13A0865
STATESMAN	1900-94		3.8L V6 12v OHV EFI	3.8	Serp. - w/ AC	6PK2370
					Serp. - w/o AC	6PK1650
					Tensioner	38265
					Tensioner Pulley	38012
					Idler Pulley	38005
STATESMAN	1971-74	HQ	5.0L V8 16v OHV Carb.	308	Alt. - w/ AC	11A1145
					Alt. - w/o AC	11A1155
					PS	11A1255
STATESMAN	1976-77	HX	5.0L V8 16v OHV Carb.	308	Alt. - w/ Sankyo Comp.	10A1150
					Alt. - w/ Frigidaire Comp.	11A1145
					AC - w/ Frigidaire Comp.	11A1395
					PS	11A1255
STATESMAN	1977-80	HZ	5.0L V8 16v OHV Carb.	308	Alt. - w/ Delco Comp.	11A1145
					Alt. - w/ Sankyo Comp.	10A1150
					AC - w/ Delco Comp.	11A1395
					AC - w/ Sankyo Comp.	13A1310
					PS	11A1255
STATESMAN	1980-85	WB	5.0L V8 16v OHV Carb.	308	Alt. - w/ Delco Comp.	11A1145
					Alt. - w/ Sankyo Comp.	10A1150
					AC - w/ Delco Comp.	11A1395
					AC - w/ Sankyo Comp.	13A1310
					PS	11A1255

* = NZ Vehicles Only

Model	Year	Variant	Engine	Engine Code	Description	Part Number
HOLDEN CONTINUED						
STATESMAN	1984-76	HJ	5.0L V8 16v OHV Carb.	308	Alt. - w/ Frigidaire Comp.	11A1145
					Alt. - w/o AC (or Sankyo Comp.)	11A1155
					AC - w/ Frigidaire Comp.	11A1395
					PS	11A1255
STATESMAN	1990-94	VQ	5.0L V8 16v OHV EFI	5.0	Alt. & Fan	11A1130
					Alt. & PS	11A1145
					AC	13A0850
STATESMAN	1994-95	VR	3.8L V6 12v OHV EFI	3.8	Serp. - w/ AC	6PK2370
					Serp. - w/o AC	6PK1650
					Tensioner	38265
					Tensioner Pulley	38012
					Idler Pulley	38005
STATESMAN	1994-95	VR	5.0L V8 16v OHV EFI	5.0	Alt. & Fan	11A1130
					AC	13A0850
					Alt. & PS	11A1145
STATESMAN	1995-99	VS	3.8L V6 12v OHV EFI	3.8 Ecotec	Serp. - w/ AC	6PK2720
					Tensioner	38210
					Tensioner Pulley	38006
					Idler Pulley - 1	36143
					Idler Pulley - 2	38019
STATESMAN	1995-99	VS	3.8L V6 12v OHV Supercharged EFI	3.8 Ecotec	Serp. - Supercharged - w/ AC	6PK2745
					Supercharger	6PK1755
					Tensioner	38210
					Tensioner Pulley	38006
					Tensioner Pulley - S/C	38006
					Idler Pulley - 1	36143
					Idler Pulley - 2	38019
					Idler Pulley - S/C	38009
STATESMAN	1995-99	VS	5.0L V8 16v OHV EFI	5.0	Alt. & PS	11A1145
					AC	13A0850
					PS	11A1245
STATESMAN	1999-03	WH	3.8L V6 12v OHV EFI	3.8 Ecotec	Serp.	6PK2815
					Tensioner	38210
					Tensioner Pulley	38006
					Idler	38005
					Idler	38009
STATESMAN	1999-03	WH	3.8L V6 12v OHV Supercharged EFI	3.8 Ecotec	Serp.	6PK2845
					Supercharger	6PK1755
					Tensioner	38210
					Tensioner Pulley S/C	38006
					Idler	38005
					Idler	38009
					Idler S/C	38009
STATESMAN	1999-03	WH	5.7L V8 16v OHV EFI	GEN III	Serp.	6PK1995
					AC	4PK1100
STATESMAN	2003-04	WK	3.8L V6 12v OHV EFI	3.8 Ecotec	Serp.	6PK2815

Model	Year	Variant	Engine	Engine Code	Description	Part Number
HOLDEN CONTINUED						
STATESMAN	2003-04	WK	3.8L V6 12v OHV Supercharged EFI	3.8 Ecotec	Serp.	6PK2845
					Supercharger	6PK1755
STATESMAN	2003-04	WK	5.7L V8 16v OHV EFI	GEN III	Serp.	6PK1995
					AC	4PK1100
STATESMAN	2004-07	WL	3.6L V6 24v DOHC EFI	H7 190kw	Serp.	6PK2555
					Tensioner	38397
					Tensioner Pulley	36101
STATESMAN	2004-06	WL	5.7L V8 16v OHV EFI	GEN III	Serp.	6PK1995
					AC	4PK1100
STATESMAN	2006-07	WL	6.0L V8 16v OHV EFI	L76	Serp.	6PK1940
					AC	4PK1100
STATESMAN	2005-07	WM	3.6L V6 24v DOHC EFI	Alloytech 195kw	Serp.	6PK2555
					Tensioner	38397
					Tensioner Pulley	36101
STATESMAN	2006-07	WL	6.0L V8 16v OHV EFI	L76	Serp.	6PK1940
					AC	4PK1100
SUBURBAN	1997-99	K8	6.5L V8 16v OHV EFI Diesel	FCWG	Serp. - w/ Dual Alt.	6PK2845
					Serp. - w/ 100a, 105a Alt.	6PK2565
					Serp. - w/ 124a Alt.	6PK2590
					Tensioner	38118
					Tensioner Pulley	38006
					Idler Pulley - dual Alt.	38020
SUBURBAN	1998-00	K8	5.7L V8 16v OHV EFI	RCWG	Serp. - w/ AC - w/ 100a, 105a Alt.	6PK2440
					Serp. - w/ AC - w/ 140a Alt.	6PK2460
					Serp. Serp. - w/o AC - w/ 100a, 105a Alt.	6PK2210
					Serp. Serp. - w/o AC - w/ 140a Alt.	6PK2225
					Tensioner	38103
					Tensioner Pulley	38008
					Idler Pulley - w/ AC	36143
					Idler Pulley - w/o AC	38008
SUNBIRD	1976-78	LX	1.9L 4 Cyl.	1.9 Opel	Alt.	11A0900
					AC	13A0925
SUNBIRD	1978-80	UC	1.9L 4 Cyl.	1.9 Opel	Alt.	11A0900
					AC	13A0925
SUNBIRD	1978-80	UC	1.9L 4 Cyl.	1X Starfire	Alt. - w/ AC	11A0990
					Alt. - w/o AC	11A0890
					AC	13A1040
TIGRA	2005-07	XC	1.8L 4 Cyl 16v DOHC EFI	Z18XE	Serp.	5PK1210
					Tensioner Pulley	38032
TORANA	1969-72	LC	2.3L 6 Cyl. 12v OHV Carb.	138	Alt. & Fan - w/ Frigidaire Comp.	11A0900
					Alt. & Fan - w/ Sankyo Comp.	11A1030
					Alt. & Fan - w/o AC	11A0900
					AC - w/ Frigidaire Comp.	11A0925
					AC - w/ Sankyo Comp.	13A0890

* = NZ Vehicles Only

Model	Year	Variant	Engine	Engine Code	Description	Part Number
HOLDEN CONTINUED						
TORANA	1969-72	LC	2.6L 6 Cyl. 12v OHV Carb.	161	Alt. & Fan - w/ Frigidaire Comp.	11A0900
					Alt. & Fan - w/ Sankyo Comp.	11A1030
					AC - w/ Frigidaire Comp.	11A0925
					Alt. & Fan - w/o AC	11A0900
					AC - w/ Sankyo Comp.	13A0890
TORANA	1969-72	LC	2.8L 6 Cyl. 12v OHV Carb.	173	Alt. & Fan - w/ Frigidaire Comp.	11A0900
					Alt. & Fan - w/ Sankyo Comp.	11A1030
					Alt. & Fan - w/o AC	11A0900
					AC - w/ Frigidaire Comp.	11A0925
					AC - w/ Sankyo Comp.	13A0890
TORANA	1971-72	LC	1.2L 4 Cyl. 8v OHV Carb.	1159	Alt. & Fan	11A0950
TORANA	1972-74	LJ	1.3L 4 Cyl. 8v OHV Carb.	1256	Alt. & Fan	11A0950
TORANA	1972-74	LJ	1.6L 4 Cyl. 8v OHV Carb.	1599	Alt. & Fan	11A0900
TORANA	1972-74	LJ	2.3L 6 Cyl. 12v OHV Carb.	138	Alt. & Fan - w/ Frigidaire Comp.	11A0900
					Alt. & Fan - w/ Sankyo Comp.	11A1030
					Alt. & Fan - w/o AC	11A0900
					AC - w/ Frigidaire Comp.	11A0925
					AC - w/ Sankyo Comp.	13A0890
TORANA	1972-74	LJ	2.8L 6 Cyl. 12v OHV Carb.	173	Alt. & Fan - w/ Frigidaire Comp.	11A0900
					Alt. & Fan - w/ Sankyo Comp.	11A1030
					Alt. & Fan - w/o AC	11A0900
					AC - w/ Frigidaire Comp.	11A0925
					AC - w/ Sankyo Comp.	13A0890
TORANA	1972-74	LJ	3.3L 6 Cyl. 12v OHV Carb.	202	Alt. & Fan - w/ Frigidaire Comp.	11A0900
					Alt. & Fan - w/ Sankyo Comp.	11A1030
					Alt. & Fan - w/o AC	11A0900
					AC - w/ Frigidaire Comp.	11A0925
TORANA	1974-76	LH	1.9L 4 Cyl. 8v OHV Carb.	1.9 Opel	Alt. & Fan - w/ Man. Trans.	11A0900
					Alt. & Fan - w/ Auto Trans.	11A0950
TORANA	1974-76	LH	2.8L 6 Cyl. 12v OHV Carb.	173	Alt. - w/ AC	11A1060
					Alt. & Fan - w/o AC	11A0900
					AC - w/ Sankyo Comp.	13A0890
					AC - w/ Frigidaire Comp.	11A0925

Model	Year	Variant	Engine	Engine Code	Description	Part Number
HOLDEN CONTINUED						
TORANA	1974-76	LH	3.3L 6 Cyl. 12v OHV Carb.	202	Alt. & Fan - w/ Frigidaire Comp.	11A0900
					Alt. - w/ AC	11A1060
					Alt. & Fan - w/o AC	11A0900
					AC - w/ Frigidaire Comp.	11A0925
					AC - w/ Sankyo Comp.	13A0890
TORANA	1974-76	LH	4.2L V8 16v OHV Carb.	253	Alt. & Fan	11A1090
					AC - w/ Frigidaire Comp.	11A1395
					AC - w/ Sankyo Comp.	13A0890
TORANA	1974-76	LH	5.0L V8 16v OHV Carb.	308	Alt. - w/ AC	11A1090
					Alt. - w/o AC	11A1105
					AC - w/ Frigidaire Comp.	11A1395
					AC - w/ Sankyo Comp.	13A0890
TORANA	1974-75	TA	1.3L 4 Cyl. 8v OHV Carb.	1256	Alt. & Fan	11A0950
TORANA	1976-78	LX	1.9L 4 Cyl. 8v OHV Carb.	1.9 Opel	Alt. & Fan - w/ Man. Trans.	11A0900
					Alt. & Fan - w/ Auto Trans.	11A0950
					AC (w/ Air Int. Sys.)	13A0925
TORANA	1976-78	LX	2.8L 6 Cyl. 12v OHV Carb.	173	Alt. & Fan - w/ Frigidaire Comp.	11A0900
					Alt. & Fan - w/ Sankyo Comp.	11A1030
					Alt. & Fan - w/o AC	11A0900
					Alt. - w/ AC	11A1060
					AC	13A0920
TORANA	1976-78	LX	3.3L 6 Cyl. 12v OHV Carb.	202	Alt. & Fan - w/ Frigidaire Comp. (UC)	11A1060
					Alt. & Fan - w/ Sankyo Comp.	11A1030
					Alt. & Fan - w/o AC	11A0900
					AC	11A0925
TORANA	1976-78	LX	4.2L V8 16v OHV Carb.	253	Alt. - w/ AC	11A1060
					Alt. & Fan - w/o AC	11A1090
TORANA	1976-78	LX	5.0L V8 16v OHV Carb.	308	Alt. - w/ AC	11A1090
TORANA	1978-80	UC	2.8L 6 Cyl. 12v OHV Carb.	173	Alt. & Fan - w/ Frigidaire Comp.	11A1060
					Alt. & Fan - w/ Sankyo Comp.	11A1030
					Alt. & Fan - w/o AC	11A0900
					AC - w/ Sankyo Comp.	13A0890
TORANA	1978-81	UC	3.3L 6 Cyl. 12v OHV Carb.	202	Alt. & Fan - w/ Frigidaire Comp.	11A1030
					Alt. & Fan - w/ Sankyo Comp.	11A1060
					Alt. & Fan - w/o AC	11A0900
					AC - w/ Sankyo Comp.	13A0890
VECTRA	1991-93		1.8L 4 Cyl. 16v DOHC EFI	X18XE	Alt.	11A0915
					AC	11A0785
					PS	11A0685

* = NZ Vehicles Only

Model	Year	Variant	Engine	Engine Code	Description	Part Number
HOLDEN CONTINUED						
VECTRA	1997-98	JR	2.0L 4 Cyl. 16v DOHC EFI	C20SEL	Serp. - w/ AC	6PK1905
					Serp. - w/o AC	6PK1740
					Tensioner	38200
					Tensioner Pulley	36101
					Idler Pulley	36152
VECTRA	1997-99	JR	2.5L V6 24v DOHC EFI	X25XE	Serp. - w/ AC	6PK2030
					Serp. - w/o AC	6PK1905
VECTRA	1997-02	JS	2.0L 4 Cyl. 16v DOHC EFI	C20SEL	Serp. - w/ AC	6PK1905
					Serp. - w/o AC	6PK1740
					Tensioner	38200
					Tensioner Pulley	36101
					Idler Pulley	36152
VECTRA	1997-03	JS	2.2L 4 Cyl. 16v DOHC EFI	C22SE	Serp. - w/ AC	6PK1900
					Serp. - w/o AC	6PK1730
					Tensioner	38154
					Tension Pulley	36101
					Idler Pulley	36152
VECTRA	1997-01	JS	2.5L V6 24v DOHC EFI	X25XE	Serp. - w/ AC	6PK2030
					Serp. - w/o AC	6PK1905
VECTRA	1997-00		2.0L 4 Cyl. 16v DOHC EFI	X20XEV	Serp. - w/o AC	6PK1730
					Serp. - w/ AC	6PK1900
VECTRA	2000-03	JS	2.6L V6 24v DOHC EFI	Y26SE	Serp.	6PK2030
VECTRA	2002-06	ZC	3.2L V6 24v DOHC EFI	Z32SE	Serp.	6PK1995
					Idler	36212
VECTRA	2003-06	ZC	2.2L 4 Cyl. 16v DOHC EFI	Z22SE	Serp.	6PK1900
					Tensioner	38177
					Tensioner Pulley	36101
					Idler Pulley	36152
VIVA	2005-09	JF	1.8L 4 Cyl. 16v DOHC EFI	F18D3	Alt.	6PK1875
WB	1980-84	WB	3.3L 6 Cyl. 12v OHV Carb.	202	Alt. & Fan - w/ Delco Comp.	11A1060
					Alt. & Fan - w/ Sankyo Comp.	11A1030
					Alt. & Fan - w/o AC	11A0900
					AC - w/ Delco Comp.	11A0925
					AC - w/ Sankyo Comp.	13A0890
					PS	11A1105
WB	1980-84	WB	4.2L V8 16v OHV Carb.	253	Alt. & Fan - w/ Delco Comp.	11A1145
					Alt. & Fan - w/ Sankyo Comp.	11A1155
					Alt. & Fan - w/o AC	11A1155
					AC - w/ Delco Comp.	11A1395
					AC - Sankyo Comp.	13A1310
					PS	11A1255

Model	Year	Variant	Engine	Engine Code	Description	Part Number
HOLDEN CONTINUED						
WB	1980-84	WB	5.0L V8 16v OHV Carb.	308	Alt. & Fan - w/ Delco Comp.	11A1145
					Alt. & Fan - w/ Sankyo Comp.	11A1155
					Alt. & Fan - w/o AC	11A1155
					AC - Delco or Frigidaire Comp.	11A1395
					AC - Sankyo Comp.	13A1310
					PS	11A1255
ZAFRIA	2001-05	TT	2.2L 4 Cyl. 16v DOHC EFI	Z22SE	Serp.	5PK1030
					Tensioner	38177
HSV						
ASTRA	1987-89	LD	1.8L 4 Cyl. 8v SOHC EFI	18LE	Alt.	11A0840
					AC	13A0940
					PS	11A0900
AVALANCHE	2004-05	VY	5.7L V8 16v OHV EFI	GEN III	Serp.	6PK1995
					AC	4PK1100
AVALANCHE	2005-07	VZ	5.7L V8 16v OHV EFI	GEN III	Serp.	6PK1995
					AC	4PK1100
CALAIS	1988-89	VL	5.0L V8 16v OHV Carb.	304	Alt.	11A1145
					AC	11A1310
					PS	11A1040
CAPRICE	1994-95	VR	5.7L V8 16v OHV EFI	215	Alt.	11A1130
					AC	13A0850
CAPRICE	1995-99	VS	5.7L V8 16v OHV EFI	215	Alt. & Fan - w/ PS	11A1130
					AC	13A0850
CLUBSPORT	1988-89	VL	5.0L V8 16v OHV EFI	5.0	Alt.	11A1145
					AC	11A1310
					PS	11A1040
CLUBSPORT	1988-91	VN	3.8L V6 12v OHV EFI	3.8	Serp. - w/ AC	6PK2370
					Serp. - w/o AC	6PK1650
CLUBSPORT	1989-91	VN	5.0L V8 16v OHV EFI	5.0	Alt. & PS	11A1145
					AC	13A0850
					PS	11A1245
CLUBSPORT	1991-93	VP	3.8L V6 12v OHV EFI	3.8	Serp. - w/ AC	6PK2370
					Serp. - w/o AC	6PK1650
CLUBSPORT	1991-93	VP	5.0L V8 16v OHV EFI	5.0	Alt. & PS	11A1145
					AC	13A0850
					PS	11A1245
CLUBSPORT	1993-95	VR	5.0L V8 16v OHV EFI	5.0	Alt. & PS	11A1145
					AC	13A0850
					PS	11A1245
CLUBSPORT	1995-97	VS	5.0L V8 16v OHV EFI	5.0	Alt. & PS	11A1145
					AC	13A0850
					PS	11A1245
CLUBSPORT	1997-00	VT	5.0L V8 16v OHV EFI	5.0	Alt.	4PK1195
					AC	4PK925
					PS	11A1105
CLUBSPORT	1998-00	VT	3.8L V6 12v OHV EFI	3.8 Ecotec	Serp. - w/ AC	6PK2815
					Serp. - w/o AC	6PK2225

* = NZ Vehicles Only

Model	Year	Variant	Engine	Engine Code	Description	Part Number
HSV CONTINUED						
CLUBSPORT	1998-00	VT	3.8L V6 12v OHV EFI Supercharged	3.8 Ecotec	Serp.	6PK2845
					Supercharger	6PK1755
CLUBSPORT	1999-00	VT	5.7L V8 16v OHV EFI	GEN III	Serp.	6PK1995
					Alt.	4PK1100
CLUBSPORT	2000-02	VX	3.8L V6 12v OHV EFI	3.8 Ecotec	Serp. - w/ AC	6PK2815
					Serp. - w/o AC	6PK2225
CLUBSPORT	2000-02	VX	3.8L V6 12v OHV EFI Supercharged	3.8 Ecotec	Serp.	6PK2845
					Supercharger	6PK1755
CLUBSPORT	2000-02	VX	5.7L V8 16v OHV EFI	GEN III	Serp.	6PK1995
					Alt.	4PK1100
CLUBSPORT	2002-04	VY	5.7L V8 16v OHV EFI	GEN III	Serp.	6PK1995
					Alt.	4PK1100
CLUBSPORT	2004-06	VZ	6.0L V8 16c OHV EFI	LS2	Serp.	6PK1940
					Alt.	4PK1100
CLUBSPORT	2006-07	VE	6.0L V8 16c OHV EFI	LS2	AC	4PK1100
					Alt.	6PK1930
COMMODORE	1989-91	VN	5.0L V8 16v OHV EFI	5.0	Alt. & PS	11A1130
					AC	13A0840
COMMODORE	1995-97	VS	5.0L V8 16v OHV EFI	5.0	Alt.	11A1145
					AC	13A0850
					PS (Single Track Pulley)	11A1145
					PS (Dual Track Pulley)	11A1245
COMMODORE	1997-99	VT	5.0L V8 16v OHV EFI	5.0	Alt.	4PK1195
					AC	4PK925
					PS	11A1105
COMMODORE	2001-02	VX II	5.7L V8 16v OHV EFI	C4B	Serp.	6PK1995
					AC	4PK1100
COUPE 4	2003-05	V2	5.7L V8 16v OHV EFI	LS1	Serp.	6PK1995
					AC	4PK1100
COUPE GTO	2001-03	V2	5.7L V8 16v OHV EFI	GEN III	Serp.	6PK1995
					AC	4PK1100
COUPE GTS	2001-04	V2	5.7L V8 16v OHV EFI	GEN III	Serp.	6PK1995
					AC	4PK1100
GRANGE	1999-00	WH	3.8L V6 12v OHV EFI	3.8 Ecotec	Serp.	6PK2815
GRANGE	1999-00	WH	3.8L V6 12v OHV EFI Supercharged	3.8 Ecotec	Serp.	6PK2845
					Supercharged	6PK1755
GRANGE	1999-03	WH	5.7L V8 16v OHV EFI	GEN III	AC	4PK1100
					Serp.	6PK1995
GTS	1994-95	VR	5.7L V8 16v OHV EFI	215	Alt. & Fan - w/ PS	11A1130
					AC	13A0850
					PS	11A1245
GTS	1995-97	VS	5.7L V8 16v OHV EFI	215	Alt. & Fan - w/ PS	11A1130
					AC	13A0850
					PS	11A1245
GTS	2000	VT	5.7L V8 16v OHV EFI	GEN III	Serp.	6PK1995
					AC	4PK1100
GTS	2002-04	VY	5.7L V8 16v OHV EFI	GEN III	Serp.	6PK1995
					AC	4PK1100

Model	Year	Variant	Engine	Engine Code	Description	Part Number
HSV CONTINUED						
GTS	2006-08	VE	6.0L V8 16c OHV EFI	LS2	Serp.	6PK1930
					AC	4PK1100
LS	1991-94	VP	3.8L V6 12v OHV EFI	3.8	Serp. - w/ AC	6PK2370
					Serp. - w/o AC	6PK1650
LS	1991-94	VP	5.0L V8 16v OHV EFI	5.0	Alt. & PS	11A1145
					AC	13A0850
					PS	11A1245
MALOO	1990-93	VG	5.0L V8 16v OHV EFI	5.0	Alt. & PS	11A1145
					AC	13A0850
					PS	11A1245
MALOO	1994-95	VR	5.0L V8 16v OHV EFI	5.0	Alt. & PS	11A1145
					AC	13A0850
					PS	11A1245
MALOO	1995-00	VS	5.0L V8 16v OHV EFI	5.0	Alt. & PS	11A1145
					AC	13A0850
					PS	11A1245
MALOO	2001-02	VU	5.7L V8 16v OHV EFI	GEN III	Serp.	6PK1995
					AC	4PK1100
MALOO	2002-04	VY	5.7L V8 16v OHV EFI	GEN III	Serp.	6PK1995
					AC	4PK1100
SENATOR	1994-95	VR	5.7L V8 16v OHV EFI	215	Alt. & PS	11A1145
					AC	13A0850
					PS	11A1245
SENATOR	1995-97	VS	5.7L V8 16v OHV EFI	215	Alt. & PS	11A1145
					AC	13A0850
					PS	11A1245
SENATOR	2002-04	VY	5.7L V8 16v OHV EFI	GEN III	Serp.	6PK1995
					AC	4PK1100
SENATOR	2006-08	VE	6.0L V8 16c OHV EFI	LS2	Serp.	6PK1930
					AC	4PK1100
STATESMAN	1991-93	VQ	5.0L V8 16v OHV EFI	5.0	Alt. & PS	11A1145
					AC	13A0850
					PS	11A1245
STATESMAN	1994-95	VR	5.0L V8 16v OHV EFI	5.0	Alt. & PS	11A1145
					AC	13A0850
					PS	11A1245
STATESMAN	1994-95	VR	5.7L V8 16v OHV EFI	215	Alt. & PS	11A1145
					AC	13A0850
					PS	11A1245
STATESMAN	1994-95	VR	5.0L V8 16v OHV EFI	5.0	Alt. & PS	11A1145
					AC	13A0850
					PS	11A1245
STATESMAN	1994-95	VR	5.7L V8 16v OHV EFI	215	Alt. & PS	11A1145
					AC	13A0850
					PS	11A1245
STATESMAN GRANGE	1996-99	VS	5.0L V8 16v OHV EFI	5.0	Alt. & PS	11A1145
					AC	13A0850
					PS	11A1245

* = NZ Vehicles Only

Model	Year	Variant	Engine	Engine Code	Description	Part Number
HSV CONTINUED						
STATESMAN GRANGE	1996-99	VS	5.7L V8 16v OHV EFI	215	Alt. & PS	11A1145
					AC	13A0850
					PS	11A1245
STATESMAN SV90	1990-91	VQ	5.0L V8 16v OHV EFI	5.0	Alt. & PS	11A1145
					AC	13A0850
					PS	11A1245
SV6000	2005-06	VZ	6.0L V8 16c OHV EFI	LS2	Serp.	6PK1940
					PS	4PK1100
HONDA						
ACCORD	1977-80	SJ	1.6L 4 Cyl 8v SOHC Carb.	EG	Alt. - w/ AC	11A1075
					Alt. - w/o AC	11A0980
					AC	13A0815
					PS	11A0700
ACCORD	1979-84	SV	1.6L 4 Cyl 8v SOHC Carb.	EL	Alt. & WP - w/ AC	11A1055
					Alt. & WP - w/o AC	11A0965
					AC	13A0815
					PS	11A0940
ACCORD	1981-83	SY	1.6L 4 Cyl 8v SOHC Carb.	EL	Alt. & WP - w/ AC	11A1055
					Alt. & WP - w/o AC	11A0965
					AC	13A0815
					PS	11A0940
ACCORD	1981-83	SZ	1.6L 4 Cyl. 8v SOHC Carb.	EK	Alt. & WP	3PK975
					AC	13A1205
					PS	11A0940
ACCORD	1983-86	AD	1.8L 4 Cyl. 12v SOHC Carb.	ET	Alt. & WP - 4 Rib Belt	4PK940
					Alt. & WP - 5 Rib Belt	5PK940
					AC	13A0925
					PS	11A1060
ACCORD	1984-86	AC	1.8L 4 Cyl. 12v SOHC Carb.	ET	Alt. & WP - 4 Rib Belt	4PK940
					Alt. & WP - 5 Rib Belt	5PK940
					AC	13A0925
					PS	11A1060
ACCORD	1984-86	AD1	1.8L 4 Cyl. 12v SOHC Carb.	ES	Alt. & WP - 4 Rib Belt	4PK950
					Alt. & WP - 5 Rib Belt	5PK940
					AC	13A0925
					PS	11A0900
ACCORD	1985-90	CA1	1.8L 4 Cyl. 12v SOHC EFI	A18A	Alt. & WP	5PK925
					AC	4PK915
					PS	11A0900
ACCORD	1985-90	CA5	2.0L 4 Cyl. 12v SOHC EFI	A20A	Alt.	5PK925
					AC	4PK915
					PS	11A0900
ACCORD	1986-91	CA6	2.0L 4 Cyl. 12v SOHC EFI	A20A	Alt.	5PK925
					AC	4PK915
					PS	11A0900

Model	Year	Variant	Engine	Engine Code	Description	Part Number
HONDA CONTINUED						
ACCORD	1992-98	CD5	2.2L 4 Cyl. 16v SOHC EFI	F22B	Alt. - w/o AC	6PK940
					AC	6PK1115
					PS	4PK1065
ACCORD	1993-98	CE1	2.2L 4 Cyl. 16v SOHC EFI	F22B	Alt. - w/o AC	6PK940
					AC	6PK1115
					PS	4PK1065
ACCORD	1994-96	CD7	2.2L 4 Cyl. 16v SOHC EFI	F22B	Alt. - w/o AC	6PK940
					AC	6PK1115
					PS	4PK1065
ACCORD	1997-99	CG5	2.3L 4 Cyl. 8v SOHC EFI	F23A	Alt. & AC	6PK1115
					PS	4PK1065
ACCORD	1998-03	CK1	3.0L V6 24v SOHC EFI	J30A	Alt.	6PK1180
					PS	4PK1115
ACCORD	1998-03	CK2	2.3L 4 Cyl. 16v SOHC EFI	F23A	Alt. & AC	6PK1115
					PS	4PK1065
ACCORD	2003-07	CL9	2.4L 4 Cyl. 16v DOHC EFI	K24A	Serp.	7PK1760
					Tensioner	38278
					Idler	38028
ACCORD	2003-07	CL9	2.4L 4 Cyl. 16v DOHC EFI	K24A	Serp.	7PK1760
					Tensioner	38278
					Idler	38028
ACCORD	2003-07	CM6	3.0L V6 24v SOHC EFI	J30A	Alt.	6PK1180
					PS	4PK1115
ACCORD	2003-07	CL9	2.4L 4 Cyl. 16v DOHC EFI	K24A	Serp.	7PK1760
					Tensioner	38278
					Idler	38028
BALLADE	1983-85	AE	* 1.3L 4 Cyl. 12v SOHC Carb.	EV	Alt.	3PK710
					AC	13A0850
					PS	11A0890
BALLADE	1985-87	AJ	1.3L 4 Cyl. 12v SOHC Carb.	EV	Alt.	3PK710
					AC	13A0850
					PS	11A0890
CITY	1981-87	AA	* 1.2L 4 Cyl. 8v SOHC Carb.	ER	Alt. & WP	3PK945
CITY	1981-86	VF	1.2L 4 Cyl. 8v SOHC Carb.	ER	Alt. & WP	3PK945
CITY	1984-89	FA	1.2L 4 Cyl. 8v SOHC Carb.	ER	Alt. & WP	3PK945
CITY	1984-89	FA	* 1.2L 4 Cyl. 8v SOHC Carb.	ER	Alt. & WP	3PK945
CITY	1984-89	FA	* 1.2L 4 Cyl. 8v SOHC Carb.	ER	Alt. & WP	3PK945
CITY	1984-89	FA	* 1.2L 4 Cyl. 8v SOHC Carb.	ER	Alt. & WP	3PK945
CITY	1985-89	FC	* 1.2L 4 Cyl. 8v SOHC Carb.	ER	Alt. & WP	3PK945
CITY	1986-89	GA1 100	1.2L 4 Cyl. 16v SOHC Carb.	D12A	Alt. - w/ AC	3PK945
					Alt. - w/o AC	3PK680
					AC	13A0825
					PS	11A0900
CITY	1987-89	FF	* 1.2L 4 Cyl. 8v SOHC Carb.	ER	Alt. & WP	3PK945
CITY	1988-89	GA1 110	1.2L 4 Cyl. 16v SOHC Carb.	D12A	Alt. - w/ AC	3PK945
					Alt. - w/o AC	3PK710
					Alt. & WP	11A0965
					AC	13A0825
					PS	11A0890

* = NZ Vehicles Only

Model	Year	Variant	Engine	Engine Code	Description	Part Number
HONDA CONTINUED						
CIVIC	1974-78	AH	1.3L 4 Cyl. 8v SOHC Carb.	EJ	Alt. & WP	11A0980
					AC	13A1150
CIVIC	1976-79	AN	1.3L 4 Cyl. 8v SOHC Carb.	EN	Alt. & WP	11A0965
CIVIC	1979-82	AW	1.3L 4 Cyl. 8v SOHC Carb.	EJ	Alt. & WP	11A0980
					AC	13A1150
CIVIC	1979-83	AW	1.3L 4 Cyl. 8v SOHC Carb.	EN	Alt. & WP	11A0990
					AC	13A1150
CIVIC	1979-83	AW	1.3L 4 Cyl. 8v SOHC Carb.	EN	Alt. & WP	11A0990
					AC	13A1150
CIVIC	1979-84		1.2L 4 Cyl. 8v SOHC Carb.	EB3	Alt. & WP	11A0965
CIVIC	1983-88	AK	1.5L 4 Cyl. 12v SOHC Carb.	EW	Alt. & WP	3PK735
					AC	13A0850
CIVIC	1984-88	AH	1.5L 4 Cyl. 12v SOHC Carb.	EW	Alt. & WP	3PK735
					AC	13A0850
CIVIC	1984-87	AT	1.6L 4 Cyl. 16v DOHC EFI	ZC	Alt. & WP	3PK710
					AC	13A0900
					PS	11A0900
CIVIC	1984-89	CA0	1.5L 4 Cyl. 12v SOHC Carb.	EW	Alt. & WP	3PK735
					AC	13A0850
CIVIC	1984-85	PC	1.5L 4 Cyl. 12v SOHC Carb.	EW	Alt. & WP	3PK735
					AC	13A0850
CIVIC	1984-85	PC	1.5L 4 Cyl. 12v SOHC Carb.	EW	Alt. & WP	3PK735
					AC	13A0850
CIVIC	1984-89	CA0	1.5L 4 Cyl. 12v SOHC Carb.	EW	Alt. & WP	3PK735
					AC	13A0850
CIVIC	1986-89	PR	1.5L 4 Cyl. 12v SOHC Carb.	EW	Alt. & WP	3PK735
					AC	13A0850
CIVIC	1987-91	EF3	1.6L 4 Cyl. 16v DOHC EFI	ZC	Alt.	3PK760
					AC	4PK865
					PS	11A0800
CIVIC	1987-85	EF5	1.6L 4 Cyl. 16v DOHC EFI	ZC	Alt.	3PK760
					AC	4PK865
					PS	11A0800
CIVIC	1987-89	EG4	1.5L 4 Cyl. 16v SOHC EFI	D15B	Alt.	4PK775
					PS	4PK815
					Idler Pulley - AC	38030
CIVIC	1987-88	PP	1.5L 4 Cyl. 12v SOHC Carb.	EW	Alt. & WP	3PK735
					AC	13A0850
CIVIC	1987-89	PX	1.5L 4 Cyl. 12v SOHC Carb.	EW	Alt. & WP	3PK735
					AC	13A0850
CIVIC	1987-89	PX	1.5L 4 Cyl. 12v SOHC Carb.	EW	Alt. & WP	3PK735
					AC	13A0850
CIVIC	1988-89	EE3	1.5L 4 Cyl. 16v SOHC Carb.	D15B4	Alt.	4PK760
					AC	4PK875
					PS	11A0785
CIVIC	1989-92	EC	1.3L 4 Cyl. 16v SOHC EFI	D13B	Idler Pulley - AC	38030
CIVIC	1989-93	ED3	1.5L 4 Cyl. 16v SOHC Carb.	D15B4	Alt.	4PK760
					AC	4PK875
					PS	11A0785

Model	Year	Variant	Engine	Engine Code	Description	Part Number
HONDA CONTINUED						
CIVIC	1989-93	ED3	1.5L 4 Cyl. 16v SOHC Carb.	D15B4	Alt.	4PK760
					AC	4PK875
					PS	11A0785
CIVIC	1990-92	ED	1.3L 4 Cyl. 16v SOHC EFI	D13B	Idler Pulley - AC	38030
CIVIC	1991-94	EG	1.3L 4 Cyl. 16v SOHC EFI	D13B	Idler Pulley - AC	38030
CIVIC	1991-93	EG3	1.3L 4 Cyl. 16v SOHC Carb.	D13A	Alt. & WP	4PK750
					AC	4PK800
					PS	4PK815
CIVIC	1991-96	EG4	1.5L 4 Cyl. 16v SOHC EFI	D15Z	Alt.	4PK775
					AC	4PK865
					PS	4PK815
					Idler Pulley - AC	38030
CIVIC	1991-93	EG5	1.6L 4 Cyl. 16v DOHC EFI	D16A	Alt. & Fan	4PK785
					PS	4PK815
CIVIC	1991-95	EG8	1.5L 4 Cyl. 16v SOHC EFI	D15B	Alt.	4PK775
					PS	4PK815
					Alt.	4PK775
CIVIC	1991-95	EG8	1.5L 4 Cyl. 16v SOHC EFI	D15Z	AC	4PK865
					PS	4PK815
					Idler Pulley - AC	38030
CIVIC	1991-95	EH9	1.6L 4 Cyl. 16v SOHC EFI	D16Y	Alt.	4PK800
					PS	4PK815
					Idler Pulley - AC	38030
CIVIC	1991-02	EK1	1.6L 4 Cyl. 16v SOHC EFI	D16Y	Alt.	4PK790
					AC	4PK800
					PS	4PK850
					Idler Pulley - AC	38030
CIVIC	1993-95	EG5	1.6L 4 Cyl. 16v SOHC EFI	D16Y	Alt.	4PK800
					PS	4PK815
					Idler Pulley - AC	38030
CIVIC	1995-00	EK	1.3L 4 Cyl. 16v SOHC EFI	D13B	Idler Pulley - AC	38030
CIVIC	1995-99	EK4	1.6L 4 Cyl. 16v DOHC EFI	B16A	Alt.	4PK800
					PS	4PK845
					AC	4PK815
CIVIC	1999-00	EJ6	1.6L 4 Cyl. 16v SOHC EFI	D16Y	Alt.	4PK790
					AC	4PK800
					PS	4PK850
					Idler Pulley - AC	38030
CIVIC	1999-00	EJ6	1.6L 4 Cyl. 16v SOHC EFI	D16Y	Alt.	4PK790
					AC	4PK800
					PS	4PK850
					Idler Pulley - AC	38030
CIVIC	1999-00	EM1	1.6L 4 Cyl. 16v DOHC EFI	B16A	Alt.	4PK800
					AC	4PK815
					PS	4PK845
CIVIC	2000-06	ES1	1.7L 4 Cyl. 16v SOHC EFI	D17Z	Alt. & AC	6PK990
					PS	4PK1015
CIVIC	2000-07	EU3	1.7L 4 Cyl. 16v SOHC EFI	D17A	Alt. & AC	6PK990
					PS	4PK1015
CIVIC	2005-08		2.0L 4 Cyl. 16v DOHC EFI	K20Z	Tensioner	38278

* = NZ Vehicles Only

Model	Year	Variant	Engine	Engine Code	Description	Part Number
HONDA CONTINUED						
CONCERTO	1988-92	MA1	1.5L 4 Cyl. 16v SOHC Carb.	D15B	Alt.	3PK760
					AC	4PK875
					PS	11A0785
CONCERTO	1988-92	MA2	1.6L 4 Cyl. 16v SOHC EFI	D16Z	Alt.	3PK760
					AC	4PK875
					PS	11A0785
CONCERTO	1988-92	MA2	1.6L 4 Cyl. 16v SOHC EFI	D16Z	Alt.	3PK760
					AC	4PK875
					PS	11A0785
CRV	1995-02	RD1	2.0L 4 Cyl. 16v DOHC EFI	B20B	Alt.	4PK815
					AC	4PK845
					PS	4PK895
					Idler Pulley - AC	38030
CRV	1998-01	RD2	2.0L 4 Cyl. 16v DOHC EFI	B20B	Alt.	4PK815
					AC	4PK845
					PS	4PK895
					Idler Pulley - AC	38030
CRV	2000-07	RD7	2.4L 4 Cyl. 16v DOHC EFI	K24A	Serp.	7PK1725
					Alt.	4PK815
					AC	4PK850
					Idler	38028
CRV	2006-07	RE4	2.4L 4 Cyl. 16v DOHC EFI	K24Z	Serp.	7PK1725
CRX	1983-87	AE	1.3L 4 Cyl. 12v SOHC EFI	EV	Alt.	3PK710
					AC	13A0850
					PS	11A0890
CRX	1983-87	AF	1.5L 4 Cyl. 12v SOHC EFI	EW	Alt.	3PK735
					PS	11A0890
					AC	13A0850
CRX	1984-87	AS	1.6L 4 Cyl. 16v DOHC EFI	ZC	Alt.	3PK710
					AC	13A0850
					PS	11A0890
CRX	1987-92	ED9	1.6L 4 Cyl. 16v DOHC EFI	D16A	Alt.	3PK760
					AC	4PK875
					PS	11A0785
CRX	1987-92	EF6	1.5L 4 Cyl. 16v SOHC EFI	D158	Alt.	3PK760
					AC	4PK875
					PS	11A0785
CRX	1987-92	EF7	1.6L 4 Cyl. 16v DOHC EFI	ZC	Alt.	3PK760
					AC	4PK875
					PS	11A0800
CRX	1987-91	EG1	1.5L 4 Cyl. 16v SOHC EFI	D15B	Alt.	3PK760
					AC	4PK875
					PS	11A0785
CRX	1987-92	ED9	1.6L 4 Cyl. 16v DOHC EFI	D16A	Alt.	3PK760
					AC	4PK875
					PS	11A0800
CRX	1989-92	EF8	1.6L 4 Cyl. 16v DOHC EFI	B16A	Alt.	4PK775
					AC	4PK840
					PS	11A0890

Model	Year	Variant	Engine	Engine Code	Description	Part Number
HONDA CONTINUED						
CRX	1992-98	EG2	1.6L 4 Cyl. 16v DOHC EFI	B16A	Alt.	4PK775
					AC	4PK830
					PS	4PK875
HRV	1998-02	GH1	1.6L 4 Cyl. 16v SOHC EFI	D16A	Alt.	4PK800
					AC	4PK845
					PS	4PK855
HRV	1998-01	GH2	1.6L 4 Cyl. 16v SOHC EFI	D16A	Alt.	4PK800
					AC	4PK845
					PS	4PK855
HRV	1999-02	GH3	1.6L 4 Cyl. 16v SOHC EFI	D16A	Alt.	4PK800
					AC	4PK845
					PS	4PK855
HRV	2000-02	GH4	1.6L 4 Cyl. 16v SOHC EFI	D16A	Alt.	4PK800
					AC	4PK845
					PS	4PK855
INSIGHT	2001-02	ZE1	1.0L 3 Cyl. 12v SOHC EFI	ECAMF2	AC	5PK1105
					WP	5PK940
INTEGRA	1985-89	AV	1.6L 4 Cyl. DOHC	ZC	Alt.	3PK710
					AC	13A0900
					PS	11A0900
INTEGRA	1985-89	AV	1.6L 4 Cyl. DOHC	ZC	Alt.	3PK710
					AC	13A0900
					PS	11A0900
INTEGRA	1986-89	DA3	1.6L 4 Cyl. 16v DOHC EFI	D16A	Alt.	3PK710
					AC	13A0890
					PS	11A0900
INTEGRA	1989-93	DA5	1.6L 4 Cyl. 16v SOHC EFI	ZC	Alt.	4PK760
					AC	4PK865
					PS	11A0785
INTEGRA	1989-93	DA6	1.6L 4 Cyl. 16v DOHC EFI	B16A	Alt.	4PK775
					AC	4PK825
					PS	11A0890
INTEGRA	1989-93	DA7	1.6L 4 Cyl. 16v SOHC Carb.	ZC	Alt.	4PK760
					AC	4PK865
					PS	11A0785
INTEGRA	1989-93	DA6	1.6L 4 Cyl. 16v DOHC EFI	B16A	Alt.	4PK775
					AC	4PK825
					PS	11A0890
INTEGRA	1989-93	DA9	1.8L 4 Cyl. 16v DOHC EFI	B18A	Alt.	4PK775
					AC	4PK840
					PS	11A0900
INTEGRA	1992-95	DA2	1.5L 4 Cyl. 12v SOHC EFI	EW	Alt.	3PK735
					AC	13A0850
					PS	11A0890
INTEGRA	1993-95	DB7	1.8L 4 Cyl. 16v DOHC EFI	B18B	Alt.	4PK785
					AC	4PK925
					PS	4PK915
					Idler Pulley - AC	38030

* = NZ Vehicles Only

Model	Year	Variant	Engine	Engine Code	Description	Part Number
HONDA CONTINUED						
INTEGRA	1993-01	DC2	1.8L 4 Cyl. 16v DOHC EFI	B18C	Alt.	4PK785
					AC	4PK925
					PS	4PK925
					Idler Pulley - AC	38030
INTEGRA	1993-01	DC4	1.8L 4 Cyl. 16v DOHC EFI	B18B	Alt.	4PK785
					AC	4PK925
					PS	4PK915
					Idler Pulley - AC	38030
INTEGRA	2001-07	DC5	2.0L 4 Cyl. 16v DOHC EFI	K20A3	Serp. - w/ AC	7PK1710
					Serp. - w/o AC	7PK1355
INTEGRA	2004-06	DC5	2.0L 4 Cyl. 16v DOHC EFI	K20Z	Tensioner	38278
JAZZ	2002-07	GD1	1.3L 4 Cyl. 8v SOHC EFI	L13A	Alt. & PS	5PK855
					AC	6PK1130
JAZZ	2002-07	GD3	1.5L 4 Cyl. 8v SOHC EFI	L15A	Alt. & PS	5PK855
					AC	5PK1145
LEGEND	1984-91	KA2	2.5L V6 Cyl. 24v SOHC EFI	C25A	Alt.	3PK1080
					AC	4PK915
					PS	11A1075
					Idler Pulley	38031
LEGEND	1985-88	KA1	2.0L V6 24v SOHC EFI	C20A	Alt.	3PK1080
					AC	4PK875
					PS	11A1065
LEGEND	1987-91	KA3	2.7L V6 Cyl. 24v SOHC EFI	C27A	Alt.	3PK1080
					AC	4PK950
					PS	11A1090
					Idler Pulley	38031
LEGEND	1987-91	KA3	2.7L V6 Cyl. 24v SOHC EFI	C27A	Alt.	3PK1080
					AC	4PK950
					PS	11A1090
					Idler Pulley	38031
LEGEND	1988-90	KA5	2.0L V6 24v SOHC EFI	C20A	Alt.	3PK1080
					AC	4PK875
					PS	11A1065
LEGEND	1990-96	KA7	3.2L V6 24v SOHC EFI	C32A	Alt.	5PK940
					AC	5PK965
					PS	4PK960
LEGEND	1990-96	KA7	3.2L V6 24v SOHC EFI	C32A	Alt.	5PK940
					AC	5PK965
					PS	4PK960
LEGEND	1996-04	KA9	3.5L V6 24v SOHC EFI	C35A	Alt.	5PK940
					AC	5PK955
					PS	4PK950
MDX	2002-06	YD1	3.5L V6 24v SOHC EFI	J35A	Serp.	6PK1190
NSX	1990-96	NA1	3.0L V6 24v DOHC EFI	C30A	Alt.	5PK1105
					AC	4PK975
NSX	1997-02	NA2	3.2L V6 24v DOHC EFI	C32B	Alt.	5PK1105
					AC	4PK975
ODYSSEY	1995-00	RA	2.2L 4 Cyl. 16v SOHC EFI	F22B	Alt. & AC	6PK1040
					PS	4PK1050

Model	Year	Variant	Engine	Engine Code	Description	Part Number
HONDA CONTINUED						
ODYSSEY	1997-01	RA	2.3L 4 Cyl. 16v SOHC EFI	F23A	Alt.	6PK940
					PS	4PK1060
ODYSSEY	1997-07	RA	3.0L V6 24v SOHC EFI	J30A4	Alt. & AC	6PK1190
					PS	4PK1115
					Idler Pulley	38001
PRELUDE	1979-83	SN	1.6L 4 Cyl. 8v SOHC Carb.	EL	Alt. - w/ AC	11A1080
					Alt. - w/o AC	11A0980
					AC	13A0870
					PS	11A0940
PRELUDE	1983-86	AB	1.8L 4 Cyl. 12v SOHC Carb.	ET	Alt. & WP - V-Belt	11A0950
					AC	13A0940
					PS	11A0915
PRELUDE	1985-88	BA3	2.0L 4 Cyl. 12v SOHC EFI	A20A	Alt. & WP - Micro-V Belt	3PK810
					AC	13A0940
					PS	11A0900
PRELUDE	1986-87	BA1	2.0L 4 Cyl. 16v DOHC EFI	B20A	Alt. & AC	5PK1050
					Alt. - w/o AC	5PK875
					PS	4PK975
PRELUDE	1987-91	BA4	2.0L 4 Cyl. 16v DOHC EFI	B20A	Alt. & AC	5PK1050
					Alt. - w/o AC	5PK875
					PS	4PK975
PRELUDE	1987-91	BA4	2.0L 4 Cyl. 16v DOHC EFI	B20A	Alt. & AC	5PK1050
					Alt. - w/o AC	5PK875
					PS	4PK975
PRELUDE	1991-96	BA8	2.2L 4 Cyl. 16v DOHC EFI	F22B	Alt. & AC	5PK1105
					Alt. - w/o AC	5PK940
					PS	4PK1015
PRELUDE	1991-95	BA9	2.2L 4 Cyl. 16v DOHC EFI	F22B	Alt. & AC	5PK1105
					Alt. - w/o AC	5PK940
					PS	4PK1015
PRELUDE	1991-96	BB1	2.2L 4 Cyl. 16v DOHC EFI	H22A	Serp.	6PK1040
					PS	4PK1015
PRELUDE	1991-96	BB2	2.3L 4 Cyl. 16v DOHC EFI	H23A	Alt. & AC	5PK1080
					Alt. - w/o AC	5PK940
					PS	4PK1015
PRELUDE	1991-96	BB1	2.2L 4 Cyl. 16v DOHC EFI	H22A	Serp.	6PK1050
					PS	4PK1015
PRELUDE	1996-00	BB5	2.2L 4 Cyl. 16v DOHC EFI	F22B	Alt. & AC	5PK1105
					Alt. - w/o AC	5PK940
					PS	4PK1015
PRELUDE	1996-00	BB5	2.2L 4 Cyl. 16v SOHC EFI	F22B	Alt. & AC	5PK1080
					Alt. - w/o AC	5PK945
					Alt. & WP	5PK955
					PS	4PK1015
PRELUDE	1996-01	BB6	2.2L 4 Cyl. 16v DOHC EFI	H22A4	Serp.	6PK1050
					PS	4PK1015
PRELUDE	1996-00	BB5	2.2L 4 Cyl. 16v DOHC EFI	F22B	Alt. & AC	5PK1105
					Alt. - w/o AC	5PK940
					PS	4PK1015

* = NZ Vehicles Only

Model	Year	Variant	Engine	Engine Code	Description	Part Number
HONDA CONTINUED						
PRELUDE	1996-00	BB5	2.2L 4 Cyl. 16v DOHC EFI	F22B	Alt. & AC	5PK1105
					Alt. - w/o AC	5PK940
					PS	4PK1015
PRELUDE	1997-01	BB5	2.2L 4 Cyl. 16v DOHC EFI	F22Z	Serp.	6PK1080
S2000	1999-06	AP1	2.0L 4 Cyl. 16v DOHC EFI	F20C	Serp.	6PK1460
					Idler Pulley	36100
HYUNDAI						
ACCENT	2000-03	LC	1.5L 4 Cyl. 16v DOHC EFI	G4EC	Alt.	4PK845
					AC	4PK830
					PS	13A0675
ACCENT	2000-06	LC	1.6L 4 Cyl. 16v DOHC EFI	G4ED	Alt.	4PK845
					AC	4PK815
					PS	13A0675
ACCENT	2000-06	LC	1.6L 4 Cyl. 16v DOHC EFI	G4ED	Alt.	4PK845
					AC	4PK815
					PS	13A0675
ACCENT	2006-07	CN	1.5L 4 Cyl. 16v DOHC Turbo MPFI	D4FA	Tensioner	38454
ACCENT	2006-07	MC	1.6L 4 Cyl. 16v DOHC EFI	G4ED	Alt.	4PK845
					AC	4PK815
					PS	13A0675
COUPE	1996-02	RD	2.0L 4 Cyl. 16v DOHC EFI	G4GM	Alt.	4PK875
					AC	4PK855
					PS	13A0675
COUPE	1996-02	RD	2.0L 4 Cyl. 16v DOHC EFI	G4GC	Alt.	4PK875
					AC	4PK855
					PS	13A0675
ELANTRA	2000-03	XD	1.8L 4 Cyl. 16v DOHC EFI	G4GM	Alt.	4PK875
					AC	4PK855
					PS	3PK650
ELANTRA	2000-06	XD	2.0L 4 Cyl. 16v DOHC MPFI	G4GC	Alt.	4PK875
					AC	4PK855
					PS	3PK675
ELANTRA	2001-04	LAVITA	1.8L 4 Cyl. 16v DOHC MPFI	G4GB	Alt.	4PK875
					AC	4PK855
					PS	3PK650
ELANTRA	2006-07	HD	2.0L 4 Cyl. 16v DOHC MPFI	G4GC	Alt.	4PK875
					AC	4PK855
					PS	3PK675
EXCEL	1986-91	HA	* 1.3L 4 Cyl. 8v SOHC Carb.	4G13	Alt. & WP	4PK865
					AC	13A0840
					PS	13A0620
EXCEL	1994-00	X3	1.5L 4 Cyl. 16v DOHC EFI	G4FK	Alt.	4PK855
					AC - 815mm Belt	4PK815
					AC - 830mm Belt	4PK830
					PS	13A0675
					Idler	36086
EXCEL	1986-90	X1	1.5L 4 Cyl. 8v SOHC Carb.	G4AJ	Alt. & WP	4PK865
					AC	13A0840
					PS	13A0620

Model	Year	Variant	Engine	Engine Code	Description	Part Number
HYUNDAI CONTINUED						
EXCEL	1986-02	X3	1.5L 4 Cyl. 12v SOHC EFI	G4EK	Alt. & WP	4PK900
					AC to 1997	4PK875
					AC from 1997	4PK850
					PS	4PK610
					Idler	36086
EXCEL	1990-94	X2	1.5L 4 Cyl. 8v SOHC EFI	G4DJ	Alt. & WP	4PK865
					AC	13A0840
					PS	13A0620
GETZ	2001-06	TB	1.5L 4 Cyl. 16v DOHC EFI	G4EC	Alt.	4PK855
					AC	4PK830
					PS	13A0675
GETZ	2002-07	GLS	1.5L 4 Cyl. 16v DOHC MPFI	G4EC	Alt.	4PK855
					AC	4PK830
					PS	13A0675
GETZ	2002-07	TB	1.3L 4 Cyl. 16v DOHC MPFI	G4EA	Alt.	4PK900
					AC	4PK875
					PS	4PK610
GETZ	2006-07		1.5L 4 Cyl. 16v DOHC Turbo EFI	D4FA	Tensioner	38454
GRANDEUR	1999-04	FT41D	3.0L V6 24v DOHC EFI	G6CT	Alt.	6PK1230
					AC & PS	5PK915
LANTRA	1991-92		1.6L 4 Cyl. 16v DOHC EFI	G4CR	Alt. & WP	4PK980
					AC	4PK915
					PS	13A0675
LANTRA	1992-01	J3	1.8L 4 Cyl. 16v DOHC EFI	G4CN	Alt. & WP	4PK990
					AC	4PK940
					PS	13A0675
LANTRA	1993-00	J2	1.8L 4 Cyl. 16v DOHC EFI	G4GM	Alt. & WP	4PK875
					AC	4PK850
					PS	13A0655
LANTRA	1995-99	J2 SPORTS WAGON	1.8L 4 Cyl. 16v DOHC MPFI	G4GM	Alt. & WP	4PK875
					AC	4PK850
					PS	13A0655
LANTRA	1995-00	J3	2.0L 4 Cyl. 16v DOHC EFI	G4GC	Alt. & WP	4PK875
					AC	4PK855
					PS	13A0675
LANTRA	1996-00	J3	1.8L 4 Cyl. 16v DOHC EFI	G4GM	Alt. & WP	4PK875
					AC	4PK850
					PS	13A0675
PONY	1982-89	RA	* 1.4L 4 Cyl. 8v SOHC Carb.	4G33	Alt. & WP to 1987	11A0815
					Alt. & WP from 1988	11A0925
PONY	1984-85	RA	* 1.2L 4 Cyl. 8v SOHC Carb.	4G36	Alt. & WP to 1987	11A0815
					Alt. & WP from 1988	11A0925
S COUPE	1990-93		1.5L 4 Cyl. 8v SOHC EFI	G4DJ	Alt. & WP	4PK865
					AC	13A0840
					PS	13A0620
S COUPE	1992-96	1N	1.5L 4 Cyl. 12v SOHC EFI	G4EKM	Alt. & WP	4PK900
					PS	6PK640
					AC	4PK950

* = NZ Vehicles Only

Model	Year	Variant	Engine	Engine Code	Description	Part Number
HYUNDAI CONTINUED						
S COUPE	1992-96	LS	1.5L 4 Cyl. 12v SOHC Turbo EFI	G4EKT	Alt. & WP	4PK900
					AC	4PK950
					PS	6PK640
SANTA FE	2000-04	SM	2.4L 4 Cyl. 16v DOHC MPFI	G4JSY	Alt.	4PK950
					AC & PS	5PK1390
SANTA FE	2000-06	SM	2.7L V6 24v DOHC PFI	G6BA	Serp.	6PK1995
					Serp. - w/o AC	6PK1700
					Tensioner	38149
					Tensioner Pulley	38027
					Idler Pulley	38027
SANTA FE	2006-07	CM	2.2L 4 Cyl. 16v DOHC Turbo EFI	D4EB	Tensioner	38454
					Idler	36206
SONATA	1989-90	AF21	2.4L 4 Cyl. 8v SOHC EFI	G4CS	Alt. & WP	4PK980
					AC	13A0980
					PS	13A0655
SONATA	1989-98	F31	3.0L V6 12v SOHC EFI	G6AT	Alt. & PS	5PK1240
					AC	13A0980
SONATA	1990-99	F21	3.0L V6 12v SOHC EFI	G6AT	Alt. & PS	5PK1240
					AC	13A0980
SONATA	1993-00	EF	2.0L 4 Cyl. 16v DOHC EFI	G4CP	Alt.	4PK990
					AC	4PK960
					PS	13A0675
SONATA	1998-02	EF	2.0L 4 Cyl. 16v DOHC MPFI	G4JP	Alt.	4PK950
					AC & PS	5PK1390
SONATA	1998-02	EF	2.5L V6 24v DOHC EFI	G6BV	Serp.	6PK1995
					Tensioner	38149
					Tensioner Pulley	38027
					Idler Pulley	38027
SONATA	2001-05	EF-B	2.4L 4 Cyl. 16v DOHC MPFI	G4SY	Alt.	4PK950
					AC & PS	5PK1390
SONATA	2001-05	EF-B	2.7L V6 4v DOHC PFI	G6BA	Serp.	6PK1995
					Serp. - w/o AC	6PK1700
					Tensioner	38149
					Tensioner Pulley	38027
					Idler Pulley	38027
SONATA	2006-08	EU	2.0L V4 16v DOHC Turbo MPFI	D4EA	Tensioner	38454
					Idler	36206
SONATA	2007-08	ET	2.0L 4 Cyl. 16v DOHC Turbo MPFI	D4EA	Idler	36206
STELLAR	1984-89		* 1.6L 4 Cyl. 8v SOHC Carb.	4G32	Alt. & WP	11A0925
STELLAR	1984-89		* 2.0L 4 Cyl. 8v SOHC Carb.	4G63	Alt. & WP	11A0965
TERRACAN	2001-07	HP	3.5L V6 24v DOHC MPFI	G6CU	Alt.	5PK1135
					AC	4PK940
					PS	4PK1080
TERRACAN	2004-07		2.9L 4 Cyl. 16v DOHC Turbo Diesel EFI	J3	Alt.	5PK1690
					AC	13A0980
					PS	4PK835
TIBURON	2002-06	GK	2.0L 4 Cyl. 16v DOHC MPFI	G4GC	Alt.	4PK885
					AC	4PK850

Model	Year	Variant	Engine	Engine Code	Description	Part Number
HYUNDAI CONTINUED						
TIBURON	2002-09	GK	2.7L V6 24v DOHC PFI	G6BA	Serp. - w/ AC	4PK1995
					Tensioner	38149
					Tensioner Pulley	38027
					Idler Pulley	38027
TRAJET	2000-07	FO	2.7L V6 24v DOHC PFI	G6BA	Serp.	6PK1995
					Serp. - w/o AC	6PK1700
TUCSON	2004-09	N81	2.7L V6 24v DOHC PFI	G6BA	Serp. - w/ AC	6PK1995
					Serp. - w/o AC	6PK1700
TUCSON	2005-09	CITY	2.0L 4 Cyl. 16v DOHC MPI	G4GC	Alt.	4PK875
					PS	3PK675
TUCSON	2006-07		* 2.0L 4 Cyl. 16v DOHC Turbo MPFI	D4EA	Tensioner	38454
					Idler	36206
ISUZU						
ASKA	1983-89	JJ110	* 1.8L 4 Cyl. 8v SOHC Carb.	4ZB1	Alt. & WP	11A1015
					AC	13A0850
					PS	13A0735
ASKA	1983-90	JJ120	* 1.8L 4 Cyl. 8v SOHC Carb.	4CZ1	Alt. & WP	11A1015
					AC	13A0850
					PS	13A0735
ASKA	1983-89	JJ510	2.0L 4 Cyl. 8v SOHC Diesel	4FC1	Alt. - 865mm Belt	13A0865
					Alt. - 760mm Belt	13A0760
					AC	13A0890
					PS	13A0760
ASKA	1990-92	BCK	* 1.8L 4 Cyl. 16v SOHC EFI	EJ18	Alt.	5PK875
					AC	4PK890
ASKA	1990-93	BCL	* 2.0L 4 Cyl. 16v DOHC EFI	EJ20	Alt.	5PK875
					AC	4PK890
ASKA	1990-93	BCL	* 2.0L 4 Cyl. 16v DOHC EFI	EJ20	Alt.	5PK875
					AC	4PK890
BIGHORN	1981-87	UBS13	* 2.0L 4 Cyl. 8v SOHC Carb.	G200Z	Alt.	13A0900
					PS	13A0760
BIGHORN	1981-88	UBS52	* 2.2L 4 Cyl. 8v OHV Diesel	C223	Alt. & Fan	15A1055
					AC & PS	13A1525
					AC - w/o PS	13A1500
					PS - w/o AC	13A1500
BIGHORN	1991-99	UBS25	* 3.2L V6 24v DOHC EFI	6VD1	Alt. & Fan	4PK960
					AC	4PK800
					PS	11A1030
BIGHORN	1991-95	UBS69	3.1L 4 Cyl. 8v OHV Turbo Diesel	4JG2T	Alt. & Fan	15A1055
					AC & PS	13A1525
					PS - w/o AC	13A1450
FARGO	1983-87	WFR11	1.6L 4 Cyl. 8v SOHC Carb.	4ZB1	Alt. & Fan	13A0875
					AC	13A0980
					Air Pump	11A0760
					PS	11A0660
FARGO	1983-89	WFR53	* 2.2L 4 Cyl. 8v SOHC Diesel	4FD1	Alt. & Fan	13A1040
					AC	13A1395
					Air Pump	11A0760
					PS	11A0660

* = NZ Vehicles Only

Model	Year	Variant	Engine	Engine Code	Description	Part Number
ISUZU CONTINUED						
FARGO	1984-90	WFR51	* 2.0L 4 Cyl. 8v SOHC Diesel	4FC1	Alt. & Fan	13A1055
					AC	13A1375
					PS	11A0660
FARGO	1988-85	WFR62	* 2.2L 4 Cyl. 8v SOHC Diesel	4FG1	Alt. & Fan	13A1040
					AC	13A1395
					Air Pump	11A0760
					PS	11A0660
FSR11	1986-92		5.8L 6 Cyl. 12v OHV Diesel	6BD1	Alt. - 40 amp (2 Belts)	15A1270
GEMINI	1977-81	PF50	1.6L 4 Cyl. 8v SOHC Carb.	G161Z	Alt. & WP	13A0875
					AC	13A0955
					Air Pump	11A0775
GEMINI	1985-89	JT1500	* 1.5L 4 Cyl. 8v SOHC Carb.	4XC1	Alt. & WP	4PK685
					AC	13A0760
					PS	11A0915
GEMINI	1985-90	JT600	* 1.5L 4 Cyl. 8v SOHC Diesel	4EC1	Alt.	13A0925
					AC	13A1145
					PS	11A0915
KS32	1981-84		3.9L 4 Cyl. 8v OHV Diesel	4BD1	Alt. & Fan	15A1170
					Alt. & Fan - (2 Belts)	11A1195
					AC	13A0965
KT25	1980-81		3.3L 4 Cyl. 8v SOHC Diesel	4BC2	Alt. & Fan	15A1170
					Alt. & Fan - (2 Belts)	11A1195
					AC	11A1170
					PS	13A1295
KT26	1981-84		3.3L 4 Cyl. 8v SOHC Diesel	4BC2	Alt. & Fan	15A1170
					Alt. & Fan - (2 Belts)	11A1195
					AC	11A1170
					PS	13A1295
MU	1985-93	UCS17	2.6L 4 Cyl. 8v SOHC EFI	4ZE1	Alt. & Fan	13A0875
					AC	13A0990
					PS	13A1015
NKR200	1996-98	N6	4.3L 4 Cyl. 8v OHV Diesel	4HF1	Alt. (2 Belts)	13A1065
					AC	13A1575
NKR200	1998-00	N8	4.3L 4 Cyl. 8v OHV Diesel	4HF1	Alt. (2 Belts)	13A1065
					AC	13A1575
NKR200	2000-02	NY	4.3L 4 Cyl. 8v OHV Diesel	4HF1	Alt. (2 Belts)	13A1065
					AC	13A1575
NKR57	1984-89		3.3L 4 Cyl. 8v SOHC Diesel	4BC2	Alt. & WP	15A1170
					AC	13A0990
NKR58	1984-93		3.3L 4 Cyl. 8v OHV Diesel	4BE1	Alt. & WP	15A1170
					AC	13A0990
NPR200	1989-98	N4	3.6L 4 Cyl. 8v OHV Diesel	4BE1	AC	13A1005
					Alt. (2 Belts)	11A1170
NPR200	1996-98	N4	4.3L 4 Cyl. 8v OHV Diesel	4HF1	Alt. (2 Belts)	13A1065
NPR200	1996-03		4.3L 4 Cyl. 8v OHV Diesel	4HF1	Alt. (2 Belts)	13A1065
					AC	13A1575
NPR200	1998-00	N8	4.3L 4 Cyl. 8v OHV Diesel	4HF1	Alt. (2 Belts)	13A1065
NPR200	2000-02	NY	4.3L 4 Cyl. 8v OHV Diesel	4HF1	Alt. (2 Belts)	13A1065

Model	Year	Variant	Engine	Engine Code	Description	Part Number
ISUZU CONTINUED						
NPR200	2003-05		4.8L 4 Cyl. 8v SOHC Turbo Diesel	4HE1	Alt. (2 Belts)	13A1065
					AC	13A1575
NPR250	1989-98	N4	3.6L 4 Cyl. 8v OHV Diesel	4BE1	Alt. (2 Belts)	11A1170
					AC	13A1005
NPR250	1989-98		4.3L 4 Cyl. 8v OHV Diesel	4HF1	Alt. (2 Belts)	13A1065
					AC	13A1575
NPR250	1998-03		4.6L 4 Cyl. 8v SOHC Diesel	4HG1	Alt. (2 Belts)	13A1065
					AC	13A1575
NPR250	2000-05		4.8L 4 Cyl. 8v SOHC Turbo Diesel	4HE1	Alt. (2 Belts)	13A1065
					AC	13A1575
NPR300	1989-95	N3	4.3L 4 Cyl. 8v OHV Diesel	4HF1	Alt. (2 Belts)	13A1065
					AC	13A1575
NPR300	1989-98	N4	3.6L 4 Cyl. 8v OHV Diesel	4BE1	Alt. (2 Belts)	11A1170
					AC	13A1005
NPR300	1989-98	N4	4.3L 4 Cyl. 8v OHV Diesel	4HF1	Alt. (2 Belts)	13A1065
					AC	13A1575
NPR300	1998-02	NY	4.6L 4 Cyl. 8v SOHC Diesel	4HG1	Alt. (2 Belts)	13A1065
					AC	13A1575
NPR300	1998-02	NY	4.6L 4 Cyl. 8v SOHC Diesel	4HG1	Alt. (2 Belts)	13A1065
					AC	13A1575
NPR300	2003-05		4.8L 4 Cyl. 8v SOHC Turbo Diesel	4HE1	Alt. (2 Belts)	13A1065
					AC	13A1575
NPR400	1989-98	N4	4.3L 4 Cyl. 8v OHV Diesel	4HF1	Alt. (2 Belts)	13A1065
NPR400	1998-00		4.6L 4 Cyl. 8v SOHC Diesel	4HG1	Alt. (2 Belts)	13A1065
					AC	13A1575
NPR400	2000-05		4.8L 4 Cyl. 8v SOHC Turbo Diesel	4HE1	Alt. (2 Belts)	13A1065
					AC	13A1575
NPR57	1984-90		3.3L 4 Cyl. 8v SOHC Diesel	4BC2	Alt. & Fan	15A1170
					Alt. & Fan - (2 Belts)	11A1195
					AC	13A0990
NPR59	1984-90		3.3L 4 Cyl. 8v OHV Diesel	4BD1	Alt. & Fan	15A1170
					Alt. & Fan - (2 Belts)	11A1195
					AC	13A0990
NPS300	1992-95	NPS	3.9L 4 Cyl. 8v OHV Turbo Diesel	4BD1T	Alt. & WP	15A1175
					AC	13A1005
					Fan	11A1075
PIAZZA	1981-85	JR130	* 2.0L 4 Cyl. 16v DOHC EFI	G200W	Alt.	13A0915
					AC	13A0965
					PS	13A0815
PIAZZA	1985-88	JR130	* 2.0L 4 Cyl. 8v SOHC EFI	G200Z	Alt.	13A0890
					AC	13A0940
					PS	13A0815
RODEO	1971-83	KBD20	* 2.0L 4 Cyl. 8v OHV Diesel	C190	Alt. & Fan	15A1055
					PS	13A1500
RODEO	1979-88	KBD46	* 2.0L 4 Cyl. 8v OHV Diesel	C190	Alt. & Fan	15A1055
					PS	13A1500
RODEO	1980-04	TFR52	* 2.2L 4 Cyl. 8v OHV Diesel	C223	Alt. & Fan	15A1055
					PS	13A1500

* = NZ Vehicles Only

Model	Year	Variant	Engine	Engine Code	Description	Part Number
ISUZU CONTINUED						
RODEO	1980-04	TFR52	* 2.2L 4 Cyl. 8v OHV Diesel	C223	Alt. & Fan	15A1055
					PS	13A1500
RODEO	1982-88	KBD42	2.2L 4 Cyl. 8v OHV Diesel	C223	Alt. & Fan	15A1055
					PS	13A1500
RODEO	1982-88	KBD42	2.2L 4 Cyl. 8v OHV Diesel	C223	Alt. & Fan	15A1055
					PS	13A1500
RODEO	1984-86	KBD21	2.0L 4 Cyl. 8v OHV Diesel	C190	Alt. & Fan	15A1055
					PS	13A1500
RODEO	1984-89	KBD22	* 2.2L 4 Cyl. 8v OHV Diesel	C223	Alt. & Fan	15A1055
					PS	13A1500
RODEO	1984-85	KBD26	2.0L 4 Cyl. 8v OHV Diesel	C190	Alt. & Fan	15A1055
					PS	13A1500
RODEO	1985-88	KBD27	* 2.2L 4 Cyl. 8v OHV Diesel	C223	Alt. & Fan	15A1055
					PS	13A1500
SBR422	1970-75	SBR	5.4L 6 Cyl. 12v SOHC Diesel	6BB1	Alt. 25 amp (2 Belts)	15A1195
					Alt. 40 amp (2 Belts)	15A1270
					AC	15A1105
TROOPER	1983-84	UBS16	* 2.3L 4 Cyl. 8v SOHC Carb.	4ZD1	Alt. & Fan	13A0875
					AC	13A0990
					Air Pump	11A0760
					PS	13A1015
TROOPER	1983-84	UBS17	* 2.6L 4 Cyl. 8v SOHC EFI	4ZE1	Alt. & Fan	13A0875
					AC	13A0990
					Air Pump	11A0760
					PS	13A1015
JAGUAR						
E TYPE	1967-69		4.2L 6 Cyl. 24v DOHC Carb.	7R	Alt. & Fan	11A0900
					Fan & PS	13A1205
Mk II	1955-69		3.4L 6 Cyl. 12v DOHC Carb.	3.4	Alt.	13A1030
SOVEREIGN	1979-87		4.2L 6 Cyl. 24v DOHC EFI	4.2	Alt.	11A0850
					AC	13A1005
					Fan & PS	13A1155
SOVEREIGN	1984-91		5.3L V12 24v OHV EFI	7P	Alt.	4PK835
					AC	13A1525
					Fan	13A0815
					PS & WP	13A1080
SOVEREIGN	1987-88		3.6L 6 Cyl. 24v DOHC EFI	3.6	Alt. & Fan	4PK990
					AC	13A0965
S-TYPE	1964-69		3.4L 6 Cyl. 24v DOHC Carb.	3.4	Fan & Gen.	13A1015
S-TYPE	1964-69		3.8L 6 Cyl. 24v DOHC Carb.	3.8	Fan & Gen.	13A1015
S-TYPE	1999-08		3.0L V6 24v DOHC EFI	AJ30	Serp.	6PK2720
S-TYPE	1999-02		4.0L V8 32v DOHC EFI	AJ35	Serp.	6PK2400
XJ12	1976-79		5.3L V12 24v OHV Carb.	7P	Alt.	11A0850
					AC	13A1525
					Fan	13A0825
					PS	13A1090
XJ6	1969-74	SERIES 1	2.8L 6 Cyl. 24v DOHC EFI	AK6	PS	13A1125
					WP	13A0750

Model	Year	Variant	Engine	Engine Code	Description	Part Number
JAGUAR CONTINUED						
XJ6	1969-74	SERIES 1	4.2L 6 Cyl. 24v DOHC EFI	AK6	Alt.	11A0850
					AC	13A1005
					Fan & PS	13A1180
XJ6	1973-81	SERIES 2	4.2L 6 Cyl. 24v DOHC EFI	AK6	Alt.	11A0850
					AC	13A1005
					Fan & PS	13A1180
XJ6	1979-94		4.2L 6 Cyl. 24v DOHC EFI	AJ6	Alt.	11A0850
					AC	13A1005
					Fan & PS	13A1155
XJ6	1987-92		3.6L 6 Cyl. 12v SOHC EFI	AJ6	Alt. & WP	5PK975
					AC	13A0980
XJ6	1989-97	XJ40	4.0L 6 Cyl. 24v DOHC EFI	AJ6	Alt. & WP	5PK975
					AC	13A0980
XJ6	1991-99		3.2L 6 Cyl. 24v DOHC EFI	AJ16	Alt. & WP	5PK975
					AC	13A0980
XJ6	1992-97	XJ40	3.6L 6 Cyl. 24v DOHC EFI	AJ6	Alt.	4PK990
JEEP						
CHEROKEE	1983-86	NB	5.9L V8 16v OHV Carb.	360	Alt., Fan & AC	11A1285
					Alt. & Fan - w/o AC	11A1055
					Fan & PS	11A1360
					Air Pump - w/ PS	11A0735
CHEROKEE	1993-02	XJ	4.0L 6 Cyl. 12v OHV EFI	MX	Serp. - 2275mm Belt	6PK2275
					Serp. - 2500mm Belt	6PK2500
					Idler Pulley	38042
CHEROKEE	1997-01	XJ	2.5L 4 Cyl. 16v DOHC Turbo Diesel	VM	Serp.	6PK2415
CHEROKEE	2001-03	KJ	2.4L 4 Cyl. 16v DOHC EFI	4W	Serp. - w/ AC	6PK2345
					Tensioner	38185
					Tensioner Pulley	36101
CHEROKEE	2001-07	KJ	2.5L 4 Cyl. 16v DOHC Turbo EFI	2W	Serp.	6PK2415
CHEROKEE	2001-08	KJ	3.7L V6 12v SOHC EFI	2W	Serp.	6PK2225
CJ7	1981-83		2.4L 4 Cyl. 8v OHV Diesel	24D	Alt.	15A1030
CJ7	1981-84		2.5L 4 Cyl. 8v OHV EFI	25	Alt.	11A1205
					PS	11A1285
CJ7	1981-84		4.2L 6 Cyl. 12v OHV Carb.	Z	Alt. & Fan	11A1090
					Fan & PS - 120mm Dia. Stg. Pump Pulley	13A1155
					Fan & PS - 140mm Dia. Stg. Pump Pulley	13A1180
CJ8	1983-85		4.2L 6 Cyl. 12v OHV Carb.	Z	Alt. & Fan	11A1090
					Fan & PS - 120mm Dia. Stg. Pump Pulley	13A1155
					Fan & PS - 140mm Dia. Stg. Pump Pulley	13A1180
GRAND CHEROKEE	1996-99	ZG	4.0L 6 Cyl. 12v OHV EFI	MX	Serp.	6PK2275
					Tensioner	38163
					Tensioner Pulley	38018
					Idler Pulley	38043

* = NZ Vehicles Only

Model	Year	Variant	Engine	Engine Code	Description	Part Number
JEEP CONTINUED						
GRAND CHEROKEE	1999-05	WJ	4.0L 6 Cyl. 12v OHV EFI	MX	Serp.	6PK2230
					Tensioner	38163
					Tensioner Pulley	38018
					Idler Pulley	38043
GRAND CHEROKEE	1999-02	WJ	4.7L V8 16v SOHC EFI	3Y5	Serp.	6PK2210
					Tensioner	38167
					Tensioner Pulley	38042
					Idler Pulley	38009
GRAND CHEROKEE	2000-05	WG	4.0L 6 Cyl. 12v OHV EFI	MX	Serp.	6PK2230
					Tensioner	38163
					Tensioner Pulley	38018
					Idler Pulley	38043
GRAND CHEROKEE	2001-07	WG	4.7L V8 16v SOHC EFI	3Y5	Serp.	6PK2210
					Tensioner	38167
					Tensioner Pulley	38042
					Idler Pulley	38009
GRAND CHEROKEE	2005-07	WH	4.7L V8 16v SOHC EFI	3Y5	Serp.	6PK2210
					Tensioner	38167
					Tensioner Pulley	38042
					Idler Pulley	38009
WRANGLER	1996-03	TJ	4.0L 6 Cyl. 12v OHV EFI	MX	Serp. - w/o AC	6PK2305
					Serp. - w/o AC	6PK1790
					Tensioner Pulley	38042
					Idler Pulley	38043
WRANGLER	1996-03	TJ	4.0L 6 Cyl. 12v OHV EFI	MX	Serp. - w/o AC	6PK2305
					Serp. - w/o AC	6PK1790
					Tensioner Pulley	38042
					Idler Pulley	38043
KIA						
CARENS	2000-02	FC52	1.8L 4 Cyl. 16v DOHC EFI	TB	Alt.	4PK885
					PS - w/ AC	4PK1080
CARNIVAL	1999-07		2.5L V6 24v DOHC MPFI	KV6	Serp. - w/ AC	6PK1575
					Tensioner - 2004-on	38149
					Tensioner Pulley	38027
					Idler Pulley	38027
CERATO	2004-07	FE22	2.0L 4 Cyl. 16v DOHC EFI	G4GC	Alt.	4PK890
					AC	4PK845
CERATO	2004-07	FE22	2.0L 4 Cyl. 16v DOHC EFI	G4GC	Alt.	4PK890
					AC	4PK845
CERES	1992-97	S28A	2.2L 4 Cyl. 8v SOHC Diesel	S2	Alt. & Fan	13A1120
					PS	13A0865
CERES	1996-01	KW52	2.4L 4 Cyl. 8v OHV Diesel	SC	AC	13A0865
CREDOS	1998-01	G11	2.0L 4 Cyl. 16v DOHC EFI	FE	Alt.	3PK760
					AC & PS	5PK1080
K2700	2002-07	TU	2.7L 4 Cyl. 8v SOHC Diesel	J2	Alt.	13A1105
					AC	13A0965
					PS	13A1225

Model	Year	Variant	Engine	Engine Code	Description	Part Number
KIA CONTINUED						
MENTOR	1996-01		1.5L 4 Cyl. 8v SOHC EFI	B5	Alt. & WP	4PK875
					AC & PS	4PK1030
					AC - w/o PS	4PK900
					PS - w/o AC	4PK890
MENTOR	1998-01		1.5L 4 Cyl. 16v DOHC EFI	BF	Alt.	4PK875
					AC	4PK1050
					PS	4PK890
MENTOR	1998-02		1.8L 4 Cyl. 16v DOHC EFI	TE	Alt.	4PK890
					AC - w/o PS	4PK1040
					PS - w/ AC	4PK1050
					PS - w/o AC	4PK890
OPTIMA	2001-03	GD	2.5L V6 24v DOHC EFI	G6BV	Serp.	6PK1995
					Tensioner	38149
					Tensioner Pulley	38027
					Idler Pulley	38027
OPTIMA	2004-07	GD	2.7L V6 24v DOHC EFI	G6BA	Serp.	6PK1995
PREGIO	2002-06	CT	2.7L 4 Cyl. 8v SOHC Diesel	J2	Alt.	15A1130
					AC	13A0915
					PS	13A0875
RIO	2000-06	BC	1.5L 4 Cyl. 16v DOHC EFI	A5D	Alt.	4PK890
					PS - w/ AC	4PK975
					PS - w/o AC	4PK850
SHUMA	2000-02	FB24	1.6L 4 Cyl. 16v DOHC EFI	TE	Alt.	4PK885
					AC & PS	4PK1115
SORENTO	2002-07	BL	3.5L V6 24v DOHC MPFI	G6CU	Alt.	5PK1135
					AC	4PK940
					PS	4PK1080
SPECTRA	2001-03	FB24	1.8L 4 Cyl. 16v DOHC EFI	TE	Serp.	4PK1120
SPORTAGE	1996-00	JA55	2.0L 4 Cyl. 16v DOHC EFI	FE	Alt. & WP	4PK925
					AC - Micro-V Belt	4PK870
					AC - V-Belt	13A0900
					PS	13A0775
SPORTAGE	1999-03	JS52	2.0L 4 Cyl. 16v DOHC EFI	FE	Alt. & Fan	4PK925
					AC - Micro-V Belt	4PK870
					AC - V-Belt	13A0900
					PS	13A0775
SPORTAGE	2005-07	JE55	2.7L V6 24v DOHC EFI	G6BA	Serp.	6PK1995
SPORTAGE	2007-09	JE55	2.0L 4 Cyl. 16v DOHC Turbo Direct Inj.	D4EA	Tensioner	38454
					Idler	36206
LADA						
NIVA	1983-98	2121	1.6L 4 Cyl. 8v SOHC Carb.	1600	Alt.	11A0940
					PS	13A1055
NIVA	1988-89	2106	1.6L 4 Cyl. 8v SOHC Carb.	1600	Alt.	11A0940
					PS	13A1055
NIVA	1993-99	2121	1.7L 4 Cyl. 8v SOHC Carb.	1700	Alt.	11A0940
					PS	13A1055
NIVA	1993-98	2121	1.7L 4 Cyl. 8v SOHC EFI	1700	Alt.	11A0940
					PS	13A1055
SABLE	1988-96	2109	1.5L 4 Cyl. 8v SOHC Carb.	1500	Alt. V-Belt	11A0710
SAMARA	1988-90	2108	1.3L 4 Cyl. 8v SOHC Carb.	1300	Alt. - Micro-V Belt	4PK700
					Alt. V-Belt	11A0710
VOLANTE	1993-96	2108	1.5L 4 Cyl. 8v SOHC Carb.	1500	Alt. V-Belt	11A0710

* = NZ Vehicles Only

Model	Year	Variant	Engine	Engine Code	Description	Part Number
LANCIA						
DELTA	1985-90		1.6L 4 Cyl. 8v SOHC Turbo EFI	831B7046	Alt. - w/ PS, w/o AC	11A0915
					Alt. - w/o PS, w/o AC	11A0940
					AC	11A0825
					PS - w/o AC	11A0825
GAMMA	1982-85		2.5L 4 Cyl. 8v SOHC EFI	2.5	Alt. & WP - w/o AC	11A1015
					PS	11A0710
PRISMA	1986-90		* 1.6L 4 Cyl. 8v DOHC Carb.	831B6000	Alt. - w/ PS, w/o AC	11A0915
					Alt. - w/o PS, w/o AC	11A0940
					AC	11A0825
					PS - w/ AC	11A0815
					PS - w/o AC	11A0825
LAND ROVER						
90	1980-84		3.5L V8 16v OHV Carb.	3.5	Alt.	11A1220
					AC	13A0990
90	1981-85		3.9L 4 Cyl. 8v OHV Diesel	4BD1	Alt. & Fan	15A1205
					AC	11A1080
110	1984-88	COUNTY	3.5L V8 16v OHV Carb.	17G	Alt.	11A1220
					AC	13A0990
					PS	13A0925
110	1984-88	COUNTY	3.9L 4 Cyl. 8v OHV Diesel	4BD1	Alt. & Fan	15A1205
					AC	11A1080
110	1984-94		3.9L 4 Cyl. 8v OHV Diesel	4BD1	Alt. & Fan	15A1205
					AC	11A1080
110	1985-85	COUNTY	3.5L V8 16v OHV Carb.	24G	Alt.	11A1220
					AC	13A0990
					PS	13A0925
DEFENDER	1994-00	90	2.5L 4 Cyl. 8v OHV Turbo Diesel	16L	Alt. - Micro-V Belt	7PK1605
					Alt. - V-Belt	11A0610
					AC - Micro-V Belt	4PK1360
					AC - V-Belt	13A1350
					PS	13A1030
					PS & Air Pump	7PK1580
					Tensioner	38425
DEFENDER	2003-05	90	2.5L 5 Cyl. 10v SOHC Turbo Diesel	TD5	Serp. - w/ AC	7PK1820
DEFENDER	1992-99	110	2.5L 4 Cyl. 8v OHV Turbo Diesel	16L	Alt. - Micro-V Belt	7PK1605
					Alt. - V-Belt	11A0610
					AC - Micro-V Belt	4PK1360
					AC - V-Belt	13A1350
					PS	13A1030
					PS & Air Pump	7PK1580
					Tensioner	38425
DEFENDER	1994-99	130	2.5L 4 Cyl. 8v OHV Turbo Diesel	16L	Tensioner	38425
					Alt. - Micro-V Belt	7PK1605
					Alt. - V-Belt	11A0610
					AC - Micro-V Belt	4PK1360
					AC - V-Belt	13A1350
					PS	13A1030
					PS & Air Pump	7PK1580
					Tensioner	38425

* = NZ Vehicles Only

Model	Year	Variant	Engine	Engine Code	Description	Part Number
LAND ROVER CONTINUED						
DEFENDER	1994-04	130	2.5L 5 Cyl. 10v SOHC Turbo Diesel	TD5	Serp. - w/ AC	7PK1820
DEFENDER	1999-02	110	2.5L 5 Cyl. 10v SOHC Turbo Diesel	TD5	Serp. - w/ AC	7PK1820
DISCOVERY	1991-94		3.5L V8 16v OHV EFI	22D	Alt.	10A0675
					AC	13A1000
					PS	13A0925
DISCOVERY	1991-94		3.5L V8 16v OHV EFI	23D	Alt.	10A0675
					AC	13A1000
					PS	13A0925
DISCOVERY	1993-00		3.9L V8 16v OHV EFI	38D	Serp.	7PK2240
					AC	13A1000
					PS	13A0925
DISCOVERY	1994-00		2.5L 8v OHV Turbo Diesel EFI	18L	Serp. - w/ 49mm Dia. Pulley (96-00)	7PK1580
					Serp. - w/ 62mm Dia. Pulley (94-95)	7PK1605
					AC - Micro-V Belt	4PK1320
DISCOVERY	1998-05	SERIES II	3.9L 8 Cyl. V8 16v OHV EFI	56D	Serp.	7PK2240
					Tensioner	38245
DISCOVERY	1998-02		4.0L V8 16v OHV EFI	55D	Serp.	7PK2240
DISCOVERY	1999-04		2.5L 5 Cyl. 10v SOHC Turbo Diesel	TD5	Serp.	7PK1820
					PS	4PK1320
FREELANDER	1997-02		1.8L 4 Cyl. 16v DOHC EFI	18K	Serp.	5PK1195
					PS	3PK760
					Tensioner	38441
FREELANDER	1997-00		2.0L 4 Cyl. 8v SOHC Turbo Diesel EFI	20T	Serp. - w/ AC	6PK1460
					Alt.	6PK1190
FREELANDER	2000-07		2.0L 4 Cyl. 6v DOHC Turbo Diesel Direct Inj.	M47D20	Alt.	5PK2020
					AC	5PK870
FREELANDER	2000-04		2.5L V6 24v DOHC EFI	25K	Serp. - w/ AC	6PK1555
RANGE ROVER	1970-85		3.9L V8 16v OHV Carb.	15D	Alt. - w/ AC	10A0675
					Alt. & Fan/Gen. - w/o PS	11A1230
					AC	13A0990
					Fan - w/ AC	13A0990
					Jackshaft - w/o PS	13A0925
					PS	13A0925
RANGE ROVER	1984-89		3.5L V8 16v OHV Carb.	25D	Alt. - Micro-V Belt (From 92-94)	4PK1270
					Alt. - V-Belt (to 1992)	10A0675
					AC	13A0990
					Fan	13A0990
					PS	13A0940
RANGE ROVER	1984-90		3.5L V8 16v OHV Carb.	22D	Alt. - Micro-V Belt (From 92-94)	4PK1270
					Alt. - V-Belt (to 1992)	10A0675
					AC	13A0990
					Fan	13A0990
					PS	13A0940

* = NZ Vehicles Only

Model	Year	Variant	Engine	Engine Code	Description	Part Number
LAND ROVER CONTINUED						
RANGE ROVER	1985-90		3.5L V8 16v OHV EFI	23D	Alt. - Micro-V Belt (From 92-94)	4PK1270
					Alt. - V-Belt (to 1992)	10A0675
					AC	13A0990
					Fan	13A0990
					PS	13A0940
RANGE ROVER	1986-95		2.4L 4 Cyl. 8v OHV Turbo EFI	11A	Alt. & Fan	13A0990
					AC	13A0990
					PS	13A0940
RANGE ROVER	1986-88		3.9L V8 16v OHV EFI	37D	Alt. - Micro-V Belt (From 92-94)	4PK1270
					Alt. - V-Belt (to 1992)	10A0675
					AC	13A0990
					Fan	13A0990
					PS	13A0940
					Tensioner	38246
RANGE ROVER	1986-88		3.9L V8 16v OHV EFI	38D	Alt. - Micro-V Belt (From 92-94)	4PK1270
					Alt. - V-Belt (to 1992)	10A0675
					AC	13A0990
					Fan	13A0990
					PS	13A0940
					Tensioner	38246
RANGE ROVER	1989-95		3.9L V8 16v OHV EFI	35D	Alt. - Micro-V Belt (From 92-94)	4PK1270
					Alt. - V-Belt (to 1992)	10A0675
					AC	13A0990
					Fan	13A0990
					PS	13A0940
					Tensioner	38246
RANGE ROVER	1989-95		4.0L V8 16v OHV EFI	38D	Serp. - w/ AC	7PK2090
					Tensioner	38246
RANGE ROVER	1994-99		3.9L V8 16v OHV EFI	36D	Tensioner	38246
RANGE ROVER	1995-00		4.0L V8 16v OHV EFI	44D	Serp. - w/ AC	7PK2090
					Tensioner from Ch. # XA410482	38245
RANGE ROVER	1995-00		4.6L V8 16v OHV EFI	48D	Serp. - w/ AC	7PK2090
					Tensioner from Ch. # - wA410481	38245
					Tensioner from Ch. # XA410482	38245
RANGE ROVER	1997-99		4.6L V8 16v OHV MPFI	60D	Serp. - w/ AC	7PK2090
					Tensioner from Ch. # - wA410481	38245
					Tensioner from Ch. # XA410482	38245
RANGE ROVER	1999-03	S	4.0L V8 16v OHV EFI	44D	Serp. - w/ AC	7PK2090
					Tensioner from Ch. # XA410482	38245
RANGE ROVER	1999-01		4.0L V8 16v OHV EFI	58D	Serp. - w/ AC	7PK2090
					Tensioner from Ch. # XA410482	38245
Series 2A	1961-72		2.25L 8v OHV Carb.	2.25	Alt. (46kw)	11A1030
					Alt. (51kw)	11A1055

Model	Year	Variant	Engine	Engine Code	Description	Part Number
LAND ROVER CONTINUED						
Series 3	1972-80		2.25L 4 Cyl. 8v OHV Carb.	2.25	Alt.	11A1030
					AC & PS	13A0800
					PS	13A0750
Series 3	1972-80		2.25L 4 Cyl. 8v OHV Diesel	2.25	Alt. - w/ AC	11A1055
					Alt. - w/o AC	11A1030
					AC & PS	13A0800
					PS	13A0750
					VAC Pump	10A0675
Series 3	1972-80		2.6L 4 Cyl. 12v OHV Carb.	2.6	Alt.	13A1080
					AC & PS	13A0800
					Gen. Auto. Trans.	13A1090
LEXUS						
ES300	1992-96	VCV10	3.0L V6 24v DOHC EFI	3VZFE	Alt. & AC	6PK1050
					PS	4PK815
ES300	1996-01	MCV20	3.0L V6 24v DOHC EFI	1MZFE	Alt. & AC	6PK1035
					PS	4PK875
ES300	2001-06	MCV30	3.0L V6 24v DOHC EFI	1MZFE	Alt. & AC	6PK1035
					PS	4PK875
GS300	1995-04	JZS147	3.0L 6 Cyl. 24v DOHC EFI	2JZGE	Alt.	6PK1230
					Tensioner	38170
GS300	1997-04	JZS160	3.0L 6 Cyl. 24v DOHC EFI	2JZGE	Alt.	6PK1230
					Tensioner	38170
GS300	2005-07	GRS190	3.0L V6 24v DOHC Direct Inj.	3GRFSE	Idler	36173
GS430	2005-07	UZS190	4.3L V8 32v DOHC EFI	3UZFE	Tensioner	38173
					Tensioner Pulley 90mm OD	38001
					Tensioner Pulley	36119
IS200	1999-05	GXE10	2.0L 6 Cyl. 24v DOHC EFI	1GFE	Alt.	4PK1080
					AC	4PK900
					PS	3PK895
IS300	2001-05	JCE10	3.0L 6 Cyl. 24v DOHC EFI	2JZGE	Serp.	6PK1930
					Tensioner	38170
IS350	2005-06	GSE21	3.5L V6 24v DOHC Direct Inj.	2GRFE	Idler	36173
LS400	1989-94	UCF10	4.0L V8 32v DOHC EFI	1UZFE	Serp. - w/ AC	6PK2250
					Serp. - w/o AC	6PK2230
					Tensioner	38173
					Tensioner Pulley 90mm OD	38001
					Tensioner Pulley	36119
LS400	1989-94	UCF10	4.0L V8 32v DOHC EFI	1UZFE	Serp. - w/ AC	6PK2250
					Serp. - w/o AC	6PK2230
					Tensioner	38173
					Tensioner Pulley 90mm OD	38001
					Tensioner Pulley	36119
LS400	1994-00	UCF20	4.0L V8 32v DOHC EFI	1UZFE	Serp. - w/ AC	6PK2250
					Serp. - w/o AC	6PK2230
					Tensioner	38173
					Tensioner Pulley 90mm OD	38001
					Tensioner Pulley	36119

* = NZ Vehicles Only

Model	Year	Variant	Engine	Engine Code	Description	Part Number
LEXUS CONTINUED						
LS400	1994-98	UCF21	4.0L V8 32v DOHC EFI	1UZFE	Serp. - w/ AC	6PK2250
					Serp. - w/o AC	6PK2230
					Tensioner	38173
					Tensioner Pulley 90mm OD	38001
					Tensioner Pulley	36119
LS430	2000-07	UCF30	4.3L V8 32v DOHC EFI	3UZFE	Serp.	6PK2250
					Tensioner	38173
					Tensioner Pulley 90mm OD	38001
					Tensioner Pulley	36119
LX470	1998-07	UZJ100R	4.7L V8 32v DOHC EFI	2UZFE	Serp.	6PK2250
					Tensioner	38173
					Tensioner Pulley 90mm OD	36119
					Tensioner Pulley 100mm OD	38026
RX330	2003-06	MCU38	3.3L V6 24v DOHC EFI	3MZFE	Alt. & AC	6PK1040
					PS	4PK880
RX350	2006-07	GSU35	3.5L V6 24v DOHC EFI	2GRFE	Idler	36173
SC430	2001-08	UZZ40	4.3L V8 32v DOHC EFI	3UZFE	Tensioner Pulley 90mm OD	36119
					Tensioner Pulley 100mm OD	38026
LEYLAND						
MARINA	1973-75		2.6L 6 Cyl. 12v SOHC Carb.	E Series	Fan & Gen.	13A0865
MINI	1967-82	CLUBMAN	1.0L 4 Cyl. 8v OHV Carb.	A Series	Alt. & Fan	11A0825
					Air Pump	11A0660
					Fan & Gen.	11A0815
MINI	1967-82	CLUBMAN	1.1L 4 Cyl. 8v OHV Carb.	A Series	Alt. & Fan	11A0825
					Air Pump	11A0660
					Fan & Gen.	11A0815
MINI	1967-69	CLUBMAN GT	1.3L 4 Cyl. 8v OHV Carb.	A Series	Alt. & Fan	11A0825
					Air Pump	11A0660
					Fan & Gen.	11A0815
MINI	1967-82	CLUBMAN	1.0L 4 Cyl. 8v OHV Carb.	A Series	Alt. & Fan	11A0825
					Air Pump	11A0660
					Fan & Gen.	11A0815
MINI	1967-82	CLUBMAN	1.1L 4 Cyl. 8v OHV Carb.	A Series	Alt. & Fan	11A0825
					Air Pump	11A0660
					Fan & Gen.	11A0815
P76	1973-76	P76	2.6L 6 Cyl. 12v SOHC Carb.	2.6	Alt. & Fan/Gen.	13A0865
P76	1973-76	P76	4.4L V8 16v OHV Carb.	4.4	Alt. & Fan	11A0990
					AC	13A1090
					PS	13A0865
PRINCESS	1978-79		1.8L 4 Cyl. 8v OHV Carb.	B Series	Alt. & Fan	11A0990
					PS	11A0965
SHERPA	1978-79		1.7L 4 Cyl. 8v SOHC Carb.	O Series	Alt. & Fan	11A0865
MAHINDRA						
S5	1989-91	STOCKMAN	2.1L 4 Cyl. 8v SOHC EFI Diesel	DK	Alt. & Fan	11A0890

* = NZ Vehicles Only

Model	Year	Variant	Engine	Engine Code	Description	Part Number
MAZDA						
121	1975-77	CD2VC	1.8L 4 Cyl. 8v SOHC Carb.	VC	Alt. & Fan	13A0980
121	1977-78	CD3MC	2.0L 4 Cyl. 8v SOHC Carb.	MA	Alt. & Fan	13A0990
121	1987-90	DA1S	1.1L 4 Cyl. 8v SOHC Carb.	B1	Alt. & WP	11A0890
121	1987-91	DA3S	1.3L 4 Cyl. 8v SOHC Carb.	B3	Alt. & WP	11A0875
					AC	13A0915
121	1990-98	DB3P	1.3L 4 Cyl. 16v SOHC EFI	B3	Alt. & WP	4PK875
					AC & PS	4PK960
					PS - w/o AC	4PK840
121	1993-97	DB5P	1.5L 4 Cyl. 16v SOHC EFI	B5	Alt. & WP	4PK875
					AC & PS	4PK960
					PS - w/o AC	4PK840
121	1996-02	Metro	1.3L 4 Cyl. 16v SOHC EFI	B3M1	Alt. & WP (2 Belts)	4PK875
					AC & PS	4PK960
					PS - w/o AC	4PK840
121	1996-02	Metro	1.5L 4 Cyl. 16v SOHC EFI	B5	Alt. & WP (2 Belts)	4PK875
					AC & PS	4PK960
					PS - w/o AC	4PK840
1300	1970-78	STB	1.3L 4 Cyl. 8v SOHC Carb.	TC	Alt. & Fan	11A0815
1600	1977-78		1.6L 4 Cyl. 8v SOHC Carb.	NA	Fan & Gen.	13A0980
323	1977-86	FA	1.3L 4 Cyl. 8v SOHC Carb.	TC	Alt. & WP	11A0785
323	1977-82	FA	1.4L 4 Cyl. 8v SOHC Carb.	UC	Alt.	11A0785
323	1980-86	BD	1.5L 4 Cyl. 8v SOHC Carb.	E5	Alt. & WP	11A0965
					AC & PS	4PK1195
					AC - w/o PS - 1130mm Belt	11A1130
					PS	4PK1040
323	1980-85	BD103	* 1.3L 4 Cyl. 8v SOHC Carb.	E3	Alt. & WP	11A0965
					AC & PS	4PK1195
					AC - w/o PS - 940mm Belt	11A0940
					AC - w/o PS - 1130mm Belt	13A1130
					PS	4PK1040
323	1982-86	FA45V	1.5L 4 Cyl. 8v SOHC Carb.	D5	Alt. & WP	13A1125
					Alt.	11A0965
					AC & PS	4PK1180
323	1984-87	BF3P	* 1.3L 4 Cyl. 8v SOHC Carb.	E3	Alt. & WP	11A0965
					AC & PS	4PK1195
					AC - w/o PS - 940mm Belt	11A0940
					AC - w/o PS - 1130mm Belt	13A1130
					PS	4PK1040
323	1985-89	BF	1.5L 4 Cyl. 8v SOHC Carb.	E5	Alt. & WP	11A0965
					AC & PS	4PK1195
					AC - w/o PS - 1130mm Belt	11A1130
					PS	4PK1040
323	1985-90	BF	1.6L 4 Cyl. 8v SOHC EFI	B6	Alt. & WP	11A0890
					AC	13A0940
323	1985-89	BF6P	1.6L 4 Cyl. 8v SOHC Carb.	B6	Alt. & WP	11A0900
					AC & PS	4PK980
					AC	13A0890
					PS - w/o AC	4PK875

* = NZ Vehicles Only

Model	Year	Variant	Engine	Engine Code	Description	Part Number
MAZDA CONTINUED						
323	1985-89	BF6S	1.6L 4 Cyl. 8v SOHC Carb.	B6	Alt. & WP	11A0900
					AC & PS	4PK980
					AC - w/o PS	13A0890
					PS - w/o AC	4PK875
323	1985-88	BW3W	* 1.3L 4 Cyl. 8v SOHC Carb.	E3	Alt. & WP	11A0965
					AC & PS	4PK1195
					AC - w/o PS - 940mm Belt	11A0940
					AC - w/o PS - 1130mm Belt	13A1130
					PS	4PK1040
323	1986-90	BW	* 1.5L 4 Cyl. 8v SOHC Carb.	E5	Alt. & WP	11A0965
					AC & PS	4PK1195
					AC - w/o PS - 1130mm Belt	11A1130
					PS	4PK1040
323	1987-89	BF	1.6L 4 Cyl. 16v DOHC Turbo EFI	B6T	Alt. & WP	11A0900
					AC & PS	4PK980
					AC - w/o PS	13A0940
					PS - w/o AC	4PK875
323	1987-89	BF6S	1.6L 4 Cyl. 8v SOHC EFI	B6	Alt. & WP	11A0900
					AC & PS	4PK980
					AC - w/o PS	13A0940
					PS	4PK875
323	1989-95	BG	1.8L 4 Cyl. 16v DOHC EFI	BP	Alt. & WP	13A0900
					PS - w/o AC	4PK885
323	1994-98	ASTINA (BA)	1.8L 4 Cyl. 16v DOHC EFI	BPZE	Alt. & WP	4PK885
					AC & PS	4PK1000
					AC - w/o PS	4PK890
					PS	4PK890
323	1994-98	ASTINA (BA)	2.0L V6 24v DOHC EFI	KF	Alt. - w/ AC	5PK1015
					Alt. - w/o AC	5PK865
					PS	4PK925
					Tensioner	36228
323	1994-98	PROTÉGÉ (BA)	1.6L 4 Cyl. 16v DOHC EFI	B6	Alt. & WP	13A0900
					AC & PS	4PK1005
					AC - w/o PS	4PK875
					PS - w/o AC	4PK885
323	1994-98	ASTINA (BA)	1.8L 4 Cyl. 16v DOHC EFI	BPZE	Alt. & WP	13A0900
					AC & PS	4PK1005
					AC - w/o PS	4PK875
					PS - w/o AC	4PK885
323	1998-02	ASTINA (BJ)	1.6L 4 Cyl. 16v DOHC EFI	ZM	Alt.	4PK925
					AC & PS	5PK1040
					AC	5PK1165
323	1998-04	ASTINA (BJ)	1.8L 4 Cyl. 16v DOHC EFI	FP	Alt.	4PK925
					AC	5PK1165
					PS	5PK1040
323	1998-02	ASTINA (BJ)	1.6L 4 Cyl. 16v DOHC EFI	ZM	Alt.	4PK925
					PS	5PK1040

* = NZ Vehicles Only

Model	Year	Variant	Engine	Engine Code	Description	Part Number
MAZDA CONTINUED						
323	2001-04	ASTINA (BJ)	2.0L 4 Cyl. 16v DOHC EFI	FS	Alt.	4PK925
					PS - w/ AC	5PK1165
					PS - w/o AC	5PK1040
626	1978-83	CB	2.0L 4 Cyl. 8v SOHC Carb.	MA	Alt. & Fan - w/ AC	13A0940
					Alt. & Fan - w/o AC	13A0990
					AC	13A0925
626	1983-87	GC	2.0L 4 Cyl. 8v SOHC Carb.	FE	Alt.	4PK640
					Alt. & AC	4PK600
					Alt. & PS - w/ AC	5PK1015
					Alt. & PS - w/o AC	5PK975
					Alt. - w/o PS & AC	4PK875
					Alt. & AC - w/o PS	4PK815
					AC & PS	5PK1050
					AC	5PK940
					AC - w/o PS	5PK955
626	1983-87	GC	2.0L 4 Cyl. 8v SOHC Turbo Carb.	FET	Alt. & PS	5PK1010
					Alt.	4PK875
					Alt. & PS - w/o AC	5PK1015
					AC & PS	5PK1050
626	1987-93	GD	2.2L 4 Cyl. 12v SOHC EFI	F2	Alt.	3PK760
					AC & PS	5PK1065
					PS - w/o AC	5PK1015
626	1987-92	GD	2.2L 4 Cyl. 12v SOHC Turbo EFI	F2T	Alt.	3PK760
					AC & PS	5PK1065
					PS - w/o AC	5PK1015
626	1988-97	GV	2.2L 4 Cyl. 12v SOHC EFI	F2	Alt.	3PK760
					AC & PS	5PK1065
					PS - w/o AC	5PK1015
626	1991-97	GE	2.0L 4 Cyl. 16v DOHC EFI	FSDE	Alt. & WP	4PK925
					AC & PS	5PK1165
					PS - w/o AC	5PK1015
626	1991-97	GE	2.5L V6 24v DOHC EFI	KL	Alt. & AC	5PK1015
					Alt. - w/o AC	5PK855
					PS	4PK925
					Tensioner	36228
626	1995-98	GE	2.2L 4 Cyl. 12v SOHC EFI	F2	Alt.	3PK760
					AC & PS	5PK1065
					PS - w/o AC	5PK1015
626	1997-02	GF	2.0L 4 Cyl. 16v DOHC EFI	FSDE	Alt. & WP	4PK925
					AC & PS	5PK1165
					PS - w/o AC	5PK1015
626	1998-01	GW	2.0L 4 Cyl. 16v DOHC EFI	FS	Alt. & WP	4PK925
					AC & PS	5PK1165
					PS - w/o AC	5PK1015
808	1972-77	SAVANNA	1.3L 4 Cyl. 8v SOHC Carb.	TC	Alt.	11A0800
					Fan & Gen.	11A0815
929	1973-78	LA	1.8L 4 Cyl. 8v SOHC Carb.	VC	Alt. & Fan	13A0980

* = NZ Vehicles Only

Model	Year	Variant	Engine	Engine Code	Description	Part Number
MAZDA CONTINUED						
929	1978-84	HB	2.0L 4 Cyl. 8v SOHC Carb.	MA	Alt. & Fan - w/ AC	13A0940
					Alt. & Fan - w/o AC	13A0980
					AC	13A0925
					Air Pump	13A1060
					PS	13A0870
929	1983-87	HB	2.0L 4 Cyl. 8v SOHC Carb.	FE	Alt. & Fan	13A0750
					AC	13A0925
					PS	13A0850
929	1984-87	HB	2.0L 4 Cyl. 8v SOHC EFI	FE	Alt. & Fan	13A0750
					AC	13A0925
					PS	13A0850
929	1986-87	HB	2.0L 4 Cyl. 16v DOHC Turbo Carb.	FET	Alt.	13A0750
					AC	13A0925
					PS	13A0850
929	1986-91	HC	3.0L V6 18v SOHC EFI	JF	Alt. & Fan - Micro-V Belt	4PK1015
					Alt. & Fan - V-Belt	13A0990
					AC - Micro-V Belt	5PK975
					AC - V-Belt	13A0980
					PS - Micro-V Belt	4PK915
					PS - V-Belt	13A0940
929	1987-91	HC	3.0L V6 24v DOHC EFI	JE	Alt.	13A0990
					AC	13A0980
					PS	13A0950
929	1991-97	HD	3.0L V6 24v DOHC EFI	JEZE	Alt. - Micro-V Belt	4PK1015
					Alt. - V-Belt	13A1040
					AC - Micro-V Belt	5PK975
					AC - V-Belt	13A1015
					PS - Micro-V Belt	4PK915
					PS - V-Belt	13A0950
					Idler Pulley - 1992-93	38036
					Idler Pulley - 1995-97 - w/ PS	38031
929	1995-98	HE	3.0L V6 24v DOHC EFI	JEZE	Alt. - Micro-V Belt	4PK1015
					Alt. - V-Belt	13A1040
					AC - Micro-V Belt	5PK975
					AC - V-Belt	13A1015
					PS - Micro-V Belt	4PK915
					PS - V-Belt	13A0950
					Idler Pulley - 1992-93 - w/ PS	38036
					Idler Pulley - 1995-97 - w/ PS	38031
B1600	1972-85		1.6L 4 Cyl. 8v SOHC Carb.	NA	Alt. & Fan	13A0925
B1800	1972-83		1.8L 4 Cyl. 8v SOHC Carb.	VC	Alt. & Fan	13A0925
B2000	1980-85		2.0L 4 Cyl. 8v SOHC Carb.	MA	Alt. & Fan	13A0980
					Air Pump	13A0800
					AC	13A0940
					PS	13A0735
B2000	1985-88		2.0L 4 Cyl. 8v SOHC Carb.	FE	Alt. & Fan	13A0980
					AC	13A0940
					PS	13A0735

Model	Year	Variant	Engine	Engine Code	Description	Part Number
MAZDA CONTINUED						
B2200	1981-85		2.2L 4 Cyl. 8v SOHC Diesel	S2	Alt. & Fan	13A1120
					AC	13A0915
B2200	1985-91		2.2L 4 Cyl. 8v SOHC Diesel	R2	Alt.	13A1085
					AC	13A0915
B2200	1988-97		2.2L 4 Cyl. 8v SOHC Carb.	F2	Alt. & Fan	13A0980
					AC	13A0950
B2500	1996-99		2.5L 4 Cyl. 12v SOHC Diesel	WL	Tensioner	38155
					Tensioner Pulley	38006
					Idler Pulley	38001
B2600	1987-89		2.6L 4 Cyl. 8v SOHC Carb.	4G54	Alt.	11A0940
					AC	11A1055
					PS	13A0710
BRAVO	1990-98	B2600	2.6L 4 Cyl. 12v SOHC EFI	G6	Alt. & Fan	13A1065
					AC	13A1200
					PS	13A0940
					Idler Pulley	38037
BRAVO	1991-96		2.2L 4 Cyl. 8v SOHC Diesel	R2	Alt.	13A1085
					AC	13A0915
					PS	13A0710
BRAVO	1996-02	B2500	2.5L 4 Cyl. 12v SOHC Diesel	WL	Alt.	13A1100
					AC	13A1030
BRAVO	1999-06	B2500	2.5L 4 Cyl. 12v SOHC Turbo Diesel	WLT	Alt.	13A1100
					AC	13A1030
					Tensioner	38155
					Tensioner Pulley	38006
					Idler Pulley	38001
BT50	2006-09	B2500	2.5L 4 Cyl. 12v SOHC Turbo Diesel	WLT	Alt.	13A1100
					AC	13A0975
BT50	2006-09	B3000	3.0L 4 Cyl. 16v DOHC Turbo Direct Inj. Diesel	WEAT	Alt.	13A1100
					AC	13A0975
CAPELLA	1970-77		1.6L 4 Cyl. 8v SOHC Carb.	NA	Alt.	13A0980
CAPELLA	1982-87		1.6L 4 Cyl. 8v SOHC Carb.	F6	Alt. - w/ AC - 3-Rib Belt	3PK760
					Alt. - w/ AC - 4-Rib Belt	4PK605
					Alt. & PS - w/o AC	5PK975
					Alt. - w/o PS, w/o AC	4PK815
					AC & PS	5PK1055
					AC - w/o PS	5PK955
CAPELLA	1982-87		1.8L 4 Cyl. 8v SOHC Carb.	F8	Alt. - w/ AC 3-Rib Belt	3PK760
					Alt. - w/ AC - 4-Rib Belt	4PK605
					Alt. & PS - w/o AC	5PK975
					Alt. - w/o PS, w/o AC	4PK815
					AC & PS	5PK1055
					AC - w/o PS	5PK955

* = NZ Vehicles Only

Model	Year	Variant	Engine	Engine Code	Description	Part Number
MAZDA CONTINUED						
CAPELLA	1982-85		* 2.0L 4 Cyl. 8v SOHC Carb.	FE	Alt. - w/ AC - 3-Rib Belt	3PK760
					Alt. - w/ AC - 4-Rib Belt	4PK605
					Alt. & PS - w/o AC	5PK975
					Alt. - w/o PS, w/o AC	4PK815
					AC & PS	5PK1055
					AC - w/o PS	5PK955
					Tensioner	36228
CAPELLA	1984-98		2.0L 4 Cyl. 8v SOHC Diesel	RF	Alt.	13A0915
					PS	13A1040
CAPELLA	1987-93		1.8L 4 Cyl. 12v SOHC EFI	F8	Alt. - w/ AC - 3-Rib Belt	3PK760
					Alt. - w/ AC - 4-Rib Belt	4PK635
					Alt. - w/o PS, w/o AC	4PK865
					AC & PS	5PK1055
					AC - w/o PS	5PK940
CAPELLA	1987-98		* 2.0L 4 Cyl. 16v DOHC EFI	FE	Alt. - w/ AC - 3-Rib Belt	3PK760
					Alt. - w/ AC - 4-Rib Belt	4PK635
					Alt. - w/o PS, w/o AC	4PK865
					AC & PS	5PK1055
					AC - w/o PS	5PK940
CAPELLA	1997-01		* 2.5L V6 24v DOHC EFI	KL	Tensioner	36228
CRONOS	1992-95		2.5L V6 24v DOHC EFI	KL	Tensioner	36228
E1300	1978-80		1.3L 4 Cyl. 8v SOHC Carb.	TC	Alt.	11A0815
E1400	1980-83		1.4L 4 Cyl. 8v SOHC Carb.	UC	Alt. & Fan	11A0815
E1400	1984-88		1.5L 4 Cyl. 8v SOHC Carb.	D5	Alt. & Fan - w/ AC	13A0955
					Alt. & Fan - w/o AC	13A1005
E1600	1978-84		1.6L 4 Cyl. 8v SOHC Carb.	NA	Alt. & Fan	13A0925
E1800	1984-87		1.8L 4 Cyl. 8v SOHC Carb.	F8	Alt.	13A0990
					AC	13A0915
E1800	1990-96		1.8L 4 Cyl. 12v SOHC Carb.	F8	Alt.	13A0990
					AC	13A0915
E2000	1984-03		2.0L 4 Cyl. 8v SOHC Carb.	FE	Alt. - wgn, Van	13A0940
					Alt. - Pick-up	13A0990
					AC	13A0950
					PS	13A0775
E2000	1999-07		2.0L 4 Cyl. 8v SOHC EFI	FE	Alt.	13A0940
					AC	13A0940
					PS	13A0775
E2200	1981-84		2.2L 4 Cyl. 8v SOHC Diesel	S2	Alt.	13A1125
					AC	13A0915
					PS	13A0875
E2200	1984-97		2.2L 4 Cyl. 8v SOHC Diesel	R2	Alt.	13A1085
					AC	13A0915
					PS	13A0875
E2500	1997-03		2.5L 4 Cyl. 12v SOHC Diesel	WL	Alt.	13A1100
					AC	13A1030

Model	Year	Variant	Engine	Engine Code	Description	Part Number
MAZDA CONTINUED						
FAMILIA	1984-94		1.3L 4 Cyl. 8v SOHC Carb.	E3	Alt. & Fan	11A0965
					AC & PS	4PK1195
					AC - w/o PS	13A1130
					PS - w/o AC	4PK1040
FAMILIA	1985-96		* 1.7L 4 Cyl. 8v SOHC Diesel	PN	Alt. & WP	13A0840
					AC	15A0945
					PS - w/ AC	13A1040
FAMILIA	1986-89		* 1.3L 4 Cyl. 8v SOHC EFI	B3	Alt. & WP	13A0915
					AC & PS	4PK1005
					AC - w/o PS	4PK875
FAMILIA	1989-96		* 1.3L 4 Cyl. 16v SOHC EFI	B3	Alt. & WP	13A0915
					AC & PS	4PK1005
					AC - w/o PS	4PK875
LUCE	1983-86		1146cc 2 Rotor Carb.	12AGRE	AC	13A1065
					AP	11A0825
					PS	13A0940
LUCE	1984-87		2.0L 4 Cyl. 8v SOHC Carb.	FE	Alt. & Fan	13A0925
					AC	13A0915
					PS	13A0840
LUCE	1986-91		2.0L V6 12v SOHC EFI	JF	Alt. & Fan	13A0990
					AC	13A1015
					PS	13A0990
MAZDA 2	2002-07	DE	1.5L 4 Cyl. 16v DOHC	ZY	Serp.	6PK1865
MAZDA 2	2007-09	DY	1.5L 4 Cyl. 16v DOHC	ZY	Serp.	6PK1865
MAZDA 3	2004-09		2.0L 4 Cyl. 16v DOHC EFI	LFDE	Alt.	6PK1300
					AC	5PK7165F
					SF Inst. Tool	SFT001
MAZDA 3	2004-07		2.3L 4 Cyl. 16v DOHC EFI	L3	Serp.	6PK2300
MAZDA 3	2006-09		2.0L 4 Cyl. 8v DOHC Turbo EFI	RF	Serp.	6PK2300
MAZDA 6	2003-07	GG	2.3L 4 Cyl. 16v DOHC EFI	L3	Serp.	6PK2300
					Tensioner	38408
MAZDA 6	2003-07	GG	2.3L 4 Cyl. 16v DOHC EFI	L3	Serp.	6PK2300
					Tensioner	38408
MILLENIA	1995-01		2.5L V6 24v DOHC EFI	KL	Tensioner	36228
MILLENIA	1998-00		2.0L V6 24v DOHC EFI	KF	Tensioner	36228
MILLENIA	2000-02		2.3L V6 24v DOHC EFI	KJ	Serp.	8PK1640
					AC	7PK1605
MPV	1993-99	LV10	3.0L V6 18v SOHC EFI	JE	Alt.	13A1005
					AC	13A0980
					PS	13A0925
MPV	1999-02	LW10	2.5L V6 24v DOHC EFI	GY	Serp.	6PK2095
					WP	11A0685
MS6	1991-94		2.0L V6 24v DOHC EFI	KF	Tensioner	36228
MS8	1992-97		2.0L V6 24v DOHC EFI	KF	Tensioner	36228
MS8	1992-96		2.5L V6 24v DOHC EFI	KL	Tensioner	36228
MX5	1989-93	NA	1.6L 4 Cyl. 16v DOHC EFI	B6ZE	Alt. & WP	13A0900
					AC & PS	4PK940
					AC - w/o AC & PS	4PK850
MX5	1993-98	NA	1.8L 4 Cyl. 16v DOHC EFI	BP	Alt. & WP	4PK885
					AC & PS	4PK950

* = NZ Vehicles Only

Model	Year	Variant	Engine	Engine Code	Description	Part Number
MAZDA CONTINUED						
MX5	1998-05	NA	1.8L 4 Cyl. 16v DOHC EFI	B8	Alt.	3PK895
					PS - w/ AC	4PK955
					PS - w/o AC	4PK855
MX5	1998-05	NB	1.8L 4 Cyl. 16v DOHC EFI	BP	Alt.	3PK895
					PS - w/ AC	4PK950
					PS - w/o AC	4PK855
MX6	1988-92	GD	2.2L 4 Cyl. 12v SOHC Turbo Carb.	F2T	Alt.	3PK760
					AC & PS	5PK1060
					PS - w/o AC	5PK1015
MX6	1991-98	GE	2.5L V6 24v DOHC EFI	KL	Alt. & AC	5PK1015
					Alt. - w/o AC	5PK855
					PS & WP	4PK925
					Tensioner	36228
MX6	1991-96		2.0L V6 24v DOHC EFI	KF	Tensioner	36228
PREMACY	2001-02		1.8L 4 Cyl. 16v DOHC EFI	FP	Alt.	4PK925
					AC & PS	5PK1165
PREMACY	2002-03		2.0L 4 Cyl. 16v DOHC EFI	FS	Alt.	4PK925
					AC & PS	5PK1165
PROCEED	1990-98	UF66M	2.6L 4 Cyl. 12v SOHC EFI	G6	Alt. & Fan	13A1065
					AC	13A1180
					PS	13A0940
RX2	1970-75	S122A	1146cc 2 Rotor Carb.	12A	Fan & Gen.	11A0850
RX3	1972-74	S102A	982cc 2 Rotor Carb.	10A	Fan & Gen.	11A0850
RX3	1974-79		1146cc 2 Rotor Carb.	12A	Fan & Gen.	11A0850
RX4	1974-79	LA	1146cc 2 Rotor Carb.	12A	Fan & Gen.	11A0825
RX5	1976-79	CD	1146cc 2 Rotor Carb.	12A	Fan & Gen.	11A0800
					AC	13A1005
					PS	13A0925
RX7	1978-86	SA	1146cc 2 Rotor	12A	Alt. & Fan	11A0800
					AC - From Ch. # 650001	13A1040
					AC - To Ch. # 650000	13A1065
					AP	11A0915
RX7	1985-91	FC	1308cc 2 Rotor Turbo EFI	13BT	Alt. & Fan	11A0800
					AC	13A0975
					AP	11A0965
					PS	13A1050
RX7	1989-92	FC	1308cc 2 Rotor	13B	Alt. & Fan	11A0800
					AC	13A0975
					AP	11A0965
					PS	13A1050
RX7	1992-97	FD	1308cc 2 Rotor Twin Turbo EFI	13BT	Alt. & AP - w/ Man. Trans	5PK1345
					AC & PS	6PK1050
RX8	2003-07		1.3L 2 Rotor EFI	13B	AC	4PK775
					Alt.	5PK825
SENTIA	1991-99	HD5S	* 2.5L V6 24v DOHC EFI	J5DE	Alt.	4PK1015
					AC	13A0990
					PS	13A0925

Model	Year	Variant	Engine	Engine Code	Description	Part Number
MAZDA CONTINUED						
SENTIA	1991-00	HDES	* 3.0L V6 24v DOHC EFI	JEZE	Alt.	4PK1015
					AC	13A0990
					PS	13A0925
T2000	1981-85	WE	2.0L 4 Cyl. 8v SOHC Carb.	VA	Alt.	13A0940
T3000	1981-85	WE	3.0L 4 Cyl. 8v OHV Diesel	HA	Alt. - w/ AC	13A1105
					Alt. - w/o AC	13A1080
					AC	13A0875
					PS	13A0990
T3000	1982-85	WV	3.0L 4 Cyl. 8v OHV Diesel	HA	Alt. - w/ AC	13A1105
					Alt. - w/o AC	13A1080
					AC	13A0875
					PS	13A0990
T3500	1984-90	WE	3.5L 4 Cyl. 8v OHV Diesel	SL	Alt.	13A1120
					AC	13A0875
					PS	13A0865
T3500	1984-96	WV	3.5L 4 Cyl. 8v OHV Diesel	SL	Alt.	13A1120
					AC	13A0875
					PS	13A0865
T3500	1989-00	WG	3.5L 4 Cyl. 8v OHV Diesel	SL	Alt.	13A1120
					AC	13A0875
					PS	13A0865
T4000	1989-01	WG	4.0L 4 Cyl. 8v OHV Diesel	TF	Alt.	15A1175
					AC	13A0875
T4100	1984-89	WE	4.1L 6 Cyl. 12v OHV Diesel	ZB	Alt.	15A1175
					AC	13A0875
					PS	13A0870
T4600	1992-03	WG	4.6L 4 Cyl. 8v OHV Diesel	TM	Alt.	15A1175
					AC	13A0875
T4600	1999-03	WH	4.6L 4 Cyl. 8v OHV Diesel	TM	Alt.	15A1175
					AC	13A0875
TRIBUTE	2001-04	YU	2.0L 4 Cyl. 16v DOHC EFI	YF	Serp.	6PK2100
TRIBUTE	2001-07	YU	3.0L V6 24v DOHC EFI	AJ	Serp.	6PK2095
					WP	3PK680
					Tensioner	38186
					Tensioner Pulley	38008
					Idler Pulley	38018
TRIBUTE	2004-08		2.3L 4 Cyl. 16v DOHC EFI	L3	Serp.	6PK2300
MERCEDES-BENZ						
180E	1990-94	W201	1.8L 4 Cyl. 8v SOHC EFI	M102.910	Serp.	6PK1980
190D	1984-93	W201	2.5L 5 Cyl. 20v DOHC Diesel	OM602.911	Serp.	6PK2095
					Tensioner Pulley	38048
					Idler	38048
190E	1983-93	W201	2.0L 4 Cyl. 8v SOHC EFI	M102.962	Serp.	6PK1980
					PS	13A0750
					Idler Pulley	38048
190E	1987-94	W201	2.6L 6 Cyl. 12v SOHC EFI	M103.942	Serp.	6PK2415
					Tensioner Pulley	38047
					Idler	38047
190E	1990-92	W201	2.3L 4 Cyl. 8v SOHC EFI	M102.985	Serp.	6PK1980
					Idler Pulley	38048

* = NZ Vehicles Only

Model	Year	Variant	Engine	Engine Code	Description	Part Number
MERCEDES-BENZ CONTINUED						
190E	1990-94	W201	1.8L 4 Cyl. 8v SOHC EFI	M102.910	Serp.	6PK1980
220E	1993-95	W124	2.2L 4 Cyl. 16v DOHC EFI	M111.960	Serp.	6PK2145
230	1974-76	W115	2.3L 4 Cyl. 8v SOHC Carb	M115.951	Alt.	11A0900
230	1976-85	W123	2.3L 4 Cyl. 8v SOHC EFI	M115.954	Alt.	11A0965
					PS	13A0750
230E	1980-85	W123	2.3L 4 Cyl. 8v SOHC EFI	M102.982	Alt.	11A1005
					AC	13A0870
					PS	13A0750
230E	1985-93	W124	2.3L 4 Cyl. 8v SOHC EFI	M102.982	Serp.	6PK1975
					Tensioner Pulley	38048
					Idler Pulley	38048
230GE	1986-89	W460	2.3L 4 Cyl. 8v SOHC EFI	M102.982	Serp.	6PK1980
230TE	1981-86	S124	2.3L 4 Cyl. 8v SOHC EFI	M102.980	Alt.	11A1005
					AC	13A0875
					PS	13A0750
					Idler Pulley	38048
230TE	1986-89	S123	2.3L 4 Cyl. 8v SOHC EFI	M102.982	Serp.	6PK1980
					Idler Pulley	38048
240D	1976-86		2.4L 4 Cyl. 8v SOHC Diesel	OM616.912	Alt.	13A1030
					AC	13A1375
					PS	13A1145
250	1976-81	W115	2.5L 6 Cyl. 12v SOHC Carb	2.5	AC	13A1320
					PS	13A0825
250C	1973-76	C115	2.8L 6 Cyl. 12v SOHC Carb	2.8	AC	13A1320
					PS	13A0750
260E	1986-93	W124	2.6L 6 Cyl. 12v SOHC Carb	M103.942	Serp.	6PK2250
					Tensioner	38263
					Tensioner Pulley	38047
					Idler	38047
280C	1972-74	C115	2.8L 6 Cyl. 24v DOHC Carb	2.8	Alt. & Fan - 965mm Belt	11A0965
					AC	13A1285
					PS	13A0825
280CE	1977-85	C123	2.7L 6 Cyl. 24v DOHC EFI	M110.984	Alt. - 950mm Belt.	11A0950
					Alt. - 980mm Belt	11A0980
					AP	11A0825
					AC	13A1275
					PS	13A0815
280E	1972-73	W114	2.7L 6 Cyl. 24v DOHC EFI	M110.981	Alt.	11A0965
					AC	13A1285
					PS	13A0825
280E	1973-81	W115	2.7L 6 Cyl. 24v DOHC EFI	2.7	Alt.	11A0965
					AC	13A1285
					PS	13A0825
280E	1976-86	W123	2.7L 6 Cyl. 24v DOHC Carb	M110.984	Alt.	11A0980
					AP	11A0825
					AC	13A1275
					PS	13A0825

Model	Year	Variant	Engine	Engine Code	Description	Part Number
MERCEDES-BENZ CONTINUED						
280S	1973-85	W116	2.7L 6 Cyl. 24v DOHC EFI	M110.983	Alt.	11A0965
					AC	13A1285
					AP	11A0865
					PS	13A0825
280SE	1973-81	W116	2.7L 6 Cyl. 24v DOHC EFI	M110.983	Alt. - 965mm Belt	11A0965
					Alt. - 980mm Belt	11A0980
					AC	13A1285
					AP	11A0865
					PS	13A0825
280SE	1980-86	W126	2.7L 6 Cyl. 24v DOHC EFI	M110.987	Alt. - 965mm Belt	11A0965
					Alt. - 980mm Belt	11A0980
					AC	13A1285
					AP	11A0865
					PS	13A0815
280SEL	1975-80	W116	2.7L 6 Cyl. 24v DOHC EFI	M110.983	Alt.	11A0965
					PS	13A0825
280SL	1973-90	R107	2.7L 6 Cyl. 24v DOHC EFI	M110.990	Alt.	11A0965
					AC	13A1285
					PS	13A0825
280SLC	1967-71	C113	2.7L 6 Cyl. 24v DOHC EFI	M130.980	Alt.	11A0965
					AC	13A1285
					PS	13A0825
280TE	1980-86	S123	2.7L 6 Cyl. 24v DOHC EFI	M110.984	Alt. - 965mm Belt	11A0965
					Alt. - 980mm Belt	11A0980
					AC	13A1285
					PS	13A0815
300CE	1987-90	C124	3.0L 6 Cyl. 24v DOHC EFI	M104.980	Serp.	6PK2415
					Tensioner Pulley	38407
					Idler	38407
300D	1976-85	W123	3.0L 5 Cyl. 10v SOHC Diesel	OM617.912	Alt. - to 1979	11A0980
					Alt. - from 1979	11A1030
					AC - to 1979	13A1345
					AC - from 1979	13A0870
					PS	13A1150
300D	1986-93	W124	3.0L 6 Cyl. 12v SOHC Diesel	M603.912	Tensioner Pulley	38407
					Idler	38407
300D	1986-93	W124	3.0L 6 Cyl. 12v SOHC Diesel	OM603.912	Serp.	6PK2250
300E	1985-92	W124	2.6L 6 Cyl. 12v SOHC EFI	M103.942	Tensioner Pulley	38407
					Idler	38407
300E	1985-92	W124	2.6L 6 Cyl. 12v SOHC EFI	M103.942	Serp.	6PK2415
300E	1986-93	W124	3.0L 6 Cyl. 24v DOHC EFI	M104.980	Tensioner Pulley	38407
					Idler	38407
300E	1992-95	W124	2.8L 6 Cyl. 24v DOHC EFI	M104.980	Serp.	6PK2415
300E	1992-95	W124	3.0L 6 Cyl. 24v DOHC EFI	M104.980	Serp.	6PK2415
					Tensioner Pulley	38407
					Idler	38407
300GD	1982-89	W460	3.0L 5 Cyl. 10v SOHC Diesel	OM617.913	Alt.	13A1030
					AC	13A0870
					PS	13A1150

* = NZ Vehicles Only

Model	Year	Variant	Engine	Engine Code	Description	Part Number
MERCEDES-BENZ CONTINUED						
300GE	1989-93	W463	3.0L 6 Cyl. 12v SOHC EFI	M103.980	Tensioner Pulley	38407
					Idler	38407
300SE	1985-92	W126	3.0L 6 Cyl. 12v SOHC EFI	M103.981	Serp.	6PK2250
					Tensioner	38263
					Tensioner Pulley	38407
					Idler	38407
300SE	1991-93	W140	3.2L 6 Cyl. 24v DOHC EFI	M104.990	Tensioner Pulley	38407
					Idler	38407
300SEL	1986-91	W126	3.0L 6 Cyl. 12v SOHC EFI	M103.981	Serp.	6PK2260
					Tensioner	38263
					Tensioner Pulley	38407
					Idler	38407
300SL	1987-90	R107	3.0L 6 Cyl. 12v SOHC EFI	M103.980	Tensioner Pulley	38407
					Idler	38407
300TD	1982-85	S123	3.0L 5 Cyl. 10v SOHC Diesel	OM617.912	Alt.	11A1030
					AC	13A0870
					PS	13A1150
300TE	1987-93	S124	3.0L 6 Cyl. 24v DOHC EFI	M104.983	Serp.	6PK2415
350SE	1973-76	W116	3.5L V8 16v SOHC EFI	M116.982	Alt.	11A0950
					AC	13A0850
					Fan & PS	11A1180
350SL	1971-80	R107	3.5L V8 16v SOHC EFI	M116.982	Alt.	11A0950
					AC	13A0850
					Fan & PS	11A1180
350SLC	1971-80	C107	3.5L V8 16v SOHC EFI	M117.964	Alt.	11A0950
					AC	13A0850
					Fan & PS	11A1180
350SLC	1973-81	W107	3.5L V8 16v SOHC EFI	M116.982	Alt.	11A0950
					AC	13A0850
					Fan & PS	11A1180
380SE	1981-86	W126	3.8L V8 16v SOHC EFI	M116.963	Alt.	11A0950
					AC	13A0875
					Fan & PS	11A1130
380SEC	1981-86	C126	3.8L V8 16v SOHC EFI	M116.963	Alt.	11A0950
					AC	13A0875
					AP	10A0750
					Fan & PS	11A1130
380SEL	1981-86	C126	3.8L V8 16v SOHC EFI	M116.963	Alt.	11A0990
					AC	13A0825
					AP	10A0750
					Fan & PS	11A1090
380SL	1980-86	R107	3.8L V8 16v SOHC EFI	M116.960	Alt.	11A0950
					AC	13A0825
					Fan & PS	11A1130
400SE	1992-95	W140	4.2L V8 32v DOHC EFI	M119.971	Serp. - to 1993	6PK2525
					Serp. - from 1993	6PK2540
400SEL	1991-97	W140	4.2L V8 32v DOHC EFI	M119.971	Serp. - to 1993	6PK2525
					Serp. - 1993 to 95	6PK2540
					Serp. - from 1995	6PK2510

Model	Year	Variant	Engine	Engine Code	Description	Part Number
MERCEDES-BENZ CONTINUED						
420SE	1986-91	W126	4.2L V8 16v SOHC EFI	M116.965	Alt.	11A0990
					AC	13A0950
					AP	11A0750
					Fan & PS	11A1105
420SE	1992-93	W140	4.2L V8 32v DOHC EFI	M119.971	Serp.	8PK2460
420SEL	1986-91	W126	4.2L V8 16v SOHC EFI	M116.965	Alt.	11A0990
					AC	13A0950
					AP	11A0750
					Fan & PS	11A1105
450SE	1974-81	W116	4.5L V8 16v SOHC EFI	M117.982	Alt. - 1005mm Belt.	11A1005
					Alt. - 1030mm Belt	11A1030
					Alt. - 1075mm Belt.	11A1075
					AC - 1973 to 78	13A1005
					AC - 1978 to 79	13A0870
					AC - 1980 to 81	13A0925
					AP	11A0875
					Fan & PS	11A1180
					PS	11A1195
450SEL	1973-81	W116	4.5L V8 16v SOHC EFI	M117.982	Alt.	11A1180
					AC	13A1005
					AP	11A0940
					Fan. & PS	13A1205
450SL	1973-80	R107	4.5L V8 16v SOHC EFI	M117.985	Alt. - 1005mm Belt.	11A1005
					Alt. - 1030mm Belt	11A1030
					Alt. - 1075mm Belt.	11A1075
					Fan & PS	11A1180
					AC - 1974 to 78	13A1005
					AC - 1978 to 89	13A0870
					AC - 1980	13A0925
					AP	11A0875
					PS	11A1195
450SLC	1973-81	C107	4.5L V8 16v SOHC EFI	M117.985	Alt. - 1005mm Belt.	11A1005
					Alt. - 1030mm	11A1030
					Alt. - 1075mm Belt.	11A1075
					AC - 1973 to 78	13A1005
					AC - 1978 to 79	13A0870
					AC - 1980 to 81	13A0925
					AP	11A0875
					PS	11A1195
450SLC	1973-81	W107	4.5L V8 16v SOHC EFI	M117.982	Alt. - 1005mm Belt.	11A1005
					Alt. - 1030mm	11A1030
					Alt. - 1075mm Belt.	11A1075
					AC - 1973 to 78	13A1005
					AC - 1978 to 79	13A0870
					AC - 1980 to 81	13A0925
					AP	11A0875
					PS	11A1195
500SEL	1991-98	W140	5.0L V8 32v DOHC EFI	M119.970	Serp.	6PK2525
500SL	1989-93	R129	5.0L V8 32v DOHC EFI	M119.960	Serp.	6PK2525

* = NZ Vehicles Only

Model	Year	Variant	Engine	Engine Code	Description	Part Number
MERCEDES-BENZ CONTINUED						
560SEC	1981-92	W126	5.5L V8 16v SOHC EFI	M117.968	Alt.	11A0990
					AC	13A0950
					AP	10A0750
					Fan & PS	11A1105
560SEL	1986-91	C126	5.5L V8 16v SOHC EFI	M117.968	Alt.	11A0990
					AC	13A0950
					AP	10A0750
					Fan & PS	11A1105
560SL	1986-90	W107	5.5L V8 16v SOHC EFI	M117.967	Alt.	11A0990
					AC	13A0950
					AP	10A0750
					Fan & PS	11A1105
A140	2000-01	W168	1.4L 4 Cyl. 8v SOHC EFI	M166.940	Serp. - w/ AC	5PK1750
					Serp. - w/o AC	5PK1290
A160	1998-05	W168	1.6L 4 Cyl. 8v SOHC EFI	M166.960	Serp. - w/ AC	5PK1750
					Serp. - w/o AC	5PK1295
A170	2005-07	W169	1.7L 4 Cyl. 8v SOHC EFI	M266.940	Idler - w/ AC	36257
A190	1999-05	W168	1.9L 4 Cyl. 8v SOHC EFI	M166.990	Serp. - w/ AC	5PK1750
					Serp. - w/o AC	5PK1290
B200T	2005-07	W245	2.0L 4 Cyl. 16v DOHC EFI	M266.980	Idler - w/ AC	36257
C180	1993-98	W202	1.8L 4 Cyl. 16v DOHC EFI	M111.920	Serp. - w/ AC	6PK2145
					Serp. - w/o AC	6PK1980
C180	1997-00	W202	1.8L 4 Cyl. 16v DOHC EFI	M111.951	Serp. - w/ AC	6PK2145
					Serp. - w/o AC	6PK1980
C180	2002-07	W203	1.8L 4 Cyl. 16v DOHC EFI	M271.940	Serp. - w/ AC	6PK2145
C180	2002-07	W203	1.8L 4 Cyl. 16v DOHC EFI	M271.940	Serp. - w/ AC	6PK2145
C200	1994-02	W202	2.0L 4 Cyl. 16v DOHC EFI	M111.945	Serp.	6PK2145
C200	2000-02	Kompressor - W203	2.0L 4 Cyl. 16v DOHC EFI	M111.955	Serp.	6PK1335
C200K	2002-09	W203	2.0L 4 Cyl. 16v DOHC EFI	M271.940	Serp.	7PK2415
C200T	1996-00	S202	2.0L 4 Cyl. 16v DOHC EFI	M111.940	Serp.	6PK2145
C220	1993-00	W202	2.2L 4 Cyl. 16v DOHC EFI	M111.960	Serp.	6PK2415
C230	1996-97	W202	2.3L 4 Cyl. 16v DOHC EFI	M111.961	Serp.	6PK2415
C240	1997-00	W202	2.4L V6 18v SOHC EFI	M112.911	Serp.	6PK2385
					Tensioner	38174
C240T	1997-00	S202	2.4L V6 18v SOHC EFI	M112.911	Serp.	6PK2385
C250D	1993-99	W202	2.5L 5 Cyl. 20v DOHC Diesel	OM605.910	Serp.	6PK2415
C250TD	1996-00	W202	2.5L 5 Cyl. 20v DOHC Turbo Diesel	OM605.960	Serp.	6PK2415
C280	1993-00	W202	2.8L 6 Cyl. 24v DOHC MPFI	M104.941	Serp.	6PK2170
					Tensioner	38263
					Tensioner Pulley	38047
					Idler	38047
C280	1997-00	W202	2.8L V6 18v SOHC EFI	M112.920	Serp.	6PK2385
					Tensioner	38174
					Tensioner Pulley	38047
					Idler	38047
C36	1995-98	W202	3.6L 6 Cyl. 24v DOHC MPFI	M104.941	Serp.	6PK2240
					Tensioner Pulley	38047
					Idler	38047

Model	Year	Variant	Engine	Engine Code	Description	Part Number
MERCEDES-BENZ CONTINUED						
C43	1998-00	W202	4.3L V8 24v SOHC MPFI	M113.944	Serp.	6PK2385
					Tensioner	38174
CL500	1999-04	W215	5.0L V8 24v SOHC MPFI	M113.960	Serp.	6PK2385
CLK200	1997-02	C208	2.0L 4 Cyl. 16v DOHC EFI	M111.940	Alt. & AC	6PK1325
					PS - w/ AC - w/ LA	6PK1865
					PS - w/ AC - w/o LA	6PK1880
					PS - w/o AC - w/ LA	6PK1765
					PS - w/o AC - w/o LA	6PK1770
CLK200	2000-03	A208	2.0L 4 Cyl. 16v DOHC EFI	M111.940	Alt. & AC	6PK1325
					PS - w/ AC - w/ LA	6PK1865
					PS - w/ AC - w/o LA	6PK1880
					PS - w/o AC - w/ LA	6PK1765
					PS - w/o AC - w/o LA	6PK1770
CLK230	1998-03	A208	2.3L 4 Cyl. 16v DOHC EFI	M111.982	Alt.	6PK1352
					AC & PS	6PK1875
CLK230	2000-02	C208	2.3L 4 Cyl. 16v DOHC EFI	M111.982	Alt.	6PK1352
					AC & PS	6PK1875
CLK320	1997-02	C208	3.2L V6 18v SOHC Supercharged MPFI	M112.941	Serp.	6PK2385
CLK320	1998-02	A208	3.2L V6 18v SOHC EFI	M112.941	Serp.	6PK2385
CLK320	2002-05	C209	3.2L V6 18v SOHC MPFI	M112.955	Serp.	6PK2385
CLK320	2003-05	A209	3.2L V6 18v SOHC EFI	M112.955	Serp.	6PK2385
CLK430	1999-02	A208	4.3L V8 24v SOHC MPFI	M113.943	Serp.	6PK2395
					Tensioner	38174
CLK500	2002-06	C209	5.0L V8 24v SOHC MPFI	M113.968	Serp.	6PK2385
E220	1993-97	W124	2.2L 4 Cyl. 16v DOHC EFI	M111.960	Serp.	6PK2150
E220C	1994-97	C124	2.2L 4 Cyl. 16v DOHC EFI	M111.960	Serp.	6PK2150
E220CA	1994-97	R124	2.2L 4 Cyl. 16v DOHC EFI	M111.960	Serp.	6PK2150
E220T	1994-97	S124	2.2L 4 Cyl. 16v DOHC EFI	M111.960	Serp.	6PK2150
E230	1995-99	W210	2.3L 4 Cyl. 16v DOHC EFI	M111.970	Serp.	6PK1970
E240	1997-01	W210	2.4L V6 18v SOHC EFI	M112.911	Serp.	6PK2385
E240	1998-03	S210	2.4L V6 18v SOHC EFI	M112.911	Serp.	6PK2385
E240	2000-02	S210	2.6L V6 18v SOHC EFI	M112.912	Serp.	6PK2385
E240	2002-05	W211	2.6L V6 18v SOHC MPFI	M112.913	Serp.	6PK2385
E280	1993-96	W124	2.8L 6 Cyl. 18v SOHC EFI	M104.980	Serp.	6PK2385
					Tensioner Pulley	38047
					Idler	38047
E280	1996-02	W210	2.8L 6 Cyl. 24v DOHC MPFI	M104.945	Serp.	6PK2385
					Tensioner Pulley	38047
					Idler	38047
E280	1998-00	W210	2.8L 6 Cyl. 18v SOHC EFI	M112.921	Serp.	6PK2385
					Tensioner Pulley	38047
					Idler	38047
E280	2005-07	W211	3.0L V6 24v DOHC EFI	M272.943	Serp.	6PK2200
E280T	1993-94	S124	2.8L 6 Cyl. 24v DOHC EFI	M104.980	Serp.	6PK2415
E300D	1993-94	W124	3.0L 6 Cyl. 24v DOHC Diesel	OM606.910	Serp.	6PK2145
					Tensioner Pulley	38048
					Idler Pulley	38048
E300TD	1997-99	W210	3.0L 6 Cyl. 24v SOHC Turbo Diesel	OM606.962	Serp.	6PK2120

* = NZ Vehicles Only

Model	Year	Variant	Engine	Engine Code	Description	Part Number
MERCEDES-BENZ CONTINUED						
E320	1992-96	W124	3.2L 6 Cyl. 24v DOHC EFI	M104.992	Serp.	6PK2415
					Tensioner Pulley	38047
					Idler	38047
E320	1993-94	C124	3.2L 6 Cyl. 24v DOHC EFI	M104.990	Serp.	6PK2415
					Tensioner Pulley	38047
					Idler	38047
E320	1993-96	W124	3.2L 6 Cyl. 24v DOHC EFI	M104.990	Serp.	6PK2415
					Tensioner Pulley	38047
					Idler	38047
E320	1995-97	W210	3.2L 6 Cyl. 24v DOHC MPFI	M104.995	Serp.	6PK2415
					Tensioner Pulley	38047
					Idler	38047
E320	1997-02	W210	3.2L V6 18v SOHC EFI	M112.941	Serp. - w/ AC	6PK2395
					Tensioner	38174
					Tensioner Pulley	38047
					Idler	38047
E320	1997-03	S210	3.2L V6 18v SOHC EFI	M112.941	Serp. - w/ AC	6PK2395
					Tensioner	38174
					Tensioner Pulley	38047
					Idler	38047
E320	2002-05	W211	3.2L V6 18v SOHC MPFI	M112.941	Serp. - w/ AC	6PK2395
					Tensioner	38174
					Tensioner Pulley	38047
					Idler	38047
E320	2003-05	S211	3.2L V6 18v SOHC EFI	M112.941	Serp. - w/ AC	6PK2395
					Tensioner	38174
					Tensioner Pulley	38047
					Idler	38047
E430	1997-02	W210	4.3L V6 24v SOHC MPFI	M113.940	Serp.	6PK2385
					Tensioner	38174
E55	1998-02	W210	5.4L V6 24v SOHC MPFI	M113.980	Serp.	6PK2395
					Tensioner	38174
E55	2002-06	W211	5.4L V6 24v SOHC MPFI	M113.980	Serp.	6PK2395
					Tensioner	38174
E55KT	2002-06	W211	5.4L V6 24v SOHC MPFI	M113.980	Serp.	6PK2395
					Tensioner	38174
MB100	1999-02	661	2.3L 4 Cyl. 8v SOHC Diesel	OM661.911	Serp.	6PK2100
MB100	1999-04	661	2.3L 4 Cyl. 16v DOHC EFI	M161.971	Serp.	6PK2100
MB100	2001-04	661	2.9L 5 Cyl. 10v SOHC Diesel	OM662.911	Serp.	6PK2145
MB140	1999-04	661	2.9L 5 Cyl. 10v SOHC Diesel	OM662.911	Serp.	6PK2145
MB140	1999-05	661	2.3L 4 Cyl. 16v DOHC EFI	M161.971	Serp.	6PK2100
ML270 Cdi	2000-05	W163	2.7L 5 Cyl. 20v DOHC Turbo Diesel	OM612.963	Serp.	6PK2275
ML320	1998-03	W163	3.2L V6 18v SOHC MPFI	M112.942	Serp.	6PK2385
					Tensioner	38174
ML350	2003-05	W163	3.7L V6 18v SOHC EFI	M112.970	Serp.	6PK2385
ML430	1999-01	W163	4.3L V8 24v SOHC MPFI	M113.942	Serp.	6PK2385
ML55	2001-04	W163	5.4L V8 24v SOHC MPFI	M113.981	Serp.	6PK2385
					Tensioner	38174

Model	Year	Variant	Engine	Engine Code	Description	Part Number
MERCEDES-BENZ CONTINUED						
S280	1993-99	W140	2.8L 6 Cyl. 24v DOHC MPFI	M104.944	Serp.	6PK2225
					Tensioner Pulley	38047
					Idler	38047
S320	1992-98	W140	3.2L 6 Cyl. 24v DOHC EFI	M104.990	Serp.	6PK2415
					Tensioner Pulley	38047
					Idler	38047
S320	1999-02	W220	3.2L 6 Cyl. 18v SOHC MPFI	M112.944	Serp.	6PK2385
					Tensioner Pulley	38047
					Idler	38047
S420	1993-99	W140	4.2L V8 32v DOHC EFI	M119.971	Serp. - to 1995	6PK2540
					Serp. - from 1995	6PK2510
S430	1999-03	W220	4.3L V8 24v SOHC MPFI	M113.941	Serp.	6PK2385
S430L	1999-03	W220	4.3L V8 24v SOHC MPFI	M113.941	Serp.	6PK2385
S500	1993-94		5.0L V8 32v DOHC EFI	M119.970	Serp. - to 1994	6PK2525
					Serp. 1994 - to 1995	6PK2540
					Serp. - from 1996	6PK2510
S600L	1993-99	W140	6.0L V12 48v DOHC MPFI	M120.982	Serp.	6PK2580
SL280	1994-00	R129	2.8L 6 Cyl. 24v DOHC MPFI	M104.980	Serp.	6PK2225
					Tensioner Pulley	38047
					Idler	38047
SL320	1999-01	R129	3.2L V6 18v SOHC EFI	M112.941	Serp.	6PK2200
					Tensioner Pulley	38047
					Idler	38047
SL500	1990-00	R129	5.0L V8 32v DOHC EFI	M119.972	Serp.	6PK2525
					Tensioner	38174
SL500	1996-00	R129	5.0L V8 24v SOHC MPFI	M113.961	Serp.	6PK2525
					Tensioner	38174
SL600	1992-00	R129	6.0L V12 48v DOHC MPFI	M120.981	Serp.	6PK2580
SLK32	2001-04	R170	3.2L 6 Cyl. 18v SOHC Supercharged EFI	M112.966	Tensioner Pulley	38047
					Idler	38047
SLK320	2000-04	R170	3.2L 6 Cyl. 16v DOHC EFI	M111.983	Serp.	6PK1335
					AC & PS	6PK1875
					Tensioner Pulley	38047
					Idler	38047
SPRINTER	1998-00	W903	2.3L 4 Cyl. 8v SOHC Diesel	OM601.943	Serp. - w/ AC	6PK2100
					Serp. - w/o AC	6PK2020
SPRINTER	1998-00	W904	2.9L 5 Cyl. 10v SOHC Turbo Diesel	OM602.980	Serp. - w/ AC	6PK2135
					Serp. - w/o AC	6PK2085
SPRINTER	1998-01	W903	2.9L 5 Cyl. 10v SOHC Turbo Diesel	OM602.980	Serp. - w/ AC	6PK2135
					Serp. - w/o AC	6PK2085
SPRINTER	2001-02	208CDi	2.2L 4 Cyl. 16v DOHC Diesel	OM611.987	Serp. - w/ AC	6PK2275
					Serp. - w/o AC - to Ch. # R220797	6PK2195
					Serp. - w/o AC - from Ch. # R220798	6PK2260
SPRINTER	2001-06	W903	2.2L 4 Cyl. 16v DOHC Diesel	OM611.987	Serp. - w/ AC	6PK2275
					Serp. - w/o AC - to Ch. # R220797	6PK2195
					Serp. - w/o AC - from Ch. # R220798	6PK2260

* = NZ Vehicles Only

Model	Year	Variant	Engine	Engine Code	Description	Part Number
MERCEDES-BENZ CONTINUED						
SPRINTER	2001-07	308CDi	2.2L 4 Cyl. 16v DOHC Diesel	OM611.987	Serp. - w/ AC	6PK2275
					Serp. - w/o AC - to Ch. # R220797	6PK2195
					Serp. - w/o AC - from Ch. # R220798	6PK2260
SPRINTER	2002-06	W902	2.2L 4 Cyl. 16v DOHC Diesel	OM611.987	Serp. - w/ AC	6PK2275
					Serp. - w/o AC - to Ch. # R220797	6PK2195
					Serp. - w/o AC - from Ch. # R220798	6PK2260
SPRINTER	2002-06	W903	2.7L 5 Cyl. 20v DOHC Turbo Diesel	OM612.981	Serp. - w/ AC	6PK2275
					Serp. - w/o AC - to Ch. # R220797	6PK2195
					Serp. - w/o AC - from Ch. # R220798	6PK2200
VITO	1998-00	638	2.3L 4 Cyl. 8v SOHC Diesel	OM601.942	Serp. - w/ AC	6PK2080
					Serp. - w/o AC	6PK2005
VITO	1998-04	638	2.0L 4 Cyl. 16v DOHC EFI	M111.948	Serp. - w/ AC	6PK2200
					Serp. - w/o AC	6PK2100
VITO	1999-02	638	2.2L 4 Cyl. 16v DOHC Turbo Diesel	OM611.980	Serp. - w/ AC	6PK2170
					Serp. - w/o AC	6PK2080
VITO	2002-06	638	2.1L 4 Cyl. 16v DOHC Turbo Diesel EFI	OM611.980	Serp. - w/ AC	6PK2170
					Serp. - w/o AC	6PK2080
VITO	2003-06	638	2.1L 4 Cyl. 16v DOHC Turbo Diesel EFI	OM646.982	Serp.	6PK2260
VITO	2004-06	638	2.1L 4 Cyl. 16v DOHC Turbo Diesel EFI	OM646.983	Serp.	6PK2260
VITO	2004-07	638	3.2L V6 18v SOHC EFI	M112.951	Serp.	6PK2375
MG						
MGF	1996-04		1.8L 4 Cyl. 16v DOHC EFI	18K4F	Serp. - w/ AC	5PK1210
					Serp. - w/o AC	5PK735
MGF	2001-02		1.8L 4 Cyl. 16v DOHC EFI	18K4K	Serp. - w/ AC	5PK1210
					Serp. - w/o AC	5PK735
TF	2003-05		1.8L 4 Cyl. 16v DOHC EFI	18K4K	Serp. - w/ AC	5PK1210
					Serp. - w/o AC	5PK735
ZT180	2002-05		2.5L V6 24v DOHC EFI	25K4	Serp. - w/ AC	6PK1560
					Serp. - w/o AC	6PK1285
ZT190	2000-04		2.5L V6 24v DOHC EFI	25K4	Serp. - w/ AC	6PK1560
					Serp. - w/o AC	6PK1285
MINI						
Cooper	2002-07	R50	1.6L 4 Cyl. 16v SOHC SPFI	W10B16	Alt. - w/ AC	6PK1035
					Alt. - w/o AC - to 07/04	6PK890
					Alt. - w/o AC - from 07/04	6PK875
MITSUBISHI						
3000GT	1992-97	S24	3.0L V6 24v DOHC Twin Turbo EFI	6G72	Alt. & AC	6PK1155
					AC - w/ Seperate Alt. Belt	6PK1155
					Alt. - w/ Seperate AC Belt	6PK1080
					PS	4PK925
380	2005-08	DB	3.8L V6 24v SOHC EFI	6G75	Alt. & PS	6PK1230
					PS	4PK900
AIRTREK	2002-05	CU2W	2L 4 Cyl. 16v DOHC EFI	4G63	Tensioner	38413
AIRTREK	2002-05	CU4W	2L 4 Cyl. 16v DOHC EFI	4G63	Tensioner	38413

* = NZ Vehicles Only

Model	Year	Variant	Engine	Engine Code	Description	Part Number
MITSUBISHI CONTINUED						
CANTER	1978-88	FE211	3.3L 4 Cyl. 8v OHV Diesel	4D30	Alt.	15A1175
					AC	13A1500
					PS	13A0635
CANTER	1986-91	FE444F	3.3L 4 Cyl. 8v OHV Turbo Diesel	4D31T	Alt.	15A1175
					AC	13A1500
					PS	13A0635
CANTER	1986-93	FE444E	3.3L 4 Cyl. 8v OHV Diesel	4D31	Alt.	15A1175
					AC	13A1500
					PS	13A0635
CANTER	1986-95	FE444C	3.3L 4 Cyl. 8v OHV Diesel	4D31	Alt.	15A1175
					AC	13A1500
					PS	13A0635
CANTER	1991-93	FE334	3.3L 4 Cyl. 8v SOHC Diesel	4D31	Alt.	15A1175
					AC	13A1500
					PS	13A0635
CANTER	1997-02	FG637	4.2L 4 Cyl. 8v OHV Diesel	4D33	Alt. - (2 Belts)	13A1180
					AC	13A1435
CANTER	1998-02	FB511	3.3L 4 Cyl. 8v SOHC Diesel	4M40	AC	13A1300
CANTER	2002	FE639	3.9L 4 Cyl. 8v OHV Turbo Diesel	4D34T	Alt. - (2 Belts)	13A1180
					AC	13A1450
CANTER	2002-07	FE649	3.9L 4 Cyl. 8v OHV Turbo EFI	4D34TI	Alt. - (2 Belts)	13A1180
					AC	13A1450
CANTER	2002-07	FE659	3.9L 4 Cyl. 8v OHV Turbo EFI	4D34TI	Alt. - (2 Belts)	13A1180
					AC	13A1450
CHALLENGER	1997-06	PA	3.0L V6 24v SOHC EFI	6G72	Alt.	5PK1137
					AC	13A0890
					PS	4PK970
CHARIOT	1984-89	D09W	1.8L 4 Cyl. 8v SOHC Turbo Diesel	4D65T	PS	13A0660
					Alt. & WP	13A1005
CHARIOT	1984-91	D05W	1.8L 4 Cyl. 8v SOHC Carb	4G37B	Alt. & WP - Micro-V Belt	4PK925
					Alt. & WP - V-Belt	13A0940
					AC	13A0915
					PS	13A0650
CHARIOT	1986-87	D02W	* 1.6L 4 Cyl. 8v SOHC Carb	4G32B	Alt. & WP - Micro-V Belt	4PK925
					Alt. & WP - V-Belt	13A0940
					AC	13A0915
					PS	13A0650
CHARIOT	1986-87	D03W	* 1.8L 4 Cyl. 8v SOHC Turbo Carb	4G62BT	Alt. & WP - Micro-V Belt	4PK975
					Alt. & WP - V-Belt	13A1005
					AC	13A0990
					PS	13A0660
CHARIOT	1991-98	N33W	* 2.0L 4 Cyl. 16v SOHC EFI	4G63B	WP & Alt.	4PK970
					AC	4PK945
					PS - Micro-V Belt	4PK635
					PS - V-Belt	13A0620
COLT	1981-82	RA	1.4L 4 Cyl. 8v SOHC Carb	4G12B	Alt. & WP	11A0865
					AC	11A0825
COLT	1982-84	RB	1.4L 4 Cyl. 8v SOHC Carb	4G33B	Alt. & WP	11A0925
					AC	11A0990

* = NZ Vehicles Only

Model	Year	Variant	Engine	Engine Code	Description	Part Number
MITSUBISHI CONTINUED						
COLT	1982-84	RB	1.6L 4 Cyl. 8v SOHC Carb	4G32	Alt. & WP	11A0925
					AC	11A0990
COLT	1984-86	RC	1.4L 4 Cyl. 8v SOHC Carb	4G33B	Alt. & WP	11A0940
					AC - SD508 Comp.	11A0990
					AC - SD509 Comp.	11A0965
COLT	1984-86	RC	1.6L 4 Cyl. 8v SOHC Carb	4G32	Alt. & WP	11A0940
					AC - SD508 Comp.	11A0990
					AC - SD509 Comp.	11A0965
COLT	1986-88	RD	1.4L 4 Cyl. 8v SOHC Carb	4G33B	Alt. & WP	11A0940
					AC - SD508 Comp.	11A0990
					AC - SD509 Comp.	11A0965
COLT	1986-88	RD	1.6L 4 Cyl. 8v SOHC Carb	4G32	Alt. & WP	11A0940
					AC - SD508 Comp.	11A0990
					AC - SD509 Comp.	11A0965
COLT	1988-90	RE	1.4L 4 Cyl. 8v SOHC Carb	4G33B	Alt. & WP	11A0940
					AC - SD508 Comp.	11A0990
					AC - SD509 Comp.	11A0965
COLT	1988-90	RE	1.6L 4 Cyl. 8v SOHC Carb	4G32	Alt. & WP	11A0940
					AC - SD508 Comp.	11A0980
					AC - SD509 Comp.	11A0965
CORDIA	1982-83	A212A	1.6L 4 Cyl. 8v SOHC Turbo Carb	4G32T	Alt. & WP - Micro-V Belt	4PK925
					Alt. & WP - V-Belt	11A0925
					AC	13A0980
					PS	13A0675
CORDIA	1983-84	AA	1.6L 4 Cyl. 8v SOHC Carb	4G32	Alt. & PS	11A0925
					Alt. & WP	13A0950
					AC	11A0965
					PS	13A0635
CORDIA	1984-85	AB	* 1.8L 4 Cyl. 8v SOHC Carb	4G37	Alt.	4PK940
					AC	11A0900
					PS	13A0635
CORDIA	1984-87	A213G	* 1.8L 4 Cyl. 8v SOHC Turbo Carb	G62BT	Alt. & WP - Micro-V Belt	4PK975
					Alt. & WP - V-Belt	13A1015
					AC	13A1065
					PS	13A0660
CORDIA	1985-87	CX	* 1.8L 4 Cyl. 8v SOHC Carb	4G37	Alt. & WP - Micro-V Belt	4PK925
					Alt. & WP - V-Belt	11A1005
					AC	11A0955
					PS	13A0620
CORDIA	1985-87	CY	* 1.8L 4 Cyl. 8v SOHC Carb	4G37	Alt. & WP - Micro-V Belt	4PK925
					Alt. & WP - V-Belt	11A1005
					AC	11A0955
					PS	13A0620
CORDIA	1985-88	CZ	* 1.8L 4 Cyl. 8v SOHC Carb	4G37	Alt. & WP - Micro-V Belt	4PK925
					Alt. & WP - V-Belt	11A1005
					AC	11A0955
					PS	13A0620

Model	Year	Variant	Engine	Engine Code	Description	Part Number
MITSUBISHI CONTINUED						
CORDIA	1985-89	AC	* 1.8L 4 Cyl. 8v SOHC Carb	4G37	Alt.	4PK940
					AC	11A0900
					PS	13A0635
DELICA	1980-87	L035P	* 1.8L 4 Cyl. 8v SOHC Carb	G62B	Alt. & Fan	11A0965
					AC - w/ PS	13A0965
					AC - w/o PS (1980-81)	13A0940
					AC - w/o PS	13A0890
					PS	13A0990
DELICA	1983-87	L038P	* 2.3L 4 Cyl. 8v SOHC Diesel	4D55	Alt.	15A1080
					AC	13A0890
					PS	13A1005
DELICA	1983-87	L068P	* 2.3L 4 Cyl. 8v SOHC Diesel	4D55	Alt.	15A1080
					AC	13A0890
					PS	13A1005
DELICA	1985-99	L039P	* 2.5L 4 Cyl. 8v SOHC Diesel	4D56	Alt.	15A1080
					AC	13A0890
					PS	13A1005
DELICA	1985-99	L069P	* 2.5L 4 Cyl. 8v SOHC Diesel	4D56	Alt.	15A1080
					AC	13A0890
					PS	13A1005
DELICA	1985-99	P05V	* 2.5L 4 Cyl. 8v SOHC Diesel	4D56	Alt.	15A1080
					AC	13A0890
					PS	13A1005
DELICA	1985-99	P15V	* 2.5L 4 Cyl. 8v SOHC Diesel	4D56	Alt.	15A1080
					AC	13A0890
					PS	13A1005
DELICA	1985-99	P45V	* 2.5L 4 Cyl. 8v SOHC Diesel	4D56	Alt.	15A1080
					AC	13A0890
					PS	13A1005
DELICA	1985-99	PA5V	* 2.5L 4 Cyl. 8v SOHC Diesel	4D56	Alt.	15A1080
					AC	13A0890
					PS	13A1005
DELICA	1986-95	L037	* 2.0L 4 Cyl. 8v SOHC Carb	4G63	Alt. & Fan	11A0965
					PS	13A0990
DELICA	1986-95	P03W	2.0L 4 Cyl. 8v SOHC Carb	4G63	Alt. & Fan	11A0965
					PS	13A0990
DELICA	1986-95	P23V	* 2.0L 4 Cyl. 8v SOHC Carb	4G63	Alt. & Fan	11A0965
					PS	13A0990
DELICA	1989-95	P25W	2.5L 4 Cyl. 8v SOHC Diesel	4D56	Alt.	11A1080
					Alt. & Fan	15A1080
					AC	13A0890
					PS - Micro V Belt	4PK1090
					PS - V Belt	13A1005
DELICA	1989-95	P35W	2.5L 4 Cyl. 8v SOHC Diesel	4D56	Alt.	11A1080
					Alt. & Fan	15A1080
					AC	13A0890
					PS - Micro V Belt	4PK1090
					PS - V Belt	13A1005
DELICA	1994-00	PD8W	2.8L 4 Cyl. 8v SOHC Turbo Diesel	4M40T	Alt.	11A0980
DELICA	1994-99	PE8W	2.8L 4 Cyl. 8v SOHC Turbo Diesel	4M40T	Alt.	11A0980

* = NZ Vehicles Only

Model	Year	Variant	Engine	Engine Code	Description	Part Number
MITSUBISHI CONTINUED						
EXPRESS	1986-91	SF	2.0L 4 Cyl. 16v DOHC Carb	4G63	Alt. & Fan	13A1015
					AC	13A0940
					PS	13A0990
EXPRESS	1988-91	SF	2.5L 4 Cyl. 8v SOHC Diesel	4D56	Alt.	15A1130
					AC	13A0975
EXPRESS	1989-90	SF	2.4L 4 Cyl. 8v SOHC EFI	4G64	Alt. & Fan	13A1005
					AC	13A0940
					PS & WP	13A0990
EXPRESS	1990-91	SG	2.5L 4 Cyl. 8v SOHC Diesel	4D56	Alt. & Fan	15A1060
					AC	13A0975
					PS	13A0750
EXPRESS	1990-94	SG	2.0L 4 Cyl. 16v DOHC Carb	4G63	Alt. & Fan	13A1015
					AC	13A0940
					PS	13A0990
EXPRESS	1990-94	SG	2.4L 4 Cyl. 8v SOHC EFI	4G64	Alt. & Fan	13A1005
					AC	13A0940
					PS & WP	13A0990
EXPRESS	1991-94	SH	2.4L 4 Cyl. 8v SOHC EFI	4G64	Alt. & Fan	13A1005
					AC	13A0940
					PS & WP	13A0990
EXPRESS	1991-94	SH	2.5L 4 Cyl. 8v SOHC Diesel	4D56	Alt. - (2 Belts)	11A1075
					AC	13A0975
					PS	13A0750
EXPRESS	1991-95	SH	2.0L 4 Cyl. 16v DOHC Carb	4G63	Alt. & Fan	13A1015
					AC	13A0940
					PS	13A0990
EXPRESS	1994-03	SJ	2.5L 4 Cyl. 8v SOHC Diesel	4D56	Alt. - (2 Belts)	11A1075
					AC	13A0975
					PS	13A0750
EXPRESS	1994-05	WA	2.4L 4 Cyl. 16v SOHC EFI	4G64	Alt.	4PK990
					AC	4PK940
					PS	4PK1040
EXPRESS	1994-06	SJ	2.0L 4 Cyl. 16v SOHC Carb	4G63	Alt. & WP	4PK990
					Alt.	13A1005
					AC - 925mm Belt	4PK925
					AC - 940mm Belt	4PK940
					PS	4PK1050
EXPRESS	1994-06	SJ	2.4L 4 Cyl. 16v SOHC EFI	4G64	Alt.	4PK990
					AC	4PK940
					PS	4PK1040
EXPRESS	2008-09	SJ	2.4L 4 Cyl. 16v SOHC EFI	4G64	Alt.	4PK990
					AC	4PK955
					PS	4PK1050
FK415	1981-89	FK415	6.6L 6 Cyl. 12v OHV Diesel	6D14	Alt. - (2 Belts)	15A1055
					AC	15A1030
FK617	1998-06	FK617	7.5L 6 Cyl. 12v OHV DI	6D16	Alt. - (2 Belts)	15A1055
					AC	15A1030
FM515	1985-89	FM515	6.6L 6 Cyl. 12v OHV Diesel	6D14	Alt. - (2 Belts)	15A1055
					AC	15A1030

Model	Year	Variant	Engine	Engine Code	Description	Part Number
MITSUBISHI CONTINUED						
FTO	1994-01		2.0L V6 24v DOHC EFI	6A12	Alt.	4PK0950
					AC & PS	6PK1080
GALANT	1983-86	E11A	* 1.6L 4 Cyl. 8v SOHC Carb	G32B	Alt. & WP - Micro-V Belt	4PK925
					Alt. & WP - V-Belt	11A0925
GALANT	1987-89	E31A	* 1.6L 4 Cyl. 8v SOHC Carb	4G32	Alt. & WP	4PK925
					AC	13A0890
					PS	13A0650
GALANT	1987-89	E39A	2.0L 4 Cyl. 16v DOHC EFI	4G63	Alt. & WP	4PK990
					AC	4PK925
					PS	13A0675
GALANT	1987-92	E33A	2.0L 4 Cyl. 16v DOHC EFI	4G63	Alt. & WP	4PK990
					AC	4PK925
					PS	13A0675
GALANT	1989-90	HG	2.0L 4 Cyl. 8v SOHC EFI	4G63	Alt. & WP	4PK990
					AC - w/ Man. Trans.	4PK915
					AC - w/ Auto Trans.	4PK940
					PS	13A0635
GALANT	1989-91	HG	2.0L 4 Cyl. 16v DOHC EFI	4G63	Alt. & WP	4PK990
					AC	4PK925
					PS	13A0675
GALANT	1989-95	E35A	* 1.8L 4 Cyl. 16v DOHC EFI	4G67	Alt. & WP	4PK990
					AC	4PK925
					PS	13A0675
GALANT	1990-93	HH	2.0L 4 Cyl. 8v SOHC EFI	4G63	Alt. & WP	4PK990
					AC - w/ Man. Trans.	4PK915
					AC - w/ Auto Trans.	4PK945
					PS	13A0635
GALANT	1993-95	HJ	2.0L 4 Cyl. 16v SOHC EFI	4G63	Alt.	4PK990
					AC	4PK950
GALANT	1993-95	HJ	2.0L V6 24v DOHC EFI	6A12	Alt.	4PK950
					AC	5PK1065
					PS	5PK925
GRANDIS	2004-07	BA	2.4L 4 Cyl. 16v SOHC EFI	4G69	Tensioner	38413
GTO	1990-95	Z16A	3.0L V6 24v DOHC EFI	6G72	Alt. & AC	6PK1155
					PS - Micro-V Belt	4PK925
					PS - V-Belt	13A0925
GTO	1995-00	Z15A	3.0L V6 24v DOHC EFI	6G72	Alt. & AC	6PK1155
					PS - Micro-V Belt	4PK925
					PS - V-Belt	13A0925
L200	1980-81	Express (MA)	1.6L 4 Cyl. 8v SOHC Carb	4G32	Alt. & Fan	11A0940
L200	1981	Express (MA)	2.0L 4 Cyl. 8v SOHC Carb	4G52	Alt. & Fan	13A0925
L200	1982-84	Express (MC)	1.6L 4 Cyl. 8v SOHC Carb	4G32	Alt. & Fan	11A0940
L200	1982-84	Express (MC)	2.0L 4 Cyl. 8v SOHC Carb	4G63	Alt. & Fan	11A0965
L200	1982-84	Express (MC)	2.3L 4 Cyl. 8v SOHC Diesel	4D55	Alt. & Fan - Micro V	4PK0990
					Alt. & Fan - V Belt	15A1060
L200	1981-82	Express (MB)	1.6L 4 Cyl. 8v SOHC Carb	4G32	Alt. & Fan	11A0940
L200	1981-82	Express (MB)	2.0L 4 Cyl. 8v SOHC Carb	4G52	Alt. & Fan	13A0925
L200	1984-86	Express (MD)	2.0L 4 Cyl. 8v SOHC Carb	4G63	Alt. - Micro V	4PK0990
					Alt. - V Belt	11A0965

* = NZ Vehicles Only

Model	Year	Variant	Engine	Engine Code	Description	Part Number
MITSUBISHI CONTINUED						
L200	1984-86	Express (MD)	2.3L 4 Cyl. 8v SOHC Diesel	4D55	Alt. - Micro V	4PK990
					Alt. - V Belt	15A1060
L300	1980-82	SA	1.6L 4 Cyl. 8v SOHC Carb	4G32	Alt. & Fan - 10.5/11mm Belt T.W.	11A0940
					Alt. & Fan - 13mm Belt T.W.	13A0925
					AC	13A0975
L300	1981-83	SB	1.6L 4 Cyl. 8v SOHC Carb	4G32	Alt. & Fan - 10.5/11mm Belt T.W.	11A0940
					Alt. & Fan - 13mm Belt T.W.	13A0925
					AC	13A0975
L300	1982-83	SB	1.6L 4 Cyl. 8v SOHC Carb	4G62	Alt. & Fan	11A0955
L300	1983-84	SC	1.6L 4 Cyl. 8v SOHC Carb	4G32	Alt. & Fan - 10.5/11mm Belt T.W.	11A0940
					Alt. & Fan - 13mm Belt T.W.	13A0925
					AC	13A0975
L300	1983-84	SC	1.6L 4 Cyl. 8v SOHC Carb	4G62	Alt. & Fan	11A0955
L300	1984-85	SD	1.6L 4 Cyl. 8v SOHC Carb	4G32	Alt. & Fan - 10.5/11mm Belt T.W.	11A0940
					Alt. & Fan - 13mm Belt T.W.	13A0925
					AC	13A0975
L300	1984-85	SD	1.8L 4 Cyl. 8v SOHC Carb	4G62	Alt. & Fan	11A0955
L300	1984-85	SD	2.0L 4 Cyl. 8v SOHC Carb	4G63	Alt. & Fan	11A0965
L300	1985-86	SE	1.6L 4 Cyl. 8v SOHC Carb	4G32	Alt. & Fan - 10.5/11mm Belt T.W.	11A0940
					Alt. & Fan - 13mm Belt T.W.	13A0925
					AC	13A0980
L300	1985-86	SE	2.0L 4 Cyl. 8v SOHC Carb	4G63	Alt. & Fan	11A0965
L300	1994-07		2.5L 4 Cyl. 8v SOHC Diesel	4D56	Alt. - (2 Belts)	11A1075
					AC	13A0915
					PS	4PK1130
LANCER	1996-03	CE	1.8L 4 Cyl. 16v SOHC EFI	4G93	Alt.	4PK775
					AC & PS	5PK1330
					PS	5PK0945
LANCER	1974-77	LA	* 1.4L 4 Cyl. 8v SOHC Carb	4G33	Alt. & Fan - 815mm Belt	10A0815
					Alt. & Fan - 915mm Belt	11A0915
LANCER	1977-79	LB	1.4L 4 Cyl. 8v SOHC Carb	4G33	Alt. & Fan - 815mm Belt	10A0815
					Alt. & Fan - 915mm Belt	11A0915
LANCER	1977-81	LB	1.6L 4 Cyl. 8v SOHC Carb	4G32	Alt. & Fan	11A0925
LANCER	1983-88	C12A	* 1.5L 4 Cyl. 8v SOHC Carb	G15B	Alt. & WP	4PK865
					PS	13A0620
LANCER	1984-90	C14A	* 1.6L 4 Cyl. 8v SOHC Diesel	4D65	Alt.	13A0990
					AC	13A0940
					PS	13A0710
LANCER	1986-90	C37W	* 1.8L 4 Cyl. 8v SOHC Carb	4G37	Alt. & WP	4PK925
					PS	13A0620

Model	Year	Variant	Engine	Engine Code	Description	Part Number
MITSUBISHI CONTINUED						
LANCER	1987-92	C74A	* 1.8L 4 Cyl. 8v SOHC Turbo Diesel	4D65T	Alt. & WP	13A0990
					AC	13A0900
					PS	13A0660
LANCER	1988-91	C62A	* 1.5L 4 Cyl. 12v SOHC Carb	4G15	Alt. & WP	4PK875
					AC	13A0800
					PS	13A0620
LANCER	1988-91	C73A	1.6L 4 Cyl. 16v DOHC EFI	4G61	Alt. & WP	4PK975
					AC	4PK915
					PS	13A0675
LANCER	1988-91	C64	* 1.8L 4 Cyl. 8v SOHC Diesel	4D65	Alt. & WP	13A0990
					AC	13A0900
					PS	13A0660
LANCER	1988-92	CA	1.5L 4 Cyl. 12v SOHC Carb	4G15	Alt. & WP	4PK875
					AC - 815mm Belt	13A0815
					AC - 840mm Belt	13A0840
					PS - Micro-V Belt	4PK865
					PS - V-Belt	13A0620
LANCER	1988-92	C62A	* 1.5L 4 Cyl. 12v SOHC EFI	4G15	Alt. & WP	4PK875
					AC	13A0800
					PS	13A0620
LANCER	1988-93	C63A	* 1.6L 4 Cyl. 16v DOHC EFI	4G61	Alt. & WP	4PK975
					AC	4PK915
					PS	13A0675
LANCER	1990-92	CB	1.5L 4 Cyl. 12v SOHC Carb	4G15	Alt. & WP	4PK875
					AC - 815mm Belt	13A0815
					AC - 840mm Belt	13A0840
					PS - Micro-V Belt	4PK865
					PS - V-Belt	13A0620
LANCER	1990-92	CB	1.5L 4 Cyl. 12v SOHC EFI	4G15	Alt. & WP	4PK875
					AC - 815mm Belt	13A0815
					AC - 840mm Belt	13A0840
					PS - Micro-V Belt	4PK865
					PS - V-Belt	13A0620
LANCER	1990-92	CB1A	1.5L 4 Cyl. 12v SOHC EFI	4G15	Alt. & WP	4PK875
					AC	13A0815
					PS - Micro-V Belt	4PK865
					PS - V-Belt	13A0620
LANCER	1990-92	CB	1.6L 4 Cyl. 16v DOHC EFI	4G61	Alt. & WP	4PK975
					AC	4PK925
					PS	13A0675
LANCER	1991-95	CA3A	* 1.5L 4 Cyl. 16v DOHC EFI	4G91	Alt.	4PK760
					AC	5PK1120
					PS	5PK940
LANCER	1992-96	CC	1.5L 4 Cyl. 12v SOHC Carb	4G15	Alt. & WP	4PK875
					AC & PS	5PK1065
					AC - w/o PS	5PK800
					PS	5PK945
LANCER	1992-96	CC	1.6L 4 Cyl. 16v SOHC EFI	4G92	Alt. & WP	4PK775
					AC	5PK1330
					PS	5PK945

* = NZ Vehicles Only

Model	Year	Variant	Engine	Engine Code	Description	Part Number
MITSUBISHI CONTINUED						
LANCER	1992-96	CC	1.8L 4 Cyl. 16v SOHC EFI	4G93	Alt. & WP	4PK760
					AC & PS	5PK1120
					PS - w/o AC	5PK945
LANCER	1992-96	CC	2.0L 4 Cyl. 16v DOHC EFI	4G63	Tensioner	38413
LANCER	1995-96	CC	1.5L 4 Cyl. 12v SOHC EFI	4G15	Alt. & WP	4PK875
					AC & PS	5PK1065
					AC - w/o PS	5PK800
					PS	5PK945
LANCER	1996-03	CE	1.5L 4 Cyl. 12v SOHC EFI	4G15	Alt. & WP - 4 Rib Belt	4PK775
					Alt. & WP - 5 Rib Belt	5PK865
					AC - w/ PS	5PK1065
					AC - w/o PS	5PK800
LANCER	2002-06	CG	2.0L 4 Cyl. 16v SOHC EFI	4G94	Alt.	4PK775
					AC & PS	5PK1305
					AC - w/o PS	5PK1345
LANCER	2002-06	CH	2.0L 4 Cyl. 16v SOHC EFI	4G94	Alt.	4PK775
					AC & PS	5PK1305
LANCER	2004-08	CH	2.4L 4 Cyl. 16v DOHC EFI	4G69	Serp.	6PK1885
LANCER	2006-09	CS	2.4L 4 Cyl. 16v DOHC EFI	4G69	Serp.	6PK1885
LANCER	2007-09	CJ	2.0L 4 Cyl. 16v DOHC VVT MPFI	4B11	Serp.	6PK2555
LANCER	2007-09	CJ	2.0L 4 Cyl. 16v DOHC VVT Turbo MPFI	4B11T	Serp.	6PK2555
LANCER	2008-09	CJ	2.4L 4 Cyl. 16v DOHC PFI	4B12	Serp.	6PK2555
MAGNA	1985-87	TM	2.6L 4 Cyl. 8v SOHC Carb	4G54	Alt. & PS	4PK1000
					Alt. - w/o PS	4PK830
					AC	13A0965
					WP	11A0545
MAGNA	1985-87	TN	2.6L 4 Cyl. 8v SOHC Carb	4G54	Alt. & PS	4PK1000
					Alt. - w/o PS	4PK0830
					AC	13A0965
					WP	11A0545
MAGNA	1989-92	TP	2.6L 4 Cyl. 8v SOHC Carb	4G54	Alt. & PS	4PK1000
					Alt. - w/o PS	4PK830
					AC	13A0950
					WP	11A0545
MAGNA	1989-92	TP	2.6L 4 Cyl. 8v SOHC EFI	4G54	Alt. & PS	4PK1000
					Alt. - w/o PS	4PK830
					AC	13A0950
					WP	11A0545
MAGNA	1990-94	TR	2.6L 4 Cyl. 8v SOHC EFI	4G54	Alt. & PS	4PK1000
					AC	13A0950
					WP	11A0545
					Idler	38031
MAGNA	1991-94	TR	2.6L 4 Cyl. 8v SOHC Carb	4G54	Alt. & PS	4PK1000
					AC	13A0950
					WP	11A0545
					Idler	38031

Model	Year	Variant	Engine	Engine Code	Description	Part Number
MITSUBISHI CONTINUED						
MAGNA	1993-94	TR	3.0L V6 12v SOHC EFI	6G72	Alt. & PS	5PK1240
					AC	4PK990
					AC - Sedan	4PK945
					Idler Pulley - AC	38031
MAGNA	1993-97	TS	3.0L V6 12v SOHC EFI	6G72	Alt. & PS	5PK1240
					AC	4PK990
					Idler Pulley - AC	38031
MAGNA	1994-96	TS	2.6L 4 Cyl. 8v SOHC Carb	4G54	Alt. & PS	4PK1000
					AC	13A0950
					WP	11A0545
MAGNA	1994-97	TS	2.6L 4 Cyl. 8v SOHC EFI	4G54	Alt. & PS	4PK1000
					AC	13A0950
					WP	11A0545
MAGNA	1996-98	TE	3.0L V6 24v SOHC EFI	6G72	Alt. - w/ AC	6PK1195
					Alt. - w/o AC	6PK1145
					PS	4PK900
MAGNA	1996-99	TE	2.4L 4 Cyl. 16v SOHC EFI	4G64	Alt.	4PK0940
					PS - w/ AC	5PK1370
					PS - w/o AC	5PK1090
MAGNA	1997-00	TF	3.0L V6 24v SOHC EFI	6G72	Alt. - w/ AC - 1195mm Belt	6PK1195
					Alt. - w/ AC - 1215mm Belt	6PK1215
					Alt. - w/o AC	6PK1145
					PS	4PK900
MAGNA	1997-99	TF	2.4L 4 Cyl. 16v SOHC EFI	4G64	Alt.	4PK940
					PS - w/ AC	5PK1370
					PS - w/o AC	5PK1090
MAGNA	1998-00	TH	3.0L V6 24v SOHC EFI	6G72	Alt. - w/ AC - to 8/99	6PK1195
					Alt. - w/ AC - from 9/99	6PK1215
					Alt. - w/o AC	6PK1145
					PS	4PK900
MAGNA	1998-00	TH	3.5L V6 24v SOHC EFI	6G74	Alt. - w/ AC - to 8/99	6PK1195
					Alt. - w/ AC - from 9/99	6PK1215
					Alt. - w/o AC	6PK1145
					PS	4PK900
MAGNA	2000-03	TJ	3.0L V6 24v SOHC EFI	6G72	Alt. - w/ AC - 1195mm Belt	6PK1195
					Alt. - w/ AC - 1215mm Belt	6PK1215
					Alt. - w/o AC	6PK1145
					PS	4PK900
MAGNA	2000-03	TJ	3.5L V6 24v SOHC EFI	6G74	Alt. - w/ AC - 1195mm Belt	6PK1195
					Alt. - w/ AC - 1215mm Belt	6PK1215
					Alt. - w/o AC	6PK1145
					PS	4PK900
MAGNA	2003-04	TL	3.0L V6 24v SOHC EFI	6G72	Alt. - w/ AC - 1195mm Belt	6PK1195
					Alt. - w/ AC - 1215mm Belt	6PK1215
					PS	4PK900

* = NZ Vehicles Only

Model	Year	Variant	Engine	Engine Code	Description	Part Number
MITSUBISHI CONTINUED						
MAGNA	2003-05	TL	3.5L V6 24v SOHC EFI	6G74	Alt. - w/ AC - 1195mm Belt	6PK1195
					Alt. - w/ AC - 1215mm Belt	6PK1215
					PS	4PK900
MAGNA	2004-05	TW	3.5L V6 24v SOHC EFI	6G74	AC - 1195mm Belt	6PK1195
					AC - 1215mm Belt	6PK1215
					PS	4PK900
MIRAGE	1996-04	CE	1.5L 4 Cyl. 12v SOHC EFI	4G15	Alt. & WP - 4 Rib Belt	4PK775
					Alt. & WP - 5 Rib Belt	5PK865
					AC & PS	5PK1065
					AC - w/o PS	5PK800
					PS	5PK940
					Tensioner Pulley	38037
NIMBUS	1984-85	UA	1.8L 4Cyl. 8v SOHC Carb	4G37	Alt.	11A0940
					AC	13A0865
NIMBUS	1986-87	UB	1.8L 4Cyl. 8v SOHC Carb	4G37	Alt. - Micro V	4PK940
					Alt. - V Belt	11A0940
					AC	13A0865
					Fan. & PS	13A0660
NIMBUS	1987-92	UC	2.0L 4 Cyl. 16v DOHC Carb	4G63	Alt. & WP	4PK990
					PS	13A0675
					AC	13A0980
NIMBUS	1992	UF	2.4L 4 Cyl. 8v SOHC EFI	4G64	Alt. & WP	4PK990
					AC	4PK960
					PS	6PK640
NIMBUS	1992-95	UF	2.4L 4 Cyl. 16v SOHC EFI	4G64	Alt. & WP	4PK990
					AC	4PK960
					PS	6PK640
NIMBUS	1998-04	UG	2.4L 4 Cyl. 16v SOHC EFI	4G64	Alt.	5PK940
					AC & PS	5PK1390
OUTLANDER	2002-06	ZE	2.4L 4 Cyl. 16v SOHC EFI	4G64	Serp.	6PK1842
OUTLANDER	2003-07	ZF	2.4L 4 Cyl. 16v SOHC EFI	4G69	Serp.	6PK1842
PAJERO	1982-84	NA	2.6L 4 Cyl. 8v SOHC Carb	4G54	Alt.	11A0950
					AC	11A1055
					PS	13A0750
PAJERO	1983-94	NA	2.3L 4 Cyl. 8v SOHC Turbo Diesel	4D55T	Alt.	15A1060
					PS	13A0795
PAJERO	1984-85	NB	2.3L 4 Cyl. 8v SOHC Turbo Diesel	4D55T	Alt.	15A1060
					PS	13A0795
PAJERO	1984-86	NB	2.6L 4 Cyl. 8v SOHC Carb	4G54	Alt.	11A0950
					AC	11A1055
					PS	13A0750
PAJERO	1985-86	NC	2.3L 4 Cyl. 8v SOHC Turbo Diesel	4D55T	Alt.	15A1060
					PS	13A0795
PAJERO	1985-86	NC	2.6L 4 Cyl. 8v SOHC Carb	4G54	Alt.	11A0950
					AC	11A1055
					PS	13A0750
PAJERO	1986-87	ND	2.6L 4 Cyl. 8v SOHC Carb	4G54	Alt.	11A0950
					AC	11A1055
					PS	13A0750

Model	Year	Variant	Engine	Engine Code	Description	Part Number
MITSUBISHI CONTINUED						
PAJERO	1986-90	NE	2.5L 4 Cyl. 8v SOHC Turbo DI	4D56T	Alt.	15A1080
					PS	11A0785
PAJERO	1986-91	ND	2.5L 4 Cyl. 8v SOHC Turbo Diesel	4D56T	Alt.	15A1080
					PS	11A0785
PAJERO	1987-88	NE	2.6L 4 Cyl. 8v SOHC Carb	4G54	Alt.	11A0950
					AC	11A1055
					PS	13A0750
PAJERO	1988-89	NF	2.5L 4 Cyl. 8v SOHC Turbo Diesel	4D56T	Alt. & Fan	15A1080
					AC	13A0925
					PS	13A0800
PAJERO	1988-90	NF	2.6L 4 Cyl. 8v SOHC Carb	4G54	Alt. & Fan	13A0980
					AC	11A1055
					PS	13A0750
PAJERO	1988-90	NF	3.0L V6 12v SOHC EFI	6G72	Alt. & Fan	5PK1345
					AC	13A0940
					PS	13A0825
PAJERO	1989-91	NG	2.5L 4 Cyl. 8v SOHC Turbo Diesel	4D56T	Alt. & Fan	15A1080
					AC	13A0925
					PS	13A0800
PAJERO	1989-91	NG	2.6L 4 Cyl. 8v SOHC Carb	4G54	Alt. & Fan	13A0980
					AC	11A1055
					PS	13A0750
PAJERO	1989-91	NG	3.0L V6 12v SOHC EFI	6G72	Alt. & Fan	5PK1345
					AC	13A0940
					PS	13A0825
PAJERO	1991-93	NH	2.5L 4 Cyl. 8v SOHC Turbo Diesel	4D56T	Alt.	15A1080
					Fan & PS - 10.5/11mm Belt T.W.	11A0785
					Fan & PS - 12.5mm Belt T.W.	13A0795
					AC	13A0925
PAJERO	1991-93	NH	2.6L 4 Cyl. 8v SOHC Carb	4G54	Alt.	13A0980
					AC	11A1055
					PS	13A0750
PAJERO	1991-94	NH	3.0L V6 12v SOHC EFI	6G72	Alt.	5PK1345
					AC	13A0940
					PS	13A0825
PAJERO	1991-99	NK	3.0L V6 12v SOHC EFI	6G72	Alt. & WP	5PK1345
					AC	13A0940
					PS	4PK960
PAJERO	1993-00	NK	2.8L 4 Cyl. 8v SOHC Diesel	4M40	Alt. & Fan - (2 Belts)	11A0980
					AC	13A0950
PAJERO	1993-00	NJ	2.8L 4 Cyl. 8v SOHC Turbo Diesel	4M40T	Alt. & Fan - (2 Belts)	11A0980
					AC	13A0950
PAJERO	1993-00	NK	2.8L 4 Cyl. 8v SOHC Turbo Diesel	4M40T	Alt. & Fan - (2 Belts)	11A0980
					AC	13A0950
PAJERO	1993-96	NJ	2.8L 4 Cyl. 8v SOHC Diesel	4M40	Alt. & Fan - (2 Belts)	11A0980
					AC	13A0950

* = NZ Vehicles Only

Model	Year	Variant	Engine	Engine Code	Description	Part Number
MITSUBISHI CONTINUED						
PAJERO	1993-96	NJ	3.0L V6 12v SOHC EFI	6G72	Alt. & Fan	5PK1345
					AC	13A0940
					PS	13A0825
PAJERO	1993-96	NJ	3.5L V6 24v DOHC EFI	6G74	Alt.	5PK1345
					Alt. & WP - 4 Rib Belt	4PK1065
					Alt. & WP - 5 Rib Belt	5PK1120
					AC - Micro V	4PK1005
					AC - V Belt	13A0925
					PS	13A0825
PAJERO	1996-97	NK	3.5L V6 24v DOHC GDI	6G74	Alt.	5PK1137
					AC	13A0925
					PS	4PK1065
PAJERO	1997-00	NL	2.8L 4 Cyl. 8v SOHC Turbo Diesel	4M40T	Alt.	11A0980
					AC	13A0950
					WP	11A0980
PAJERO	1997-00	NL	2.8L 4 Cyl. 8v SOHC Diesel	4M40	Alt.	11A0980
					AC	13A0950
PAJERO	1997-00	NL	3.5L V6 24v DOHC MPFI	6G74	Alt.	5PK1137
					AC	13A0925
					PS	4PK975
PAJERO	1998-01	NM	3.2L 4 Cyl. V6 16v DOHC Turbo Diesel	4M41T	Alt.	11A0965
					AC	13A0915
PAJERO	2000-02	NM	2.8L4 Cyl. 8v SOHC Turbo Diesel	4M40T	Alt. - (2 Belts)	11A0955
					AC	13A0950
					PS	11A0980
PAJERO	2000-02	NM	3.5L V6 24v DOHC GDI	6G74	Serp.	7PK2415
PAJERO	2002-07	NP	3.2L 4 Cyl. 16v DOHC Turbo Diesel	4M41T	Alt.	11A0965
					AC	13A0915
PAJERO	2002-07	NP	3.5L V6 24v DOHC GDI	6G74	Serp.	7PK2415
PAJERO	2002-07	NP	3.8L V6 24v SOHC EFI	6G75	Serp.	7PK2415
PAJERO	2006-07	NS	3.8L V6 24v SOHC EFI	6G75	Serp.	7PK2415
PAJERO	2008-09	NS	3.2L 4 Cyl. 16v DOHC Turbo Diesel	4M41T	Alt.	11A0965
					AC	13A0915
PAJERO IO	1998-02	QA	1.8L 4 Cyl. 16v DOHC GDI	4G93	Alt.	4PK775
					AC & PS	5PK1345
					PS - w/o AC	5PK1080
PAJERO IO	1999-01	QA	1.6L 4 Cyl. 16v SOHC EFI	4G18	Alt.	5PK865
					AC & PS	5PK1345
					PS - w/o AC	5PK1000
PAJERO IO	2001-03	QA	2.0L 4 Cyl. 16v DOHC GDI	4G94	Alt.	4PK775
					PS - w/o AC	5PK1080
ROSA	2003-06	BE649	3.9L 4 Cyl. 8v OHV Diesel	4D34	Alt. - (2 Belts)	13A1175
SCORPION	1978-79	GE	2.6L 4 Cyl. 8v SOHC Carb	4G52	Alt.	11A0990
					AC	13A1040
SCORPION	1979-80	GH	2.6L 4 Cyl. 8v SOHC Carb	4G54	Alt.	11A0950
					AC	11A1040
					PS	13A0750
SCORPION	1980-81	GJ	2.6L 4 Cyl. 8v SOHC Carb	4G54	Alt.	11A0950
					AC	11A1040
					PS	13A0750

Model	Year	Variant	Engine	Engine Code	Description	Part Number
MITSUBISHI CONTINUED						
SCORPION	1982	GK	2.6L 4 Cyl. 8v SOHC Carb	4G54	Alt.	11A0950
					AC	11A1040
					PS	13A0750
SCORPION	1982-85	GL	2.6L 4 Cyl. 8v SOHC Carb	4G54	Alt.	11A0950
					AC	11A1040
					PS	13A0750
SIGMA	1977-80	GE	1.6L 4 Cyl. 8v SOHC Carb	4G32	Alt. & Fan - to Ser. #: JA31	11A0815
					Alt. & Fan - from Ser. #: JA31	11A0950
SIGMA	1977-80	GE	1.9L 4 Cyl. 8v SOHC Carb	4G51	Alt. & Fan	11A0980
SIGMA	1977-80	GE	2.0L 4 Cyl. 8v SOHC Carb	4G52	Alt. & Fan	11A0990
					AC	13A1040
					PS	13A0750
SIGMA	1977-80	GE	2.6L 4 Cyl. 8v SOHC Carb	4G54	Alt. & Fan	11A0980
					AC (2 Belts)	13A1040
					PS	13A0750
SIGMA	1980-82	GH	1.6L 4 Cyl. 8v SOHC Carb	4G32	Alt. & Fan - to Ser. #: JA31	10A0815
					Alt. & Fan - from Ser. #: JA31	11A0950
SIGMA	1980-82	GH	2.0L 4 Cyl. 8v SOHC Carb	4G52	Alt. & Fan	11A0990
					AC	13A1040
					PS	13A0750
SIGMA	1980-82	GH	2.6L 4 Cyl. 8v SOHC Carb	4G54	Alt. & Fan	11A0990
					AC (2 Belts)	13A1040
					PS	13A0750
SIGMA	1982-84	GJ	1.6L 4 Cyl. 8v SOHC Carb	4G32	Alt. & Fan - Micro-V Belt	4PK925
					Alt. & Fan - V-Belt	11A0925
					AC	11A0890
					PS	13A0750
SIGMA	1982-84	GJ	2.0L 4 Cyl. 8v SOHC Carb	4G52	Alt. & Fan - Micro-V Belt	4PK980
					Alt. & Fan - V-Belt	11A0990
					AC	11A1060
					PS	13A0750
SIGMA	1982-84	GJ	2.6L 4 Cyl. 8v SOHC Carb	4G54	Alt. & Fan	11A0925
					AC	11A1040
					PS	13A0750
SIGMA	1984-85	GK	1.6L 4 Cyl. 8v SOHC Carb	4G32	Alt. & Fan - Micro-V Belt	4PK940
					AC	11A0890
					PS	13A0750
SIGMA	1984-85	GK	2.0L 4 Cyl. 8v SOHC Carb	4G52	Alt. & Fan - V-Belt	11A0980
					AC	11A1060
					PS	13A0750
SIGMA	1984-85	GK	2.6L 4 Cyl. 8v SOHC Carb	4G54	Alt. & Fan	11A0950
					AC	11A1040
					PS	13A0750
SIGMA	1985-87	GN	2.0L 4 Cyl. 8v SOHC Carb	4G52	Alt. & Fan - Micro-V Belt	4PK980
					Alt. & Fan - V-Belt	11A0980
					AC	11A1055
					PS	13A0750

* = NZ Vehicles Only

Model	Year	Variant	Engine	Engine Code	Description	Part Number
MITSUBISHI CONTINUED						
SIGMA	1985-87	GN	2.6L 4 Cyl. 8v SOHC Carb	4G54	Alt. & Fan	11A0925
					AC	11A1040
					PS	13A0750
STARWAGON	1986-90	SF	2.0L 4 Cyl. 8v SOHC Carb	4G63	Alt. & Fan	13A1015
					AC	13A0940
					PS	13A0980
STARWAGON	1986-90	SF	2.4L 4 Cyl. 8v SOHC Carb	4G64	Alt. & Fan	13A1005
					AC	13A0940
					PS	13A0990
STARWAGON	1990-91	SG	2.0L 4 Cyl. 16v DOHC Carb	4G63	Alt. & Fan	13A1015
					AC	13A0940
					PS	13A0980
STARWAGON	1990-91	SG	2.4L 4 Cyl. 8v SOHC Carb	4G64	Alt. & Fan	13A1005
					AC	13A0940
					PS	13A0990
STARWAGON	1991-94	SH	2.0L 4 Cyl. 8v SOHC Carb	4G63	Alt. & Fan	13A1015
					AC	13A0940
					PS	13A0980
STARWAGON	1991-95	SH	2.4L 4 Cyl. 8v SOHC EFI	4G64	Alt. & Fan	13A1005
					AC	13A0940
					PS	13A0990
STARWAGON	1994-03	SJ	2.0L 4 Cyl. 16v SOHC Carb	4G63	Alt.	4PK990
					AC	4PK940
					PS	4PK1050
STARWAGON	1994-03	WA	2.0L 4 Cyl. 16v SOHC Carb	4G63	Alt.	4PK990
					AC	4PK940
					PS	4PK650
STARWAGON	1994-04	WA	2.4L 4 Cyl. 16v SOHC EFI	4G64	Alt.	4PK990
					Alt. & AC	6PK1155
					AC	4PK0940
					PS	4PK1040
STARWAGON	1994-96	WA	3.0L V6 24v SOHC EFI	6G72	Alt.	6PK1080
					AC	13A0980
TREDIA	1982-84	TT	* 1.6L 4 Cyl. 8v SOHC Carb	4G32	Alt. & WP - Micro-V Belt	4PK945
					Alt. & WP - V-Belt	11A0925
TREDIA	1982-87	TY	* 1.6L 4 Cyl. 8v SOHC Carb	4G32	Alt. & WP - Micro-V Belt	4PK945
					Alt. & WP - V-Belt	11A0925
TREDIA	1984-86	TV	* 1.6L 4 Cyl. 8v SOHC Carb	4G32	Alt. & WP - Micro-V Belt	4PK945
					Alt. & WP - V-Belt	11A0925
TREDIA	1985-86	TX	* 1.8L 4 Cyl. 8v SOHC Carb	4G37	Alt. & WP	4PK945
					AC	13A1015
					PS	13A0620
TREDIA	1985-87	TX	* 1.6L 4 Cyl. 8v SOHC Carb	4G32	Alt. & WP - V-Belt	11A0925
					Alt. & WP - Micro-V Belt	4PK945
TREDIA	1985-87	TY	* 1.8L 4 Cyl. 8v SOHC Carb	4G37	Alt. & WP	4PK945
					AC	13A1015
					PS	13A0620

* = NZ Vehicles Only

Model	Year	Variant	Engine	Engine Code	Description	Part Number
MITSUBISHI CONTINUED						
TREDIA	1986-88	TZ	* 1.6L 4 Cyl. 8v SOHC Carb	4G32	Alt. & WP - V-Belt	11A0925
					Alt. & WP - Micro-V Belt	4PK945
TREDIA	1986-88	TZ	* 1.8L 4 Cyl. 8v SOHC Carb	4G37	Alt. & WP	4PK945
					AC	13A1015
					PS	13A0620
TRITON	1986-88	ME	2.5L 4 Cyl. 8v SOHC Diesel	4D56	Alt. & Fan	15A1080
					AC	13A0925
					PS	11A0785
TRITON	1986-88	ME	2.6L 4 Cyl. 8v SOHC Carb	4G54	Alt. & Fan	11A0915
					AC	11A1055
					PS	13A0750
TRITON	1988-89	MF	2.6L 4 Cyl. 8v SOHC Diesel	4G54	Alt. & Fan	11A0915
					AC	11A1055
					PS	13A0750
TRITON	1988-90	MF	2.5L 4 Cyl. 8v SOHC Diesel	4D56	Alt. & Fan	15A1080
					AC	13A0925
					PS	11A0785
TRITON	1989-90	MG	2.5L 4 Cyl. 8v SOHC Diesel	4D56	Alt. & Fan	15A1080
					AC	13A0925
					PS	11A0785
TRITON	1989-91	MG	2.6L 4 Cyl. 8v SOHC Carb	4G54	Alt. & Fan	11A0915
					AC	11A1055
					PS	13A0750
TRITON	1990-91	MH	2.5L 4 Cyl. 8v SOHC Diesel	4D56	Alt.	15A1080
					AC	13A0925
					PS	11A0785
TRITON	1990-92	MH	2.5L 4 Cyl. 8v SOHC Turbo EFI	4D56T	Alt.	15A1080
					AC	13A0925
					PS	11A0785
TRITON	1990-92	MH	2.6L 4 Cyl. 8v SOHC Carb	4G54	Alt.	11A0940
					AC	11A1055
					PS	13A0750
TRITON	1990-93	MH	3.0L V6 12v SOHC EFI	6G72	Alt. & Fan	5PK1345
					AC	13A0940
					PS	13A0815
TRITON	1992-96	MJ	2.5L 4 Cyl. 8v SOHC Turbo EFI	4D56T	Alt.	15A1080
					AC	13A0925
					PS	11A0785
TRITON	1992-96	MJ	3.0L V6 12v SOHC EFI	6G72	Alt.	5PK1345
					AC	13A0940
					PS	13A0815
TRITON	1992-97	MJ	2.5L 4 Cyl. 8v SOHC Diesel	4D56	Alt.	15A1080
					AC	13A0925
					PS	11A0785
TRITON	1992-97	MJ	2.6L 4 Cyl. 8v SOHC Carb	4G54	Alt.	11A0965
					AC	11A1055
					PS	13A0750

* = NZ Vehicles Only

Model	Year	Variant	Engine	Engine Code	Description	Part Number
MITSUBISHI CONTINUED						
TRITON	1996-06	MK	2.4L 4 Cyl. 16v SOHC EFI	4G64	Alt.	4PK990
					AC	4PK940
					PS	4PK1050
TRITON	1996-06	MK	2.5L 4 Cyl. 8v SOHC Turbo Diesel	4M40T	Alt. - (2 Belts)	11A0980
					AC	13A0950
TRITON	1996-06	MK	2.8L 4 Cyl. 8v SOHC Diesel	4M40	Alt.	11A0980
					AC	13A0950
TRITON	1996-06	MK	3.0L V6 24v SOHC EFI	6G72	Alt. & WP	5PK1145
					AC	13A0915
					PS	4PK960
V3000	1988-93	EA	3.0L V6 12v SOHC EFI	6G72	Alt. & AC	6PK1145
					Alt. & PS - w/o AC	6PK1080
					PS - w/ AC	13A0925
V3000	1988-93	EB	3.0L V6 12v SOHC EFI	6G72	Alt. & AC	6PK1145
					Alt. & PS - w/o AC	6PK1080
					PS - w/ AC	13A0925
V3000	1988-93	EC	3.0L V6 12v SOHC EFI	6G72	Alt. & AC	6PK1145
					Alt. & PS - w/o AC	6PK1080
					PS - w/ AC	13A0925
V3000	1988-93	KR	3.0L V6 12v SOHC EFI	6G72	Alt. & AC	6PK1145
					Alt. & PS - w/o AC	6PK1080
					PS - w/ AC	13A0925
VERADA	1991-94	KR	3.0L V6 12v SOHC EFI	6G72	Alt. & PS	5PK1240
					AC	4PK990
					Idler Pulley - AC	38031
VERADA	1993-97	KS	3.0L V6 12v SOHC EFI	6G72	Alt. & PS	5PK1240
					AC	4PK990
					Idler Pulley - AC	38031
VERADA	1996-97	KE	3.5L V6 24v SOHC EFI	6G74	Serp. - w/ AC	6PK1215
					Serp. - w/o AC	6PK1195
					PS	4PK900
VERADA	1997-99	KF	3.5L V6 24v SOHC EFI	6G74	Serp. - w/ AC	6PK1215
					Serp. - w/o AC	6PK1195
					PS	4PK900
VERADA	1998-00	KH	3.5L V6 24v SOHC EFI	6G74	Serp. - w/ AC	6PK1215
					Serp. - w/o AC	6PK1195
					PS	4PK900
VERADA	2000-03	KJ	3.5L V6 24v SOHC EFI	6G74	Serp. - w/ AC	6PK1215
					Alt. - w/o AC	6PK1195
					PS	4PK900
VERADA	2003-05	KL	3.5L V6 24v SOHC EFI	6G74	Serp. - w/ AC	6PK1215
					Serp. - w/o AC	6PK1195
VERADA	2004-05	KW	3.5L V6 24v SOHC EFI	6G74	Serp. - w/ AC	6PK1215
					Serp. - w/o AC	6PK1195
					PS	4PK900

Model	Year	Variant	Engine	Engine Code	Description	Part Number
NISSAN						
1000	1968-70	B100	1.0L 4 Cyl. 8v OHV Carb	A10	Alt. & Fan	11A0840
1200	1970-74	B110	1.2L 4 Cyl. 8v OHV Carb	A12	Alt. & Fan	11A0840
1200	1971-85	B120	1.2L 4 Cyl. 8v OHV Carb	A12	Alt. & Fan	11A0965
					AC	13A0755
120Y	1974-79	B210	1.2L 4 Cyl. 8v OHV Carb	A12	Alt. & Fan	11A0990
					AC	13A0755
160B	1979-80	810	* 1.6L 4 Cyl. 8v SOHC Carb	L16	Alt. & Fan	10A0900
180SX	1988-91	S13	1.8L 4 Cyl. 16v DOHC Turbo EFI	CA18DET	Alt.	4PK855
					AC	4PK845
					PS - 3 Rib Belt	3PK840
					PS - 4 Rib Belt	4PK940
180SX	1991-95	S13	2.0L 4 Cyl. 16v DOHC Turbo EFI	SR20DET	Alt. & AC	3PK875
					Alt. - w/o AC	5PK940
					PS	3PK875
200B	1977-82	810	2.0L 4 Cyl. 8v SOHC Carb	L20B	Alt. & Fan	10A0900
200SX	1994-00	S14	2.0L 4 Cyl. 16v DOHC Turbo EFI	SR20DET	Alt. & WP	5PK940
					AC	4PK0925
					PS	3PK875
200SX	1999-03	S15	2.0L 4 Cyl. 16v DOHC Turbo EFI	SR20DET	Alt. & WP	5PK940
					AC	4PK880
					PS	3PK875
240C	1971-72	230	* 2.4L 6 Cyl. 12v SOHC Carb	L24	Alt. & Fan	10A0900
					AC	15A0945
					PS	13A0710
240K	1971-73	C11	2.4L 6 Cyl. 12v SOHC Carb	L24	Alt. & Fan	13A0890
					AC	15A0945
					PS	13A0710
240Z	1970-74	S30	2.4L 6 Cyl. 12v SOHC Carb	L24	Alt. & Fan - to 7/1972	11A0850
					Alt. & Fan - from 07/1972	13A0850
260C	1972-77	230	2.6L 6 Cyl. 12v SOHC Carb	L26	Alt. & Fan	13A0890
					PS	13A1230
260C	1972-78	330	2.6L 6 Cyl. 12v SOHC Carb	L26	Alt. & Fan	13A0890
					PS	13A1230
260Z	1975-78	S30	2.6L 6 Cyl. 12v SOHC Carb	L26	Alt. & Fan	13A0890
					PS	13A1230
280C	1979-84	430	2.8L 6 Cyl. 12v SOHC EFI	L28	Alt. & Fan	13A0890
					AC	15A0945
					PS	13A1230
280ZX	1987-84	S130	2.8L 6 Cyl. 12v SOHC EFI	L28E	Alt. & Fan	13A0890
					AC	13A0925
					PS	13A1155
300C	1984-88	Y30	3.0L V6 V6 12v SOHC EFI	VG30E	Alt. & Fan	13A0925
					AC	13A1450
					PS	13A1055
300ZX	1986-89	Z31	3.0L V6 12v SOHC Turbo EFI	VG30ET	Alt. & Fan	4PK1030
					AC	4PK1420
					PS	3PK1000
300ZX	1987-89	Z31	3.0L V6 12v SOHC EFI	VG30E	Alt. & Fan	4PK1015
					AC	13A1450
					PS	13A1055

* = NZ Vehicles Only

Model	Year	Variant	Engine	Engine Code	Description	Part Number
NISSAN CONTINUED						
300ZX	1989-97	Z32	3.0L V6 24v DOHC EFI	VG30DE	Alt.	4PK1030
					AC	4PK980
300ZX	1989-97	Z32	3.0L V6 24v DOHC Twin Turbo EFI	VG30DETT	Alt.	4PK1030
					AC	4PK980
350Z	2002-07	Z33	3.5L V6 24v DOHC EFI	VQ35DE	Alt.	6PK1170
					AC	4PK950
620	1971-80		1.5L 4 Cyl. 8v OHV Carb	J15	Alt.	11A0965
720	1979-83	SG720	2.2L 4 Cyl. 8v OHV Diesel	SD22	Alt. & Fan	13A0965
					AC	11A0840
720	1979-85	PG720	1.8L 4 Cyl. 8v SOHC Carb	L18	Alt. & Fan	11A0890
					AC	11A0875
720	1979-85	UP720	1.8L 4 Cyl. 8v SOHC Carb	L18	Alt. & Fan	11A0890
					AC	11A0875
720	1980-85	KP720	1.8L 4 Cyl. 8v SOHC Carb	L18	Alt. & Fan	11A0890
					AC	11A0875
720	1980-86		1.8L 4 Cyl. 8v SOHC Carb	L18	Alt. & Fan	11A0890
					AC	11A0875
720	1981-82	US720	2.2L 4 Cyl. 8v OHV Diesel	SD22	Alt. & Fan	13A0965
					AC	11A0840
720	1981-83	KS720	2.2L 4 Cyl. 8v OHV Diesel	SD22	Alt. & Fan	13A0965
					AC	11A0840
720	1982-85	SGY720	2.2L 4 Cyl. 8v OHV Diesel	SD22	Alt. & Fan	13A0965
					AC	11A0840
720	1982-85	USY720	2.2L 4 Cyl. 8v OHV Diesel	SD22	Alt. & Fan	13A0965
					AC	11A0840
720	1982-85	USY720	2.5L 4 Cyl. 8v OHV Diesel	SD25	Alt. & Fan	13A0980
					AC	13A0840
					PS	13A1170
720	1983-85	JGY720	2.5L 4 Cyl. 8v OHV Diesel	SD25	Alt. & Fan	13A0980
					AC	13A0840
					PS	13A1170
720	1983-86	AG720	2.3L 4 Cyl. 8v OHV Diesel	SD23	Alt. & Fan	13A0965
720	1984-87	AGY720	2.3L 4 Cyl. 8v OHV Diesel	SD23	Alt. & Fan	13A0965
AUSTER	1983-85	T11	1.8L 4 Cyl. 8v SOHC Carb	CA18	Alt. & WP	11A0875
					AC	15A0890
					PS	11A0660
AVENIR	1990-93	W10	* 1.8L 4 Cyl. 16v DOHC EFI	SR18DI	Alt.	4PK825
					AC	6PK1035
					PS	4PK835
AVENIR	1990-98	W10	* 2.0L 4 Cyl. 16v DOHC EFI	SR20DE	Alt.	4PK825
					AC	6PK1035
					PS	4PK835
AVENIR	1990-98	W10	* 2.0L 4 Cyl. 8v SOHC Diesel	CD20	Alt. & WP	13A0865
					AC	13A0875
					PS	13A0815
AVENIR	1993-98	W10	* 1.8L 4 Cyl. 16v DOHC EFI	SR18DE	Alt.	4PK825
					AC	6PK1035
					PS	4PK835

Model	Year	Variant	Engine	Engine Code	Description	Part Number
NISSAN CONTINUED						
BLUEBIRD	1980-84	910	1.6L 4 Cyl. 8v SOHC Carb	L16	Alt. - w/ AC	11A0800
					Alt. & WP - w/o AC	11A1065
					Alt. & WP	10A0900
					AC - 870mm Belt	15A0870
					AC - 890mm Belt	15A0890
					AC - 910mm Belt	15A0910
					PS & WP	11A0955
BLUEBIRD	1980-84	Series 1	2.0L 4 Cyl. 8v SOHC Carb	L20B	Alt. & Fan	11A0900
					AC	13A0870
BLUEBIRD	1983-86	Series 2	2.0L 4 Cyl. 8v SOHC Carb	L20B	Alt. & Fan	11A0900
					AC	13A0870
BLUEBIRD	1983-92	U11	* 2.0L 4 Cyl. 8v SOHC Carb	CA20S	Alt. - w/ AC	4PK740
					Alt. - w/o AC	4PK725
					AC	6PK875
					PS & WP	4PK890
BLUEBIRD	1984-90	U11	* 2.0L 4 Cyl. 8v SOHC EFI	CA20E	Alt. - w/ AC	4PK740
					Alt. - w/o AC	4PK725
					AC	6PK875
					PS & WP	4PK890
BLUEBIRD	1985-86	Series 3	2.0L 4 Cyl. 8v SOHC Carb	CA20S	Alt.	11A0865
					AC	13A0850
BLUEBIRD	1987-91	U12	* 1.6L 4 Cyl. 8v SOHC Carb	CA16	Alt. - w/ AC	4PK700
					Alt. - w/ PS, w/o AC	6PK730
					Alt. & WP	11A1065
					AC	6PK875
					PS & WP	4PK915
BLUEBIRD	1987-91	U12	1.8L 4 Cyl. 16v DOHC EFI	CA18DE	Alt. - w/ AC	4PK700
					Alt. - w/ PS, w/o AC	6PK730
					Alt. & WP - w/o PS, w/o AC	4PK960
					AC	6PK875
					PS & WP	4PK915
BLUEBIRD	1988-91	U12	1.8L 4 Cyl. 16v DOHC Turbo EFI	CA18DET	Alt. - w/ AC	4PK700
					Alt. - w/ PS, w/o AC	6PK730
					Alt. & WP - w/o PS, w/o AC	4PK960
					AC	6PK875
					PS & WP	4PK915
BLUEBIRD	1991-92	U13	2.4L 4 Cyl. 12v SOHC EFI	KA24E	Alt., PS & WP	6PK1335
					AC	4PK865
					Idler Pulley AC	38044
CABSTAR	1982-90	H40	3.3L 4 Cyl. 8v SOHC Diesel	ED33	Alt.	13A1065
					Alt., PS & WP - (2 Belts)	6PK1335
					AC	13A1320
CABSTAR	1984-87	H40	2.2L 4 Cyl. 8v SOHC Carb	Z22	Alt.	11A0965
					AC	11A0940
CABSTAR	1984-88	H40	2.2L 4 Cyl. 8v SOHC DI	Z22	Alt.	11A0965
					AC	11A0940
CEDRIC	1983-85	Y30	* 2.0L 4 Cyl. 8v SOHC Carb	CA20S	Alt. & WP	11A0875
					AC	13A0865
					PS	13A0815

* = NZ Vehicles Only

Model	Year	Variant	Engine	Engine Code	Description	Part Number
NISSAN CONTINUED						
CEDRIC	1983-85	Y30	2.0L V6 12v SOHC EFI	VG20E	Alt.	13A0925
					AC	13A1450
					PS	13A1055
CEDRIC	1983-85	Y30	* 2.8L 6 Cyl. 12v SOHC Diesel	LD28	Alt. & Fan - w/ AC	13A1015
					AC	11A0915
CEDRIC	1985-92	Y30	* 2.8L 6 Cyl. 12v SOHC Diesel	RD28	Alt. & Fan	13A1155
					AC	13A0940
					PS	13A1080
CEFIRO	1992-07	A31	* 2.5L 6 Cyl. 24v DOHC EFI	RB25DE	Alt.	4PK865
					AC	4PK925
					PS	4PK835
CEFIRO	1992-95	A31	* 2.0L 6 Cyl. 12v SOHC EFI	RB20E	Alt.	4PK865
					AC	4PK925
					PS - 3 Rib Belt	3PK865
					PS - 4 Rib Belt	4PK850
EXA	1986-91	N13	1.6L 4 Cyl. 16v DOHC EFI	CA16DE	Alt. - w/ AC	4PK715
					Alt. - w/o AC	6PK730
					AC	6PK890
					PS & WP	4PK940
EXA	1987-91	N13	1.8L 4 Cyl. 16v DOHC EFI	CA18DE	Alt. - w/ AC	4PK715
					Alt. - w/o AC	6PK730
					AC	6PK890
					PS & WP	4PK940
FAIRLADY	1983-86	Z31	2.0L V6 12v SOHC Turbo EFI	VG20ET	Alt. & WP	4PK1030
					AC	13A1450
					PS	13A1040
GAZELLE	1983-86	S12	* 1.8L 4 Cyl. 8v SOHC EFI	CA18E	Alt. & WP	11A0875
					AC	13A0850
					PS	13A0815
GAZELLE	1984-88	S12	2.0L 4 Cyl. 8v SOHC EFI	CA20E	Alt. & WP	11A0890
					AC	13A0870
					PS	13A0825
GLORIA	1983-85	Y30	2.0L 4 Cyl. 8v SOHC Carb	CA20S	Alt. & WP	11A0875
					AC	13A0865
					PS	13A0815
GLORIA	1983-85	Y30	* 2.0L V6 12v SOHC EFI	VG20E	Alt.	13A0925
					AC	13A1450
					PS	13A1055
GLORIA	1985-88	Y30	2.8L 6 Cyl. 12v SOHC Diesel	RD28	Alt. & Fan	13A1155
					AC	13A0940
					PS	13A1080
INFINITI	1993-97	G50	4.5L V8 32v DOHC EFI	VH45DE	Alt.	6PK965
					AC	4PK980
					PS & WP	4PK1270
LANGLEY	1982-86	N12	* 1.5L 4 Cyl. 8v SOHC Carb	E15S	Alt. & WP	11A0990
					AC	13A0815
					PS	13A0965
LANGLEY	1986-90	N13	* 1.5L 4 Cyl. 8v SOHC Carb	E15S	Alt. & Fan	4PK990
					AC	13A0815
					PS	13A0940

Model	Year	Variant	Engine	Engine Code	Description	Part Number
NISSAN CONTINUED						
LANGLEY	1988-90	N13	* 1.5L 4 Cyl. 8v SOHC EFI	GA15E	Alt. & Fan	4PK815
					AC	4PK825
					PS	4PK815
LAUREL	1983-84	C31	* 2.0L 4 Cyl. 12v SOHC Turbo Carb	L20T	Alt. & Fan	13A0890
					AC	13A0825
					PS	13A1130
LAUREL	1983-85	B11	* 1.7L 4 Cyl. 8v SOHC Diesel	CD17	Alt. & Fan - w/ AC	13A0890
					Alt. & Fan - w/o AC	13A0800
					AC	13A0900
LAUREL	1984-86	C32	* 2.8L 6 Cyl. 12v SOHC Diesel	LD28	Alt. & Fan - w/ AC	15A1040
					AC	13A0915
					PS	13A0840
LAUREL	1984-88	B11	* 1.5L 4 Cyl. 8v SOHC Carb	E15S	Alt. & Fan	11A0990
					AC	13A0815
					PS	13A0965
LAUREL	1984-88	C32	2.0L 6 Cyl. 12v SOHC EFI	RB20E	Alt. & WP	4PK850
					AC	4PK925
					PS	3PK865
LAUREL	1984-89	C32	* 2.0L V6 12v SOHC Turbo EFI	VG20ET	Alt.	4PK1030
					AC - Micro-V Belt	4PK1420
					AC - V-Belt	13A1475
					PS - V-Belt	13A1065
					PS - Micro-V Belt	3PK1005
LAUREL	1984-92	C32	1.8L 4 Cyl. 8v SOHC Carb	CA18S	Alt. & WP	11A0875
					AC	13A0850
					PS	13A0815
LAUREL	1988-93	C33	* 2.8L 6 Cyl. 12v SOHC Diesel	RD28	Alt. & WP	13A1155
					AC	13A0940
					PS	13A1080
LAUREL	1989-93	C33	* 1.8L 4 Cyl. 8v SOHC ELEC Carb	CA18i	Alt. & WP	4PK865
					AC	4PK835
					PS	4PK815
LAUREL	1991-93	C33	* 2.5L 6 Cyl. 24v DOHC EFI	RB25DE	Alt. & WP	4PK865
					AC	4PK925
					PS - 3 Rib Belt	3PK835
					PS - 4 Rib Belt	4PK945
LEOPARD	1980-82	F30	* 2.8L 6 Cyl. 12v SOHC EFI	L28E	Alt. & WP	13A0875
					AC	13A0955
					PS	13A1120
LEOPARD	1980-83	F30	* 2.8L 6 Cyl. 12v SOHC EFI	L20ET	Alt. & WP	13A0875
					AC	13A0955
					PS	13A1120
MARCH	1984-91	K10	* 1.0L 4 Cyl. 8v SOHC Carb	MA10S	Alt. & WP - w/ PS, w/ AC	3PK785
					Alt. & WP - w/ PS, w/o AC	3PK875
					Alt. & WP - w/o PS, w/o AC	11A0980
					AC - w/ PS	4PK815
					AC - w/o PS	13A0815
					PS	3PK620

* = NZ Vehicles Only

Model	Year	Variant	Engine	Engine Code	Description	Part Number
NISSAN CONTINUED						
MARCH	1985-89	K10	* 1.0L 4 Cyl. 8v SOHC Turbo EFI	MA10ET	Alt. & WP - w/ PS, w/ AC	3PK785
					Alt. & WP - w/ PS, w/o AC	3PK875
					Alt. & WP - w/o PS, w/o AC	11A0980
					AC - w/ PS	4PK815
					AC - w/o PS	13A0815
					PS	3PK620
MARCH	1992-02	K11	1.0L 4 Cyl. 16v DOHC EFI	CG10DE	Alt. - w/ PS, w/o AC - to 9/93	6PK980
					Alt. - w/ PS, w/o AC - from 9/93	6PK950
					Alt. - w/o PS, w/o AC	6PK680
					PS & WP	4PK760
					WP - w/o PS	4PK635
MARCH	1992-02	K11	* 1.3L 4 Cyl. 16v DOHC EFI	CG13DE	Alt. - w/ PS, w/o AC - to 9/93	6PK980
					Alt. - w/ PS, w/o AC - from 9/93	6PK950
					Alt. - w/o PS, w/o AC	6PK680
					PS & WP	4PK760
					WP - w/o PS	4PK635
MAXIMA	1988-95	J30	3.0L V6 12v SOHC EFI	VG30E	Alt.	4PK775
					AC & WP	4PK1195
					PS	4PK1030
MAXIMA	1995-99	A32	3.0L V6 24v DOHC EFI	VQ30DE	Alt. - w/ AC	6PK1100
					Alt. - w/o AC	6PK890
					PS	4PK785
MAXIMA	1999-03	A33	3.0L V6 24v DOHC EFI	VQ30DE	Alt. - w/ AC	6PK1100
					Alt. - w/o AC	6PK890
					PS	4PK785
MAXIMA	2003-09	J31	3.5L V6 24v DOHC EFI	VQ35DE	Alt.	6PK1080
					PS	4PK775
MICRA	1995-97	K11	1.3L 4 Cyl. 16v DOHC EFI	CG13DE	Alt. & AC	6PK955
					Alt. & PS - w/o AC	6PK890
					PS & WP - w/ AC	4PK760
					WP - w/o PS, w/ AC	4PK650
MURANO	2005-08	Z50	3.5L V6 24v DOHC EFI	VQ35DE	Alt.	6PK1065
					PS	4PK775
NAVARA	1985-91	D21	2.5L 4 Cyl. 8v OHV Diesel	SD25	Alt.	13A0980
					AC	13A0840
					PS	13A1170
NAVARA	1985-92	D21	2.3L 4 Cyl. 8v OHV Diesel	SD23	Alt. & Fan	13A0980
					AC	13A1440
					PS	13A1170
NAVARA	1985-92	D21	2.4L 4 Cyl. 8v SOHC Carb	Z24	Alt. & Fan	11A0925
					AC	13A0840
					PS	13A1180
NAVARA	1985-96	D21	2.0L 4 Cyl. 8v SOHC Carb	Z20	Alt. & Fan	11A0925
					AC	13A0840
					PS	13A1170

Model	Year	Variant	Engine	Engine Code	Description	Part Number
NISSAN CONTINUED						
NAVARA	1987-92	D21	2.5L 4 Cyl. 8v OHV Diesel	TD25	Alt. & Fan	13A0980
					AC	13A0840
					PS	13A1170
NAVARA	1988-98	D21	2.7L 4 Cyl. 8v OHV Diesel	TD27	Alt. & PS	13A1150
					AC	13A0940
NAVARA	1992-97	D21	2.4L 4 Cyl. 12v SOHC EFI	KA24E	Alt.	13A0900
					AC	13A0925
					PS	13A1150
NAVARA	1992-97	D21	3.0L V6 12v SOHC EFI	VG30E	Alt. & Fan	13A0940
					AC	13A1410
					PS	13A1085
NAVARA	1996-02	D22	3.2L 4 Cyl. 8v OHV EFI	QD32E	Alt. & PS	13A1150
					AC	13A0940
					AC - Nissair Sys.	13A0915
NAVARA	1997-02	D22	2.7L 4 Cyl. 8v OHV Diesel	TD27	Alt. & PS	13A1150
					AC	13A0940
NAVARA	1997-03	D22	2.4L 4 Cyl. 12v SOHC EFI	KA24E	Alt.	13A0900
					AC	13A0925
					PS	13A1150
					Idler Pulley - PS	38037
NAVARA	1997-06	D22	2.4L 4 Cyl. 16v DOHC EFI	KA24DE	Alt. & Fan	13A0950
					AC	13A0900
					PS	13A1250
					Idler Pulley - PS	38037
NAVARA	2000-04	D22	3.0L V6 12v SOHC EFI	VG30E	Alt. & Fan	13A0925
					AC	13A1410
					PS	13A1050
NAVARA	2001-08	D22	3.0L 4 Cyl. 16v DOHC Turbo Direct Inj.	ZD30DDT	Serp.	7PK1640
NAVARA	2002-06	D22	3.3L V6 12v SOHC EFI	VG33	Alt.	13A0925
					AC	13A1410
					PS	13A1050
NAVARA	2002-09	D22	2.5L 4 Cyl. 16v DOHC Turbo Direct Inj.	YD25DDT	Serp.	7PK1275
NAVARA	2005-09	D40	2.5L 4 Cyl. 16v DOHC Turbo Direct Inj.	YD25DDTI	Serp.	7PK1275
NOMAD	1986-192	C22	2.4L 4 Cyl. 8v SOHC Carb	Z24	Alt.	11A0925
					AC	13A0870
					PS	13A1130
NX	1991-95	B13	2.0L 4 Cyl. 16v DOHC EFI	SR20DE	Alt. & AC	6PK1035
					Alt. - w/o AC	4PK830
					PS	4PK845
NXR	1991-95	B13	2.0L 4 Cyl. 16v DOHC EFI	SR20DE	Alt. & AC	6PK1035
					Alt. - w/o AC	4PK830
					PS	4PK845
PATHFINDER	1986-92	D21	2.4L 4 Cyl. 8v SOHC Carb	Z24	Alt. - w/ AC	11A0925
					AC	13A0840
					PS	13A1175
PATHFINDER	1988-96	D21	3.0L V6 12v SOHC EFI	VG30E	Alt. & Fan	13A0940
					AC	13A1410
					PS	13A1055
PATHFINDER	1995-05	WX	3.3L V6 12v SOHC EFI	VG33E	Alt.	6PK1065
					AC	5PK1280
					PS	13A0890

* = NZ Vehicles Only

Model	Year	Variant	Engine	Engine Code	Description	Part Number
NISSAN CONTINUED						
PATHFINDER	2005-09	R51	2.5L 4 Cyl. 16v DOHC Turbo Diesel	YD25DDTI	Serp.	7PK1275
PATROL	1980-87	MQ	3.2L 6 Cyl. 12v OHV Turbo Diesel	SD33T	Alt. & Fan - w/ AC	13A1015
					Alt. & Fan - w/o AC	13A0955
					AC	13A1450
					PS	13A1270
PATROL	1980-87	MK	4.0L 6 Cyl. 12v SOHC Carb	P40	Alt. & Fan	15A1170
					AC	13A0965
					PS	13A1345
PATROL	1980-87	MQ	4.0L 6 Cyl. 12v SOHC Carb	P40	Alt. & Fan	15A1170
					AC	13A0965
					PS	13A1345
PATROL	1980-88	MK	2.8L 6 Cyl. 12v SOHC Carb	L28	Alt. & Fan	13A0890
					AC	13A0915
					PS	13A1120
PATROL	1980-88	MQ	2.8L 6 Cyl. 12v SOHC Carb	L28	Alt. & Fan	13A0890
					AC	13A0915
					PS	13A1120
PATROL	1980-88	MQ	3.2L 6 Cyl. 12v OHV Diesel	SD33	Alt. & Fan - w/ AC	13A1015
					Alt. & Fan - w/o AC	13A0950
					AC	13A1500
					PS	13A1285
PATROL	1981-87	G160	2.8L 6 Cyl. 12v SOHC Carb	L28	Alt. & Fan	15A1175
					AC	13A0925
					PS	13A1230
PATROL	1988-97	GQ	4.2L 6 Cyl. 12v OHV EFI	TB42E	Alt. & Fan	11A1130
					AC	13A0925
					PS	13A1055
PATROL	1988-99	GQ	4.2L 6 Cyl. 12v OHV Diesel	TD42	Alt. & Fan	13A1145
					Fan & PS	13A1270
					AC - Local Comp.	13A1975
					AC - Japanese Comp.	13A0965
PATROL	1989-97	GQ	3.0L 6 Cyl. 12v SOHC Carb	RB30	Alt. & Fan	13A0890
					AC	13A0920
					PS	13A0890
PATROL	1989-98	GQ	2.8L 6 Cyl. 12v SOHC Turbo Diesel EFI	RD28T	Alt. - w/ AC	13A1080
					AC	13A0900
					PS - w/ AC	13A0775
PATROL	1997-00	GU	2.8L 6 Cyl. 12v SOHC Turbo Diesel EFI	RD28ETI	Alt.	13A1065
					AC	13A0915
					PS	13A0775
PATROL	1997-02	GU	4.5L 6 Cyl. 12v OHV EFI	TB45E	Alt. & Fan - (2 Belts)	11A1130
					AC	13A0900
					PS	13A1005
PATROL	1997-07	GU	4.2L 6 Cyl. 12v Turbo Diesel	TD42T	Alt.	13A1140
					AC	13A0975
					PS & WP	13A1270
					PS	13A1055
PATROL	1999-09	GU	3.0L 4 Cyl. 16v DOHC Turbo Diesel	ZD30DDTi	Serp.	7PK1640

Model	Year	Variant	Engine	Engine Code	Description	Part Number
NISSAN CONTINUED						
PATROL	2001-09	GU	4.8L 6 Cyl. 24v DOHC EFI	TB48E	Alt. & Fan	6PK1065
					AC	4PK915
					PS	13A1080
PATROL	2006-09	Y61	3.0L 4 Cyl. 16v DOHC Turbo Diesel	ZD30DDTi	Serp.	7PK1640
PINTARA	1986-91	R31	2.0L 4 Cyl. 8v SOHC EFI	CA20E	Alt.	4PK855
					AC	4PK845
					PS	3PK825
PINTARA	1989-93	U12	2.0L 4 Cyl. 8v SOHC EFI	CA20E	Alt.	4PK735
					AC	6PK0880
					PS & WP	4PK900
					WP - w/o PS	4PK855
PINTARA	1989-93	U12	2.4L 4 Cyl. 12v SOHC EFI	KA24	Serp.	6PK1300
					AC	4PK875
PRAIRIE	1982-88	M10	1.5L 4 Cyl. 8v SOHC Carb	E15S	Alt. & WP	11A0990
					AC	13A0800
PRAIRIE	1982-88	M10	1.8L 4 Cyl. 8v SOHC Carb	CA18S	Alt. & WP	11A0875
					AC	15A0890
					PS	11A0660
PRAIRIE	1985-91	M10	2.0L 4 Cyl. 8v SOHC Carb	CA20S	Alt. & WP	13A0875
					AC	13A0915
					PS	13A0825
PRAIRIE	1988-95	M11	2.0L 4 Cyl. 8v SOHC Carb	CA20S	Alt. - w/ AC	4PK725
					Alt. & WP - w/o AC	6PK730
					AC	6PK875
					PS	4PK890
PULSAR	1983-86	B11	1.3L 4 Cyl. 8v SOHC Carb	E13	Alt. & Fan	11A0990
					AC	13A0800
PULSAR	1980-82	N10	1.4L 4 Cyl. 8v OHV Carb	A14	Alt.	11A0990
					AC	13A0815
PULSAR	1981-82	N10	1.3L 4 Cyl. 8v SOHC Carb	E13S	Alt. & Fan	11A0990
					AC	13A0815
PULSAR	1981-82	N10	1.5L 4 Cyl. 8v SOHC Carb	E15S	Alt. & Fan	11A0990
					AC	13A0800
PULSAR	1981-87	N12	1.6L 4 Cyl. 8v SOHC Carb	E16S	Alt.	11A0990
					AC	13A0800
PULSAR	1982-87	N12	1.3L 4 Cyl. 8v SOHC Carb	E13S	Alt. & Fan	11A0990
					AC	13A0800
PULSAR	1982-87	N12	1.5L 4 Cyl. 8v SOHC Carb	E15S	Alt. & Fan	11A0990
					AC	13A0800
					PS	13A0965
PULSAR	1982-87	N12	1.5L 4 Cyl. 8v SOHC Turbo Carb	E15T	Alt. & Fan	11A0990
					AC	13A0800
					PS	13A0965
PULSAR	1986-90	N13	1.5L 4 Cyl. 8v SOHC Carb	E15S	Alt.	4PK990
					AC	13A0815
					PS	13A0940
PULSAR	1986-90	N13	1.6L 4 Cyl. 16v DOHC EFI	CA16DE	Alt. - w/ AC	4PK700
					Alt. - w/o AC	6PK730
					AC	6PK875
					PS	4PK925

* = NZ Vehicles Only

Model	Year	Variant	Engine	Engine Code	Description	Part Number
NISSAN CONTINUED						
PULSAR	1987-91	N13	1.8L 4 Cyl. 8v SOHC EFI	18LE	Alt.	11A0825
					AC	13A0940
					PS	11A0900
PULSAR	1987-91	N13 - Vector	1.8L 4 Cyl. 8v SOHC EFI	18LE	Alt.	11A0840
					AC	13A0940
					PS	11A0890
PULSAR	1987-93	N13	1.6L 4 Cyl. 8v SOHC EFI	16LF	Alt.	11A0825
					AC	13A0940
					PS	11A0900
PULSAR	1988-90	N13	1.5L 4 Cyl. 8v SOHC Carb	GA15S	Alt.	4PK815
					AC	4PK825
					PS	4PK815
PULSAR	1990-96	N14	1.6L 4 Cyl. 16v DOHC EFI	GA16DE	Alt. - w/ PS	4PK800
					AC - Import Only	4PK840
PULSAR	1991-95	N14	2.0L 4 Cyl. 16v DOHC EFI	SR20DE	Alt. & PS	6PK1035
					Alt. - w/o AC	4PK840
					PS & WP	4PK845
PULSAR	1992-02	N15	1.6L 4 Cyl. 16v DOHC EFI	GA16DE	Alt. - w/ PS & AC	4PK810
					Alt. - w/o AC - w/ PS	4PK875
					Alt. - w/o PS & AC	4PK915
					AC - 1100mm belt	4PK1100
					AC - 1145mm Belt	4PK1145
PULSAR	1995-00	N15	2.0L 4 Cyl. 16v DOHC EFI	SR20DE	Alt. & PS	6PK1035
					Alt. - w/o AC	4PK840
					PS & WP	4PK845
PULSAR	1999-06	N16	1.8L 4 Cyl. 16v DOHC EFI	QG18DE	Alt. & AC	6PK825
					AC	6PK1107
					PS - 3 Rib Belt	3PK855
					PS - 4 Rib Belt	4PK855
					Idler	38027
PULSAR	2000-05	N16	1.6L 4 Cyl. 16v DOHC EFI	QG16DE	Alt. & AC	6PK1107
					PS - 3 Rib Belt	3PK855
					PS - 4 Rib Belt	4PK855
					Idler	36087
SERENA	1991-95	C23	2.0L 4 Cyl. 16v DOHC EFI	SR20DE	Alt. & WP	5PK955
					AC & PS	4PK875
SERENA	1996-99	C23	* 2.0L 4 Cyl. 16v DOHC EFI	SR20DE	Alt. & WP	5PK955
					AC & PS	4PK875
SILVIA	1979-84	S110	* 1.8L 4 Cyl. 8v SOHC EFI	Z18E	Alt. & Fan	10A0900
					AC	13A0850
					PS	13A1145
SILVIA	1985-87	S12	* 1.8L 4 Cyl. 16v DOHC Turbo EFI	CA18DET	Alt. & WP	4PK850
					AC	4PK835
					PS	3PK835
SILVIA	1985-93	S13	1.8L 4 Cyl. 16v DOHC Turbo EFI	CA18DET	Alt.	4PK855
					AC	4PK845
					PS - 4 Rib Belt	4PK840
SILVIA	1988-90	S13	1.8L 4 Cyl. 16v DOHC EFI	CA18DE	Alt.	4PK855
					AC	4PK845
					PS	4PK840

Model	Year	Variant	Engine	Engine Code	Description	Part Number
NISSAN CONTINUED						
SILVIA	1991-94	S13	2.0L 4 Cyl. T16v DOHC Turbo EFI	SR20DET	Alt.	5PK940
					PS	4PK880
SILVIA	1991-95	S13	2.0L 4 Cyl. 16v DOHC EFI	SR20DE	Alt.	5PK940
					PS	4PK880
SKYLINE	1978-81	C210	2.4L 6 Cyl. 12v SOHC Carb	L24	Alt. & Fan	13A0890
					AC	15A0945
					PS	13A1230
SKYLINE	1978-81	C211	2.4L 6 Cyl. 12v SOHC Carb	L24	Alt. & Fan	13A0890
					AC	15A0945
					PS	13A1230
SKYLINE	1981-84	R30	* 2.0L 4 Cyl. 12v SOHC Turbo EFI	L20ET	Alt. & Fan	13A0875
					AC	13A0990
					PS	13A1130
SKYLINE	1981-86	R30	2.4L 6 Cyl. 12v SOHC EFI	L24E	Alt. & Fan	13A0925
					PS	13A1125
SKYLINE	1982-88	R30	1.8L 4 Cyl. 8v SOHC Carb	CA18S	Alt. & Fan	11A0875
					AC	13A0865
					PS	10A0815
SKYLINE	1983-85	R30	2.0L 4 Cyl. 16v DOHC EFI	FJ20DE	Alt.	13A0990
					AC	13A0840
					PS	13A1270
SKYLINE	1983-85	R30	2.0L 4 Cyl. 16v DOHC Turbo EFI	FJ20ET	Alt.	13A0990
					AC	13A0840
					PS	13A1270
SKYLINE	1985-89	R31	1.8L 4 Cyl. 8v SOHC Carb	CA18S	Alt. & Fan	4PK865
					AC	4PK835
					PS	3PK820
SKYLINE	1985-89	R31	2.0L 6 Cyl. 12v SOHC EFI	RB20	Alt. & Fan	4PK850
					AC	4PK925
					PS - w/ AC	3PK835
					PS - w/o AC	4PK850
SKYLINE	1985-90	R31	2.8L 6 Cyl. 12v SOHC Diesel	RD28D	Alt. & Fan	13A1155
					AC	13A0940
					PS	13A1080
SKYLINE	1986-92	R31	3.0L 6 Cyl. 12v SOHC EFI	RB30E	Alt.	4PK865
					PS	3PK875
					AC - V-Belt	11A0825
					AC - Micro-V Belt	4PK925
SKYLINE	1989-93	R32	2.0L 6 Cyl. 12v SOHC EFI	RB20	Alt. & Fan	4PK865
					AC	4PK925
					PS - w/ AC	3PK835
					PS - w/o AC	4PK945
SKYLINE	1989-93	R32	2.0L 6 Cyl. 12v SOHC EFI	RB20E	Alt.	4PK860
					AC	4PK925
					PS	3PK850
SKYLINE	1989-94	R32	2.6L 6 Cyl. 24v DOHC Twin Turbo EFI	RB26DETT	Alt. & WP	4PK885
					AC	4PK925
					PS	4PK960
SKYLINE	1989-95	R32	2.0L 6 Cyl. 24v DOHC Turbo EFI	RB20DET	Alt.	4PK860
					AC	4PK925
					PS	4PK950

* = NZ Vehicles Only

Model	Year	Variant	Engine	Engine Code	Description	Part Number
NISSAN CONTINUED						
SKYLINE	1993-98	R33	2.0L 6 Cyl. 12v SOHC EFI	RB20E	Alt.	4PK855
					AC	4PK925
					PS - 4 Rib Belt	4PK950
SKYLINE	1993-98	R33	2.5L 6 Cyl. 24v DOHC EFI	RB25DE	Alt.	4PK855
					AC	4PK925
					PS	3PK855
SKYLINE	1993-98	R33	2.5L 6 Cyl. 24v DOHC Turbo EFI	RB25DET	Alt.	4PK890
					AC	4PK915
					PS	4PK865
SKYLINE	1994-98	R33	2.6L 6 Cyl. 24v DOHC Twin Turbo EFI	RB26DETT	Alt. & WP	4PK885
					AC	4PK925
					PS	4PK960
SKYLINE	1998-02	R34	2.5L 6 Cyl. 24v DOHC Turbo EFI	RB25DET	Alt.	4PK850
					AC	4PK910
					PS	3PK850
STANZA	1978-83	A10	1.6L 4 Cyl. 8v SOHC Carb	L16	Alt.	11A0925
STANZA	1983-85	T11	* 1.8L 4 Cyl. 8v SOHC EFI	CA18E	Alt. & WP	11A0875
					AC	15A0890
					PS	11A0660
SUNNY	1978-82	B310	1.4L 4 Cyl. 8v OHV Carb	A14	Alt. & Fan	11A0980
					AC	13A0785
SUNNY	1979-83	B310	1.2L 4 Cyl. 8v OHV Carb	A12	Alt.	11A0990
					AC	13A0775
SUNNY	1982-85	B11	* 1.7L 4 Cyl. 8v SOHC Diesel	CD17	Alt. & Fan - w/ AC	13A0890
					Alt. & Fan - w/o AC	13A0800
					AC	13A0875
SUNNY	1982-87	B11	1.3L 4 Cyl. 8v SOHC Carb	E13S	Alt. & Fan	11A0980
					PS	13A0990
SUNNY	1982-87	B11	* 1.5L 4 Cyl. 8v SOHC Carb	E153	Alt. & Fan	11A0980
					PS	13A0990
SUNNY	1990-93	B13	* 1.8L 4 Cyl. 16v DOHC EFI	SR18DE	Alt.	4PK825
					AC	6PK1035
					PS	4PK835
SUNNY	1990-94	B13	* 1.5L 4 Cyl. 16v DOHC Carb	GA15DS	Alt.	4PK800
					AC	4PK825
					PS	4PK815
SUNNY	1990-94	B13	* 1.6L 4 Cyl. 16v DOHC EFI	GA16DE	Alt.	4PK800
					AC	4PK825
					PS	4PK815
TERRANO	1995-98	R50	* 2.7L 4 Cyl. 8v Turbo Diesel	TD27ETI	Alt.	13A1145
					AC	13A0925
					PS	13A1145
TERRANO	1997-00	II (R20)	2.4L 4 Cyl. 12v SOHC EFI	KA24E	Alt. & WP	11A0900
					AC	13A0925
					PS	13A1150
TERRANO	1997-00	R20	2.7L 4 Cyl. 8v OHV Turbo EFI Diesel	TD27TI	Alt. & PS - (2 Belts)	13A1150
					AC	13A0925
URVAN	1980-82	E23	1.6L 4 Cyl. 8v OHV Carb	J16	Alt. & Fan	11A0980
URVAN	1980-82	E23	2.0L 4 Cyl. 8v OHV Carb	H20	Alt. & Fan	11A0965
URVAN	1980-82	E23	2.2L 4 Cyl. 8v OHV Diesel	SD22	Alt. & Fan	13A0990

Model	Year	Variant	Engine	Engine Code	Description	Part Number
NISSAN CONTINUED						
URVAN	1982-86	E23	2.0L 4 Cyl. 8v SOHC Carb	Z20	Alt. & Fan	11A0925
					AC	11A0840
URVAN	1982-86	E23	2.3L 4 Cyl. 8v OHV Diesel	SD23	Alt. & Fan	13A0955
					AC	13A1500
URVAN	1987-88	E24	2.7L 4 Cyl. 8v OHV Diesel	TD27	Alt. & Fan	13A1155
					AC	13A0915
URVAN	1987-93	E24	2.4L 4 Cyl. 8v SOHC Carb	Z24	Alt. & Fan	11A0925
					AC	13A0840
UTE	1988-92	XFN	4.1L 6 Cyl. 12v OHV EFI	250	Alt.	11A1015
					AC	11A0890
					PS	11A1170
VANETTE	1981-89	C120	1.5L 4 Cyl. 8v OHV Carb	A15	Alt.	11A0980
					AC	13A0850
VANETTE	1982-83	C120	1.2L 4 Cyl. 8v OHV Carb	A12	Alt.	11A0980
					AC	13A0850
VANETTE	1984-89	C120	* 2.0L 4 Cyl. 8v SOHC Carb	Z20S	Alt.	11A0940
					AC	13A0850
					PS	13A1155
VANETTE	1983-86	C20	1.2L 4 Cyl. 8v OHV Carb	A12	Alt.	11A0980
					AC	13A0850
VANETTE	1983-86	C20	* 1.5L 4 Cyl. 8v OHV Carb	A15	Alt.	11A0980
					AC	13A0850
VANETTE	1986-93	C22	2.0L 4 Cyl. 8v SOHC Carb	Z20	Alt. & Fan	11A0925
					AC	13A0840
					PS	13A1170
X-TRAIL	2000-09	T30	2.5L 4 Cyl. 16v DOHC VVT EFI	QR25DE	Serp.	6PK2250
OPEL						
CALIBRA	1990-97		* 2.0L 4 Cyl. 16v DOHC EFI	C20XE	Alt. & AC	6PK1645
					Alt. & PS - w/o AC	6PK1715
					Alt. - V-Belt	11A0915
					AC - V-Belt	13A0875
					PS - Micro-V-Belt	3PK680
					PS - V-Belt	11A0785
MANTA	1985-89	Gsi	* 2.0L 4 Cyl. 8v SOHC EFI	2.0E	Alt.	10A0900
SENATOR	1987-92		* 3.0L 6 Cyl. 12v SOHC EFI	C30NE	Alt.	11A0890
VECTRA	1997-98	JR	2.0L 4 Cyl. 16v DOHC EFI	C20SEL	Serp.	6PK1900
PEUGEOT						
106	1992-96	XS	1.4L 4 Cyl. 8v SOHC Carb	TU3	Alt. & AC	5PK2300
					Alt. - w/o AC	10A0710
106	1992-96	XS	1.4L 4 Cyl. 8v SOHC EFI	TU3J2	Alt. & AC	5PK2300
					Alt. - w/o AC	10A0710
106	1993-96	XR	* 1.1L 4 Cyl. 8v SOHC Carb	TU1M	Alt. & AC	5PK1030
					Alt. - w/o AC	10A0710
205	1984-93		1.4L 4 Cyl. 8v SOHC Carb	TU3	Alt. - w/ PS	4PK850
					Alt. - w/o PS	10A0710
					AC	4PK815
205	1984-94		1.6L 4 Cyl. 8v SOHC EFI	XU5J	Alt. - w/ PS	4PK960
					Alt. - w/o PS	4PK700
					AC	4PK840
					PS	10A0610

* = NZ Vehicles Only

Model	Year	Variant	Engine	Engine Code	Description	Part Number
PEUGEOT CONTINUED						
205	1987-95		1.9L 4 Cyl. 8v SOHC EFI	XU9J	Alt. - w/ PS	4PK960
					Alt. - w/o PS	4PK700
					AC	4PK0840
					PS	10A0610
206	1999-01		1.6L 4 Cyl. 8v SOHC MPFI	TU5JP	Serp.	6PK1575
					Serp. - w/o AC	6PK1445
					Tensioner - w/ PS & AC	38446
					Idler - w/ PS & AC	36190
206	1999-02		1.4L 4 Cyl. 8v SOHC MPFI	TU3JP	Alt. - w/ PS, w/ AC	6PK1560
					Alt. - w/o PS, w/ AC	6PK1015
					Alt. - w/ PS, w/o AC	6PK1445
					Alt. - w/o PS, w/o AC	10A0710
					Tensioner - w/ PS & AC - to Org # 09275	38446
					Idler - w/ PS & AC	36190
206	1999-07		2.0L 4 Cyl. 16v DOHC MPFI	EW10J4	Alt. - w/ AC	6PK1730
					Alt. - w/o AC	6DPK1200
					Tensioner	38206
					Idler Pulley	38055
206	2000-07		1.6L 4 Cyl. 16v DOHC MPFI	TU5JP4	Serp.	6PK1565
					Serp. - w/o PS - w/ AC	6PK1010
					Serp. - w/ PS - w/o AC	6PK1445
					Alt. - w/o PS, w/o AC	11A0710
					Tensioner - w/ AC	38446
					Idler - w/ AC	36190
304	1970-78		* 1.3L 4 Cyl. 8v SOHC Carb	XL5	Alt. & Fan	11A1090
305	1979-81	SR	* 1.5L 4 Cyl. 8v SOHC Carb	XR5	Alt.	11A0760
306	1993-00	N3	1.8L 4 Cyl. 8v SOHC MPFI	XU7JP	Serp. - w/ PS - w/ AC	6PK1660
					Serp. - (70a & 80a) - w/ PS - w/o AC	6PK1065
					Serp. (90a)	6PK1080
306	1993-97		1.9L 4 Cyl. 8v SOHC Turbo Diesel	XUD9	Alt. - w/ PS - w/ AC - 94-06/95	6PK1700
					Alt. - w/ PS - w/ AC - 06/95-97	6PK1740
					Alt. - w/ PS - w/o AC - to 06/95	6PK1130
					Alt. - w/ PS - w/o AC - 06/95-09/96	6PK1100
					Alt. - w/ PS - w/o AC - 09/96-97	6PK1130
					Alt. - w/o PS - w/o AC	6PK730
306	1994-03		2.0L 4 Cyl. 16v DOHC MPFI	XU10J4	Serp. - w/ AC	6PK1605
					Serp. - w/ PS - w/o AC	6PK1100
					Alt. - w/o AC	6PK1165
306	1994-98		1.8L 4 Cyl. 8v SOHC MPFI	XU7JP	Serp. - w/ PS - w/ AC	6PK1660
					Serp. - (70a & 80a) - w/ PS - w/o AC	6PK1065
					Serp. (90a)	6PK1080
306	1995-97		2.0L 4 Cyl. 8v SOHC MPFI	XU10J2	Alt.	6PK1080
					Alt. - w/o PS - w/ AC	6PK1100

Model	Year	Variant	Engine	Engine Code	Description	Part Number
PEUGEOT CONTINUED						
306	1997-02	N5	1.8L 4 Cyl. 16v DOHC MPFI	XU7JP4	Serp. - w/ AC	6PK1660
					Serp. - w/o AC	6PK1080
306	1999-00	N5	1.9L 4 Cyl. 8v SOHC Turbo Diesel	XUD9	Alt. - w/ PS - w/ AC	6PK1740
					Alt. - w/ PS - w/o AC	6PK1130
306	2000-01	N5	2.0L 4 Cyl. 8v SOHC Turbo EFI Diesel	DW10TD	Serp. - w/ AC	6PK1755
					Serp. - w/o AC	6PK1465
307	2001-09		1.6L 4 Cyl. 16v DOHC MPFI	TU5JP4	Serp. - w/ AC	6PK1050
307	2001-09		2.0L 4 Cyl. 16v DOHC MPFI	EW10J4	Serp. - w/ AC	6PK1725
					Tensioner	38206
					Idler Pulley	38055
307	2005-07		1.6L 4 Cyl. 16v DOHC Turbo Diesel	DV6TED4	Serp.	6PK1090SF
					SF Inst. Tool	SFT001
309	1986-90		* 1.6L 4 Cyl. 8v SOHC EFI	XU5J	Alt. & PS	4PK960
					AC	4PK835
309	1987-89		* 1.6L 4 Cyl. 8v SOHC Carb	G1	Alt. & PS	4PK960
					AC	4PK835
309	1987-89		* 1.6L 4 Cyl. 8v SOHC EFI	XU9J1	Alt. & PS	4PK960
					AC	4PK835
309	1989-93		* 1.6L 4 Cyl. 8v SOHC EFI	XU5M	Alt. & PS	4PK960
					AC	4PK835
309	1990-93		* 1.6L 4 Cyl. 16v DOHC EFI	XU9J4	Alt. & PS	4PK960
					AC	4PK835
404	1963-70		* 1.6L 4 Cyl. 8v OHV Carb	XC6	Alt. & Fan	11A1170
405	1988-93	D60	1.9L 4 Cyl. 16v DOHC EFI	XU9J4	Alt. & AC	5PK1270
					PS	10A0545
405	1988-93		1.9L 4 Cyl. 16v DOHC EFI	XU9J4	Alt. & AC	5PK1270
					PS	10A0545
405	1988-95		1.9L 4 Cyl. 8v SOHC EFI	XU9J2	Alt. & PS	4PK960
					Alt. - w/o PS	4PK700
					AC	4PK835
405	1989-93	D60	1.9L 4 Cyl. 8v SOHC EFI	XU9J2	Alt. & PS	4PK960
					Alt. - w/o PS	4PK700
					AC	4PK835
405	1993-96	D70	2.0L 4 Cyl. 8v SOHC MPFI	XU10J2	Serp. - w/ AC & PS	6PK1650
					Serp. - w/ PS - w/o AC	6PK1065
405	1993-97	D70	1.9L 4 Cyl. 8v SOHC Turbo Diesel	XUD9TE	Serp.	6PK1700
405	1994-96		2.0L 4 Cyl. 8v SOHC MPFI	XU10J2	Serp. - w/ PS - w/o AC	6PK1065
					Serp.	6PK1650
406	1996-00	D8	2.0L 4 Cyl. 16v DOHC MPFI	XU10J4	Serp. - w/ AC	6PK1600
					Serp. - w/o AC	6PK1170
406	1997-00		2.1L 4 Cyl. 8v SOHC Turbo Diesel	XUD11	Serp. - w/ AC - w/ Harrison Comp.	6PK1755
					Serp. - w/ AC - w/ Sanden Comp.	6PK1740
					Serp. - w/o AC	6PK1110
406	1997-04	D8	2.9L V6 16v DOHC Turbo MPFI	ES9J4	Serp. - w/ AC	6PK1600
406	1997-04	D9	2.9L V6 16v DOHC Turbo MPFI	ES9J4	Serp. - w/ AC	6PK1600
406	1997-99	D8	2.1L 4 Cyl. 12v SOHC Turbo Diesel	XUD11	Serp. - w/ AC - w/ Harrison Comp.	6PK1755
					Serp. - w/ AC - w/ Sanden Comp.	6PK1740
					Serp. - w/o AC	6PK1110

* = NZ Vehicles Only

Model	Year	Variant	Engine	Engine Code	Description	Part Number
PEUGEOT CONTINUED						
406	1999-04	D9	2.0L 4 Cyl. 16v DOHC MPFI	EW10J4	Serp. - w/ AC	6PK1728
					Serp. - w/o AC	6PK1195
406	1999-04		2.0L 4 Cyl. 8v SOHC Turbo Diesel	DW10TD	Alt. - w/ AC - w/ Harrison Comp.	6PK1755
					Alt. - w/ AC - w/ Sanden Comp.	6PK1740
407	2004-06		2.0L 4 Cyl. 16v DOHC Turbo Diesel EFI	DW10BTED4	Serp.	6PK1215
407	2004-07		2.9L V6 24v DOHC EFI	ES9A	Serp.	6PK1585
504	1970-83		2.0L 4 Cyl. 8v OHV Carb	XN2	Alt. & Fan	11A1180
					AC - to 1979	11A0875
					AC - from 1980	13A0925
					PS - to 1979	11A1030
					PS - from 1980	10A0815
505	1980-93		2.2L 4 Cyl. 8v SOHC EFI	ZDJL	Alt. & Fan	11A1005
					AC	13A0890
					PS	11A0785
505	1982-93		2.3L 4 Cyl. 8v OHV DI	XD2	Alt.	10A0735
					AC	13A1005
					Fan & WP	11A1120
					PS	11A1065
					VP	10A0650
505	1984-86		2.0L 4 Cyl. 8v SOHC EFI	ZEJ	Alt. & Fan	11A1180
					AC - 1980-81	13A0890
					AC - 1983-82	13A0900
					PS	10A0815
505	1986-89		2.5L 4 Cyl. 8v OHV Turbo Diesel	XD3T	Alt.	10A0735
					AC	13A1005
					PS	11A1065
604	1977-85		2.7L V6 12v OHV Carb	ZM	Alt. & Fan	11A1090
					AC	13A1370
					AP	11A1295
					PS	11A0915
605	1990-96		3.0L V6 24v DOHC EFI	ZPJ4	Serp.	6PK1660
607	2001-06		3.0L V6 24v DOHC MPFI	ES9J4	Serp.	6PK1585
PONTIAC						
LE MANS	1988-89	GSE	* 2.0L 4 Cyl. 8v SOHC EFI	L4 (OPEL)	Alt. & WP	5PK1325
					AC	11A0875
LE MANS	1988-91		* 1.5L 4 Cyl. 8v SOHC EFI	1.5	Alt. - w/ AC	5PK1030
					Alt. - w/o AC	5PK915
					Alt. - w/ PS	5PK980
					Alt. - w/o PS	5PK875
					AC	11A0875
LE MANS	1988-91	GLE	* 1.5L 4 Cyl. 8v SOHC EFI	1.5	Alt. - w/ AC	5PK1030
					Alt. - w/o AC	5PK915
					Alt. - w/ PS	5PK980
					Alt. - w/o PS	5PK875
					AC	11A0875
LE MANS	1988-92		* 2.0L 4 Cyl. 8v SOHC EFI	L4 (OPEL)	Alt. & WP	5PK1325
					AC	11A0875

Model	Year	Variant	Engine	Engine Code	Description	Part Number
PORSCHE						
356	1955-65		1.6L 4 Cyl. 8v SOHC EFI	F4	Fan & Gen.	11A0840
911	1963-68		* 2.0L 6 Cyl. 12v DOHC Carb.	F6	Alt.	10A0710
					Air Pump	11A0825
911	1969-71		* 2.2L 6 Cyl. 12v DOHC EFI	2.2	Alt.	10A0710
					Air Pump	11A0955
911	1971-73		* 2.3L 6 Cyl. 12v DOHC EFI	2.4	Alt.	10A0710
					Air Pump	11A0955
911	1973-77		* 2.7L 6 Cyl. 12v DOHC EFI	2.7	Alt.	10A0710
					Air Pump - 955mm Belt	11A0955
					Air Pump - 980mm Belt	11A0980
					Air Pump - 1030mm Belt	11A1030
911	1973-77	Targa	* 2.7L 6 Cyl. 12v DOHC EFI	2.7	Alt.	10A0710
					Air Pump - 955mm Belt	11A0955
					Air Pump - 980mm Belt	11A0980
					Air Pump - 1030mm Belt	11A1030
911	1978-83		3.0L 6 Cyl. 12v DOHC EFI	3.0	Alt.	10A0710
911	1978-83	Targa	3.0L 6 Cyl. 12v DOHC EFI	3.0	Alt.	10A0710
911	1983-89	CARRERA	3.2L 6 Cyl. 12v DOHC EFI	3.2	Alt.	11A0775
					AC	13A1155
911	1989-97	CARRERA 2 - 964	3.6L 6 Cyl. 12v DOHC EFI	3.6	Alt. & AC - 1410mm Belt	6PK1410
					Alt. & AC - 155mm Belt	6PK1555
911	1989-97	CARRERA 4 - 964	3.6L 6 Cyl. 12v DOHC EFI	3.6	Alt. & AC - 1410mm Belt	6PK1410
					Alt. & AC - 155mm Belt	6PK1555
911	1993-98	CARRERA - 993	3.6L 6 Cyl. 24v DOHC EFI	M96	Alt. & AC - 1410mm Belt	6PK1410
					Alt. & AC - 155mm Belt	6PK1555
911	1995-99	CARRERA - 993	3.6L 6 Cyl. 24v DOHC Turbo EFI	M96	Alt. - OE Belt - 99919237350	10A0750
					Alt. - OE Belt - 99919234350	11A0760
911	1998-01	CERRERA	3.4L 6 Cyl. 24v DOHC VVT EFI	M96	Serp.	6PK2120
					Serp. - w/o AC	6PK1930
911	1998-01	CERRERA 4	3.4L 6 Cyl. 24v DOHC EFI	M96	Serp.	6PK2120
					Serp. - w/o AC	6PK1930
912	1966-69		1.6L 4 Cyl. 8v SOHC Carb.	1.6	Alt.	11A0840
					Air Pump	11A0925
924	1977-82		* 2.0L 4 Cyl. 8v SOHC EFI	M31	Alt. - w/ 61mm Pulley	11A0890
					Alt. - w/ 66mm Pulley	10A0900
924	1980-82		* 2.0L 4 Cyl. 8v SOHC Turbo EFI	M31	Alt.	11A1055
928	1978-81		* 4.5L V8 32v DOHC MPFI	M28	Alt. - 4 Rib Micro-V Belt	4PK865
					Alt. - 5 Rib Micro-V Belt	5PK890
					Alt. - 6 Rib Micro-V Belt	6PK865
					Fan	13A1055
					PS	13A0980

* = NZ Vehicles Only

Model	Year	Variant	Engine	Engine Code	Description	Part Number
PORSCHE CONTINUED						
928	1980-85	S	* 4.7L V8 32v DOHC MPFI	M28	Alt. - 4 Rib Micro-V Belt	4PK865
					Alt. - 5 Rib Micro-V Belt	5PK890
					Alt. - 6 Rib Micro-V Belt	6PK865
					Fan	13A1055
					PS	13A0980
928	1986-87	S	* 5.0L V8 32v DOHC MPFI	M28	Alt. - w/ Auto Trans.	6PK865
					Alt. - w/ Man. Trans.	6PK865
					AC	13A1120
					Air Pump	13A0955
					PS	13A1005
928	1987-92	S4	* 5.0L V8 32v DOHC MPFI		Alt. - w/ Auto Trans.	6PK865
					Alt. - w/ Man. Trans.	6PK865
					AC	13A1120
					Air Pump	13A0955
					PS	13A1005
928	1989-92	GT	* 5.0L V8 32v DOHC MPFI	M28	Alt. - w/ Auto Trans.	6PK875
					Alt. - w/ Man. Trans.	6PK865
					AC	13A1120
					Air Pump	13A0955
					PS	13A1005
928	1992-95	GTS	5.4L V8 32v DOHC MPFI	M28	Alt. - w/ Auto Trans.	6PK875
					Alt. - w/ Man. Trans.	6PK865
					AC	13A1120
					Air Pump	13A0955
					PS	13A1005
930	1976-85		* 3.0L 6 Cyl. 12v SOHC Turbo MPFI		Alt.	10A0735
					AC	13A1120
944	1982-88		2.5L 4 Cyl. 8v SOHC MPFI	M44	Alt. & AC - 5 Rib Belt	5PK990
					Alt. & AC - 6 Rib Belt	6PK990
					Alt. - w/o AC - 5 Rib Belt	5PK735
					Alt. - w/o AC - 6 Rib Belt	6PK730
					PS	11A0955
944	1986-91		2.5L 4 Cyl. 8v SOHC Turbo MPFI	M44	Alt. & AC - 5 Rib Belt	5PK990
					Alt. & AC - 6 Rib Belt	6PK990
					Alt. - w/o AC - 5 Rib Belt	5PK735
					Alt. - w/o AC - 6 Rib Belt	6PK730
					PS	11A0955
944	1989-91		3.0L 4 Cyl. 16v DOHC MPFI	M44	Alt. & AC	6PK990
					PS	11A0955
968	1992-95		3.0L 4 Cyl. 16v DOHC MPFI	M44	Alt. & AC	6PK990
					Alt. - w/o AC	6PK730
					PS	11A0955
968	1993-95	CS	3.0L 4 Cyl. 16v DOHC MPFI	M44	Alt. & AC	6PK990
					Alt. - w/o AC	6PK730
					PS	11A0955
BOXSTER	1997-99	986	2.5L 6 Cyl. 4v DOHC MPFI	M96	Serp.	6PK2120
					Serp. - w/o AC	6PK1920

* = NZ Vehicles Only

Model	Year	Variant	Engine	Engine Code	Description	Part Number
PROTON						
JUMBUCK	2002-06		1.5L 4 Cyl. 12v SOHC EFI	4G15	Alt.	4PK870
					AC	13A0815
					PS	4PK600
M21	1997-00	C90	1.8L 4 Cyl. 16v DOHC EFI	4G93	Alt.	4PK760
					PS	5PK955
PERSONA	1996-01		1.6L 4 Cyl. 16v SOHC EFI	4G92	Alt.	4PK785
					AC	5PK1165
					PS	5PK945
PERSONA	1996-04		1.5L 4 Cyl. 12v SOHC EFI	4G15	Alt.	4PK875
					PS	4PK600
PERSONA	1996-04	GLI	1.5L 4 Cyl. 12v SOHC EFI	4G15	Alt.	4PK875
					PS	4PK600
PERSONA	1999-02		1.3L 4 Cyl. 12v SOHC EFI	4G13	Alt.	4PK875
					AC	13A0815
					PS	4PK600
SAGA	1987-93		* 1.5L 4 Cyl. 8v SOHC CARB	4G15	Alt. & WP	4PK865
					AC	13A0840
					PS	13A0620
SATRIA	1997-00	C90	1.6L 4 Cyl. 16v SOHC EFI	4G92	Alt.	4PK785
					PS - w/ AC	5PK1145
					PS - w/o AC	5PK945
SATRIA	1997-03	C90	1.5L 4 Cyl. 12v SOHC EFI	4G15	Alt.	4PK875
					AC	13A0840
					PS	4PK600
SATRIA	1999-02	C90	1.3L 4 Cyl. 12v SOHC EFI	4G13	Alt.	4PK875
					PS	4PK600
SATRIA	1999-04	C90	1.8L 4 Cyl. 16v DOHC EFI	4G93	Alt.	4PK760
					PS	5PK945
WAJA	2001-05	CF	1.6L 4 Cyl. 16v SOHC EFI	4G18	Alt.	5PK865
					AC - w/ PS	5PK1080
WIRA	1995-96		1.5L 4 Cyl. 12v SOHC EFI	4G15	Alt.	4PK875
					AC	13A0760
					PS	4PK600
WIRA	1995-96		1.6L 4 Cyl. 16v SOHC EFI	4G92	Alt.	4PK775
					AC & PS	5PK1120
					PS - w/o AC	5PK945
WIRA	1995-96	AEROBACK	1.5L 4 Cyl. 12v SOHC EFI	4G15	Alt.	4PK875
					AC	13A0760
					PS	4PK600
WIRA	1995-96	AEROBACK	1.6L 4 Cyl. 16v SOHC EFI	4G92	Alt.	4PK775
					AC & PS	5PK1120
					PS - w/o AC	5PK945
RENAULT						
12	1970-80		1.3L 4 Cyl. 8v OHV Carb.	81002	Fan & Gen.	11A1255
16	1969-77		1.6L 4 Cyl. 8v OHV Carb.	82101	Alt.	11A0850
					WP	10A0735
18	1979-84		1.6L 4 Cyl. 8v SOHC Carb.	841725	Alt. & WP	11A1015
					AC	13A0850
					PS - w/ AC	10A0635
					PS - w/o AC	11A0825

* = NZ Vehicles Only

Model	Year	Variant	Engine	Engine Code	Description	Part Number
RENAULT CONTINUED						
19	1991-96		1.7L 4 Cyl. 8v SOHC EFI	F3N	Alt. - w/ PS - w/ AC	6PK1685
					Alt. - w/o PS - w/ AC	6PK1460
					Alt. - w/ PS - w/o AC	6PK1165
					Alt. - w/o PS - w/o AC	5PK850
19	1991-96		1.8L 4 Cyl. 8v SOHC EFI	F3P	Alt. - w/ PS - w/ AC	6PK1685
					Alt. - w/o PS - w/ AC	6PK1460
					Alt. - w/ PS - w/o AC	6PK1165
					Alt. - w/o PS - w/o AC	5PK850
19	1991-96	R	1.8L 4 Cyl. 8v SOHC EFI	F3P	Alt. - w/ PS - w/ AC	6PK1685
					Alt. - w/o PS - w/ AC	6PK1460
					Alt. - w/ PS - w/o AC	6PK1165
					Alt. - w/o PS - w/o AC	5PK850
19	1991-96	TXE	1.7L 4 Cyl. 8v SOHC EFI	F3N	Alt. - w/ PS - w/ AC	6PK1685
					Alt. - w/o PS - w/ AC	6PK1460
					Alt. - w/ PS - w/o AC	6PK1165
					Alt. - w/o PS - w/o AC	5PK850
20	1978-84		2.0L 4 Cyl. 8v SOHC Carb.	J6R	Alt. & WP	11A1005
					AC	13A0865
					PS	10A0750
21	1988-92		2.2L 4 Cyl. 8v SOHC EFI	J7T	Alt. & WP	11A0990
					AC	4PK890
					PS	10A0750
25	1984-93		2.2L 4 Cyl. 8v SOHC EFI	J7TM	Alt. & WP	11A1030
					AC	4PK890
					PS	10A0750
CLIO	1999-00		* 1.4L 4 Cyl. 8v SOHC EFI	E7J	Idler - w/ AC	36176
CLIO	1999-01		1.6L 4 Cyl. 8v SOHC EFI	K7M	Idler - w/ AC	36176
CLIO	2001-07		1.4L 4 Cyl. 16v DOHC EFI	K4J	Serp. - w/ AC - 1200mm Belt	5PK1200
					Serp. - w/ AC - 1750mm Belt	5PK1750
					Tensioner	39009
					Idler - w/ AC	36176
CLIO	2001-07		1.6L 4 Cyl. 16v DOHC EFI	K4M	Serp. - w/ AC	6PK1755
					Tensioner	39009
					Idler - w/ AC	36176
CLIO	2001-07		2.0L 4 Cyl. 16v DOHC EFI	F4R	Serp. - w/ AC	6PK1660
					Tensioner	38348
KANGOO	2004-07	X76	1.6L 4 Cyl. 16v DOHC EFI	K4M	Serp.	5PK1750
					Tensioner	39009
					Idler - w/ AC	36176
LAGUNA	1995-97		3.0L V6 24v DOHC EFI	Z7X	Alt. - w/ AC	5PK1375
					Alt. - w/o AC	4PK960
					PS	5PK650
					WP	5PK775
LAGUNA	1998-05		2.9L V6 24v DOHC EFI	L7X	Serp.	6PK1600

* = NZ Vehicles Only

Model	Year	Variant	Engine	Engine Code	Description	Part Number
RENAULT CONTINUED						
LAGUNA	2002-07		2.0L 4 Cyl. 16v DOHC EFI	F4R	Serp.	6PK1790
					Idler	36176
					Idler	36213
MEGANE	1996-99		1.6L 4 Cyl. 8v SOHC EFI	K7M	Idler - w/ AC	36176
MEGANE	1997-99	SCENIC	* 1.6L 4 Cyl. 8v SOHC EFI	K7M	Idler - w/ AC	36176
MEGANE	1999-03		1.6L 4 Cyl. 16v DOHC EFI	K4M	Serp. - w/ AC	6PK1755
					Tensioner	38469
					Idler	36176
MEGANE	2001-07	X84	1.6L 4 Cyl. 16v DOHC EFI	K4M	Serp. - w/ AC	5PK1195
					Tensioner	38469
					Idler	36176
MEGANE	2003-07	X84	2.0L 4 Cyl. 16v DOHC EFI	F4R	Idler	36176
MEGANE	2003-09		2.0L 4 Cyl. 16v DOHC EFI	F4R	Idler	36176
MEGANE	2007-09		1.9L 4 Cyl. 8v SOHC Turbo Diesel Direct Inj.	F9Q	Tensioner - w/ AC	38457
SCENIC	1999-04		1.6L 4 Cyl. 16v DOHC EFI	K4M	Serp. - w/ AC	5PK1755
					Serp. - w/o AC	5PK1105
					Tensioner	39009
SCENIC	2001-03	RX4	2.0L 4 Cyl. 16v DOHC EFI	F4R	Serp. - w/ AC	5PK1750
					Idler	36176
SCENIC	2001-07		2.0L 4 Cyl. 16v DOHC EFI	F4R	Serp. - w/ AC	5PK1750
					Idler	36176
TRAFIC	2004-07		1.9L 4 Cyl. 8v SOHC Turbo Diesel EFI	F9Q	Idler	36213
ROVER						
114	1990-97		1.4L 4 Cyl. 16v SOHC EFI	14K8	Alt. - 740mm Belt	4PK740
					Alt. - 775mm Belt	4PK775
214	1990-00		1.4L 4 Cyl. 16v SOHC EFI	14K	Tensioner	38441
214	1990-00	Convertible	1.4L 4 Cyl. 16v SOHC EFI	14K	Tensioner	38441
216	1990-01		1.6L 4 Cyl. 16v SOHC EFI	16K	Tensioner	38441
216	1990-95		1.6L 4 Cyl. 16v SOHC EFI	16K	Tensioner	38441
216	1996-01	Convertible	1.6L 4 Cyl. 16v SOHC EFI	16K	Tensioner	38441
416	1986-99		1.6L 4 Cyl. 16v SOHC EFI	D16A	Alt.	3PK710
					AC	13A0890
					PS	11A0915
					Tensioner	38441
416	1993-99		1.6L 4 Cyl. 16v DOHC EFI	K16	Alt.	3PK710
					AC	13A0890
					PS	11A0915
					Tensioner	38441
75	1999-07		2.5L V6 24v DOHC EFI	25K	Serp.	6PK1590
825	1987-88		2.5L V6 Cyl. 24v SOHC EFI	C25A	Alt.	3PK1080
					AC	4PK915
					PS	11A1055
825I	1987-88		2.5L V6 Cyl. 24v SOHC EFI	C25A	Alt.	3PK1080
					AC	4PK915
					PS	11A1055
827	1989-98		2.7L V6 24v DOHC EFI	C27A	Alt.	3PK1080
					AC	4PK900
					PS	11A1055

* = NZ Vehicles Only

Model	Year	Variant	Engine	Engine Code	Description	Part Number
ROVER CONTINUED						
2000	1964-72	P6	2.0L 4 Cyl. 8v SOHC Carb.	2.0	Alt. & Fan	11A0890
2200	1972-77	P6	2.2L 4 Cyl. 8v SOHC Carb.	2.2	Alt. & Fan	11A0890
3500	1969-76		3.5L V8 16v OHV Carb.	11A	Alt. & Fan	11A1090
					PS	13A0900
3500	1982-86		3.5L V8 16v OHV EFI	21A	Alt. & AC	11A775
					Alt. - w/o AC	11A1225
					Fan	13A1000
					PS	13A0925
QUINTET	1983-86	SU	1.6L 4 Cyl. 8v SOHC Carb.		Alt.	11A0990
					AC	13A1150
					PS	11A0940
SAAB						
93	1993-02		2.3L 4 Cyl. 16v DOHC EFI	B234I	Serp.	6PK2345
					Tensioner	38226
					Idler Pulley	38083
93	1995-99		2.5L V6 24v DOHC EFI	B258I	Serp.	6PK2345
93	1996-00		2.0L 4 Cyl. 16v DOHC Turbo EFI	B204L	Serp.	6PK2345
					Tensioner	38226
					Idler Pulley	38083
93	1997-99		2.0L 4 Cyl. 16v DOHC EFI	B204I	Serp.	6PK2345
93	1998-01		2.0L 4 Cyl. 16v DOHC Turbo EFI	B204E	Serp.	6PK2345
					Tensioner	38226
					Idler Pulley	38083
93	1999-01		2.0L 4 Cyl. 16v DOHC Turbo EFI	B205L	Serp.	6PK2345
					Tensioner	38177
					Tensioner Pulley	38011
93	1999-01		2.3L 4 Cyl. 16v DOHC Turbo EFI	B235R	Serp.	6PK2345
					Tensioner	38226
					Idler Pulley	38083
93	1999-04		2.0L 4 Cyl. 16v DOHC Turbo EFI	B205R	Serp.	6PK2345
					Tensioner	38177
					Tensioner Pulley	38011
93	2000-04		2.0L 4 Cyl. 16v DOHC Turbo EFI	B205E	Serp.	6PK2345
					Tensioner	38177
					Tensioner Pulley	38011
93	2002-07		2.0L 4 Cyl. 16v DOHC Turbo EFI	B207E	Serp.	5PK1030
					Tensioner	38177
93	2002-09		2.0L 4 Cyl. 16v DOHC Turbo EFI	B207L	Serp.	5PK1030
					Tensioner	38177
93	2003-09		2.0L 4 Cyl. 16v DOHC Turbo EFI	B207R	Serp.	5PK1030
					Tensioner	38177
93	2004-07		2.0L 4 Cyl. 16v DOHC Turbo EFI	B207C	Serp.	5PK1030
					Tensioner	38177
95	1997-06		2.3L 4 Cyl. 16v DOHC Turbo EFI	B235E	Serp. - w/ AC	6PK2615
					Serp. - w/o AC - w/ Auto. Ten.	6PK1975
					Serp. - w/o AC - w/ Man. Ten.	6PK1995
					Tensioner	38226
					Idler Pulley	38083

Model	Year	Variant	Engine	Engine Code	Description	Part Number
SAAB CONTINUED						
95	1998-02		2.0L 4 Cyl. Turbo 16v DOHC Turbo EFI	B205E	Serp. - w/ AC	6PK2615
					Serp. - w/o AC - w/ Auto. Ten.	6PK1975
					Serp. - w/o AC - w/ Man. Ten.	6PK1995
					Tensioner	38226
					Idler Pulley	38083
95	1998-02		3.0L V6 24v DOHC Turbo EFI	B308E	Serp.	6PK2615
95	1999-06		2.3L 4 Cyl. 16v DOHC Turbo EFI	B235R	Serp. - w/ AC	6PK2615
					Serp. - w/o AC - w/ Auto. Ten.	6PK1975
					Serp. - w/o AC - w/ Man. Ten.	6PK1995
					Tensioner	38226
					Idler Pulley	38083
95	2003-06		2.3L 4 Cyl. 16v DOHC Turbo EFI	B235L	Serp. - w/ AC	6PK2615
					Serp. - w/o AC - w/ Auto. Ten.	6PK1975
					Serp. - w/o AC - w/ Man. Ten.	6PK1995
					Tensioner	38226
					Idler Pulley	38083
900	1979-90		2.0L 4 Cyl. 8v SOHC EFI	B201	Alt. - 1981-83	11A0980
					AC - From CH. # G2024752, G3014892, H7004142	11A1180
					AC - to CH. # G2024751, G3014891, H7004141	13A1205
					AC Non-Injection Eng.	13A1205
					PS - From CH. # K3010694, K7015708	11A0840
					PS - From above to CH. # K3010693, K7015707	11A1180
					PS - to CH. # C1022811, C2008119, C3007692, C6002218	11A1255
					Idler Pulley AC	38038
900	1982-94		2.0L 4 Cyl. 16v DOHC Turbo EFI	B202L	Alt.	11A0980
					AC	13A1205
					PS - 1195mm Belt	11A1195
					PS - 1255mm Belt	11A1255
900	1990-03		2.0L 4 Cyl. 16v DOHC Turbo EFI	B204L	Serp. - w/ AC	6PK2635
					Serp. - w/o AC	6PK2005
					Tensioner	38470
					Idler Pulley AC	38038
900	1990-94		2.1L 4 Cyl. 16v DOHC EFI	B212I	Idler Pulley AC	38038
900	1993-06		2.3L 4 Cyl. 16v DOHC EFI	B234I	Serp. - w/ AC	6PK2635
					Serp. - w/o AC	6PK2005
					Idler	38083
900	1994-02		2.5L V6 24v DOHC EFI	B258I	Serp. - w/ AC	6PK2310
					Serp. - w/o AC	6PK1905
					Tensioner	38179
					Idler	38081

* = NZ Vehicles Only

Model	Year	Variant	Engine	Engine Code	Description	Part Number
SAAB CONTINUED						
900	1994-98		2.0L 4 Cyl. 16v DOHC EFI	B204I	Serp. - w/ AC	6PK2635
					Serp. - w/o AC	6PK2005
					Tensioner	38470
					Idler Pulley AC	38038
9000	1986-96		2.0L 4 Cyl. 16v DOHC Turbo EFI	B202I	Serp. - w/ AC	6PK2310
					AC	13A1275
9000	1990-01		2.3L 4 Cyl. 16v DOHC EFI	B234I	Serp.	6PK2555
					Idler Pulley	38074
					Idler Pulley	38077
9000	1991-98		2.3L 4 Cyl. 16v DOHC Turbo EFI	B234L	Serp.	6PK2540
					Tensioner Pulley	38074
					Idler Pulley	38077
9000	1993-98		2.3L 4 Cyl. 16v DOHC Turbo EFI	B234E	Serp.	6PK2540
					Tensioner Pulley	38074
					Idler Pulley	38077
9000	1994-97		3.0L V6 24v DOHC EFI	B308I	Serp.	6PK2230
					Idler Pulley	38077
					Idler Pulley	38081
9000	1995-98		2.3L 4 Cyl. 16v DOHC Turbo EFI	B234R	Serp.	6PK2540
					Tensioner Pulley	38074
					Idler Pulley	38077
SEAT						
CORDOBA	1995-96		1.8L 4 Cyl. 8v SOHC EFI	ABS	Serp. w/ AC	6PK1145
					Serp. - w/o AC - w/ 3 Pull.	6PK890
CORDOBA	1997-99		1.8L 4 Cyl. 8v SOHC EFI	ADZ	Serp. w/ AC	6PK1145
					Serp. - w/o AC - w/ 3 Pull.	6PK890
CORDOBA	1998-99		1.6L 4 Cyl. 8v SOHC EFI	AFT	Alt. & AC	6PK1145
					Alt. - w/o AC	6PK890
					AC & PS	11A0760
					PS - w/o AC	10A0685
CORDOBA	1998-99		1.6L 4 Cyl. 8v SOHC EFI	AEE	Serp. - w/ PS - w/ AC	6PK1190
					Serp. - w/ PS - w/o AC	6PK1065
					Serp. - w/o PS - w/o AC	6PK750
IBIZA	1994-97		2.0L 4 Cyl. 16v DOHC EFI	ABF	Alt. - w/ AC	6PK1145
					Alt. & AC	6PK1155
					PS	11A0760
					PS - w/o AC	10A0685
IBIZA	1995-98		1.4L 4 Cyl. 8v SOHC EFI	ABD	Alt. & AC	6PK1190
					Alt. - w/ PS - w/o AC	6PK1105
					Alt. - w/o PS - w/o AC	6PK750
IBIZA	1995-98		2.0L 4 Cyl. 8v SOHC EFI	2E	Alt. & AC	6PK1155
					Alt. - w/o AC - w/ 3 Pull.	6PK890
					Alt. - w/o AC - w/ 3 Pull. & Ten.	6PK980
					PS - w/ AC	11A0760
					PS - w/o AC	10A0685

Model	Year	Variant	Engine	Engine Code	Description	Part Number
SEAT CONTINUED						
TOLEDO	1995-98		2.0L 4 Cyl. 16v DOHC EFI	ABF	Alt. - w/ AC	6PK1155
					PS - w/ AC	10A0750
					PS - w/o AC	10A0685
TOLEDO	1995-99		2.0L 4 Cyl. 8v SOHC EFI	2E	Alt. & AC	6PK1145
					Serp. - w/o AC - w/ 3 Pull.	6PK890
					Alt. - w/o AC - w/ 3 Pull. & Ten.	6PK980
					PS - w/ AC	10A0750
					PS - w/o AC	10A0685
SKODA						
120L	1986-90		1.2L 4 Cyl. 8v OHV Carb.	1200	Alt. & Fan	11A0990
SMART						
CABRIO	2003-04	A450	0.7L 3 Cyl. 6v SOHC Turbo EFI	15	Alt.	4PK790
					AC	3PK855
CITY COUPE	2003-04	C450	0.7L 3 Cyl. 6v SOHC Turbo EFI	15	Alt.	4PK790
					AC	3PK855
FORFOUR	2004-05	W454	1.5L 4 Cyl. 16v SOHC EFI	4G15	Alt.	4PK790
					AC	3PK855
FORFOUR	2004-06	W454	1.3L 4 Cyl. 16v SOHC EFI	M135.930	Alt.	4PK790
					AC	3PK855
FORFOUR	2004-06	W454	1.5L 4 Cyl. 16v SOHC EFI	M135.950	Alt.	4PK790
					AC	3PK855
FORTWO	2003-06	C450	0.7L 3 Cyl. 6v SOHC Turbo EFI	15	Alt.	4PK790
					AC	3PK855
FORTWO	2004-05	A450	0.7L 3 Cyl. 6v SOHC Turbo EFI	15	Alt.	4PK790
					AC	3PK855
ROADSTER	2003-05	R452	0.7L 3 Cyl. 6v SOHC Turbo EFI	15	Alt.	4PK790
					AC	3PK855
SSANGYONG						
KORANDO	1998		2.3L 4 Cyl. 16v DOHC EFI	M111.973	Serp. - w/ AC	6PK2155
MUSSO	1996-01		3.2L 6 Cyl. 24v DOHC EFI	M162.990	Serp. - w/ AC	6PK2250
MUSSO	1996-98		2.9L 5 Cyl. 10v SOHC Turbo Diesel	OM662.910	Serp. - w/ AC	6PK2100
MUSSO	1997-98		2.3L 4 Cyl. 16v DOHC EFI	M111.970	Serp. - w/ AC	6PK2155
REXTON	2004-07		2.7L 5 Cyl. 20v DOHC Turbo EFI	OM665.925	Serp.	6PK2250
REXTON	2006-04		2.7L 5 Cyl. 20v DOHC Turbo EFI	OM665.935	Serp.	6PK2250
STAVIC	2005-06		2.7L 5 Cyl. 20v DOHC Turbo EFI	OM665.926	Serp.	6PK2250
SUBARU						
ACE	1989-93		0.7L 2 Cyl. 4v SOHC Carb.	EN08	Alt. & WP	10A0675
ACE	1989-93		0.8L 4 Cyl. 8v SOHC Carb.	EK42	Alt. & WP	3PK820
					AC	10A0685
ALCYONE	1985-89		1.8L 4 Cyl. 8v SOHC Turbo EFI	EA82T	Alt.	4PK960
BRUMBY	1978-80		1.6L 4 Cyl. 8v OHV Carb.	EA71	Alt. & AC	11A0915
					Alt. & WP - w/ AC	11A1080
					Alt. & WP - w/o AC	11A0940
					AC	13A1255
BRUMBY	1982-94	AU5	1.6L 4 Cyl. 8v OHV Carb.	EA81	Alt. & PS	11A0900
					AC - Comp. Hitachi	13A1345
					AC - Comp. Sankyo	13A1285
					PS	13A1255

* = NZ Vehicles Only

Model	Year	Variant	Engine	Engine Code	Description	Part Number
SUBARU CONTINUED						
DL	1972-76	LA22	1.4L 4 Cyl. 8v OHV Carb.	EA63	Alt. & WP - w/ Air Pump	11A0890
					Alt. & WP - w/o Air Pump	11A0980
DL	1976-80	AM3	1.6L 4 Cyl. 8v OHV Carb.	EA71	Alt. & AC	11A0775
					Alt. & WP	11A0850
					Alt. & WP - w/o AC	11A0915
					AC & WP - 950mm Belt	11A0950
					AC & WP - 1080mm Belt	11A1080
					AC	13A1245
DL	1977-80	A33	1.6L 4 Cyl. 8v OHV Carb.	EA71	Alt. & AC	11A0775
					Alt. & WP	11A0850
					Alt. & WP - w/o AC	11A0915
					AC & WP - 950mm Belt	11A0950
					AC & WP - 1080mm Belt	11A1080
					AC	13A1245
DL	1980-84	AM5	1.8L 4 Cyl. 8v OHV Carb.	EA81	Alt & - WP	11A0900
					Alt, - w/ AC, w/ PS, w/ WP	11A1145
					Alt & WP - w/ AC, w/o PS	15A1105
					Alt & WP - w/o AC, w/ PS	15A0980
					Alt & WP - w/o AC, w/o PS	13A0925
					AC - Hitachi Comp. - 1345mm Belt	13A1345
					AC - Hitachi Comp. - 1370mm Belt	13A1370
					AC - Sankyo Comp.	13A1285
					PS	13A1255
DL	1982-85	AJ5	1.8L 4 Cyl. 8v OHV Carb.	EA81	Alt & - WP	11A0900
					Alt & WP - w/ AC, w/o PS	15A1105
					Alt, - w/ AC, w/ PS, w/ WP	11A1145
					Alt & WP - w/o AC, w/ PS	15A0980
					Alt & WP - w/o AC, w/o PS	13A0925
					AC - Hitachi Comp. - 1345mm Belt	13A1345
					AC - Hitachi Comp. - 1370mm Belt	13A1370
					AC - Sankyo Comp.	13A1285
					PS	13A1255
DOMINGO	1983-91	KJ5	1.0L 4 Cyl. 6v SOHC Carb.	EF10	Alt. & WP	10A0685
DOMINGO	1983-91	KJ6	1.0L 4 Cyl. 6v SOHC Carb	EF10	Alt. & WP	10A0685
DOMINGO	1983-91	KJ6	1.0L 4 Cyl. 6v SOHC Carb	EF10	Alt. & WP	10A0685
DOMINGO	1983-91	KJ8	1.1L 4 Cyl. 6v SOHC Carb.	EF12	Alt. & WP	10A0685
FIORI	1988-92	KP5	0.8L 4 Cyl. 8v SOHC Carb.	EN08	Alt. - Micro-V Belt	3PK820
					Alt. - V-Belt	11A0610
					AC	11A0685
FORESTER	1997-02	SF5	2.0L 4 Cyl. 16v SOHC EFI	EJ20	Alt.	5PK875
					AC	4PK890
					Idler Pulley - AC	38030

Model	Year	Variant	Engine	Engine Code	Description	Part Number
SUBARU CONTINUED						
FORESTER	1998-00	SF5	2.0L 4 Cyl. 16v DOHC Turbo EFI	EJ20T	Alt.	5PK875
					AC	4PK890
					Idler Pulley - AC	38030
FORESTER	2002-04	SG5	2.0L 4 Cyl. 16v DOHC Turbo EFI	EJ20T	Idler Pulley - AC	38030
FORESTER	2002-07	SF9	2.5L 4 Cyl. 16v DOHC EFI	EJ25	Alt. & PS	5PK890
					AC	4PK895
FORESTER	2002-07	SG8	2.5L 4 Cyl 16v SOHC SPFI	EJ25	Alt.	5PK885
					AC	4PK895
FORESTER	2002-07	SG9	2.5L 4 Cyl 16v DOHC Turbo	EJ25T	Alt. & PS	5PK875
					AC	4PK845
FORESTER	2007-09	SH9	2.5L 4 Cyl 16v SOHC SPFI	EJ25	Alt.	5PK885
					AC	4PK900
GL	1977-81	AM3	1.6L 4 Cyl. 8v OHV Carb.	EA71	Alt. - 775mm Belt	11A0775
					Alt. & WP - 913mm Belt	11A0915
					Alt. & WP - 850mm Belt	11A0850
					AC & WP - 950mm Belt	11A0980
					AC & WP - 1080mm Belt	11A1080
					PS & WP	13A1245
GL	1984-90	AK5	1.8L 4 Cyl. 8v SOHC Carb.	EA82	Alt. - w/ AC, w/ PS	13A1150
					Alt. & AC - w/o PS	13A1105
					Alt. & WP - w/o AC, w/o PS	13A0915
					AC & WP - w/ PS	13A0990
					AC - w/ Idler	13A0950
GL	1985-87	AC5	1.8L 4 Cyl. 8v SOHC Carb.	EA82	Alt. - w/ AC, w/ PS	13A1150
					Alt. & AC - w/o PS	13A1105
					Alt. & WP - w/o AC, w/o PS	13A0915
					AC & WP - w/ PS	13A0990
					AC - w/ Idler	13A0950
GL	1987-94	AN5	1.8L 4 Cyl. 8v SOHC Carb.	EA82	Alt. - w/ AC, w/ PS	13A1150
					Alt. & AC - w/o PS	13A1105
					Alt. & WP - w/o AC, w/o PS	13A0915
					AC & WP - w/ PS	13A0990
					AC - w/ Idler	13A0950
IMPREZA	1992-98		1.6L 4 Cyl. 16v SOHC MPFI	EJ16	Alt. & Fan	5PK690
					Alt. & PS	5PK875
					AC - 1993-7/95	5PK855
					AC - 7/95-98	4PK890
IMPREZA	1992-98		1.8L 4 Cyl. 16v SOHC EFI	EJ18	Alt. & Fan	5PK690
					Alt. & PS	5PK875
					AC - 1993-7/95	5PK845
					AC - 7/95-98	4PK890
IMPREZA	1994-07		2.0L 4 Cyl. 16v SOHC EFI	EJ20	Alt. & PS	5PK875
					Alt. & Fan - to 07/98	5PK690
					AC - to 7/95	5PK855
					AC - from 7/95	4PK890
					Idler Pulley - AC	38030

* = NZ Vehicles Only

Model	Year	Variant	Engine	Engine Code	Description	Part Number
SUBARU CONTINUED						
IMPREZA	1994-07	WRX	2.0L 4 Cyl. 16v DOHC Turbo EFI	EJ20T	Alt.	5PK885
					AC	4PK890
					Idler Pulley - AC	38030
IMPREZA	1998-07		2.0L 4 Cyl. 16v DOHC EFI	EJ20	Alt.	5PK875
					AC	4PK900
					Idler Pulley - AC	38030
IMPREZA	2001-05	WRX STI	2.0L 4 Cyl. 16v DOHC Turbo EFI	EJ20T	Alt.	5PK885
					AC	4PK890
					Idler Pulley - AC	38030
IMPREZA	2004-07		2.5L 4 Cyl. 16v DOHC EFI	EJ25	Alt.	5PK875
					AC	4PK895
					Idler Pulley - AC	38030
IMPREZA	2005-07	WRX	2.5L 4 Cyl. 16v DOHC EFI	EJ25	Alt.	5PK875
					AC	4PK895
					Idler Pulley - AC	38030
JUSTY	1984-94		1.0L 3 Cyl. 6v SOHC Carb.	EF10	Alt. - Micro-V Belt	3PK635
					Alt. - V-Belt	10A0675
					AC	13A0990
JUSTY	1985-95		1.2L 3 Cyl. 6v SOHC Carb	EF12	Alt. - w/ AC - Micro-V Belt	4PK700
					Alt. - w/ AC - V-Belt	4PK990
					Alt. - w/o AC - V-Belt	10A0675
LEONE	1975-85		1.6L 4 Cyl. 8v OHV Carb.	EA71	Alt. & WP - 4WD - w/ AC	11A0850
					Alt. & WP - Exc. 4WD	11A0915
					Alt. & WP - 4WD - w/o AC	11A0890
					Fan & AC - 4WD	13A1275
					AC & WP - Exc. 4WD	13A1285
					AC & WP - 950mm Belt	11A0950
					AC & WP - 1080mm Belt	11A1080
LEONE	1980-83		1.8L 4 Cyl. 8v SOHC Carb.	EA81	Alt. & WP - w/ AC, w/ PS	13A1140
					Alt. - w/ AC, w/ PS - (2 Belts)	13A0990
					Alt. & WP	11A0915
					Alt. & WP - w/o AC, w/o PS	13A0915
					AC & WP - w/o PS	13A0915
					AC - Hitachi Compr.	13A1370
					AC - Sankyo Compr.	13A1285
					PS	13A1270
LEONE	1984-89		1.8L 4 Cyl. 8v SOHC EFI	EA82	Alt. & WP - w/ AC, w/ PS	13A1145
LEONE	1984-89		1.8L 4 Cyl. 8v SOHC Turbo EFI	EA82T	Alt. - w/ AC, w/ PS	13A1150
					Alt. - w/ AC, w/o PS	13A1105
					AC - w/o PS	13A0950
					AC - w/ PS	13A0990

Model	Year	Variant	Engine	Engine Code	Description	Part Number
SUBARU CONTINUED						
LEONE	1984-94		1.8L 4 Cyl. 8v SOHC Carb.	EA82	Alt. & WP - w/ AC, w/ PS	13A1150
					Alt. & WP - w/ AC, w/o PS	13A1105
					Alt. & WP - w/o AC, w/o PS	13A0915
					AC - w/o PS	13A0950
					AC & PS	13A0990
LIBERTY	1989-94		2.0L 4 Cyl. 16v DOHC Turbo EFI	EJ20T	Alt. & WP	5PK875
					AC	4PK890
LIBERTY	1989-99		2.2L 4 Cyl. 16v SOHC EFI	EJ22	Alt. & PS	5PK875
					AC - 1989-7/95	5PK855
					AC - 7/95-99	4PK890
LIBERTY	1996-99		2.5L 4 Cyl. 16v DOHC EFI	EJ25D	Alt.	5PK875
					AC	4PK885
LIBERTY	1996-99		2.5L 4 Cyl. 16v SOHC EFI	EJ25	Alt. & PS	5PK875
					AC	4PK885
LIBERTY	1998-00		2.0L 4 Cyl. 16v SOHC EFI	EJ20A	Alt. & PS	5PK875
					AC	4PK895
					Idler Pulley - AC	38030
LIBERTY	1998-03		2.5L 4 Cyl. 16v DOHC Turbo EFI	EJ257	Alt.	5PK875
					AC	4PK885
LIBERTY	1998-03		2.5L 4 Cyl. 16v SOHC EFI	EJ25A	Alt. & PS	5PK875
					AC	4PK885
LIBERTY	1998-04		2.5L 4 Cyl. 16v SOHC EFI	EJ25B	Alt. & PS	5PK875
					AC	4PK885
LIBERTY	1999-01		2.5L 4 Cyl. 16v SOHC EFI	EJ256	Alt. & PS	5PK875
					AC	4PK885
LIBERTY	1999-07		2.0L 4 Cyl. 16v SOHC EFI	EJ20B	Alt. & PS	5PK875
					AC - to 2003	4PK895
					AC - from 2003	4PK0845
					Idler Pulley - AC	38030
LIBERTY	2003-07		2.5L 4 Cyl. 16v SOHC EFI	EJ25C	Alt. & PS	5PK875
					AC	4PK845
LIBERTY	2004-07		3.0L 6 Cyl. 24v DOHC EFI	EZ30	Alt.	6PK1590
OUTBACK	1996-99		2.5L 4 Cyl. 16v DOHC EFI	EJ25	Alt.	5PK875
					AC	4PK885
					Idler Pulley - AC	38030
OUTBACK	1998-07		2.5L 4 Cyl. 16v SOHC EFI	EJ25	Alt.	5PK875
					AC - to 2003	4PK885
					AC from 2003	4PK845
OUTBACK	2003-08		3.0L 6 Cyl. 24v DOHC EFI	EZ30U	Serp.	6PK1650
SHERPA	1982-89	FIORI	0.7L 2 Cyl. 4v SOHC Carb.	EK42	Alt. - Micro-V Belt	3PK820
					Alt. - V-Belt	11A0610
					AC	11A0685
SVX	1992-96		3.3L 6 Cyl. 24v DOHC EFI	EG33	Alt. & PS	5PK875
					AC	4PK850

* = NZ Vehicles Only

Model	Year	Variant	Engine	Engine Code	Description	Part Number
SUBARU CONTINUED						
VORTEX	1985-89		1.8L 4 Cyl. 8v SOHC Carb.	EA82	Alt. - w/ AC, w/ PS, w/ WP	4PK1120
					Alt. w/ AC, w/ PS, w/o WP	4PK1080
					Alt., - w/o AC, w/ PS, w/ WP	4PK960
					Alt. & WP - w/o AC, w/o PS	5PK875
					Alt. & WP - w/o AC, w/o PS	4PK890
					AC - w/ PS	4PK980
VORTEX	1985-90		1.8L 4 Cyl. 8v SOHC Turbo EFI	EA82T	Alt., w/ AC, w/ PS, w/ WP	4PK1120
					Alt., w/ AC, w/ PS, w/o WP	4PK1080
					Alt. & WP - w/o AC, w/o PS	5PK875
					Alt., - w/o AC, w/ PS, w/ WP	4PK960
					AC - w/ PS	4PK980
VORTEX	1986-89		1.8L 4 Cyl. 8v SOHC Turbo Carb.	EA82T	Alt., w/ AC, w/ PS, w/ WP	4PK1120
					Alt., w/ AC, w/ PS, w/o WP	4PK1080
					Alt., - w/o AC, w/ PS, w/ WP	4PK960
					Alt. & WP - w/o AC, w/o PS	5PK875
					AC - w/ PS	4PK980
SUZUKI						
ALTO	1982-89		0.5L 3 Cyl. 6v SOHC Carb.	F5A	Alt. & WP - to 09/84	11A0840
ALTO	1984-93		0.8L 3 Cyl. 6v SOHC Carb.	F8B	Alt. & WP	11A0840
ALTO	1995-99	SH410	1.0L 4 Cyl. 8v SOHC EFI	G10B	Alt.	4PK810
					AC	4PK920
					PS	4PK835
BALENO	1995-01		1.8L 4 Cyl. 16v DOHC EFI	J18A	Serp. - w/ AC	5PK1635
					Serp. - w/o AC	5PK1550
BALENO	1995-01	GTX	1.8L 4 Cyl. 16v DOHC EFI	J18A	Serp. - w/ AC	5PK1635
					Serp. - w/o AC	5PK1550
BALENO	1995-02		1.6L 4 Cyl. 16v SOHC EFI	G16B	Alt. & WP	4PK815
					AC - w/o PS	4PK835
					PS - w/ AC	4PK1005
					PS - w/o AC	4PK900
CARRY	1985-90	SK410	1.0L 4 Cyl. 8v SOHC Carb.	F10A	Alt.	11A0775
CARRY	1999-05	GA413	1.3L 4 Cyl. 16v SOHC EFI	G13BB	Serp.	4PK815
CINO	1994-00	SF413	1.3L 4 Cyl. 8v SOHC EFI	G13BA	Alt. & WP	3PK820
CINO	1994-99	SF413	1.3L 4 Cyl. 8v SOHC Carb.	G13BA	Alt. & WP	3PK820
CULTUS	1983-99	AA	1.0L 3 Cyl. 6v SOHC Carb.	G10	Alt. & WP	11A0840
					AC - AA41, AB41	11A0850
					AC - AA43, AB43	11A0785
CULTUS	1984-87	AA	1.3L 4 Cyl. 16v SOHC Carb	G13A	Alt. & WP - w/ Man. Trans.	10A0815
					Alt. & WP - w/ Auto Trans.	11A0850
					AC - 11mm Belt T.W.	11A0840
					AC - 13mm Belt T.W.	13A0915
CULTUS	1984-98	AB	1.0L 3 Cyl. 6v SOHC Carb.	G10	Alt. & WP	3PK820
					AC	4PK760

* = NZ Vehicles Only

Model	Year	Variant	Engine	Engine Code	Description	Part Number
SUZUKI CONTINUED						
CULTUS	1986-89	AA	1.3L 4 Cyl. 16v DOHC EFI	G13B	Alt. & WP	4PK815
					AC - 11mm Belt T.W.	11A0840
					AC - 13mm Belt T.W.	13A0915
CULTUS	1988-94	AA	1.3L 4 Cyl. 16v DOHC Carb.	G13B	Alt. & WP	4PK815
					AC - 11mm Belt T.W.	11A0840
					AC - 13mm Belt T.W.	13A0915
CULTUS	1988-99	AB	1.3L 4 Cyl. 16v DOHC Carb.	G13B	Alt. & WP	4PK815
					AC - 11mm Belt T.W.	11A0840
					AC - 13mm Belt T.W.	13A0915
GRAND VITARA	1998-05	SQ420	2.0L 4 Cyl. 16v DOHC EFI	J20A	Alt. - w/ AC	5PK1635
					Alt. - w/o AC	5PK1550
					Fan	3PK500
					Tensioner	38156
					Tensioner Pulley	38010
GRAND VITARA	1998-06	SQ625	2.5L V6 24v DOHC MPFI	H25A	Alt.	4PK925
					PS - w/ AC	4PK1090
					PS - w/o AC	4PK1030
GRAND VITARA	1999-05	SQ416	1.6L 4 Cyl. 16v SOHC EFI	G16B	Alt.	4PK815
					PS - w/ AC	4PK940
					PS - w/o AC	4PK785
GRAND VITARA	2001-05		2.7L V6 24v DOHC MPFI	H27A	Alt.	4PK925
					PS - w/ AC	4PK1090
GRAND VITARA	2005-06	JB416	1.6L 4 Cyl. 16v DOHC EFI	M16A	AC - w/ PS	4PK955
GRAND VITARA	2005-07	JB627	2.7L V6 24v DOHC MPFI	H27A	Alt.	4PK925
					PS - w/ AC	4PK1090
GRAND VITARA	2005-09	JB420	2.0L 4 Cyl. 16v DOHC EFI	J20A	Alt. - w/ AC	5PK1635
					Alt. - w/o AC	5PK1550
					Fan	3PK500
					Tensioner	38156
					Tensioner Pulley	38010
HATCH	1980-85	SS40V	796cc 3 Cyl. 6v SOHC CARB	F8B	Alt. & WP	11A0840
HATCH	1980-85	SS80V	543cc 3 Cyl. 6v SOHC CARB	F5A	Alt. & WP	11A0840
IGNIS	2000-05	RG413	1.3L 4 Cyl. 16v DOHC EFI	M13A	Alt.	4PK830
					AC	4PK810
IGNIS	2003-05	RG415	1.3L 4 Cyl. 16v DOHC EFI	M13A	Alt.	4PK830
					AC	4PK810
JIMNY	1998-07	SN413	1.3L 4 Cyl. 16v SOHC MPFI	G13BB	Alt.	4PK815
					AC - w/ PS	4PK900
					AC - w/o PS	4PK815
					PS - w/o AC	4PK815
JIMNY	2000-06	SN413	1.3L 4 Cyl. 16v DOHC EFI	M13A	Alt. & PS	4PK835
					AC	4PK815
LIANA	2001-04	RH418	1.6L 4 Cyl. 16v DOHC EFI	M16A	Alt.	4PK830
					AC & PS	4PK1015
LIANA	2003-07	RH416	1.6L 4 Cyl. 16v DOHC EFI	M18A	Alt.	4PK830
					AC & PS	4PK1015
MIGHTY BOY	1995-88	SS40	0.5L 3 Cyl. 6v SOHC Carb.	F5A	Alt. & Fan	11A0775

* = NZ Vehicles Only

Model	Year	Variant	Engine	Engine Code	Description	Part Number
SUZUKI CONTINUED						
SIERRA	1981-88	SJ40	1.0L 4 Cyl. 8v SOHC Carb.	F10A	Alt. & Fan	11A0750
					AC	13A0760
SIERRA	1984-89	SJ50	1.3L 4 Cyl. 8v SOHC Carb.	G13A	Alt. & WP	11A0840
					AC	11A0785
SIERRA	1990-00	STOCKMAN MG410	1.0L 4 Cyl. 8v SOHC Carb.	F10A	Alt. & Fan	11A0750
					AC	13A0760
SIERRA	1996-98	SJ70	1.3L 4 Cyl. 8v SOHC Carb.	G13BA	Alt. & WP	11A0840
					AC	11A0785
ST80	1978-79		0.8L 4 Cyl. 8v SOHC Carb.	F8A	Alt.	11A0775
ST90	1979-85		0.8L 4 Cyl. 8v SOHC Carb.	F8A	Alt.	11A0775
SUPER CARRY	1985-90	SK410	1.0L 4 Cyl. 8v SOHC Carb.	F10A	Alt. & Fan	11A0775
SWIFT	1983-86	SA	1.0L 3 Cyl. 6v SOHC Carb.	G10	Alt. & WP	11A0840
					AC - Micro-V Belt	3PK810
					AC - V-Belt	11A0850
					PS	4PK850
SWIFT	1984-89		1.3L 4 Cyl. 8v SOHC Carb.	G13A	Alt. & WP	11A0840
					AC	11A0850
					PS	4PK850
SWIFT	1986-88	SA413	1.3L 4 Cyl. 16v DOHC Carb.	G13B	Alt. & WP	3PK820
					AC	4PK800
					PS	4PK850
SWIFT	1988-96	SF	1.0L 3 Cyl. 6v SOHC Carb.	G10	Alt. & WP	3PK810
					AC	4PK800
					PS	4PK850
SWIFT	1989-95	SF416	1.6L 4 Cyl. 16v SOHC EFI	G16B	Alt.	4PK815
					AC	4PK945
					PS	4PK945
SWIFT	1989-96	GL	1.3L 4 Cyl. 16v DOHC EFI	G13B	Alt. & WP	4PK815
					AC	4PK800
					PS	4PK850
SWIFT	1989-96	GLX	1.3L 4 Cyl. 16v DOHC EFI	G13B	Alt. & WP	4PK815
					AC	4PK800
					PS	4PK850
SWIFT	1989-99	SF413	1.3L 4 Cyl. 16v DOHC Carb.	G13B	Alt. & WP	3PK820
					AC	4PK800
					PS	4PK850
SWIFT	1990-00		1.3L 4 Cyl. 8v SOHC EFI	G13BA	Alt. & WP	3PK820
					AC	4PK800
					PS	4PK850
SWIFT	1994-99		1.3L 4 Cyl. 8v SOHC Carb.	G13BA	Alt. & WP	3PK820
					AC	4PK800
					PS	4PK850
SWIFT	2004-07	RC415	1.5L 4 Cyl. 16v DOHC EFI	M15A	Alt.	4PK840
					AC	4PK810
VITARA	1988-96		1.6L 4 Cyl. 8v SOHC EFI	G16A	Alt. & Fan	4PK800
					AC - w/o PS	4PK830
					AC & PS	4PK900
					PS	4PK785

Model	Year	Variant	Engine	Engine Code	Description	Part Number
SUZUKI CONTINUED						
VITARA	1991-99	SE416	1.6L 4 Cyl. 16v SOHC EFI	G16B	Alt. & Fan	4PK800
					AC & PS	4PK940
					AC - w/o PS	4PK815
					PS	4PK785
VITARA	1995-98	SV620	2.0L V6 24v DOHC MPFI	H20A	Alt.	4PK925
					PS - w/o AC	5PK1030
					PS - w/ AC	4PK1090
VITARA	1997-01		2.0L 4 Cyl. 16v DOHC EFI	J20A	Serp.	5PK1635
					Fan	3PK500
X90	1995-98		1.6L 4 Cyl. 16v SOHC EFI	G16B	Alt. & Fan	4PK800
					AC	4PK940
					PS	4PK815
XL7	2001-05	JA627	2.7L V6 24v DOHC MPFI	H27A	Alt.	4PK925
					AC & PS	4PK1090
TATA						
SAFARI	2000-03		1.9L 4 Cyl. 8v SOHC Turbo Diesel	DL483	Alt.	4PK1040
					PS	11A0725
TELCOLINE	1996-05		1.9L 4 Cyl. 8v SOHC Diesel	483DL	Alt.	4PK1040
					PS	11A0725
TELCOLINE	1996-05		1.9L 4 Cyl. 8v SOHC Turbo Diesel	483DL	Alt.	4PK1040
					PS	11A0725
TOYOTA						
4 RUNNER	1988-95		2.4L 4 Cyl. 8v SOHC EFI	22RE	Alt.	11A0875
					AC	13A0870
					PS	13A1125
					Idler Pulley	38036
4 RUNNER	1988-98		2.4L 4 Cyl. 8v SOHC Carb.	22R	Alt. & Fan	11A0875
					AC	13A0870
					PS	13A1125
					Idler Pulley	38036
4 RUNNER	1989-96	LN130	2.8L 4 Cyl. 8v SOHC Diesel	3L	Alt. & Fan	13A1055
					AC	13A1270
					PS	13A0825
4 RUNNER	1984-86	LN60	2.4L 4 Cyl. 8v SOHC Diesel	2L	Alt. & Fan - (2 Belts)	11A0980
					AC	13A1255
					PS	13A0865
4 RUNNER	1985-89	LN61	2.4L 4 Cyl. 8v SOHC Diesel	2L	Alt. & Fan - (2 Belts)	11A0980
					AC	13A1255
					PS	13A0865
4 RUNNER	1989-96	RN130	2.4L 4 Cyl. 8v SOHC Carb.	22R	Alt. & Fan	11A0875
					AC	13A0870
					PS	13A1125
					Idler Pulley	38036
4 RUNNER	1990-96	VZN130	3.0L V6 12v SOHC EFI	3VZE	Alt.	4PK1195
					AC	13A0900
					PS	13A1220
					Idler Pulley	38036
4 RUNNER	1989-90	YN130	2.2L 4 Cyl. 8v OHV EFI	4YE	Alt.	5PK0825
					AC	13A0875

* = NZ Vehicles Only

Model	Year	Variant	Engine	Engine Code	Description	Part Number
TOYOTA CONTINUED						
CAMRY	1997-02	20 SERIES	2.2L 4 Cyl. 16v DOHC EFI	5SFE	Alt. - w/ AC	5PK1105
					Alt. - w/o AC	5PK990
					PS	3PK760
CAMRY	2000-06	ACV36	2.4L 4 Cyl. 16v DOHC EFI	2AZFE	Serp.	7PK1930
					Tensioner	38216
CAMRY	1996-02	MVC20	3.0L V6 24v DOHC EFI	1MZFE	Alt. - w/ AC	6PK1040
					Alt. - w/o AC	6PK940
					PS	4PK875
CAMRY	1998-03	MVC20R	3.0L V6 24v DOHC EFI	1MZFE	Alt. - w/ AC	6PK1040
					Alt. - w/o AC	6PK940
					PS	4PK875
CAMRY	2002-06	MVC36	3.0L V6 24v DOHC EFI	1MZFE	Alt. - w/ AC	6PK1040
					PS	4PK875
CAMRY	1996-02	SDV10	2.2L 4 Cyl. 16v DOHC EFI	5SFE	Alt. - w/ AC	5PK1105
					Alt. - w/o AC	5PK990
					PS	3PK760
CAMRY	1982-87	SV11	2.0L 4 Cyl. 8v OHV EFI	2SE	Alt. & AC	5PK1100
					Alt. - w/o AC	5PK1000
					PS	3PK760
CAMRY	1987-89	SV20	1.8L 4 Cyl. 8v SOHC Carb.	1S	Alt. - w/ AC	5PK1105
					Alt. - w/o AC	5PK990
					PS	3PK760
CAMRY	1987-94	SV21	2.0L 4 Cyl. 16v DOHC EFI	3SFE	Alt. - w/ AC	5PK1105
					Alt. & Air Pump - w/ Uniclea Air	5PK1120
					Alt. - w/o AC	5PK990
					PS	3PK760
CAMRY	1989-92	SV22	2.0L 4 Cyl. 16v DOHC Carb.	3SFC	Alt. & AC	5PK1105
					Alt. - w/o AC	5PK990
					PS	3PK760
CAMRY	1992-98	SXV10	2.2L 4 Cyl. 16v DOHC EFI	5SFE	Alt. - w/ AC	5PK1105
					Alt. - w/o AC	5PK990
					PS	3PK760
CAMRY	1992-98	SXV15	2.2L 4 Cyl. 16v DOHC EFI	5SFE	Alt. - w/ AC	5PK1105
					Alt. - w/o AC	5PK990
					PS	3PK760
CAMRY	1996-02	SXV20	2.2L 4 Cyl. 16v DOHC EFI	5SFE	Alt. - w/ AC	5PK1105
					Alt. - w/o AC	5PK990
					PS	3PK760
CAMRY	1997-00	SXV25	2.2L 4 Cyl. 16v DOHC EFI	5SFE	Alt. - w/ AC	5PK1105
					Alt. - w/o AC	5PK990
					PS	3PK760
CAMRY	1992-96	VCV10	3.0L V6 24v DOHC EFI	3VZFE	Alt. & AC	6PK1050
					Alt. - w/o AC	6PK940
					PS	4PK810
CAMRY	1992-96	VCV15	3.0L V6 24v DOHC EFI	3VZFE	Alt. & AC	6PK1050
					Alt. - w/o AC	6PK940
					PS	4PK810
CAMRY	1992-97	VDV10	3.0L V6 24v DOHC EFI	3VZFE	Alt. & AC	6PK1050
					Alt. - w/o AC	6PK940
					PS	4PK810

Model	Year	Variant	Engine	Engine Code	Description	Part Number
TOYOTA CONTINUED						
CAMRY	1988-92	VZV21	2.5L V6 24v DOHC EFI	2VZFE	Alt. - w/ AC	6PK1040
					Alt. - w/o AC	6PK940
					PS	3PK760
CARINA	1981-87	AA60	1.5L 4 Cyl. 8v SOHC Carb.	3A	Alt. & WP	11A0980
					AC	13A0890
					PS	13A0815
CARINA	1983-85	AA63	1.6L 4 Cyl. 16v DOHC EFI	4AGE	Alt. & WP	5PK820
					AC & PS	5PK1040
					AC	5PK805
					PS	5PK915
CARINA	1984-88	AT150	1.5L 4 Cyl. 8v SOHC Carb.	3AL	Alt. & WP	5PK965
					AC - Micro-V Belt	4PK850
					AC - V-Belt	13A0890
					PS	3PK635
CARINA	1984-88	AT151	1.6L 4 Cyl. 8v SOHC EFI	4AEL	Alt. & WP	5PK965
					AC - Micro-V Belt	4PK850
					AC - V-Belt	13A0890
					PS	3PK635
CARINA	1988-92	CT176	2.0L 4 Cyl. 8v SOHC Diesel	2C	Alt. - Sedan w/ Man. Trans.	13A0890
					Alt. - Sedan w/ Auto Trans	13A0850
					Alt. - Van	13A0955
					AC	5PK1220
					PS	5PK1105
CARINA	1981-87	SA60	1.8L 4 Cyl. 8v SOHC Carb.	1S	Alt. & Fan	3PK1145
					PS	3PK760
CARINA	1984-87	ST150	1.8L 4 Cyl. 8v SOHC SPFI	1SILU	Alt. & Fan	5PK990
					AC	5PK1105
					PS	3PK760
CARINA	1985-88	ST160	1.8L 4 Cyl. 8v SOHC EFI	1SELU	Alt. & Fan	5PK990
					AC	5PK1105
					PS	3PK760
CARINA	1988-92	ST170	1.8L 4 Cyl. 16v DOHC EFI	4SFE	Alt. - w/ Man Trans	5PK990
					Alt. - w/ Auto Trans	5PK1015
					Alt. & AC	5PK1120
					PS	3PK760
CELICA	1982-88	GA61	2.0L 6 Cyl. 24v DOHC EFI	1GGEU	Alt.	4PK1170
					AC	4PK865
					Fan & PS	3PK950
CELICA	1981-87	MA61	2.8L 6 Cyl. 24v DOHC EFI	5MGE	Alt. & Fan - Micro-V Belt	7PK920
					Alt. & Fan - V-Belt	13A1245
					AC	13A0990
					PS	13A1205
CELICA	1982-86	MA63	2.0L 4 Cyl. 12v SOHC Turbo EFI	MTE	Alt. & Fan	7PK920
					AC	13A0990
					PS	13A1205
CELICA	1975-77	RA23	2.0L 4 Cyl. 8v SOHC Carb.	18R	Alt. & Fan	11A0850
					AC	13A1180
					Air Pump	11A0785

* = NZ Vehicles Only

Model	Year	Variant	Engine	Engine Code	Description	Part Number
TOYOTA CONTINUED						
CELICA	1975-79	RA28	2.0L 4 Cyl. 8v SOHC Carb.	18R	Alt. & Fan	11A0850
					AC	13A1180
					Air Pump	11A0785
CELICA	1977-81	RA40	2.0L 4 Cyl. 8v SOHC Carb.	18R	Alt. & Fan	11A0850
					AC	13A1230
					Air Pump	11A0785
CELICA	1981-83	RA60	2.0L 4 Cyl. 8v SOHC Carb.	21R	Alt. & Fan	11A0890
					AC	13A1135
					Air Pump	13A0825
					PS	13A1150
CELICA	1981-85	RA61	2.0L 4 Cyl. 8v SOHC Carb.	21R	Alt. & Fan	11A0890
					AC	13A1135
					Air Pump	13A0825
					PS	13A1150
CELICA	1981-85	RA63	2.0L 4 Cyl. 8v SOHC Carb.	21R	Alt. & Fan	11A0890
					AC	13A1135
					Air Pump	13A0825
					PS	13A1150
CELICA	1984-86	RA65	2.4L 4 Cyl. 8v SOHC Carb.	22REC	Alt.	11A0875
					AC	13A0900
					PS	13A1125
CELICA	1981-86	SA60	1.8L 4 Cyl. 8v SOHC Carb.	IS	Alt. & Fan	3PK1145
					AC	4PK815
					PS	3PK760
CELICA	1983-85	SA63	2.0L 4 Cyl. 8v SOHC Carb.	2S	Alt.	3PK1150
					AC	4PK815
					PS	3PK760
CELICA	1985-90	ST160	1.8L 4 Cyl. 8v SOHC EFI	ISIL	Alt. & AC	5PK1105
					Alt. - w/o AC	5PK1015
					PS	3PK760
CELICA	1985-89	ST162	2.0L 4 Cyl. 16v DOHC EFI	3SGE	Alt. & AC	5PK1105
					Alt. - w/o AC	5PK1000
					PS	3PK760
CELICA	1985-90	ST162	2.0L 4 Cyl. 16v DOHC EFI	3SFE	Alt. & AC	5PK1105
					Alt. - w/o AC	5PK1000
					PS	3PK760
CELICA	1989-93	ST182	2.0L 4 Cyl. 16v DOHC EFI	3SFE	Alt. & AC	5PK1105
					Alt. - w/o AC	5PK1000
					PS	3PK760
CELICA	1985-94	ST183	2.0L 4 Cyl. 16v DOHC EFI	3SFE	Alt. & AC	5PK1105
					Alt. - w/o AC	5PK1000
					PS	3PK760
CELICA	1989-94	ST184	2.2L 4 Cyl. 16v DOHC EFI	5SFE	Alt. & AC	5PK1105
					Alt. - w/o AC	5PK990
					PS	3PK760
CELICA	1989-93	ST185	2.0L 4 Cyl. 16v DOHC Turbo EFI	3SGTE	Alt. & AC	5PK1105
					PS	3PK760
CELICA	1989-94	ST194	2.2L 4 Cyl. 16v DOHC EFI	5SFE	Alt. - w/o AC	5PK990
					Alt. & AC	5PK1105
					PS	3PK760

Model	Year	Variant	Engine	Engine Code	Description	Part Number
TOYOTA CONTINUED						
CELICA	1993-97	ST202	2.0L 4 Cyl. 16v DOHC EFI	3SGE	Alt. & AC	5PK1120
					Alt. - w/o AC	5PK1030
					PS	3PK760
CELICA	1993-99	ST204	2.2L 4 Cyl. 16v DOHC EFI	5SFE	Alt. & AC	5PK1105
					Alt. - w/o AC	5PK990
					PS	3PK760
CELICA	1994-99	ST205	2.0L 4 Cyl. 16v DOHC EFI	3SGE	Alt. & AC	5PK1120
					Alt. - w/o AC	5PK1030
					PS	3PK760
CELICA	1994-99	ST205	2.0L 4 Cyl. 16v DOHC EFI	3SGE	Alt. & AC	5PK1120
					Alt. - w/o AC	5PK1030
					PS	3PK760
CELICA	1993-99	ST214	2.2L 4 Cyl. 16v DOHC EFI	5SFE	Alt. & AC	5PK1105
					Alt. - w/o AC	5PK990
					PS	3PK760
CELICA	1971-76	TA22	1.6L 4 Cyl. 8v SOHC Carb.	2T	Alt. & Fan	11A0865
					AC	13A0940
CELICA	1977-83	TA47	1.8L 4 Cyl. 8v SOHC EFI	3TE	Alt. & Fan	11A0890
					AC	13A0965
					PS	13A1090
CELICA	1977-83	TA63	1.8L 4 Cyl. 8v SOHC EFI	3TE	Alt. & Fan	11A0890
					AC	13A0965
					PS	13A1090
CELICA	1999-05	ZZT230	1.8L 4 Cyl. 16v DOHC EFI	2ZZGE	Serp.	6PK1930
					Tensioner Pulley	38018
CELICA	1999-05	ZZT231	1.8L 4 Cyl. 16v DOHC EFI	2ZZGE	Serp.	6PK1930
					Tensioner Pulley	38018
CELSIOR	1989-94	UCF10	4.0L V8 32v DOHC EFI	1UZFE	Serp.	6PK2230
CELSIOR	1989-94	UCF11	4.0L V8 32v DOHC EFI	1UZFE	Serp.	6PK2230
CELSIOR	1994-98	UCF21	4.0L V8 32v DOHC EFI	1UZFE	Serp.	6PK2230
CHASER	1980-85	GX61	2.0L 6 Cyl. 24v DOHC EFI	1GGEU	Alt. & Fan	4PK1170
					AC	4PK865
					PS	3PK950
COASTER	1978-83	BB10	3.2L 4 Cyl. 8v OHV Diesel	2B	Alt.	15A1175
COASTER	1982-87	BB20	3.4L 4 Cyl. 8v OHV Diesel	3B	Alt. & Fan - w/ AC	11A1255
					Alt. & Fan - w/o AC	15A1205
					PS	13A0925
COASTER	1986-93	BB21	3.4L 4 Cyl. 8v OHV Diesel	13B	AC	11A1120
					PS	13A0915
COASTER	1993-99	BB40	3.4L 4 Cyl. 8v OHV Diesel	13B	AC	11A1120
					PS	13A0915
COASTER	1985-90	HB30	4.0L 6 Cyl. 12v OHV Diesel	2H	Alt. & Fan - w/ AC	11A1180
					Alt. & Fan - w/o AC	11A1155
					AC	11A1090
					PS	13A1030
COASTER	1990-93	HQB30	4.2L 6 Cyl. 12v SOHC Diesel	1HZ	Alt. - (2 Belts)	11A1005
					AC	11A1385
COASTER	1993-02	HQB50	4.2L 6 Cyl. 12v SOHC Diesel	1HZ	Alt. - (2 Belts)	11A1005
					AC	11A1385
COASTER	1979-82	RB11	2.2L 4 Cyl. 8v OHV Carb.	20R	Alt.	11A0890

* = NZ Vehicles Only

Model	Year	Variant	Engine	Engine Code	Description	Part Number
TOYOTA CONTINUED						
COASTER	1980-82	RB13	2.4L 4 Cyl. 8v SOHC Carb.	22R	Alt. & Fan	11A0890
					AC	11A0965
					PS	13A1105
COASTER	1982-87	RB20	2.4L 4 Cyl. 8v SOHC Carb.	22R	Alt. & Fan	11A0890
					AC	11A0965
					PS	13A1105
COROLLA	1991-00	AE100	1.5L 4 Cyl. 16v DOHC EFI	5AFE	Alt. & WP	5PK965
					AC	4PK850
					PS	3PK635
COROLLA	1991-00	AE101	1.6L 4 Cyl. 16v DOHC EFI	4AFE	Alt. & WP	5PK975
					AC	4PK875
					PS	3PK635
COROLLA	1991-99	AE101	1.6L 4 Cyl. 16v DOHC EFI	4AGE	Alt. & WP	5PK840
					AC	5PK1055
					PS	3PK635
COROLLA	1993-00	AE102	1.8L 4 Cyl. 16v DOHC EFI	7AFE	Alt. & WP	5PK975
					AC	4PK860
					PS	3PK635
COROLLA	1997-02	AE112	1.8L 4 Cyl. 16v DOHC EFI	7AFE	Alt.	5PK975
					AC	4PK860
					PS	3PK635
					Tensioner Pulley	38018
COROLLA	1983-85	AE71	1.6L 4 Cyl. 8v SOHC Carb.	4AC	Alt. & Fan - V-Belt	11A0990
					AC	11A1015
COROLLA	1984-88	AE80	1.3L 4 Cyl. 8v SOHC Carb.	2A	Alt. & WP	5PK975
					AC	13A0875
					PS	3PK0635
COROLLA	1983-88	AE82	1.6L 4 Cyl. 8v SOHC EFI	4AEL	Alt. & WP	5PK980
					AC	13A0875
					PS	3PK635
COROLLA	1985-89	AE82	1.6L 4 Cyl. 16v DOHC EFI	4AGE	Alt. & WP	5PK825
					AC & PS	5PK1060
					AC - w/o PS	13A0870
					PS - w/o AC	5PK915
COROLLA	1985-89	AE82	1.6L 4 Cyl. 8v SOHC Carb.	4AC	Alt. & Fan - V-Belt	11A0990
					AC	11A1015
COROLLA	1985-89	AE82	1.6L 4 Cyl. 8v SOHC Carb..	4ALC	Alt. & WP	5PK975
					AC	13A0875
					PS & WP	3PK635
COROLLA	1989-92	AE90	1.4L 4 Cyl. 16v DOHC Carb.	6AFC	Alt. & WP	5PK965
					AC	4PK865
					PS & WP	3PK635
COROLLA	1987-92	AE91	1.5L 4 Cyl. 16v DOHC EFI	5AFE	Alt. & WP - w/ Auto Trans	5PK980
					Alt. & WP - w/ Man. Trans	5PK965
					AC	4PK835
					PS	3PK635
COROLLA	1987-92	AE92	1.6L 4 Cyl. 16v DOHC EFI	4AGE	Alt. & WP	5PK0825
					AC & PS	5PK1040
					AC - w/o PS	5PK865
					PS - w/o AC	5PK915

Model	Year	Variant	Engine	Engine Code	Description	Part Number
TOYOTA CONTINUED						
COROLLA	1987-94	AE92	1.6L 4 Cyl. 16v DOHC Carb.	4AF	Alt. & WP	5PK965
					AC	4PK835
					PS	3PK635
COROLLA	1989-93	AE93	1.6L 4 Cyl. 16v DOHC EFI	4AGE	Alt. & WP	5PK825
					AC & PS	5PK1030
					PS - w/o AC	5PK925
COROLLA	1992-94	AE93	1.8L 4 Cyl. 16v DOHC EFI	7AFE	Alt. & WP	5PK975
					AC	4PK865
					PS	3PK635
COROLLA	1991-95	AE94	1.6L 4 Cyl. 16v DOHC EFI	4AFE	Alt. & WP	5PK825
					AC	4PK865
					PS	3PK635
COROLLA	1988-95	AE95	1.6L 4 Cyl. 16v DOHC EFI	4AFE	Alt. & WP	5PK965
					AC	4PK865
					PS	3PK635
COROLLA	1992-94	AE96	1.8L 4 Cyl. 16v DOHC EFI	7AFE	Alt. & WP	5PK825
					AC & PS	5PK1030
					AC	4PK855
					PS - w/o AC	5PK825
COROLLA	1991-93	CE104	2.0L 4 Cyl. 8v SOHC Diesel	2C	Alt.	13A0955
					AC & PS	5PK1205
					AC - w/o PS	5PK805
					PS - w/o AC	5PK1105
COROLLA	1991-98	CE106	2.0L 4 Cyl. 8v SOHC Diesel	2C	Alt.	13A0955
					AC & PS	5PK1205
					AC - w/o PS	5PK805
					PS - w/o AC	5PK1105
COROLLA	1991-98	CE108	2.0L 4 Cyl. 8v SOHC Diesel	2C	Alt.	13A0955
					AC & PS	5PK1205
					AC - w/o PS	5PK805
					PS - w/o AC	5PK1105
COROLLA	1991-96	CE109	2.0L 4 Cyl. 8v SOHC Diesel	2C	Alt.	13A0955
					AC & PS	5PK1205
					AC - w/o PS	5PK805
					PS - w/o AC	5PK1105
COROLLA	1982-88	CE71	1.8L 4 Cyl. 8v SOHC Diesel	1C	Alt.	13A0990
					AC	13A0840
					PS	5PK1120
COROLLA	1983-87	CE72	1.8L 4 Cyl. 8v SOHC Diesel	1C	Alt.	13A0990
					AC	13A0840
					PS	5PK1120
COROLLA	1983-87	CE80	1.8L 4 Cyl. 8v SOHC Diesel	1CL	Alt. - w/ Man. Trans	13A0840
					Alt. - w/ Auto Trans	13A0850
					AC	5PK1205
					PS	5PK1120
COROLLA	1987-91	CE90	1.8L 4 Cyl. 8v SOHC Diesel	1C11	Alt. - w/ Man. Trans	13A0840
					Alt. - w/ Auto Trans	13A0850
					AC & PS	5PK1195
					AC - w/o PS	5PK805
					PS - w/o AC	5PK1120

* = NZ Vehicles Only

Model	Year	Variant	Engine	Engine Code	Description	Part Number
TOYOTA CONTINUED						
COROLLA	1989-91	CE95	2.0L 4 Cyl. 8v SOHC Diesel	2C	Alt.	13A0955
					AC & PS	5PK1205
					AC - w/o PS	5PK805
					PS - w/o AC	5PK1105
COROLLA	1987-91	CE96	1.8L 4 Cyl. 8v SOHC Diesel	1C	Alt. - w/ Man. Trans	13A0840
					Alt. - w/ Auto Trans	13A0850
					AC & PS	5PK1195
					PS - w/o AC	5PK1120
					AC - w/o PS	5PK805
COROLLA	1992-97	EE100	1.3L 4 Cyl. 8v SOHC Carb.	2EL	Alt. & WP	4PK815
					PS - w/o AC	5PK915
COROLLA	1985-88	EE80	1.3L 4 Cyl. 8v SOHC Carb.	2E	Alt. & WP	4PK815
					AC & PS	4PK1120
					AC - w/o PS	4PK900
					PS - w/o AC	4PK915
COROLLA	1987-92	EE90	1.3L 4 Cyl. 8v SOHC Carb.	2E	Alt. & WP	4PK815
					AC & PS	5PK1055
					PS - w/o AC	5PK890
COROLLA	1987-93	EE96	1.3L 4 Cyl. 8v SOHC Carb.	2E	Alt. & WP	4PK815
					AC & PS	5PK1055
					PS - w/o AC	5PK890
COROLLA	1987-91	EE96V	1.3L 4 Cyl. 8v SOHC EFI	2EE	Alt. & WP	4PK815
					AC & PS	5PK1055
					PS - w/o AC	5PK890
COROLLA	1986-91	EE97	1.3L 4 Cyl. 8v SOHC EFI	2EE	Alt. & WP	4PK815
					AC & PS	5PK1055
					PS - w/o AC	5PK890
COROLLA	1987-91	EE98	1.5L 4 Cyl. 8v SOHC Carb.	3E	Alt. & WP	4PK815
					AC & PS	5PK1055
					PS - w/o AC	5PK890
COROLLA	1967-70	KE10	1.1L 4 Cyl. 8v OHV Carb.	K	Alt. & Fan	13A0815
COROLLA	1968-74	KE15	1.1L 4 Cyl. 8v OHV Carb.	K	Alt. & Fan	13A0815
COROLLA	1968-75	KE20	1.2L 4 Cyl. 8v OHV Carb.	3K	Alt. & Fan	13A0815
					AC	13A0975
					AC & Air Pump	13A1040
					Air Pump - w/o AC	13A0950
COROLLA	1970-77	KE25	1.2L 4 Cyl. 8v OHV Carb.	3K	Alt. & Fan	13A0815
					AC	13A0975
					AC & Air Pump	13A1040
					Air Pump - w/o AC	13A0950
COROLLA	1975-79	KE30	1.2L 4 Cyl. 8v OHV Carb.	3KC	Alt. & Fan	11A0850
					AC	13A0975
					AC & Air Pump	13A1040
					Air Pump - w/o AC	13A0950
COROLLA	1970-77	KE36	1.2L 4 Cyl. 8v OHV Carb.	3K	Alt. & Fan	11A0850
					AC	13A0975
					AC & Air Pump	13A1040
					Air Pump - w/o AC	13A0950
COROLLA	1974-78	KE38	1.3L 4 Cyl. 8v OHV Carb.	4K	Alt.	11A0875
					AC	13A0940

Model	Year	Variant	Engine	Engine Code	Description	Part Number
TOYOTA CONTINUED						
COROLLA	1970-78	KE50	1.2L 4 Cyl. 8v OHV Carb.	3KC	Alt. & Fan	11A0850
					AC	13A0975
					AC & Air Pump	13A1040
					Air Pump - w/o AC	13A0950
COROLLA	1978-81	KE55	1.3L 4 Cyl. 8v OHV Carb.	4KC	Alt.	11A0875
					AC	13A0940
COROLLA	1981-85	KE70	1.3L 4 Cyl. 8v OHV Carb.	4KC	Alt.	11A0890
					AC	13A0950
COROLLA	1981-87	KE72V	1.3L 4 Cyl. 8v OHV Carb.	4K	Alt. & Fan	11A0890
					AC	13A0950
COROLLA	1992-94	SECA (AE93)	1.8L 4 Cyl. 16v DOHC EFI	7AFE	Alt. & WP	5PK970
					AC	4PK860
					PS	3PK635
COROLLA	2003-06	SPORTIVO (ZZE123)	1.8L 4 Cyl. 16v DOHC EFI	2ZZGE	Serp.	6PK1875
COROLLA	2001-07	ZZE122	1.8L 4 Cyl. 16v DOHC EFI	1ZZFE	Serp. - w/ AC	6PK1810
					Serp. - w/o AC	6PK1550
					Tensioner	38286
					Tensioner Pulley	38018
COROLLA	2003-06	ZZE123	1.8L 4 Cyl. 16v DOHC EFI	2ZZGE	Serp.	6PK1875
CORONA	1982-87	AT140	1.5L 4 Cyl. 8v SOHC Carb.	3A	Alt. & Fan	11A0980
					AC	13A0890
					PS	11A1005
CORONA	1983-87	AT150	1.5L 4 Cyl. 8v SOHC Carb.	3AL	Alt. & Fan	5PK965
					AC	13A0890
					PS	3PK635
CORONA	1987-92	AT170	1.5L 4 Cyl. 16v DOHC Carb.	5AFS	Alt. & Fan - w/ Man. Trans.	5PK965
					Alt. & Fan - w/ Auto Trans.	5PK980
					AC- w/ Man. Trans.	4PK835
					AC- w/ Auto Trans.	4PK865
					PS	3PK635
CORONA	1988-92	AT175	1.6L 4 Cyl. 16v DOHC EFI	4AFE	Alt. & Fan - w/ Auto Trans.	5PK980
					Alt. & Fan - w/ Man. Trans.	5PK965
					AC	4PK865
					PS	3PK635
CORONA	1984-87	CT150	2.0L 4 Cyl. 8v SOHC Diesel	2C	Alt.	13A0840
					AC & PS	5PK1205
					AC - w/o PS	5PK805
					PS - w/o AC	5PK1120
CORONA	1988-92	CT170	2.0L 4 Cyl. 8v SOHC Diesel	2C	Alt.	13A0955
					AC & PS	5PK1205
					PS - w/o AC	5PK1105
CORONA	1988-92	CT176	2.0L 4 Cyl. 8v SOHC Diesel	2C	Alt.	13A0840
					AC	5PK805
CORONA	1983-88	GX61	2.0L 4 Cyl. 24v DOHC EFI	1GGEU	Alt. & Fan	4PK1170
					AC	4PK850
					Fan & PS	3PK950
CORONA	1988-91	GX81	2.0L 4 Cyl. 24v DOHC EFI	1GFE	Alt. & Fan	4PK1080
					AC	4PK925
					PS	3PK890

* = NZ Vehicles Only

Model	Year	Variant	Engine	Engine Code	Description	Part Number
TOYOTA CONTINUED						
CORONA	1974-76	RT102	1.8L 4 Cyl. 8v SOHC Carb.	16R	Alt. & Fan	11A0840
					AC	13A1220
CORONA	1974-79	RT104	2.0L 4 Cyl. 8v SOHC Carb.	18R	Alt. & Fan	11A0850
					AC.	13A1205
					Air Pump	11A0785
CORONA	1974-79	RT118	2.0L 4 Cyl. 8v SOHC Carb.	18R	Alt. & Fan	11A0850
					AC.	13A1205
					Air Pump	11A0785
CORONA	1979-82	RT132	2.0L 4 Cyl. 8v SOHC Carb.	18RC	Alt.	11A0850
					AC	13A1200
					Air Pump	11A0785
CORONA	1982-84	RT133	2.0L 4 Cyl. 8v SOHC Carb.	21RC	Alt.	11A0840
					AC - 11mm Belt T.W.	11A0990
					AC - 13mm Belt T.W.	13A1065
CORONA	1984-87	RT142	2.4L 4 Cyl. 8v SOHC EFI	22RE	Alt. & Fan	11A0890
					AC	13A0890
					PS	13A1145
CORONA	1967-70	RT40	1.5L 4 Cyl. 8v OHV Carb.	2R	Alt.	11A0865
					Alt. - Bosch	13A0890
					Alt. - Denso	11A0890
CORONA	1967-71	RT80	1.5L 4 Cyl. 8v OHV Carb.	2R	Alt.	11A0865
					Alt. - Bosch	13A0890
					Alt. - Denso	11A0890
CORONA	1970-74	RT81	1.6L 4 Cyl. 8v OHV Carb.	12R	Alt. & Fan - Bosch	13A0890
					Alt. & Fan - Lucas	11A0865
CORONA	1983-88	ST141	2.0L 4 Cyl. 8v SOHC Carb.	25C	Alt.	3PK1150
					AC	4PK815
					Air Pump	3PK635
					PS	3PK760
CORONA	1984-89	ST150	1.8L 4 Cyl. 8v SOHC Carb.	15	Alt. & AC	5PK1120
					Alt. - w/o AC	5PK990
					PS	3PK760
CORONA	1985-88	ST160	1.8L 4 Cyl. 8v SOHC Carb.	15	Alt. & AC	5PK1120
					Alt. - w/o AC	5PK990
					PS	3PK760
CORONA	1987-92	ST170	1.8L 4 Cyl. 16v DOHC Carb.	45F	Alt.	5PK1120
					AC	5PK1120
					PS	3PK760
CORONA	1987-92	ST171	2.0L 4 Cyl. 16v DOHC EFI	35FE	Alt. - w/ Man. Trans.	5PK990
					Alt. - w/ Auto Trans.	5PK1015
					AC	5PK1105
					PS	3PK760
CORONA	1989-93	ST180	1.8L 4 Cyl. 16v DOHC Carb.	45F	Alt.	5PK1120
					AC	5PK1120
					PS	3PK760
CORONA	1989-93	ST182	2.0L 4 Cyl. 16v DOHC EFI	35GE	Alt.	5PK1015
					AC	5PK1105
					PS	3PK760

Model	Year	Variant	Engine	Engine Code	Description	Part Number
TOYOTA CONTINUED						
CORONA	1989-93	ST183	2.0L 4 Cyl. 16v DOHC EFI	3SGE	Alt.	5PK1015
					AC	5PK1105
					PS	3PK760
CORONA	1988-92	ST191	2.0L 4 Cyl. 16v DOHC EFI	3SFE	Alt. - w/ Auto Trans.	5PK1015
					Alt. - w/ Man. Trans.	5PK990
					AC	5PK1105
					PS	3PK760
CORONA	1978-82	TT131	1.8L 4 Cyl. 8v OHV Carb.	13T	Alt. & Fan	11A0890
					AC	13A0965
					PS	13A1090
CORONA	1979-82	TT132	1.8L 4 Cyl. 8v SOHC EFI	3TE	Alt. & Fan	11A0890
					AC	13A0940
					PS	13A0865
CORONA	1980-83	TT133	1.6L 4 Cyl. 8v SOHC Carb.	2T	Alt. & Fan	11A0900
CORONA	1982-84	TT140	1.6L 4 Cyl. 8v SOHC Carb.	2T	Alt. & Fan	11A0900
CORONA	1984-85	TT142	1.8L 4 Cyl. 8v SOHC EFI	3TE	Alt. & Fan	11A0890
					AC	13A0940
					PS	13A0865
CORONA	1979-83	XT130	1.9L 4 Cyl. 8v OHV Carb.	1X STARFIRE	Alt. & Fan	11A0890
					AC - 11mm Belt T.W.	11A0990
					AC - 13mm Belt T.W.	13A1065
					Air Pump	13A0915
CRESSIDA	1980-85	GX60	2.0L 6 Cyl. 12v SOHC EFI	1GEU	Alt. & Fan	4PK1090
					AC	4PK850
					PS	13A1130
CRESSIDA	1984-88	GX71	2.0L 6 Cyl. 24v DOHC EFI	1GGEU	Alt. & Fan	4PK1170
					AC	4PK865
					PS	4PK960
CRESSIDA	1977-81	MX32	2.6L 6 Cyl. 12v SOHC Carb.	4M	Alt. & Fan - 10mm Belt T.W.	11A0900
					Alt. & Fan - 13mm Belt T.W.	13A0900
					AC	13A0900
					Air Pump & PS	13A1395
CRESSIDA	1977-81	MX36	2.6L 6 Cyl. 12v SOHC Carb.	4M	Alt. & Fan - 10mm Belt T.W.	11A0900
					Alt. & Fan - 13mm Belt T.W.	13A0900
					AC	13A0900
					Air Pump & PS	13A1395
CRESSIDA	1981-84	MX62	2.8L 6 Cyl. 12v SOHC EFI	5ME	Alt.	11A0925
					AC	13A0925
					Air Pump & PS	13A1395
CRESSIDA	1984-88	MX73	2.8L 6 Cyl. 12v SOHC EFI	5ME	Alt. & Fan	7PK920
					AC - 1984-85	13A0925
					AC - 1986-88	13A0990
					Air Pump & PS	13A1395
CRESSIDA	1984-88	MX73	2.8L 6 Cyl. 24v DOHC EFI	5MGE	Alt. & Fan	7PK920
					AC - 1984-85	13A0925
					AC - 1986-88	13A0990
					PS	13A1205

* = NZ Vehicles Only

Model	Year	Variant	Engine	Engine Code	Description	Part Number
TOYOTA CONTINUED						
CRESSIDA	1988-93	MX83	3.0L 6 Cyl. 24v DOHC EFI	7MGE	Alt. & Fan	5PK1295
					AC	4PK970
					PS	4PK865
CRESSIDA	1979-81	RX30	2.0L 4 Cyl. 8v SOHC Carb.	18R	Alt. & Fan	11A0840
CRESSIDA	1981-85	RX60	2.0L 4 Cyl. 8v SOHC Carb.	21R	Alt. & Fan	11A0890
CRESTA	1990-92	JZX81	2.5L 6 Cyl. 24v DOHC EFI	1JZGE	Serp.	6PK1940
CRESTA	1990-92	JZX81	2.5L 6 Cyl. 24v DOHC EFI	1JZGE	Serp.	6PK1940
CRESTA	1984-87	LX70	2.4L 4 Cyl. 8v SOHC Diesel	2L	Alt. & Fan	11A0980
					AC	13A1220
					PS	13A0825
CRESTA	1985-88	SX70	1.8L 4 Cyl. 8v SOHC Carb.	1S	Alt.	3PK1145
					AC - Micro-V Belt	4PK815
					AC - V-Belt	13A0890
					PS - Micro-V Belt	3PK760
					PS - V-Belt	13A1065
CROWN	1983-87	GS120	2.0L 6 Cyl. 12v SOHC EFI	1GE	Alt. & Fan	4PK1090
					AC	4PK865
					PS	13A1145
CROWN	1985-87	GS126	2.0L 6 Cyl. 12v SOHC EFI	1GE	Alt. & Fan	4PK1090
					AC	4PK850
					PS	13A0890
CROWN	1987-89	GS131	2.0L 6 Cyl. 12v SOHC EFI	1GFE	Alt. & Fan	4PK1195
					AC	4PK865
					PS	3PK835
CROWN	1991-95	JZS130	2.5L 6 Cyl. 24v DOHC EFI	1JZGE	Serp.	6PK1940
CROWN	1991-95	JZS145	3.0L 6 Cyl. 24v DOHC EFI	2JZGE	Serp.	6PK1940
CROWN	1979-83	MS110	2.0L 6 Cyl. 12v SOHC Turbo EFI	MTE	Alt. & Fan	7PK920
					AC	13A0965
					PS	13A1205
CROWN	1979-80	MS111	2.6L 6 Cyl. 12v SOHC Carb.	4M	Alt. & Fan	11A0925
					AC	13A0950
					Fan & PS	13A1395
					PS	13A1245
CROWN	1979-83	MS112	2.8L 6 Cyl. 12v SOHC EFI	5ME	Alt.	11A0925
					AC	13A0950
					Air Pump & PS	13A1395
CROWN	1983-85	MS123	2.8L 6 Cyl. 12v SOHC EFI	5ME	Alt.	7PK920
					AC	13A0950
					Air Pump & PS	13A1395
CROWN	1984-86	MS126	2.8L 6 Cyl. 24v DOHC EFI	5MGE	Alt.	7PK920
					AC	13A0950
					Fan & PS	13A1145
CROWN	1983-87	MS135	3.0L 6 Cyl. 24v DOHC EFI	6MGEU	Alt. & Fan	7PK920
					AC	13A0890
					PS	13A1195
CROWN	1971-75	MS65	2.6L 6 Cyl. 12v SOHC Carb.	4M	Alt. & Fan	13A0925
					AC	13A0965
					PS	13A1270

Model	Year	Variant	Engine	Engine Code	Description	Part Number
TOYOTA CONTINUED						
CROWN	1975-76	MS83	2.6L 6 Cyl. 12v SOHC Carb.	4M	Alt. & Fan	13A0900
					AC	13A0965
					Fan & PS	13A1395
					PS	13A1270
CROWN	1974-80	MS85	2.6L 6 Cyl. 12v SOHC Carb.	4M	Alt. & Fan	13A0900
					AC	13A0965
					Air Pump & PS	13A1175
					Fan & PS	13A1395
CROWN	1991-93	UZS141	4.0L V8 32v DOHC EFI	1UZFE	Serp.	6PK2275
DYNA	1985-95	100 (YH81)	1.8L 4 Cyl. 8v OHV Carb.	2Y	Alt.	5PK825
					AC	13A0875
					PS	13A1055
DYNA	1995-03	200 (BU100)	3.4L 4 Cyl. 8v OHV Diesel	13B	Alt. - (2 Belts)	11A1170
					AC	13A1475
DYNA	1995-99	200 (BU110)	3.4L 4 Cyl. 8v OHV Diesel	13B	Alt. - (2 Belts)	11A1170
					AC	13A1475
DYNA	1984-95	200 (BU60)	3.0L 4 Cyl. 8v OHV Diesel	B	Alt. & Fan	15A1205
					AC	13A0940
					PS	13A0875
DYNA	1985-93	200 (BU61)	3.0L 4 Cyl. 8v OHV Diesel	11B	Alt.	15A1195
					AC	13A1050
DYNA	1985-95	200 (BU65)	3.0L 4 Cyl. 8v OHV Diesel	11B	Alt.	15A1195
					AC	13A1050
DYNA	1984-95	200 (YU60)	2.0L 4 Cyl. 8v OHV Carb.	3YC	Alt. & Fan	4PK830
DYNA	1986-91	200 (YU62)	2.2L 4 Cyl. 8v OHV Carb.	4Y	Alt.	5PK825
					AC	13A0875
					PS	13A1055
DYNA	1984-88	300 (BU85)	3.4L 4 Cyl. 8v OHV Diesel	13B	Alt.	15A1245
					AC	13A1050
DYNA	1988-96	300 (BU88)	3.7L 4 Cyl. 8v OHV Diesel	14B	Alt.	13A1255
					AC	13A1050
DYNA	1984-88	400 (WU90)	4.0L 4 Cyl. 8v OHV Diesel	1W	Alt.	15A1320
					AC	13A1050
DYNA	1980-84	BU20	3.0L 4 Cyl. 8v OHV Diesel	B	Alt. & Fan	15A1205
					AC	13A0940
					PS	13A0875
DYNA	1979-83	BU32	3.0L 4 Cyl. 8v OHV Diesel	3B	Alt.	15A1205
DYNA	1983-84	BU36	3.0L 4 Cyl. 8v OHV Diesel	3B	Alt.	15A1205
DYNA	1985-88	BU85	4.0L 4 Cyl. 8v OHV Diesel	1W	Alt. & Fan	15A1325
					AC	13A0915
DYNA	1977-82	HU30	3.6L 6 Cyl. 12v OHV Diesel	H	Alt.	15A1080
					AC	13A1015
DYNA	1982-85	HU50	4.0L 6 Cyl. 12v OHV Diesel	2H	Alt. & Fan	15A1065
					AC	13A1410
					PS	15A0995
DYNA	1985-91	LH80	2.4L 4 Cyl. 8v SOHC Diesel	2L	Alt.	13A1050
					AC	13A1285
DYNA	1994-01	LY211	2.8L 4 Cyl. 8v SOHC Diesel	3L	Alt.	13A1055
					AC	13A1285
DYNA	1985-88	LY60	2.4L 4 Cyl. 8v SOHC Diesel	2L	Alt.	13A1050
					AC	13A1285

* = NZ Vehicles Only

Model	Year	Variant	Engine	Engine Code	Description	Part Number
TOYOTA CONTINUED						
DYNA	1988-95	LY61	2.8L 4 Cyl. 8v SOHC Diesel	3L	Alt.	13A1055
					AC	13A1285
DYNA	1969-77	RU10	2.0L 4 Cyl. 8v OHV Carb.	5R	Alt.	13A0925
					AC	13A1030
DYNA	1969-77	RU12	2.0L 4 Cyl. 8v OHV Carb.	5R	Alt.	13A0925
					AC	13A1030
DYNA	1979-84	RU15	2.0L 4 Cyl. 8v OHV Carb.	5R	Alt.	13A0925
					AC	13A1030
DYNA	1979-84	RU20	2.0L 4 Cyl. 8v OHV Carb.	5R	Alt. & VP	13A0925
					AC	13A1065
DYNA	1984-94	YU70	2.0L 4 Cyl. 8v OHV Carb.	3Y	Alt. & Fan	4PK830
DYNA	1995-01	YY100	1.8L 4 Cyl. 8v OHV Carb.	2Y	Alt.	5PK825
					AC	13A0875
					PS	13A1055
ECHO	1999-06	NCP10	1.3L 4 Cyl. 16v DOHC VVT EFI	2NZFE	Alt.	4PK920
					AC	4PK1180
					PS	3PK850
ECHO	1999-02	NCP12	1.5L 4 Cyl. 16v DOHC EFI	1NZFE	Alt.	4PK920
					AC	4PK1180
					PS	3PK850
ECHO	2001-05	NCP13	1.5L 4 Cyl. 16v DOHC EFI	1NZFE	Alt.	4PK920
					AC	4PK1180
					PS	3PK850
ESTIMA	1992-99	CXR10	2.2L 4 Cyl. 8v SOHC Turbo Diesel	3CT	Alt.	6PK730
					AC	4PK775
					PS	4PK810
ESTIMA	1991-97	CXR11	2.2L 4 Cyl. 8v SOHC Turbo Diesel	3CT	Alt.	6PK730
					AC	4PK775
					PS	4PK810
HIACE	1989-01	LH103	2.8L 4 Cyl. 8v SOHC Diesel	3L	Alt. (2 Belts)	13A1055
					AC	13A1250
					PS	13A0850
HIACE	1989-93	LH107	2.8L 4 Cyl. 8v SOHC Diesel	3L	Alt. (2 Belts)	13A1055
					AC	13A1250
					PS	13A0850
HIACE	1989-98	LH109	2.8L 4 Cyl. 8v SOHC Diesel	3L	Alt. (2 Belts)	13A1055
					AC	13A1250
					PS	13A0850
HIACE	1983-86	LH11	2.2L 4 Cyl. 8v SOHC Diesel	L	Alt. & Fan	13A0990
					AC	13A1370
HIACE	1989-00	LH113	2.8L 4 Cyl. 8v SOHC Diesel	3L	Alt.	13A1050
					Alt. & Fan	13A1040
					AC	13A1250
					PS	13A0850
HIACE	1990-94	LH117	2.8L 4 Cyl. 8v SOHC Diesel	3L	Alt.	13A1050
					Alt. & Fan	13A1040
					AC	13A1250
					PS	13A0850

Model	Year	Variant	Engine	Engine Code	Description	Part Number
TOYOTA CONTINUED						
HIACE	1989-98	LH119	2.8L 4 Cyl. 8v SOHC Diesel	3L	Alt.	13A1050
					Alt. & Fan	13A1040
					AC	13A1250
					PS	13A0850
HIACE	1989-01	LH125	2.8L 4 Cyl. 8v SOHC Diesel	3L	Alt.	13A1030
					AC	13A1250
					PS	13A0850
HIACE	1990-98	LH129	2.8L 4 Cyl. 8v SOHC Diesel	3L	Alt.	13A1030
					AC	13A1250
					PS	13A0850
HIACE	1998-05	LH162	3.0L 4 Cyl. 8v SOHC EFI	5L	Alt. & Fan - (2 Belts)	13A1055
					AC	13A1270
					PS	13A0850
HIACE	1998-04	LH168	3.0L 4 Cyl. 8v SOHC EFI	5L	Alt. & Fan - (2 Belts)	13A1055
					AC	13A1270
					PS	13A0850
HIACE	1998-07	LH172	3.0L 4 Cyl. 8v SOHC EFI	5L	Alt. & Fan - (2 Belts)	13A1055
					AC	13A1270
					PS	13A0850
HIACE	2000-05	LH177	3.0L 4 Cyl. 8v SOHC EFI	5L	Alt. & Fan - (2 Belts)	13A1055
					AC	13A1270
					PS	13A0850
HIACE	1998-04	LH178	3.0L 4 Cyl. 8v SOHC EFI	5L	Alt. & Fan - (2 Belts)	13A1055
					AC	13A1270
					PS	13A0850
HIACE	1998-02	LH182	3.0L 4 Cyl. 8v SOHC EFI	5L	Alt. & Fan - (2 Belts)	13A1055
					AC	13A1270
					PS	13A0850
HIACE	2000-07	LH184	3.0L 4 Cyl. 8v SOHC EFI	5L	Alt. & Fan - (2 Belts)	13A1055
					AC	13A1270
					PS	13A0850
HIACE	1998-03	LH188	3.0L 4 Cyl. 8v SOHC EFI	5L	Alt. & Fan - (2 Belts)	13A1055
					AC	13A1270
					PS	13A0850
HIACE	2000-05	LH194	3.0L 4 Cyl. 8v SOHC EFI	5L	Alt. & Fan - (2 Belts)	13A1055
					AC	13A1270
					PS	13A0850
HIACE	1980-86	LH20R	2.2L 4 Cyl. 8v SOHC Diesel	L	Alt. & Fan	13A0990
					AC	13A1370
HIACE	1984-87	LH24	2.2L 4 Cyl. 8v SOHC Diesel	L	Alt. & Fan	13A0990
					AC	13A1370
HIACE	1981-85	LH30	2.2L 4 Cyl. 8v SOHC Diesel	L	Alt. & Fan	13A0990
					AC	13A1370
HIACE	1984-89	LH51G	2.4L 4 Cyl. 8v SOHC Turbo Diesel	2LT	Alt. & Fan	11A0980
					AC	13A1345
					PS	13A0840

* = NZ Vehicles Only

Model	Year	Variant	Engine	Engine Code	Description	Part Number
TOYOTA CONTINUED						
HIACE	1984-89	LH51V	2.4L 4 Cyl. 8v SOHC Diesel	2L	Alt.	11A0980
					AC	13A1250
					PS	13A1370
HIACE	1984-90	LH61	2.4L 4 Cyl. 8v SOHC Diesel	2L	Alt.	11A0980
					AC	13A1250
					PS	13A1370
HIACE	1983-84	LH70	2.2L 4 Cyl. 8v SOHC Diesel	L	Alt. & Fan	13A0990
					AC	13A1370
HIACE	1984-89	LH71	2.4L 4 Cyl. 8v SOHC Diesel	2L	Alt.	11A0980
					AC	13A1250
					PS	13A1370
HIACE	1997-01	LXH43	3.0L 4 Cyl. 8v SOHC EFI	5L	Alt. & Fan - (2 Belts)	13A1055
					AC	13A1270
					PS	13A0850
HIACE	1997-01	LXH49	3.0L 4 Cyl. 8v SOHC EFI	5L	Alt. & Fan - (2 Belts)	13A1055
					AC	13A1270
					PS	13A0850
HIACE	1989-98	RCH101	2.4L 4 Cyl. 8v SOHC EFI	2RZE	Alt.	5PK865
					AC - Micro-V Belt	4PK885
					AC - V-Belt	13A1000
					PS	13A1125
HIACE	1995-03	RCH12	2.4L 4 Cyl. 8v SOHC EFI	2RZE	Alt.	5PK865
					AC	4PK885
					PS	13A1125
HIACE	1999-04	RCH22	2.4L 4 Cyl. 8v SOHC EFI	2RZE	Alt.	5PK865
					AC	4PK885
					PS	13A1125
HIACE	1971-85	RH11R	1.6L 4 Cyl. 8v OHV Carb.	12R	Alt. & Fan - 11mm Belt T.W.	11A0890
					Alt. & Fan - 13mm Belt T.W.	13A0890
					AC	13A1030
HIACE	1972-82	RH11V	1.6L 4 Cyl. 8v OHV Carb.	12R	Alt. & Fan - 11mm Belt T.W.	11A0890
					Alt. & Fan - 13mm Belt T.W.	13A0890
					AC	13A1030
HIACE	1972-77	RH16	1.6L 4 Cyl. 8v OHV Carb.	12R	Alt. & Fan - 11mm Belt T.W.	11A0890
					Alt. & Fan - 13mm Belt T.W.	13A0890
					AC	13A1030
HIACE	1977-83	RH20	1.6L 4 Cyl. 8v OHV Carb.	12R	Alt. & Fan - 11mm Belt T.W.	11A0890
					Alt. & Fan - 13mm Belt T.W.	13A0890
					AC	13A1205
HIACE	1980-83	RH22	2.0L 4 Cyl. 8v SOHC Carb.	18R	Alt. & Fan	11A0850
					AC	13A1195
					Air Pump	11A0785
HIACE	1979-83	RH32	2.0L 4 Cyl. 8v SOHC Carb.	18RC	Alt. & Fan	11A0850
					AC	13A1195
					Air Pump	11A0785

Model	Year	Variant	Engine	Engine Code	Description	Part Number
TOYOTA CONTINUED						
HIACE	1977-82	RH42	2.0L 4 Cyl. 8v SOHC Carb.	18RC	Alt. & Fan	11A0850
					AC	13A1195
					Air Pump	11A0785
HIACE	1992-05	RZH103	2.4L 4 Cyl. 8v SOHC EFI	2RZE	Alt.	5PK865
					AC - Micro-V Belt	4PK885
					AC - V-Belt	13A1000
					PS - Micro-V Belt	4PK1090
					PS - V-Belt	13A1125
HIACE	1998-05	RZH106	2.4L 4 Cyl. 8v SOHC EFI	2RZE	Alt.	5PK865
					AC - Micro-V Belt	4PK885
					AC - V-Belt	13A1000
					PS - Micro-V Belt	4PK1090
					PS - V-Belt	13A1125
HIACE	1989-99	RZH113	2.4L 4 Cyl. 8v SOHC Carb.	2RZ	Alt.	5PK885
					AC - Micro-V Belt	4PK885
					AC - V-Belt	13A1000
					PS	13A1125
HIACE	1998-05	RZH113	2.4L 4 Cyl. 8v SOHC EFI	2RZE	Alt.	5PK865
					AC - Micro-V Belt	4PK885
					AC - V-Belt	13A1000
					PS - Micro-V Belt	4PK1090
					PS - V-Belt	13A1125
HIACE	1989-99	RZH125	2.4L 4 Cyl. 8v SOHC EFI	2RZE	Alt.	5PK865
					AC	4PK885
					PS - Micro-V Belt	4PK1090
					PS - V-Belt	13A1125
HIACE	1998-05	RZH127	2.4L 4 Cyl. 8v SOHC EFI	2RZE	Alt.	5PK865
					AC	4PK885
					PS - Micro-V Belt	4PK1090
					PS - V-Belt	13A1125
HIACE	1983-89	YH50	1.8L 4 Cyl. 8v OHV Carb.	2Y	Alt. & Fan - 4 Rib Belt	4PK830
					Alt. & Fan - 5 Rib Belt	5PK865
					AC	13A0955
					PS	13A1040
HIACE	1983-89	YH51	2.0L 4 Cyl. 8v OHV Carb.	3Y	Alt. & Fan - 4 Rib Belt	4PK830
					Alt. & Fan - 5 Rib Belt	5PK865
					AC	13A0955
					PS	13A1065
HIACE	1985-89	YH53	2.2L 4 Cyl. 8v OHV Carb.	4Y	Alt. - 4 Rib Belt	4PK830
					Alt. - 5 Rib Belt	5PK850
					PS	13A1050
HIACE	1982-88	YH61	2.0L 4 Cyl. 8v OHV Carb.	3Y	Alt. & Fan - 4 Rib Belt	4PK830
					Alt. & Fan - 5 Rib Belt	5PK865
					AC	13A0955
					PS	13A1065
HIACE	1986-90	YH63	2.2L 4 Cyl. 8v OHV Carb.	4Y	Alt. - 4 Rib Belt	4PK830
					Alt. - 5 Rib Belt	5PK850
					PS	13A1050

* = NZ Vehicles Only

Model	Year	Variant	Engine	Engine Code	Description	Part Number
TOYOTA CONTINUED						
HIACE	1983-88	YH71	2.0L 4 Cyl. 8v OHV Carb.	3Y	Alt. & Fan - 4 Rib Belt	4PK830
					Alt. & Fan - 5 Rib Belt	5PK865
					AC	13A0955
					PS	13A1065
HIACE	1986-89	YH73	2.2L 4 Cyl. 8v OHV Carb.	4Y	Alt. - 4 Rib Belt	4PK830
					Alt. - 5 Rib Belt	5PK850
					PS	13A1050
HIACE	1984-88	YH80	1.6L 4 Cyl. 8v OHV Carb.	1Y	Alt. & Fan	11A0850
					Air Pump	11A0800
					AC	13A1205
HIACE	1987-95	YH81	1.8L 4 Cyl. 8v OHV Carb.	2Y	Alt. & Fan - 4 Rib Belt	4PK830
					Alt. & Fan - 5 Rib Belt	5PK865
					AC	13A0955
					PS	13A1040
HILUX	2005-08	GGN15R	4.0L V6 24v DOHC EFI	1GRFE	Serp.	7PK2119
HILUX	2005-08	GGN25R	4.0L V6 24v DOHC EFI	1GRFE	Serp.	7PK2119
HILUX	2005-08	GGN25R (SR5)	4.0L V6 24v DOHC EFI	1GRFE	Serp.	7PK2119
HILUX	1999-05	KZN165	3.0L 4 Cyl. 12v SOHC Turbo EFI	1KZTE	Alt. - (2 Belts)	13A1000
					AC	13A1180
HILUX	1995-00	KZN185	3.0L 4 Cyl. 12v SOHC Turbo EFI	1KZTE	Alt. - (2 Belts)	13A1000
					AC	13A1180
HILUX	1988-99	LN106	2.8L 4 Cyl. 8v SOHC Diesel	3L	Alt. & Fan - (2 Belts)	13A1055
					AC	13A1270
					PS	13A0825
					Idler Pulley	38036
HILUX	1991-98	LN107	2.8L 4 Cyl. 8v SOHC Diesel	3L	Alt. & Fan - (2 Belts)	13A1055
					AC	13A1270
					PS	13A0825
					Idler Pulley	38036
HILUX	1988-97	LN111	2.8L 4 Cyl. 8v SOHC Diesel	3L	Alt. & Fan - (2 Belts)	13A1055
					AC	13A1270
					PS	13A0825
					Idler Pulley	38036
HILUX	1997-05	LN147	3.0L 4 Cyl. 8v SOHC EFI Diesel	5L	Alt. - (2 Belts)	13A1055
					AC	13A1270
					PS	13A0825
HILUX	1996-05	LN167	3.0L 4 Cyl. 8v SOHC EFI Diesel	5L	Alt. - (2 Belts)	13A1055
					AC	13A1270
					PS	13A0825
HILUX	1997-05	LN172	3.0L 4 Cyl. 8v SOHC EFI Diesel	5L	Alt. - (2 Belts)	13A1055
					AC	13A1270
					PS	13A0825
HILUX	1980-86	LN40	2.2L 4 Cyl. 8v SOHC Diesel	L	Alt. & Fan - to 7/82	13A0990
					Alt. & Fan - From 7/82	13A1005
					Alt. - (2 Belts - where fitted)	11A0980
					AC	13A1250

Model	Year	Variant	Engine	Engine Code	Description	Part Number
TOYOTA CONTINUED						
HILUX	1985-89	LN41	2.4L 4 Cyl. 8v SOHC Diesel	2L	Alt. & Fan - Micro-V Belt	5PK865
					Alt. & Fan - V-Belt	11A0980
					PS	13A0865
HILUX	1980-86	LN46	2.2L 4 Cyl. 8v SOHC Diesel	L	Alt. & Fan - to 7/82	13A0990
					Alt. & Fan - From 7/82	13A1005
					Alt. - (2 Belts - where fitted)	11A0980
					AC	13A1250
HILUX	1983-90	LN55	2.2L 4 Cyl. 8v SOHC Diesel	L	Alt. & Fan - to 7/82	13A0990
					Alt. & Fan - From 7/82	13A1005
					Alt. - (2 Belts - where fitted)	11A0980
					AC	13A1250
HILUX	1983-90	LN56	2.4L 4 Cyl. 8v SOHC Diesel	2L	Alt. & Fan	5PK865
					AC	13A1255
					PS	13A0865
HILUX	1984-89	LN60	2.4L 4 Cyl. 8v SOHC Diesel	2L	Alt. & Fan	11A0980
					AC	13A1255
					PS	13A0865
HILUX	1983-90	LN65	2.4L 4 Cyl. 8v SOHC Diesel	2L	Alt. & Fan	11A0980
					AC	13A1255
					PS	13A0865
HILUX	1988-94	LN80	2.4L 4 Cyl. 8v SOHC Diesel	2L	Alt. & Fan - 985mm Belt	11A0985
					Alt. & Fan - 1030mm Belt	13A1030
					Alt. & Fan - 1055mm Belt	13A1055
					AC	13A1270
					PS	13A0825
HILUX	1987-98	LN85	2.4L 4 Cyl. 8v SOHC Diesel	2L	Alt. & Fan - 985mm Belt	11A0985
					Alt. & Fan - 1030mm Belt	13A1030
					Alt. & Fan - 1055mm Belt	13A1055
					AC	13A1270
					PS	13A0825
HILUX	1991-97	LN86	2.8L 4 Cyl. 8v SOHC Diesel	3L	Alt. & Fan - (2 Belts)	13A1055
					AC	13A1270
					PS	13A0825
					Idler Pulley	38036
HILUX	1990-93	RN105	2.4L 4 Cyl. 8v SOHC Carb.	22R	Alt. & Fan	11A0875
					AC	13A0870
					PS	13A1125
HILUX	1994-98	RN106	2.4L 4 Cyl. 8v SOHC Carb.	22R	Alt. & Fan	11A0875
					AC	13A0870
					PS	13A1125
HILUX	1988-95	RN110	2.4L 4 Cyl. 8v SOHC Carb.	22R	Alt. & Fan	11A0875
					AC	13A0870
					PS	13A1125
HILUX	1972-78	RN20	1.6L 4 Cyl. 8v OHV Carb.	12R	Alt. & Fan	13A0890
					AC	13A1255
					Air Pump	11A0760

* = NZ Vehicles Only

Model	Year	Variant	Engine	Engine Code	Description	Part Number
TOYOTA CONTINUED						
HILUX	1975-78	RN25	1.6L 4 Cyl. 8v OHV Carb.	12R	Alt. & Fan	13A0890
					AC	13A1255
					Air Pump	11A0760
HILUX	1978-88	RN30	1.6L 4 Cyl. 8v OHV Carb.	12R	Alt. & Fan	13A0890
					AC	13A1255
HILUX	1979-83	RN36	2.0L 4 Cyl. 8v SOHC Carb.	18RC	Alt. & Fan	11A0850
					Air Pump	11A0785
					AC	13A1205
HILUX	1978-84	RN40	1.6L 4 Cyl. 8v OHV Carb.	12R	Alt. & Fan	13A0890
					Air Pump	11A0760
HILUX	1978-83	RN41	2.0L 4 Cyl. 8v SOHC Carb.	18RC	Alt. & Fan	11A0850
					AC	13A1230
					Air Pump	11A0785
HILUX	1979-85	RN46	2.0L 4 Cyl. 8v SOHC Carb.	18R	Alt. & Fan	11A0850
					AC	13A1205
					Air Pump	11A0785
HILUX	1988-98	RN85	2.4L 4 Cyl. 8v SOHC Carb.	22R	Alt. & Fan	11A0875
					AC	13A0870
					PS	13A1125
HILUX	1988-97	RN90	2.4L 4 Cyl. 8v SOHC Carb.	22R	Alt. & Fan	11A0875
					AC	13A0870
					PS	13A1125
HILUX	1997-02	RZN147	2.0L 4 Cyl. 8v SOHC EFI	1RZE	Alt. & Fan	5PK865
					AC	13A1135
					PS	13A1145
HILUX	1997-05	RZN149	2.7L 4 Cyl. 16v DOHC EFI	3RZFE	Alt.	5PK865
					AC - 915mm Belt	4PK915
					AC - 940mm Belt	4PK940
					PS	4PK1100
HILUX	1997-05	RZN154	2.7L 4 Cyl. 16v DOHC EFI	3RZFE	Alt.	5PK865
					AC	4PK915
					PS	4PK1100
HILUX	1997-02	RZN169	2.7L 4 Cyl. 16v DOHC EFI	3RZFE	Alt.	5PK865
					AC - 915mm Belt	4PK915
					AC - 940mm Belt	4PK940
					PS	4PK1100
HILUX	1997-02	RZN174	2.7L 4 Cyl. 16v DOHC EFI	3RZFE	Alt.	5PK865
					AC	4PK915
					PS	4PK1100
HILUX	1993-96	SURF (KZN130)	3.0L 4 Cyl. 12v SOHC Turbo EFI	1KZTE	Alt.	13A1005
					AC	13A1180
HILUX	1987-93	SURF (LN130)	2.4L 4 Cyl. 8v SOHC Turbo EFI	2LTE	Alt. - (2 Belts)	13A1055
					AC	13A1270
					PS	13A825
HILUX	1990-96	VZN130	3.0L V6 12v SOHC EFI	3ZVE	Alt. & Fan	4PK1195
					AC	13A0900
					Fan & PS	13A1220
HILUX	2002-05	VZN167	3.4L V6 24v DOHC EFI	5VZFE	Alt.	4PK1050
					AC	4PK875
					PS	4PK1065

Model	Year	Variant	Engine	Engine Code	Description	Part Number
TOYOTA CONTINUED						
HILUX	1983-88	YN51	1.8L 4 Cyl. 8v OHV Carb.	2Y	Alt. - Micro-V Belt	4PK830
					Alt. - V-Belt	13A0800
					AC	13A0870
					PS	15A1040
HILUX	1983-88	YN55	1.6L 4 Cyl. 8v OHV Carb.	1Y	Alt. & Fan - Micro-V Belt	4PK830
					Alt. & Fan - V-Belt	13A0800
					AC	13A0870
					PS - Micro-V Belt	4PK865
					PS - V-Belt	15A1040
HILUX	1984-88	YN56	1.8L 4 Cyl. 8v OHV Carb.	2Y	Alt. - Micro-V Belt	4PK830
					Alt. - V-Belt	13A0800
					AC	13A0870
					PS	15A1040
HILUX	1983-88	YN57	2.0L 4 Cyl. 8v OHV Carb.	3Y	Alt. & Fan	4PK830
					AC	13A0875
					PS	13A1055
HILUX	1987-88	YN58	2.2L 4 Cyl. 8v OHV Carb.	4Y	Alt. & Fan - Micro-V Belt	4PK830
					Alt. & Fan - V-Belt	13A0815
					AC	13A0875
					PS - Micro-V Belt	4PK865
					PS - V-Belt	13A1055
HILUX	1983-88	YN65	2.0L 4 Cyl. 8v OHV Carb.	3Y	Alt. & Fan	4PK830
					AC	13A0875
					PS	13A1055
HILUX	1983-88	YN67	2.2L 4 Cyl. 8v OHV Carb.	4Y	Alt. & Fan - Micro-V Belt	4PK830
					Alt. & Fan - V-Belt	13A0815
					AC	13A0875
					PS - Micro-V Belt	4PK865
					PS - V-Belt	13A1055
HILUX	1988-95	YN80	1.8L 4 Cyl. 8v OHV Carb.	2Y	Alt.	4PK830
					AC	13A0870
					PS	15A1040
HILUX	1988-97	YN85	1.8L 4 Cyl. 8v OHV Carb.	2Y	Alt.	4PK830
					AC	13A0870
					PS	15A1040
KLUGER	2003-07	MCU28	3.3L V6 24v DOHC EFI	3MZ	Alt.	6PK1040
					PS	4PK880
LANDCRUISER	1974-85	BJ40	3.0L 4 Cyl. 8v OHV Diesel	B	Alt. & Fan	15A1205
					AC	13A1040
LANDCRUISER	1974-84	BJ41	3.0L 4 Cyl. 8v OHV Diesel	2B	Alt. & Fan	15A1170
					AC	13A1040
LANDCRUISER	1980-85	BJ42	3.4L 4 Cyl. 8v OHV Diesel	3B	Alt. & Fan	15A1205
					AC	13A1065
					PS	15A1500
LANDCRUISER	1981-85	BJ60	3.4L 4 Cyl. 8v OHV Diesel	3B	Alt. & Fan	15A1205
					AC	13A1065
					PS	15A1500
LANDCRUISER	1984-90	BJ70	3.4L 4 Cyl. 8v OHV Diesel	3B	Alt. & Fan	15A1105
					AC	13A1040
					PS	15A1500

* = NZ Vehicles Only

Model	Year	Variant	Engine	Engine Code	Description	Part Number
TOYOTA CONTINUED						
LANDCRUISER	1985-89	BJ71	3.4L 4 Cyl. 8v OHV Turbo Diesel	13BT	Alt. & Fan	15A1105
					AC	13A1040
LANDCRUISER	1984-90	BJ73	3.4L 4 Cyl. 8v OHV Diesel	3B	Alt. & Fan	15A1105
					AC	13A1040
					PS	15A1500
LANDCRUISER	1985-89	BJ74	3.4L 4 Cyl. 8v OHV Turbo Diesel	13BT	Alt. & Fan	15A1105
					AC	13A1040
LANDCRUISER	1985-90	BJ75	3.4L 4 Cyl. 8v OHV Diesel	3B	Alt. & Fan	15A1205
					AC	13A1065
					PS	15A1500
LANDCRUISER	1970-84	FJ40	4.2L 6 Cyl. 12v OHV Carb.	2F	Alt. - w/ PS	15A1255
					Alt. - w/o PS	15A1080
					AC	13A1270
					Fan & Air Pump	15A1105
LANDCRUISER	1972-84	FJ40	3.9L 6 Cyl. 12v OHV Carb.	F	Alt. & Fan	15A1055
					Fan & Air Pump	11A1255
LANDCRUISER	1968-75	FJ45	3.9L 6 Cyl. 12v OHV Carb.	F	Alt. & Fan	15A1055
					Fan & Air Pump - (1968-72)	11A1105
					Fan & Air Pump - (1973-75)	11A1255
LANDCRUISER	1975-80	FJ45	4.2L 6 Cyl. 12v OHV Carb.	2F	Alt. & PS	15A1385
					Alt. - w/o PS	15A1255
					AC	13A1270
					Fan & Air Pump	15A1105
					PS	15A1575
LANDCRUISER	1972-80	FJ55	3.9L 6 Cyl. 12v OHV Carb.	F	Alt. & Fan	15A1055
					Fan & Air Pump - (1972)	11A1105
					Fan & Air Pump - (1973-80)	11A1255
LANDCRUISER	1972-80	FJ55	4.2L 6 Cyl. 12v OHV Carb.	2F	Alt. - w/ PS	15A1590
					Alt. - w/o PS	15A1255
					AC	13A1270
					Fan & Air Pump	15A1105
LANDCRUISER	1980-88	FJ60	4.2L 6 Cyl. 12v OHV Carb.	2F	Alt. - w/ PS	15A1385
					Alt. - w/o PS	15A1080
					AC	15A1270
					Air Pump	15A1130
LANDCRUISER	1984-90	FJ62	4.0L 6 Cyl. 12v OHV Carb.	3F	Alt. & Air Pump - w/ PS	15A1665
					Alt. & Fan	15A1030
					AC	13A1180
					PS	15A1340
LANDCRUISER	1985-91	FJ70	4.0L 6 Cyl. 12v OHV Carb.	3F	Alt. & Air Pump - w/ PS	15A1665
					Alt. & Fan	15A1030
					AC	13A1180
					PS	15A1340
LANDCRUISER	1985-91	FJ73	4.0L 6 Cyl. 12v OHV Carb.	3F	Alt. & Air Pump - w/ PS	15A1665
					Alt. & Fan	15A1030
					AC	13A1180
					PS	15A1340

Model	Year	Variant	Engine	Engine Code	Description	Part Number
TOYOTA CONTINUED						
LANDCRUISER	1985-93	FJ75	4.0L 6 Cyl. 12v OHV Carb.	3F	Alt. & Air Pump - w/ PS	15A1665
					Alt. & Fan	15A1030
					AC	13A1180
					PS	15A1340
LANDCRUISER	1990-92	FJ80	4.0L 6 Cyl. 12v SOHC EFI	3FE	Alt. & Air Pump - w/ PS	15A1665
					Alt. & Fan	15A1015
					AC	13A1195
					PS	15A1340
LANDCRUISER	1990-92	FJ81	4.0L 6 Cyl. 12v OHV Carb.	3F	Alt. & Air Pump - w/ PS	15A1665
					Alt. & Fan	15A1015
					AC	13A1125
					PS	15A1340
					Idler Pulley	38036
LANDCRUISER	1998-02	FZJ105	4.5L 6 Cyl. 24v DOHC EFI	1FZFE	Alt. & WP - w/ PS - (2 Belts)	11A1130
					AC	13A0925
LANDCRUISER	1992-99	FZJ75	4.5L 6 Cyl. 24v DOHC EFI	1FZFE	Alt. & WP - w/ PS - (2 Belts)	11A1130
					AC	13A0925
LANDCRUISER	1999-01	FZJ78	4.5L 6 Cyl. 24v DOHC EFI	1FZFE	Alt. & WP - w/ PS - (2 Belts)	11A1130
					AC	13A0925
LANDCRUISER	1999-05	FZJ79	4.5L 6 Cyl. 24v DOHC EFI	1FZFE	Alt. & Fan	11A1130
					AC	13A0915
LANDCRUISER	1990-03	FZJ80	4.5L 6 Cyl. 24v DOHC EFI	1FZFE	Alt. & Fan	11A1130
					AC	13A0915
LANDCRUISER	2001-07	HDH79	4.2L 6 Cyl. 24v SOHC Turbo Diesel	1HDFTE	Alt. & Fan - (2 Belts)	11A1005
					AC	4PK1245
LANDCRUISER	2001-06	HDJ78	4.2L 6 Cyl. 24v SOHC Turbo Diesel	1HDFTE	Alt. & Fan - (2 Belts)	11A1005
					AC	4PK1245
LANDCRUISER	1990-96	HDJ80	4.2L 6 Cyl. 12v SOHC Turbo Diesel	1HDT	Alt. & Fan - (2 Belts)	11A1005
					AC	13A1270
LANDCRUISER	1995-98	HDJ80	4.2L 6 Cyl. 24v SOHC Turbo Diesel	1HDFT	Alt. & Fan - (2 Belts)	11A1005
					AC	13A1270
LANDCRUISER	1990-98	HDJ81	4.2L 6 Cyl. 12v SOHC Turbo Diesel	1HDT	Alt. & Fan - (2 Belts)	11A1005
					AC	13A1270
LANDCRUISER	1998-07	HDJ100	4.2L 6 Cyl. 24v SOHC Turbo Diesel	1HDFTE	Alt. & Fan - (2 Belts)	11A1005
					AC	4PK1245
LANDCRUISER	1998-07	HDJ100	4.2L 6 Cyl. 24v SOHC Turbo EFI	IHDFTE	Alt. & Fan - (2 Belts)	11A1005
					AC - w/o XTR HTR	4PK1240
LANDCRUISER	1972-80	HJ45	3.6L 6 Cyl. 12v OHV Diesel	H	Alt. & Fan	15A1130
LANDCRUISER	1980-86	HJ47	4.0L 6 Cyl. 12v OHV Diesel	2H	Alt.	15A1055
					AC	13A1410
					PS	15A0875
LANDCRUISER	1980-90	HJ60	4.0L 6 Cyl. 12v OHV Diesel	2H	Alt. & Fan - to 7/82	15A1080
					Alt. & Fan - 2/1982-On	15A1060
					AC - 11/1984 to 10/1985	13A1375
					AC - 10/1985-On	13A1400
					PS	15A0865

* = NZ Vehicles Only

Model	Year	Variant	Engine	Engine Code	Description	Part Number
TOYOTA CONTINUED						
LANDCRUISER	1984-90	HJ61	4.0L 6 Cyl. 12v OHV Turbo Diesel	12HT	Alt. & Fan	15A1055
					AC - to 10/1984	13A1410
					AC - 11/1984 to 10/1985	13A1370
					AC - 10/1985-On	13A1400
					PS	15A0890
LANDCRUISER	1985-92	HJ75	4.0L 6 Cyl. 12v OHV Diesel	2H	Alt. & Fan	15A1060
					AC	13A1400
					PS	15A0865
LANDCRUISER	1990-92	HZJ70	4.2L 6 Cyl. 12v SOHC Diesel	1HZ	Alt. & Fan - (2 Belts)	11A1055
					AC	13A1270
LANDCRUISER	1999-01	HZJ73	4.2L 6 Cyl. 12v SOHC Diesel	1HZ	Alt. & Fan - (2 Belts)	11A1055
					AC	13A1270
LANDCRUISER	1990-00	HZJ75	4.2L 6 Cyl. 12v SOHC Diesel	1HZ	Alt. & Fan - (2 Belts)	11A1005
					AC	13A1270
LANDCRUISER	1999-06	HZJ78	4.2L 6 Cyl. 12v SOHC Diesel	1HZ	Alt. & Fan - (2 Belts)	11A1005
					AC	13A1270
LANDCRUISER	1999-06	HZJ79	4.2L 6 Cyl. 12v SOHC Diesel	1HZ	Alt. & Fan - (2 Belts)	11A1005
					AC	13A1270
LANDCRUISER	1990-99	HZJ80	4.2L 6 Cyl. 12v SOHC Diesel	1HZ	Alt. & Fan - (2 Belts)	11A1005
					AC	13A1270
LANDCRUISER	1999-07	HZJ105	4.2L 6 Cyl. 12v SOHC Diesel	1HZ	Alt. & Fan - (2 Belts)	11A1005
					AC	13A1310
LANDCRUISER	1993-96	KZJ71	3.0L 4 Cyl. 12v SOHC Turbo Diesel EFI	1KZT	Alt. & Fan - (2 Belts)	13A1005
					AC	13A1170
LANDCRUISER	1993-96	KZJ78	3.0L 4 Cyl. 12v SOHC Turbo Diesel EFI	1KZT	Alt. & Fan - (2 Belts)	13A1005
					AC	13A1170
LANDCRUISER	1985-95	LJ71	2.4L 4 Cyl. 8v SOHC Turbo Diesel	2LT	Alt. & Fan	11A0980
					PS	13A0865
LANDCRUISER	1990-93	PZJ70	3.5L 5 Cyl. 10v SOHC Diesel	1PZ	Alt. & Fan	15A1205
LANDCRUISER	1990-91	PZJ73	3.5L 5 Cyl. 10v SOHC Diesel	1PZ	Alt. & Fan	15A1205
LANDCRUISER	1985-91	RJ70	2.4L 4 Cyl. 8v SOHC Carb.	22R	Alt. & Fan	11A0890
					PS	13A1105
LANDCRUISER	1998-07	UZJ100	4.7L V8 32v DOHC EFI	2UZFE	Serp. - w/ AC	6PK2250
					Serp. - w/o AC	6PK2200
					Tensioner	38173
LANDCRUISER	1996-02	VZJ90	3.4L V6 24v DOHC EFI	5VZFE	Alt.	4PK1050
					AC	4PK875
					PS	4PK1065
LANDCRUISER	2002-07	PRADO (GRJ120)	4.0L V6 24v DOHC EFI	1GRFE	Serp.	7PK2119
					Idler	36173
					Idler	36174
LANDCRUISER	2002-07	PRADO (KZJ120)	3.0L 4 Cyl. 12v SOHC Turbo Diesel EFI	1KZTE	Alt. - (2 Belts)	13A1000
					AC	13A1195
LANDCRUISER	1996-05	PRADO (KZJ95)	3.0L 4 Cyl. 12v SOHC Turbo Diesel EFI	1KZTE	Alt. - (2 Belts)	13A1000
					AC	13A1195

Model	Year	Variant	Engine	Engine Code	Description	Part Number
TOYOTA CONTINUED						
LANDCRUISER	2002-04	PRADO (RZJ120)	2.7L 4 Cyl. 16v DOHC EFI	3RZFE	Alt.	5PK865
					AC	4PK915
					PS	5PK1105
LANDCRUISER	1997-98	PRADO (RZJ90)	2.7L 4 Cyl. 16v DOHC EFI	3RZFE	Alt.	5PK865
					AC	4PK875
					PS	5PK1105
LANDCRUISER	1996-02	PRADO (RZJ95)	2.7L 4 Cyl. 16v DOHC EFI	3RZFE	Alt.	5PK865
					AC	4PK875
					PS	5PK1105
LANDCRUISER	2000-03	PRADO (VJZ95)	3.4L V6 24v DOHC EFI	5VZFE	Alt.	4PK1050
					AC	4PK875
					PS	4PK1065
LANDCRUISER	2000-03	PRADO (VJZ99)	3.4L V6 24v DOHC EFI	5VZFE	Alt.	4PK1050
					AC	4PK875
					PS	4PK1065
LEXCEN	1989-92	VN	3.8L V6 12v OHV EFI	3.8 Ecotec	Serp. - w/ AC	6PK2370
					Serp. - w/o AC	6PK1650
LEXCEN	1991-93	VP	3.8L V6 12v OHV EFI	3.8 Ecotec	Serp. - w/ AC	6PK2370
					Serp. - w/o AC	6PK1650
LEXCEN	1993-95	VR	3.8L V6 12v OHV EFI	3.8 Ecotec	Serp. - w/ AC	6PK2370
					Serp. - w/o AC	6PK1650
LEXCEN	1995-97	VS (T4)	3.8L V6 12v OHV EFI	3.8 Ecotec	Serp. - w/ AC	6PK2720
					Serp. - w/o AC	6PK2230
LEXCEN	1995-97	VS (T5)	3.8L V6 12v OHV EFI	3.8 Ecotec	Serp. - w/ AC	6PK2720
					Serp. - w/o AC	6PK2230
LITEACE	1983-89	CM20	1.8L 4 Cyl. 8v SOHC Diesel	1C	Alt.	5PK900
LITEACE	1983-90	CM35	1.8L 4 Cyl. 8v SOHC Diesel	1C	Alt.	5PK900
LITEACE	1985-92	CM36	2.0L 4 Cyl. 8v SOHC Diesel	2C	Alt. & Fan	5PK825
LITEACE	1980-85	KM20	1.3L 4 Cyl. 8v OHV Carb.	4K	Alt. & Fan	11A0865
					AC	13A0940
					Air Pump	13A0940
					PS	11A0875
LITEACE	1985-91	KM36	1.5L 4 Cyl. 8v OHV Carb.	5K	Alt. & Fan - 11mm Belt T.W.	11A0875
					Alt. & Fan - 13mm Belt T.W.	13A0940
LITEACE	1983-86	YM21	1.8L 4 Cyl. 8v OHV Carb.	2Y	Alt	4PK830
					AC	13A0875
LITEACE	1985-92	YM30	1.8L 4 Cyl. 8v OHV Carb.	2Y	Alt	4PK830
					AC	13A0875
LITEACE	1985-92	YM35	1.8L 4 Cyl. 8v OHV Carb.	2Y	Alt	4PK830
					AC	13A0875
LITEACE	1986-91	YM40	2.0L 4 Cyl. 8v OHV Carb.	3YC	Alt.	4PK830
					AC	11A0915
					PS	13A1055
LITEACE	1986-88	YM41	2.0L 4 Cyl. 8v OHV Carb.	3YC	Alt.	4PK830
					AC	11A0915
					PS	13A1055
MASTER ACE	1982-91	YR20	1.8L 4 Cyl. 8v OHV Carb.	2Y	Alt. & Fan	4PK825
					AC	13A0890
					PS	13A1040

* = NZ Vehicles Only

Model	Year	Variant	Engine	Engine Code	Description	Part Number
TOYOTA CONTINUED						
MASTER ACE	1984-92	YR21	2.0L 4 Cyl. 8v OHV EFI	3YE	Alt. & Fan	4PK825
					AC	13A0890
					PS	13A1040
MASTER ACE	1985-91	YR28	1.8L 4 Cyl. 8v OHV Carb.	2Y	Alt. & Fan	4PK825
					AC	13A0890
					PS	13A1040
MASTER ACE	1985-91	YR30	2.0L 4 Cyl. 8v OHV EFI	3YE	Alt. & Fan	4PK825
					AC	13A0890
					PS	13A1040
MR2	1984-89	AW11	1.6L 4 Cyl. 16v DOHC EFI	4AGE	Alt. & WP	5PK825
					AC	4PK785
MR2	1989-99	SW20	2.0L 4 Cyl. 16v DOHC EFI	3SGE	Alt. - w/ PS	4PK830
					Alt. - w/o PS	4PK815
					AC	4PK875
MR2	2000-04	ZZW30	1.8L 4 Cyl. 16v DOHC EFI	1ZZFE	Alt. - w/ AC	6PK1700
					Alt. - w/o AC	6PK1400
					Tensioner Pulley	38018
PASEO	1991-96	EL44	1.5L 4 Cyl. 16v DOHC EFI	5EFE	Alt.	4PK825
					AC & PS	4PK1090
					PS	4PK940
PASEO	1997-99	EL54	1.5L 4 Cyl. 16v DOHC EFI	5EFE	Alt.	4PK825
					AC & PS	4PK1100
					PS	4PK940
PREVIA	1990-00	TCR10	2.4L 4 Cyl. 16v DOHC EFI	2TZFE	Alt. & PS	6PK825
					AC	4PK725
PREVIA	1990-00	TCR11	2.4L 4 Cyl. 16v DOHC EFI	2TZFE	Alt. & PS	6PK825
					AC	4PK725
PRIUS	1998-03	NHW10	1.5L 4 Cyl. 16v DOHC EFI	1NZ-FXE	Alt. - w/ AC	4PK1195
					Alt. - w/o AC	4PK925
					PS	3PK855
PRIUS	2000-03	NHW11	1.5L 4 Cyl. 16v DOHC EFI	1NZ-FXE	Alt. - w/ AC	4PK1195
					Alt. - w/o AC	4PK925
					PS	3PK855
PRIUS	2003-09	NHW20	1.5L 4 Cyl. 16v DOHC EFI	1NZ-FXE	Alt. - w/ AC	4PK1195
					Alt. - w/o AC	4PK925
					PS	3PK855
RAV4	2000-03	ACA20	2.0L 4 Cyl. 16v DOHC Diesel Direct Inj. INJ	1AZFSE	Serp.	7PK1930
					Tensioner	38216
RAV4	2000-05	ACA21	2.0L 4 Cyl. 16v DOHC Diesel Direct Inj. INJ	1AZFSE	Serp.	7PK1930
					Tensioner	38216
RAV4	2003-06	ACA22	2.4L Cyl. 4 Cyl. 16v DOHC EFI	2AZFE	Serp.	7PK1935
					Tensioner	38216
RAV4	2003-06	ACA23	2.4L Cyl. 4 Cyl. 16v DOHC EFI	2AZFE	Serp.	7PK1935
					Tensioner	38216
RAV4	2004-07	ACA33	2.4L Cyl. 4 Cyl. 16v DOHC EFI	2AZFE	Serp.	7PK1935
					Tensioner	38216
RAV4	1994-00	SXA10	2.0L 4 Cyl. 16v DOHC EFI	3SFE	Serp. - w/ AC	5PK1105
					Serp. - w/o AC	5PK0990
					PS	3PK760

Model	Year	Variant	Engine	Engine Code	Description	Part Number
TOYOTA CONTINUED						
RAV4	1994-00	SXA11	2.0L 4 Cyl. 16v DOHC EFI	3SFE	Serp. - w/ AC	5PK1105
					Serp. - w/o AC	5PK0990
					PS	3PK760
RAV4	1997-00	SXA16	2.0L 4 Cyl. 16v DOHC EFI	3SFE	Serp. - w/ AC	5PK1105
					Serp. - w/o AC	5PK0990
					PS	3PK760
SOARER	1984-86	GZ10	2.0L 6 Cyl. 24v DOHC EFI	1GGEU	Alt. & Fan	4PK1170
					AC	4PK865
					PS	3PK950
SOARER	1986-90	GZ20	2.0L 6 Cyl. 24v DOHC EFI	1GGEU	Alt. & Fan	4PK1170
					AC	4PK865
					PS	3PK950
SOARER	1986-90	GZ20	2.0L 6 Cyl. 24v DOHC Turbo EFI	1GGTEU	Alt. & Fan	4PK1170
					AC	4PK850
					PS	3PK950
SOARER	1990-97	JZZ30	2.5L 6 Cyl. 24v DOHC Turbo EFI	1JZGTE	Serp.	6PK1940
SOARER	1981-85	MZ10	2.8L 6 Cyl. 24v DOHC EFI	5MGE	Alt. & Fan - Micro-V Belt	7PK920
					Alt. & Fan - V-Belt	11A0915
					AC	13A0990
					PS	13A1195
SOARER	1981-85	MZ11	2.8L 6 Cyl. 24v DOHC EFI	5MGE	Alt. & Fan - Micro-V Belt	7PK920
					Alt. & Fan - V-Belt	11A0915
					AC	13A0990
					PS	13A1195
SOARER	1991-93	UZZ30	4.0L V8 32v DOHC EFI	1UZFE	Serp.	6PK2275
SOARER	1991-93	UZZ31	4.0L V8 32v DOHC EFI	1UZFE	Serp.	6PK2275
SOARER	1991-93	UZZ32	4.0L V8 32v DOHC EFI	1UZFE	Serp.	6PK2275
SPACIA	1997-01	SR40	2.0L 4 Cyl. 16v DOHC EFI	3SFE	Alt. - w/ AC	5PK1100
					Alt. - w/o AC	5PK990
					PS & WP	4PK960
SPACIA	1988-96	YR22	2.2L 4 Cyl. 8v OHV EFI	4YE	Alt. & WP	5PK825
					AC	13A0890
					PS	13A1055
STARLET	1986-90	EP70	1.0L 4 Cyl. 8v SOHC Carb.	1EL	Alt. & WP	4PK815
STARLET	1990-96	EP80	1.0L 4 Cyl. 8v SOHC Carb.	1EL	Alt. & WP	4PK815
STARLET	1989-96	EP82	1.3L 4 Cyl. 16v DOHC EFI	4EFE	Alt.	4PK830
					AC - w/o PS	4PK835
					PS - w/ AC	4PK1090
					PS - w/o AC	4PK915
STARLET	1996-00	EP91	1.3L 4 Cyl. 16v DOHC EFI	4EFE	Alt.	4PK830
					AC - w/ PS	4PK880
					AC - w/o PS	4PK885
					PS - w/ AC	4PK1090
					PS - w/o AC	4PK915
					Idler	38031
STARLET	1979-85	KP60	1.0L 4 Cyl. 8v OHV Carb.	2K	Alt. & WP	11A0890
STARLET	1979-85	KP61	1.3L 4 Cyl. 8v OHV Carb.	4K	Alt. & WP	11A0865
					AC	13A0915

* = NZ Vehicles Only

Model	Year	Variant	Engine	Engine Code	Description	Part Number
TOYOTA CONTINUED						
STARLET	1981-83	KP62	1.2L 4 Cyl. 8v OHV Carb.	3K	Alt. & WP - w/ AC	11A0865
					Alt. & WP - w/o AC	11A0890
					AC	13A0915
STOUT	1969-78	RK101	2.0L 4 Cyl. 8v OHV Carb.	5R	Alt. & Fan	13A0915
					AC	13A1065
STOUT	1969-78	RK110	2.0L 4 Cyl. 8v OHV Carb.	5R	Alt. & Fan	13A0940
					AC	13A1065
SUPRA	1986-93		2.0L 6 Cyl. 24v DOHC EFI	1GGEU	Alt. & WP	4PK1170
SUPRA	1993-97	JZA80	3.0L 6 Cyl. 24v DOHC EFI	2JZGE	Serp.	6PK1930
SUPRA	1993-97	JZA80	3.0L 6 Cyl. 24v DOHC Turbo EFI	2JZGTE	Serp.	6PK1930
SUPRA	1983-87	MA61	2.8L 6 Cyl. 12v SOHC EFI	5ME	Alt.	7PK920
					AC	13A0990
					Air Pump & PS	13A1250
SUPRA	1986-88	MA70	3.0L 6 Cyl. 24v DOHC EFI	7MGE	Alt.	5PK1295
					AC	4PK915
					PS	4PK855
SUPRA	1986-92	MA70	3.0L 6 Cyl. 24v DOHC Turbo EFI	7MGTE	Alt.	5PK1295
					AC	4PK915
					PS	4PK855
SUPRA	1988-93	MA71	3.0L 6 Cyl. 24v DOHC Turbo EFI	7MGTE	Alt.	5PK1295
					AC	4PK915
					PS	4PK855
T18	1979-83	TE72	1.8L 4 Cyl. 8v OHV Carb.	3T	Alt.	11A0850
					AC	13A0940
TARAGO	2000-06	ACR50	2.4L 4 Cyl. 16v DOHC EFI	2AZFE	Serp	7PK1930
TARAGO	1983-88	CR21	2.0L 4 Cyl. 8v SOHC Diesel	2C	Alt. - (2 Belts)	13A1005
					AC	13A850
					PS	3PK805
TARAGO	1990-00	TCR10	2.4L 4 Cyl. 16v DOHC EFI	2TZFE	Alt. & Fan	6PK825
					AC	4PK725
TARAGO	1989-99	TCR11	2.4L 4 Cyl. 16v DOHC EFI	2TZFE	Alt. & Fan	6PK825
					AC	4PK725
TARAGO	1990-91	TCR20	2.4L 4 Cyl. 16v DOHC EFI	2TZFE	Alt. & Fan	6PK825
					AC	4PK725
TARAGO	1992-93	TCR21	2.4L 4 Cyl. 16v DOHC EFI	2TZFE	Alt. & Fan	6PK825
					AC	4PK725
TARAGO	1982-88	YR20	1.8L 4 Cyl. 8v OHV Carb.	2Y	Alt. & Fan	4PK830
					AC	13A0915
					PS	13A1055
TARAGO	1983-89	YR21	2.0L 4 Cyl. 8v OHV Carb.	3YC	Alt. & Fan - 4 Rib Belt	4PK830
					Alt. & Fan - 5 Rib Belt	5PK825
					AC	13A0915
					PS	13A1055
TARAGO	1988-90	YR21	2.2L 4 Cyl. 8v OHV EFI	4YE	Alt. & Fan - 4 Rib Belt	4PK830
					Alt. & Fan - 5 Rib Belt	5PK825
					AC	13A0915
					PS	13A1055

Model	Year	Variant	Engine	Engine Code	Description	Part Number
TOYOTA CONTINUED						
TARAGO	1984-89	YR22	2.2L 4 Cyl. 8v OHV EFI	4YE	Alt. & Fan - 4 Rib Belt	4PK830
					Alt. & Fan - 5 Rib Belt	5PK825
					AC	13A0915
					PS	13A1055
TARAGO	1986-90	YR31	2.2L 4 Cyl. 8v OHV EFI	4YE	Alt. & Fan	4PK830
					AC	13A0915
					PS	13A1055
TARAGO	2005-07	ACR30	2.4L 4 Cyl. 16v DOHC EFI	2AZFE	Serp	7PK1930
TARAGO	2000-03	ULTIMA (ACR30)	2.4L 4 Cyl. 16v DOHC EFI	2AZFE	Serp	7PK1930
TERCEL	1983-84	AL20	1.3L 4 Cyl. 8v SOHC Carb.	2A	Alt. & Fan	11A0990
					AC	13A0965
					PS	13A0825
TERCEL	1983-88	AL25	1.5L 4 Cyl. 8v SOHC Carb.	3A	Alt. & WP	11A1080
					AC	13A1005
					PS	13A0800
TOWNACE	1983-89	CM20	1.8L 4 Cyl. 8v SOHC Diesel	1C	Alt. & Fan - Micro-V Belt	5PK915
					Alt. & Fan - V-Belt	13A0965
					AC	4PK800
					PS	3PK785
TOWNACE	1986-90	CM50	1.8L 4 Cyl. 8v SOHC Diesel	1C	Alt. & Fan - Micro-V Belt	5PK915
					Alt. & Fan - V-Belt	13A0965
					AC	4PK800
					PS	3PK785
TOWNACE	1986-96	CM51	2.0L 4 Cyl. 8v SOHC Diesel	2C	Alt. & Fan - Micro-V Belt	5PK915
					Alt. & Fan - V-Belt	13A0965
					AC	4PK800
					PS	3PK785
TOWNACE	1986-98	CM55	2.0L 4 Cyl. 8v SOHC Diesel	2C	Alt. & Fan - Micro-V Belt	5PK915
					Alt. & Fan - V-Belt	13A0965
					AC	4PK800
					PS	3PK785
TOWNACE	1987-97	CM60	2.0L 4 Cyl. 8v SOHC Diesel	2C	Alt. & Fan - Micro-V Belt	5PK915
					Alt. & Fan - V-Belt	13A0965
					AC	4PK800
					PS	3PK785
TOWNACE	1987-98	CM65	2.0L 4 Cyl. 8v SOHC Diesel	2C	Alt. & Fan - Micro-V Belt	5PK915
					Alt. & Fan - V-Belt	13A0965
					AC	4PK800
					PS	3PK785
TOWNACE	1984-88	CR26	1.8L 4 Cyl. 8v SOHC Diesel	1C	Alt. & Fan - Micro-V Belt	5PK915
					Alt. & Fan - V-Belt	13A0965
					AC	4PK800
					PS	3PK785
TOWNACE	1983-96	CR27	2.0L 4 Cyl. 8v SOHC Diesel	2C	Alt. & Fan - Micro-V Belt	5PK915
					Alt. & Fan - V-Belt	13A0965
					AC	4PK800
					PS	3PK785

* = NZ Vehicles Only

Model	Year	Variant	Engine	Engine Code	Description	Part Number
TOYOTA CONTINUED						
TOWNACE	1986-96	CR36	2.0L 4 Cyl. 8v SOHC Diesel	2C	Alt. & Fan - Micro-V Belt	5PK915
					Alt. & Fan - V-Belt	13A0965
					AC	4PK800
					PS	3PK785
TOWNACE	1996-99	CR41	2.0L 4 Cyl. 8v SOHC Diesel	2C	Alt. & Fan - Micro-V Belt	5PK915
					Alt. & Fan - V-Belt	13A0965
					AC	4PK800
					PS	3PK785
TOWNACE	1984-87	KM21	1.3L 4 Cyl. 8v OHV Carb.	4K	Alt. & Fan	11A0875
TOWNACE	1986-90	KM50	1.3L 4 Cyl. 8v OHV Carb.	4K	Alt. & Fan	11A0875
TOWNACE	1984-90	KR26	1.3L 4 Cyl. 8v OHV Carb.	4K	Alt. & Fan	11A0875
TOWNACE	1998-03	KR42 (SBV)	1.8L 4 Cyl. 8v OHV EFI	7KE	Alt.	11A0890
					AC	13A1000
					PS	13A0890
TOWNACE	1998-03	KR43	1.8L 4 Cyl. 8v OHV EFI	7K	Alt.	11A0915
					AC	13A1005
					PS	13A0890
TOWNACE	1982-91	YR20	1.8L 4 Cyl. 8v OHV Carb.	2Y	Alt. & Fan - Micro-V Belt	4PK825
					AC	13A0890
					PS	13A1040
TOWNACE	1985-91	YR28	1.8L 4 Cyl. 8v OHV Carb.	2Y	Alt. & Fan - Micro-V Belt	4PK825
					AC	13A0890
					PS	13A1040
TOWNACE	1991-98	YR39	2.0L 4 Cyl. 8v OHV Carb.	3YC	Alt.	5PK825
					AC	13A0915
					PS	13A1055
TOYOACE	1983-85	LY31	2.4L 4 Cyl. 8v SOHC Diesel	2L	Alt. & Fan	11A0980
					PS	13A0825
TOYOACE	1985-95	LY50	2.4L 4 Cyl. 8v SOHC Diesel	2L	Alt. & Fan	11A0980
					PS	13A0825
TOYOACE	1985-88	LY60	2.4L 4 Cyl. 8v SOHC Diesel	2L	Alt. & Fan	11A0980
					PS	13A0825
TOYOACE	1980-85	RY31	2.0L 4 Cyl. 8v OHV Carb.	5R	Alt. & Fan	13A0925
					AC	13A1055
VIENTA	1997-00	MVC20	3.0L V6 24v DOHC EFI	1MZFE	Alt.	6PK1050
					PS	4PK875
VIENTA	1992-98	VCV10	3.0L V6 24v DOHC EFI	3VZFE	Alt. - w/ AC	6PK1050
					Alt. - w/o AC	6PK940
					PS	4PK810
TRIUMPH						
STAG	1970-79		3.0L V8 16v SOHC Carb.	3.0	Alt.	10A0710
					AC	13A1090
					PS	11A1105

* = NZ Vehicles Only

Model	Year	Variant	Engine	Engine Code	Description	Part Number
VAUXHALL						
CHEVETTE	1977-81		1.3L 4 Cyl. 8v OHV Carb.		Alt. & WP	11A0965
CRESTA	1965-71	PB	3.3L 6 Cyl. 12v OHV Carb.	51PB	Alt. & WP	11A0990
CRESTA	1965-71	PC	3.3L 6 Cyl. 12v OHV Carb.	51PB	Alt. & WP	11A0990
VICTOR	1968-71		2.0L 4 Cyl. 8v SOHC Carb.		Alt. & WP	11A0915
VICTOR	1968-71		3.3L 6 Cyl. 12v OHV Carb.		Alt. & WP	11A1005
VICTOR	1970-71	FD	1.6L 4 Cyl. 8v SOHC Carb.		Alt. & WP	11A0915
VIVA	1967-77	HB	1.2L 4 Cyl. 8v OHV Carb.		Alt. & WP	11A0965
VIVA	1967-77	HC	1.2L 4 Cyl. 8v OHV Carb.		Alt. & WP	11A0965
VIVA	1967-77	SL90	1.2L 4 Cyl. 8v OHV Carb.		Alt. & WP	11A0965
VIVA	1972-77	9D69	1.3L 4 Cyl. 8v OHV Carb.		Alt. & WP	11A0965
VIVA	1975-77	9D69 (MAGNUM)	1.8L 4 Cyl. 8v SOHC Carb.	1.8L	Alt. & WP	11A0915
VOLKSWAGEN						
1300	1968-75		1.3L 4 Cyl. 8v OHV Carb.	1.3	Alt. - w/ AC	13A0990
					Alt. - w/o AC	11A0900
1500	1968-71		1.5L 4 Cyl. 8v OHV Carb.	1.5	Alt. - w/ AC	13A0990
					Alt. - w/o AC	11A0890
BEETLE	1960-67		1.2L 4 Cyl. 8v OHV Carb.	1.2	Alt. - w/ AC	13A0900
					Alt. - w/o AC	10A0900
					Gen. (9.5mm Crank Gear)	11A0890
BEETLE	1960-74		1.6L 4 Cyl. 8v OHV Carb.	AS	Alt. - w/ AC	13A0900
					Alt. - w/o AC	10A0900
					Gen. (9.5mm Crank Gear)	11A0890
BEETLE	1999-06	9C	2.0L 4 Cyl. 8v SOHC EFI	AQY	Serp. - w/ AC	6DPK1195
					Serp. - w/o AC	6PK1120
					Tensioner	38148
					Tensioner Pulley	38018
BEETLE	2001-06	9C	1.8L 4 Cyl. 20v DOHC Turbo EFI	AWU	Serp.	6DPK1195
					Tensioner Pulley	36101
BEETLE	2002-03		1.6L 4 Cyl. 16v SOHC EFI	AYD	Serp. - w/ AC	6DPK1195
					Serp. - w/o AC	6PK1120
					Tensioner	38148
					Tensioner Pulley	38018
BEETLE	2002-04		1.6L 4 Cyl. 16v SOHC MPFI	AKL	Serp. - w/ AC	6DPK1195
					Serp. - w/o AC	6PK1120
BEETLE	2003-07	Convertible	2.0L 4 Cyl. 8v SOHC EFI	AZJ	Serp. - w/ AC	6DPK1195
					Serp. - w/o AC	6PK1120
					Tensioner Pulley	36101
BEETLE	2005-08	9C	1.6L 4 Cyl. 8v SOHC EFI	BFS	Serp. - w/ AC	6DPK1195
					Serp. - w/o AC	6PK1120
BORA	1999-01		2.3L V5 20v DOHC EFI	AGZ	Serp. - w/ AC	6DPK1350
					Serp. - w/o AC	6PK1290
BORA	1999-05		2.0L 4 Cyl. 8v SOHC EFI	Air PumpK	Serp. - w/ AC	6DPK1195
					Serp. - w/o AC	6PK1120
					Tensioner Pulley	36101
BORA	2001-03		2.8L V6 24v DOHC EFI	AUE	Serp. - w/ AC - w/ 4 - (2 Belts)	6DPK1325
					Serp. - w/ AC - w/ 4x4	6DPK1350
					Tensioner	38175
BORA	2001-04		2.8L V6 12v DOHC EFI	BDE	Serp. - w/o AC	6PK1885

* = NZ Vehicles Only

Model	Year	Variant	Engine	Engine Code	Description	Part Number
VOLKSWAGEN CONTINUED						
BORA	2001-06		2.3L V5 20v DOHC EFI	AQN	Serp. - w/ AC	6DPK1325
					Serp. - w/o AC	6PK1290
CADDY	2004-06		1.6L 4 Cyl. 16v SOHC EFI	BGU	Serp. - w/ AC	6PK1045
					Serp. - w/o AC	6PK950
					Tensioner Pulley	36101
CADDY	2004-07		1.9L 4 Cyl. 8v SOHC Turbo Diesel	BJB	Serp. - w/ AC	6PK1045
					Serp. - w/o AC	6PK950
CARAVELLE	1985-92		2.1L 4 Cyl. 8v OHV Carb.	MV	Alt. & WP	11A1105
					AC	13A1150
					PS	11A1080
CARAVELLE	1997-04		2.5L 5 Cyl. 10v SOHC EFI	AET	Serp. - w/ AC, - w/ Man. Ten.	6PK2240
					Serp. - w/ AC, - w/ Auto. Ten.	6PK2225
					Serp. - w/o AC	6PK1355
CARAVELLE	2002-03		2.5L 4 Cyl. 10v SOHC Turbo Diesel	ACV	Serp. - w/ AC	6PK2230
CARAVELLE	2003-05		2.8L V6 24v DOHC EFI	AMV	Serp. - w/ AC	7DPK1360
					Serp. - w/o AC	7PK1285
GOLF	1976-80		1.6L 4 Cyl. 8v SOHC Carb.	FN	Alt.	11A0825
					AC	13A1125
					Air Pump	11A0925
GOLF	1978-82		1.5L 4 Cyl. 8v SOHC Diesel	CK	Alt.	11A0875
					AC	13A1125
GOLF	1992-03		2.0L 4 Cyl. 8v SOHC EFI	2E	Alt. & AC	6PK1155
					Alt. & WP - w/o AC	6PK900
					Alt. & WP - w/o AC - w/ Auto Ten.	6PK980
					PS & WP - w/ AC	10A0750
					PS - w/o AC	10A0685
					Tensioner	38147
GOLF	1992-98	VR6	2.8L V6 12v SOHC EFI	AAA	Serp. - w/ AC	7DPK1365
					Serp. - w/o AC	7PK1285
					Tensioner	38175
GOLF	1994-98		2.0L 4 Cyl. 8v SOHC EFI	ADY	Alt. & AC	6PK1155
					Alt. & WP - w/o AC	6PK900
					Alt. & WP - w/o AC - w/ Auto Ten.	6PK980
					PS & WP - w/ AC	10A0750
					PS - w/o AC	10A0685
					Tensioner	38147
GOLF	1995-97		1.9L 4 Cyl. 8v SOHC Turbo Diesel	1Z	Serp. - w/ AC	6PK1150
					Serp. - w/o AC	6PK1040
					PS - w/ AC	11A0800
					PS - w/o AC	11A0735
GOLF	1995-99		1.8L 4 Cyl. 8v SOHC EFI	ADZ	Alt. & AC	6PK1155
					Alt. & WP - w/o AC	6PK900
					Alt. & WP - w/o AC - w/ Auto Ten.	6PK980
					PS & WP - w/ AC	10A0750
					PS - w/o AC	10A0685

Model	Year	Variant	Engine	Engine Code	Description	Part Number
VOLKSWAGEN CONTINUED						
GOLF	1996-02		2.0L 4 Cyl. 8v SOHC EFI	AGG	Alt. & AC	6PK1155
					Alt. & WP - w/o AC	6PK900
					Alt. & WP - w/o AC - w/ Auto Ten.	6PK980
					PS & WP - w/ AC	10A0750
					PS - w/o AC	10A0685
GOLF	1998-01		1.8L 4 Cyl. 20v DOHC EFI	AGN	Serp. - w/ AC	6DPK1195
					Serp. - w/o AC	6PK1120
					Tensioner Pulley	36101
GOLF	1998-02		1.6L 4 Cyl. 8v SOHC EFI	AKL	Serp. - w/ AC	6DPK1195
					Serp. - w/o AC	6PK1120
					Tensioner Pulley	36101
GOLF	1998-02		1.6L 4 Cyl. 8v SOHC MPFI	AEH	Serp. - w/ AC	6DPK1195
					Serp. - w/o AC	6PK1120
GOLF	1999-05		1.8L 4 Cyl. 20v DOHC Turbo EFI	AGU	Serp. - w/ AC	6DPK1195
					Serp. - w/o AC	6PK1200
					Tensioner Pulley	36101
GOLF	1999-05		2.0L 4 Cyl. 8v SOHC EFI	APK	Serp. - w/ AC	6DPK1195
					Serp. - w/o AC	6PK1200
					Tensioner Pulley	36101
GOLF	2001-03		1.6L 4 Cyl. 8v SOHC EFI	AVU	Tensioner Pulley	36101
GOLF	2002-04		1.6L 4 Cyl. 16v DOHC EFI	BFQ	Serp. - w/ AC	6DPK1195
					Serp. - w/o AC	6PK1200
GOLF	2004-06		1.6L 4 Cyl. 8v SOHC EDI	BGU	Serp. - w/ AC	6PK1050
					Serp. - w/o AC	6PK900
GOLF	2004-06		1.9L 4 Cyl. 8v SOHC Turbo Diesel	BKC	Serp. - w/ AC	6PK1050
					Serp. - w/o AC	6PK950
GOLF	2004-06		2.0L 4 Cyl. 16v DOHC EFI	BLX	Serp. - w/ AC	6PK1040
					Serp. - w/o AC	6PK890
GOLF	2004-07	DSG	2.0L 4 Cyl. 16v DOHC Turbo Diesel EFI	BKD	Serp. - w/ AC	6PK1050
					Serp. - w/o AC	6PK950
GOLF	2005-07		1.6L 4 Cyl. 16v DOHC Diesel Direct Inj.	BSE	Serp. - w/ AC	6PK1050
					Serp. - w/o AC	6PK890
GOLF	2006-07	R32	3.2L V6 24v DOHC EFI	BUB	Tensioner	38450
KARMANN	1961-74	GHIA	1.2L 4 Cyl. 8v OHV Carb.	1200	Alt. & Gen.	10A0900
KOMBI	1968-72		1.6L 4 Cyl. 8v SOHC Carb..	1600	Alt.	11A0965
KOMBI	2002-04		2.5L 5 Cyl. 10v SOHC EFI	AET	Serp. - w/ AC, - w/ Man. Ten.	6PK2240
					Serp. - w/ AC, - w/ Auto. Ten.	6PK2230
					Serp. - w/o AC	6PK1355
PASSAT	1974-75		1.5L 4 Cyl. 8v SOHC Carb..		Alt.	11A0875
					AC	13A1125
PASSAT	1975-81		1.6L 4 Cyl. 8v SOHC Carb.	FS	Serp. - w/ AC	6PK1880
PASSAT	1979-82		1.5L 4 Cyl. 8v SOHC Diesel		Alt.	11A0875
					AC	13A1125
PASSAT	1995-97		2.0L 4 Cyl. 8v SOHC EFI	ADY	Alt. & AC	6PK1155
					Alt. & WP - w/o AC - w/ Auto Ten.	6PK975
					Alt. & WP - w/o AC	6PK890
					PS & WP - w/ AC	11A0760
					PS - w/o AC	10A0685
					Tensioner	38147

* = NZ Vehicles Only

Model	Year	Variant	Engine	Engine Code	Description	Part Number
VOLKSWAGEN CONTINUED						
PASSAT	1995-97		2.8L V6 12v SOHC EFI	AAA	Serp. - w/ AC	7DPK1365
					Serp. - w/o AC	7PK1285
					Tensioner	38175
PASSAT	1997-02		1.8L 4 Cyl. 20v DOHC EFI	ADR	Alt.	5PK1295
					AC	4PK855
					PS	11A0528
					Tensioner	38151
PASSAT	1997-02		1.8L 4 Cyl. 20v DOHC Turbo EFI	AEB	Alt.	5PK1295
					AC	4PK855
					PS	11A0528
					Tensioner - Alt	38151
PASSAT	1998-01		1.8L 4 Cyl. 20v DOHC Turbo EFI	AEB	Alt.	5PK1295
					AC	4PK855
					PS	11A0528
					Tensioner - Alt	38151
PASSAT	1998-01		2.8L V6 30v DOHC MPFI	ACK	Serp. - w/ AC	6PK1880
					Serp. - w/o AC	6PK1755
					Idler Pulley	36141
PASSAT	1998-99		2.8L V6 30v DOHC MPFI	ACK	Serp. - w/ AC	6PK1880
					Serp. - w/o AC	6PK1755
					Idler Pulley	36141
PASSAT	1999-01		2.8L V6 30v DOHC MPFI	APR	Serp. - w/ AC	6PK1880
					Serp. - w/o AC	6PK1755
PASSAT	2000-05		2.8L V6 30v DOHC EFI	BBG	Serp. - w/ AC	6PK1880
					Serp. - w/o AC	6PK1755
PASSAT	2001-02		1.8L 4 Cyl. 20v DOHC Turbo EFI	AWT	Alt.	5PK1295
					AC	4PK855
					PS	11A0528
PASSAT	2005-07		3.2L V6 24v DOHC EFI	AXZ	Tensioner	38450
PASSAT	1974-75		1.3L 4 Cyl. 8v SOHC Carb.	ZA	Alt.	11A0950
POLO	1995-97		1.6L 4 Cyl. 8v SOHC EFI	AEA	Alt. - w/ AC, w/ PS	6PK1130
					Alt. - w/o PS, w/ AC	6PK1065
					Alt. - w/o PS, w/o AC	6PK750
POLO	1996-00		1.6L 4 Cyl. 8v SOHC EFI	AEE	Alt. - w/ AC, w/ PS	6PK1130
					Alt. - w/o PS, w/ AC	6PK1065
					Alt. - w/o PS, w/o AC	6PK750
POLO	1996-02		1.6L 4 Cyl. 8v SOHC EFI	AHS	Alt. - w/ AC, w/ PS	6PK1130
					Alt. - w/o PS, w/ AC	6PK1065
					Alt. - w/o AC, w/o PS	6PK750
POLO	2000-03		1.4L 4 Cyl. 16v DOHC EFI	AHW	Alt. - w/ AC, w/ PS	6PK1130
					Alt. - w/o PS, w/ AC	6PK1065
					Alt. - w/o PS, w/o AC	6PK750
POLO	2002-05		1.4L 4 Cyl. 16v DOHC EFI	BBY	Serp.	6PK1080
					Serp. - w/o AC	6PK730
SANTANA	1984-88	M30 (Gi)	1.8L 4 Cyl. 8v SOHC EFI	JN	Alt. & WP	11A0955
					AC	13A0825
					PS	11A0800

Model	Year	Variant	Engine	Engine Code	Description	Part Number
VOLKSWAGEN CONTINUED						
SANTANA	1984-89		2.0L 5 Cyl. 20v DOHC EFI	JS	Alt.	11A0800
					AC	13A0990
					PS	13A0990
TOUAREG	2003-07		4.2L V8 40v DOHC MPFI	AXQ	Serp.	7PK2365
					Tensioner	38451
TRANSPORTER	1986-92		2.1L 4 Cyl. 8v OHV EFI	MV	Alt.	11A1075
					AC	13A1150
					PS	11A1080
TRANSPORTER	1992-04		2.0L 4 Cyl. 8v SOHC EFI	AAC	Alt. x 1 - w/AC 2 x Hyd. Pump - (1992-96)	6PK1460
					Alt. x 1 - w/ Hyd. Pump - w/ AC - (1992-96)	6PK1585
					Alt. x 1 - w/ Hyd. Pump - w/o AC - (1992-96)	11A0965
					Alt. x 1 - w/ AC - w/ Pto - (1996-04)	6PK1585
					Alt. x 1 - w/o AC - w/ Pto - (1996-04)	6PK1880
					Alt. x 1 - w/o AC - w/o Pto - w/o 120a - (1996-04)	6PK925
					Alt. x 1 - w/o AC - w/o Pto - w/ 120a - (1996-04)	6PK1065
					Alt. - (2 Belts) - (1992-96)	6PK1555
					Alt. - (2 Belts) - (1996-04)	6PK1880
					PS - w/ AC - (1996- 04)	6PK1585
					PS - w/o AC - (1996-04)	10A0650
TRANSPORTER	1994-03		2.5L 5 Cyl. 10v SOHC EFI	ACU	Serp. - w/ AC	6PK2225
					Serp. - w/o AC	6PK1715
TRANSPORTER	1995-04		2.4L 5 Cyl. 10v SOHC Turbo Diesel	AAB	Alt. # 1 - w/ PTO	13A1170
					Alt. # 1 - w/o PTO	13A1120
					Alt. # 2	13A1270
					PS	11A0865
					Hyd. Pump	13A1055
					AC	13A1320
TRANSPORTER	1995-04		2.5L 4 Cyl. 10v SOHC Turbo Diesel	ACV	Alt. w/ AC	6PK2240
					Alt. w/o AC Upto 4/98	6PK1765
					Alt. w/o AC From 5/98 w/ Man. Ten.	6PK1765
					Alt. w/o AC From 5/98 w/ Auto. Ten.	6PK1755
					Alt. w/ 2 x Alt.	6PK2070

* = NZ Vehicles Only

Model	Year	Variant	Engine	Engine Code	Description	Part Number
VOLKSWAGEN CONTINUED						
TRANSPORTER	1995-04	T4	2.4L 5 Cyl. 10v SOHC Diesel	AAB	Alt. - w/o PTO w/ 1 x Hyd. Pump w/o AC Upto 1/96	6PK1335
					Alt. - w/o PTO w/ 1 x Hyd. Pump w/o AC From 1/96	6PK1345
					Alt. - w/o PTO w/ 1 x Hyd. Pump w/ AC	6PK2240
					Alt. - w/o PTO w/ 2 x Hyd. Pump Upto Ch # 70-X- 140000	6PK2125
					Alt. - w/o PTO w/ 2 x Hyd. Pump From Ch # 70-X- 140001	6PK2100
					Alt. - w/o PTO w/ 2 x Alt. Upto 1/96	6PK2070
					Alt. - w/ PTO	6PK1715
TRANSPORTER	1995-98	T4	2.5L 4 Cyl. 10v SOHC Turbo Diesel EFI	AUF	Alt. w/ AC	6PK2240
					Alt. w/o AC Upto 4/98	6PK1765
					Alt. w/o AC From 5/98 w/ Man. Ten.	6PK1765
					Alt. w/o AC From 5/98 w/ Auto. Ten.	6PK1755
					Alt. w/ 2 x Alt.	6PK2070
TRANSPORTER	1995-98		2.5L 4 Cyl. 10v SOHC Turbo Diesel EFI	AUF	Alt. w/ AC	6PK2240
					Alt. w/o AC Upto 4/98	6PK1765
					Alt. w/o AC From 5/98 w/ Man. Ten.	6PK1765
					Alt. w/o AC From 5/98 w/ Auto. Ten.	6PK1755
					Alt. w/ 2 x Alt.	6PK2070
TRANSPORTER	1996-04		2.5L 5 Cyl. 10v SOHC EFI	AET	Alt. - w/ 1 x Hyd Pump w/o AC Upto 1/95	6PK1715
					Alt. - w/ 1 x Hyd Pump w/o AC From 1/95 to 1/96	6PK1335
					Alt. - w/ 1 x Hyd Pump w/o AC From 1/96	6PK1345
					Alt. - w/ 1 x Hyd Pump w/ AC Upto 1/95	6PK2125
					Alt. - w/ 1 x Hyd Pump w/ AC From 1/96 w/ Man. Ten.	6PK2240
					Alt. - w/ 1 x Hyd Pump w/ AC From 1/96 w/ Auto Ten.	6PK2225
					Alt. - w/ x 2 Hyd. Pump From 1/95-On	6PK2125
					Alt. - w/ 2 x Alt. Upto 1/95	6PK2005
					Alt. - w/ 2 x Alt. From 1/95-On	6PK2070

Model	Year	Variant	Engine	Engine Code	Description	Part Number
VOLKSWAGEN CONTINUED						
TRANSPORTER	1996-04	T4	2.5L 5 Cyl. 10v SOHC EFI	AET	Alt. - w/ 1 x Hyd Pump w/o AC Upto 1/95	6PK1715
					Alt. - w/ 1 x Hyd Pump w/o AC From 1/95 to 1/96	6PK1335
					Alt. - w/ 1 x Hyd Pump w/o AC From 1/96	6PK1345
					Alt. - w/ 1 x Hyd Pump w/ AC Upto 1/95	6PK2125
					Alt. - w/ 1 x Hyd Pump w/ AC From 1/96 w/ Auto Ten.	6PK2225
					Alt. - w/ 1 x Hyd Pump w/ AC From 1/96 w/ Man. Ten.	6PK2240
					Alt. - w/ 2 Hyd. Pump From 1/95-On	6PK2125
					Alt. - w/ 2 x Alt. Upto 1/95	6PK2005
					Alt. - w/ 2 x Alt. From 1/95-On	6PK2070
TRANSPORTER	1997-99		2.4L 5 Cyl. 10v SOHC Turbo Diesel	AJA	Alt. - w/o PTO w/ 1 x Hyd. Pump w/o AC Upto 1/96	6PK1335
					Alt. - w/o PTO w/ 1 x Hyd. Pump w/o AC From 1/96	6PK1345
					Alt. - w/o PTO w/ 1 x Hyd. Pump w/ AC	6PK2240
					Alt. - w/o PTO w/ 2 x Hyd. Pump Upto Ch # 70-X-140000	6PK2125
					Alt. - w/o PTO w/ 2 x Hyd. Pump From Ch # 70-X-140001	6PK2100
					Alt. - w/o PTO w/ 2 x Alt. Upto 1/96	6PK2070
					Alt. - w/ PTO	6PK1715
TRANSPORTER	1999-04	T4	2.5L 5 Cyl. 10v SOHC Turbo Diesel EFI	AXE	Alt. w/ AC	6PK2240
					Alt. w/o AC Upto 4/98	6PK1765
					Alt. w/o AC From 5/98 w/ Auto. Ten.	6PK1755
					Alt. w/o AC From 5/98 w/ Man. Ten.	6PK1765
					Alt. w/ 2 x Alt.	6PK2070
TRANSPORTER	2003-06	T4	2.5L 4 Cyl. 10v SOHC Turbo Diesel EFI	AVR	Alt. w/ AC	6PK2240
					Alt. w/o AC Upto 4/98	6PK1765
					Alt. w/o AC From 5/98 w/ Auto. Ten.	6PK1755
					Alt. w/o AC From 5/98 w/ Man. Ten.	6PK1765
					Alt. w/ 2 x Alt.	6PK2070
TRANSPORTER	2004-06	T5	1.9L 4 Cyl. 8v SOHC Turbo Diesel EFI	AXB	Serp. - w/ AC	6DPK1195
					Serp. - w/o AC	6PK1120
TRANSPORTER	2004-06	T5	1.9L 4 Cyl. 8v SOHC Turbo Diesel Direct Inj.	AXB	Serp. - w/ AC	6DPK1195
					Serp. - w/o AC	6PK1120

* = NZ Vehicles Only

Model	Year	Variant	Engine	Engine Code	Description	Part Number
VOLKSWAGEN CONTINUED						
TRANSPORTER	2004-07		2.0L 4 Cyl. 8v SOHC EFI	AXA	Serp. - w/ AC	6DPK1195
					Serp. - w/o AC	6PK1120
TRANSPORTER	2006-07	T5	2.0L 4 Cyl. 8v SOHC EFI	AXA	Serp. - w/ AC	6DPK1195
					Serp. - w/o AC	6PK1120
VENTO	1992-96		2.0L 4 Cyl. 8v SOHC EFI	2E	Alt. - w/ AC	6PK1155
					Alt. - w/o AC - w/ Auto Ten.	6PK975
					Alt. - w/o AC - w/ Man. Ten.	6PK890
					PS - w/ AC	11A0760
					PS - w/o AC	11A0865
VENTO	1995-97		2.0L 4 Cyl. 8v SOHC EFI	ADY	Alt. - w/ AC	6PK1155
					Alt. - w/o AC - w/ Auto Ten.	6PK975
					Alt. - w/o AC - w/ Man. Ten.	6PK890
					PS - w/ AC	11A0760
					PS - w/o AC	11A0865
VOLVO						
144	1971-75		2.0L 4 Cyl. 8v OHV EFI	B20E	Alt., Fan & Gen.	11A0890
					AC & PS	13A1500
					PS - w/o AC	13A1295
144	1971-75		2.0L 4 Cyl. 8v OHV TWIN Carb.	B20B	Alt., Fan & Gen.	11A0890
					AC & PS	13A1500
					PS - w/o AC	13A1295
164	1969-75		3.0L 6 Cyl. 12v OHV EFI	B30E	Alt. & Fan	11A0890
					AC	13A1295
					AC & PS	13A1145
					AC & Air Pump	13A1450
					PS	13A0840
240	1981-85		2.3L 4 Cyl. 8v SOHC EFI	B230E	Alt. & Fan	11A0925
					Air Comp. - w/ PS - 1080mm Belt	13A1080
					Air Comp. - w/ PS - 1345mm Belt	13A1345
					Air Comp. - w/o PS - 925mm Belt	13A0925
					Air Comp. - w/o PS - 980mm Belt	13A0980
					PS - w/ AC	11A0850
					PS - w/o AC	11A0940
240	1983-84		2.1L 4 Cyl. 8v SOHC Carb.	B21A	Alt. & Fan	11A0925
					Air Comp. - w/ PS - 1080mm Belt	13A1080
					Air Comp. - w/ PS - 1345mm Belt	13A1345
					Air Comp. - w/o PS - 925mm Belt	13A0925
					Air Comp. - w/o PS - 980mm Belt	13A0980
					PS - w/ AC	11A0850
					PS - w/o AC	11A0940

Model	Year	Variant	Engine	Engine Code	Description	Part Number
VOLVO CONTINUED						
240	1983-85		2.3L 4 Cyl. 8v SOHC EFI	B23E	Alt. & Fan	11A0925
					Air Comp. - w/ PS - 1080mm Belt	13A1080
					Air Comp. - w/ PS - 1345mm Belt	13A1345
					Air Comp. - w/o PS - 925mm Belt	13A0925
					Air Comp. - w/o PS - 980mm Belt	13A0980
					PS - w/ AC	11A0850
					PS - w/o AC	11A0940
240	1984-92		2.3L 4 Cyl. 8v SOHC Carb.	B23A	Alt. & Fan	11A0925
					Air Comp. - w/ PS - 1080mm Belt	13A1080
					Air Comp. - w/ PS - 1345mm Belt	13A1345
					Air Comp. - w/o PS - 925mm Belt	13A0925
					Air Comp. - w/o PS - 980mm Belt	13A0980
					PS - w/ AC	11A0850
					PS - w/o AC	11A0940
240	1986-92		2.3L 4 Cyl. 8v SOHC EFI	B230F	Alt. & Fan	11A0925
					Air Comp. - w/ PS - 1080mm Belt	13A1080
					Air Comp. - w/ PS - 1345mm Belt	13A1345
					Air Comp. - w/o PS - 925mm Belt	13A0925
					Air Comp. - w/o PS - 980mm Belt	13A0980
					PS - w/ AC	11A0850
					PS - w/o AC	11A0940
242	1975-76		2.1L 4 Cyl. 8v SOHC Carb.	B21A	Alt. & Fan	11A0925
					Air Comp. - w/ PS - 1080mm Belt	13A1080
					Air Comp. - w/ PS - 1345mm Belt	13A1345
					Air Comp. - w/o PS - 925mm Belt	13A0925
					Air Comp. - w/o PS - 980mm Belt	13A0980
					PS - w/ AC	11A0850
					PS - w/o AC	11A0940
242	1979-81		2.3L 4 Cyl. 8v SOHC EFI	B23E	Alt. & Fan	11A0925
					Air Comp. - w/ PS - 1080mm Belt	13A1080
					Air Comp. - w/ PS - 1345mm Belt	13A1345
					Air Comp. - w/o PS - 925mm Belt	13A0925
					Air Comp. - w/o PS - 980mm Belt	13A0980
					PS - w/ AC	11A0850
					PS - w/o AC	11A0940
244	1975-82		2.3L 4 Cyl. 8v SOHC EFI	B230E	Alt. & Fan	11A0925
					Air Comp. - w/ PS - 1080mm Belt	13A1080
					Air Comp. - w/ PS - 1345mm Belt	13A1345
					Air Comp. - w/o PS - 925mm Belt	13A0925
					Air Comp. - w/o PS - 980mm Belt	13A0980
					PS - w/o AC	11A0940
					PS - w/ AC	11A0850

* = NZ Vehicles Only

Model	Year	Variant	Engine	Engine Code	Description	Part Number
VOLVO CONTINUED						
244	1978-82		2.1L 4 Cyl. 8v SOHC Carb.	B21A	Alt. & Fan	11A0925
					Air Comp. - w/ PS - 1080mm Belt	13A1080
					Air Comp. - w/ PS - 1345mm Belt	13A1345
					Air Comp. - w/o PS - 925mm Belt	13A0925
					Air Comp. - w/o PS - 980mm Belt	13A0980
					PS - w/ AC	11A0850
					PS - w/o AC	11A0940
244	1979-88		2.3L 4 Cyl. 8v SOHC EFI	B23E	Alt. & Fan	11A0925
					Air Comp. - w/ PS - 1080mm Belt	13A1080
					Air Comp. - w/ PS - 1345mm Belt	13A1345
					Air Comp. - w/o PS - 925mm Belt	13A0925
					Air Comp. - w/o PS - 980mm Belt	13A0980
					PS - w/ AC	11A0850
					PS - w/o AC	11A0940
244	1984-89	GLT	2.3L 4 Cyl. 8v SOHC EFI	B230F	Alt. & Fan	11A0925
					Air Comp. - w/ PS - 1080mm Belt	13A1080
					Air Comp. - w/ PS - 1345mm Belt	13A1345
					Air Comp. - w/o PS - 925mm Belt	13A0925
					Air Comp. - w/o PS - 980mm Belt	13A0980
					PS - w/ AC	11A0850
					PS - w/o AC	11A0940
245	1975-82		2.3L 4 Cyl. 8v SOHC Carb.	B23E	Alt. & Fan	11A0925
					Air Comp. - w/ PS - 1080mm Belt	13A1080
					Air Comp. - w/ PS - 1345mm Belt	13A1345
					Air Comp. - w/o PS - 925mm Belt	13A0925
					Air Comp. - w/o PS - 980mm Belt	13A0980
					PS - w/ AC	11A0850
					PS - w/o AC	11A0940
245	1979-82		2.3L 4 Cyl. 8v SOHC EFI	B230FX	Alt. & Fan	11A0925
					Air Comp. - w/ PS - 1080mm Belt	13A1080
					Air Comp. - w/ PS - 1345mm Belt	13A1345
					Air Comp. - w/o PS - 925mm Belt	13A0925
					Air Comp. - w/o PS - 980mm Belt	13A0980
					PS - w/ AC	11A0850
					PS - w/o AC	11A0940
245	1981-92		2.3L 4 Cyl. 8v SOHC EFI	B230F	Alt. & Fan	11A0925
					Air Comp. - w/ PS - 1080mm Belt	13A1080
					Air Comp. - w/ PS - 1345mm Belt	13A1345
					Air Comp. - w/o PS - 925mm Belt	13A0925
					Air Comp. - w/o PS - 980mm Belt	13A0980
					PS - w/ AC	11A0850
					PS - w/o AC	11A0940

Model	Year	Variant	Engine	Engine Code	Description	Part Number
VOLVO CONTINUED						
260	1983-85		2.8L V6 12v SOHC EFI	B28E	Alt. & Fan	11A1130
					AC	13A1395
					PS	11A0965
262C	1979-80		2.7L V6 12v SOHC EFI	B27E	Alt.	11A1105
					AC	13A1410
					PS	11A0965
264	1975-81		2.7L V6 12v SOHC EFI	B27E	Alt. & Fan	11A1130
					AC	13A1410
					Fan & Air Pump	11A0990
					PS	11A0965
264	1981-83		2.8L V6 12v SOHC EFI	B28E	Alt. & Fan	11A1130
					AC	13A1400
					PS	11A0965
265	1976-81		2.7L V6 12v SOHC EFI	B27E	Alt. & Fan	11A1130
					AC	13A1410
					Fan & Air Pump	11A0990
					PS	11A0965
265	1981-82		2.8L V6 12v SOHC EFI	B28E	Alt. & Fan	11A1130
					AC	13A1400
					PS	11A0965
345	1982-85		1.4L 4 Cyl. 8v OHV Carb.	B143E	Alt.	11A1220
360	1984-87		2.0L 4 Cyl. 8v SOHC EFI	B19E	Alt. & Fan	11A0915
					AC	13A0990
					PS - w/ AC	11A0865
					PS - w/o AC	11A0940
360	1984-90		2.0L 4 Cyl. 8v SOHC EFI	B200E	Alt. & Fan	11A0915
					AC	13A0990
					PS - w/ AC	11A0865
					PS - w/o AC	11A0940
440	1993-97		2.0L 4 Cyl. 8v SOHC EFI	B20F	Alt. - w/ AC, w/ PS	3PK600
					Alt. - w/ AC, w/o PS	6PK840
					Alt. - w/o AC, w/o PS	6PK840
					AC & PS	6PK1555
480	1987-93		1.7L 4 Cyl. 8v SOHC EFI	B18FP	Alt. & PS	6PK1145
					AC	6PK1555
					Alt.	6PK875
740	1985-90		2.3L 4 Cyl. 8v SOHC Turbo EFI	B230FT	Alt.	11A1015
					AC	13A0980
					Fan & PS	11A1005
740	1985-92		2.3L 4 Cyl. 8v SOHC EFI	B230E	Alt. & Fan	11A0925
					AC	13A0980
					PS - w/ AC	11A0865
					PS - w/o AC	11A0940
740	1985-92		2.3L 4 Cyl. 8v SOHC EFI	B230F	Alt. & Fan	11A0925
					AC	13A0965
					PS - w/ AC	11A0875
					PS - w/o AC	11A0940
740	1989-90		2.3L 4 Cyl. 16v DOHC EFI	B234F	Alt. & Fan	11A1285
					AC	13A1195
					PS - 1030mm Belt.	11A1030
					PS - 1080mm Belt	13A1080

* = NZ Vehicles Only

Model	Year	Variant	Engine	Engine Code	Description	Part Number
VOLVO CONTINUED						
760	1983-88		2.3L 4 Cyl. 8v SOHC Turbo EFI	B230ET	Alt. & Fan	11A0925
					AC	13A0980
					PS	13A1090
760	1983-91		2.8L V6 12v SOHC EFI	B28E	Alt. & Fan	11A1105
					Alt. & Fan - 1983-87	11A1080
					AC	13A1420
					PS	11A0990
760	1984-88		2.3L 4 Cyl. 8v SOHC Turbo EFI	B23ET	Alt. & Fan	11A0925
					AC	13A0925
					PS	13A1090
760	1986-91		2.8L V6 12v SOHC EFI	B280F	Alt. & Fan	11A1105
					Alt. & Fan - 1986-87	11A1080
					AC	13A1420
					PS	11A0990
850	1992-97		2.0L 5 Cyl. 20v DOHC MPFI	B5254FS	Serp. - w/ Man. Ten.	6PK1615
					Serp. - w/ Auto Ten.	6PK1740
850	1992-98		2.4L 5 Cyl. 10v SOHC MPFI	B5252S	Serp. - w/ Man. Ten.	6PK1615
					Serp. - w/ Auto Ten.	6PK1740
850	1993-97		2.0L 5 Cyl. 20v DOHC MPFI	B5254S	Serp. - w/ Man. Ten.	6PK1615
					Serp. - w/ Auto Ten.	6PK1740
850	1993-98		2.3L 5 Cyl. 20v DOHC Turbo MPFI	B5234T	Serp. - w/ Man. Ten.	6PK1615
					Serp. - w/ Auto Ten.	6PK1740
940	1990-92		2.3L 4 Cyl. 16v DOHC EFI	B234F	Alt.	11A1275
					AC	13A1200
					PS	11A1040
940	1990-98		2.3L 4 Cyl. 8v SOHC Turbo EFI	B230FT	Alt.	11A1005
					AC - to 1992	13A0980
					AC - from 1993	13A0965
					PS	11A1005
940	1991-95		2.3L 4 Cyl. 8v SOHC EFI	B230FB	Alt.	11A1005
					AC	13A0950
					PS	11A1005
940	1991-95		2.3L 4 Cyl. 8v SOHC EFI	B230E	Alt.	11A0915
					AC - to 1993	13A0955
					AC - from 1993	13A0975
					PS - w/ AC	10A0875
960	1990-91		2.8L V6 12v SOHC EFI	B280F	Alt.	11A1075
					AC	13A1435
					PS	11A0985
960	1991-97		2.9L 6 Cyl. 24v DOHC EFI	B6304F	Alt. - w/ AC From 1995-96	6PK1630
					Alt. - w/o AC - w/ Man. Ten.	6PK1270
					Alt. - w/o AC - w/ Auto Ten.	6PK1255
C70	1999-04	Convertible	2.3L 5 Cyl. 20v DOHC Turbo EFI	B5234T	Serp. - w/ AC 1999 Model	6DPK1840
					Serp. - w/ AC 2000 Model	6DPK1850
					Serp. - w/ AC 1996 & 1997 Model	6PK1755
					Serp. - w/ AC 1998 Model	6PK1740
					Serp. - w/o AC - w/ Man. Ten. to 12/98	6PK1270
					Serp. - w/o AC - w/ Auto. Ten. to 12/98	6PK1255
					Serp. - w/o 1999 Model	6DPK1825
					Serp. - w/o 2000 Model	6DPK1840
					Tensioner	38190

Model	Year	Variant	Engine	Engine Code	Description	Part Number
VOLVO CONTINUED						
C70	2000-01		2.3L 5 Cyl. 20v DOHC Turbo EFI	B5234T	Serp. - w/ AC 1999 Model	6DPK1840
					Serp. - w/ AC 2000 Model	6DPK1850
					Serp. - w/ AC 1996 & 1997 Model	6PK1755
					Serp. - w/ AC 1998 Model	6PK1740
					Serp. - w/o AC - w/ Man. Ten. to 12/98	6PK1270
					Serp. - w/o AC - w/ Auto. Ten. to 12/98	6PK1255
					Serp. - w/o 1999 Model	6DPK1825
					Serp. - w/o 2000 Model	6DPK1840
					Tensioner	38190
C70	2004-06		2.4L 5 Cyl. 20v DOHC EFI	B5254S	Serp. - w/ AC 1999 & 2000 Model	6DPK1840
					Serp. - w/ AC 1996 & 1997 Model	6PK1755
					Serp. - w/ AC 1998 Model	6PK1740
					Serp. - w/o AC - w/ Auto. Ten.	6PK1255
					Serp. - w/o AC - w/ Man. Ten.	6PK1270
					Tensioner	38190
C70	2004-09		2.5L 5 Cyl. 20v DOHC Turbo EFI	B5254T	Serp. - w/ AC	6DPK1850
					Serp. - w/o AC	6DPK1840
S40	1996-04		1.8L 4 Cyl. 16v DOHC EFI	B4184S	Alt. - w/ AC - to Eng. # 1440994	6PK1755
					Alt. - w/ AC - From Eng. # 1440995 - to 2000	6PK1765
					Alt. - from 2000	6DPK1840
					Serp. - w/o AC - to Eng. # 1440994	6PK1620
					Serp. - w/o AC - From Eng. # 1440995 - to 2000	6PK1625
					Tensioner	38190
S40	1996-04		1.9L 4 Cyl. 16v DOHC MPFI	B4204S	Serp.	6PK1755
					Tensioner	38190
S40	1997-00		1.9L 4 Cyl. 16v DOHC Turbo EFI	B4194T	Serp.	6PK1755
					Tensioner	38190
S40	1997-04		2.0L 4 Cyl. 16v DOHC Turbo EFI	B4204T	Alt. - from 2000	6DPK1840
					Tensioner	38190
S40	2004-07		2.4L 5 Cyl. 20v DOHC EFI	B5244S	Alt.	5PK890
					AC	5PK850
S40	2004-07		2.5L 5 Cyl. 20v DOHC Turbo EFI	B5254T	Alt.	5PK890
					AC	5PK850
S60	2000-02		2.0L 5 Cyl. 16v DOHC Turbo EFI	B5204T	Serp.	6DPK1840
					Tensioner	38190
S60	2000-04		2.3L 5 Cyl. 20v DOHC Turbo EFI	B5234T	Serp.	6DPK1840
					Tensioner	38190
S60	2000-04		2.4L 4 Cyl. 20v DOHC Turbo EFI	B5244T	Serp.	6DPK1840
					Tensioner	38190
S60	2000-09		2.4L 4 Cyl. 20v DOHC EFI	B5244S	Serp.	6DPK1840
					Tensioner	38190
S60	2003-06		2.5L 5 Cyl. 20v DOHC Turbo EFI	B5254T	Serp.	6DPK1840
					Tensioner	38190

* = NZ Vehicles Only

Model	Year	Variant	Engine	Engine Code	Description	Part Number
VOLVO CONTINUED						
S70	1997-00		2.0L 5 Cyl. 20v DOHC Turbo EFI	B5204T	Serp. - w/ AC 1996 & 1997 Model	6PK1755
					Serp. - w/ AC 1998 Model	6PK1740
					Serp. - w/ AC 1999 Model	6DPK1840
					Serp. - w/ AC 2000 Model	6DPK1850
S70	1997-00		2.4L 5 Cyl. 20v DOHC EFI	B5254S	Serp.	6DPK1840
					Tensioner	38190
S70	1997-00		2.5L 5 Cyl. 20v DOHC Turbo EFI	B5254T	Serp. - w/ AC 1996 & 1997 Model	6PK1755
					Serp. - w/ AC 1998 Model	6PK1740
					Serp. - w/ AC 1999 Model	6DPK1840
					Serp. - w/ AC 2000 Model	6DPK1850
					Tensioner	38190
S70	1997-98		2.3L 4 Cyl. 20v DOHC Turbo EFI	B5234T	Serp. - w/ AC 1997 Model	6PK1755
					Serp. - w/ AC 1998 Model	6PK1740
					Serp. - w/o AC - w/ Man. Ten. to 12/98	6PK1270
					Serp. - w/o AC - w/ Auto. Ten. to 12/98	6PK1255
S70	1997-98		2.4L 5 Cyl. 20v DOHC Turbo EFI	B5244T	Tensioner	38190
S70	1998-01		2.4L 5 Cyl. 20v DOHC EFI	B5252S	Serp. - w/ AC 1996 & 1997 Model	6PK1755
					Serp. - w/ AC 1998 Model	6PK1740
					Serp. - w/ AC 1999 Model	6DPK1840
					Serp. - w/ AC 2000 Model	6DPK1850
					Tensioner	38190
S70	1999-00		2.4L 5 Cyl. 20v DOHC EFI	B5244S	Tensioner	38190
S80	1998-05		2.4L 5 Cyl. 20v DOHC EFI	B5244S	Tensioner	38190
S80	1998-05		2.8L 6 Cyl. 24v DOHC Turbo EFI	B6284T	Serp. - to CH #: 44276	6DPK1825
					Serp. - From CH #: 44277	6DPK1840
					Tensioner	38190
S80	1998-05		2.9L 6 Cyl. 24v DOHC EFI	B6294S	Serp. - to CH #: 44276	6DPK1825
					Serp. - From CH #: 44277	6DPK1840
					Tensioner	38190
S80	1998-05		2.9L 6 Cyl. 24v DOHC Turbo EFI	B6294T	Serp. - to CH #: 44276	6DPK1825
					Serp. - From CH #: 44277	6DPK1840
					Tensioner	38190
S80	1998-05		3.0L 6 Cyl. 24v DOHC EFI	B6304S	Serp. - to CH #: 44276	6DPK1825
					Serp. - From CH #: 44277	6DPK1840
					Tensioner	38190
S80	1999-00		2.0L 5 Cyl. 16v DOHC Turbo EFI	B5204T	Tensioner	38190
S80	2003-06		2.5L 5 Cyl. 20v DOHC Turbo EFI	B5254T	Serp. - to CH. # 44276	6DPK1825
					Serp. - From CH. # 44277	6DPK1840
					Tensioner	38190
S90	1997-98		2.9L 6 Cyl. 24v DOHC EFI	B6304F	Serp.	6PK1755
V40	1997-00		1.9L 4 Cyl. 16v DOHC Turbo EFI	B4194T	Serp.	6PK1755
V40	1997-02		2.0L 4 Cyl. 16v DOHC Turbo EFI	B4204T	Serp.	6DPK1840
					Tensioner	38190

* = NZ Vehicles Only

Model	Year	Variant	Engine	Engine Code	Description	Part Number
VOLVO CONTINUED						
V40	1997-04		2.0L 4 Cyl. 16v DOHC EFI	B4204S	Serp.	6PK1755
					Tensioner	38190
					Idler	36216
V40	1998-02		1.8L 4 Cyl. 16v DOHC EFI	B4184S	Tensioner	38190
V50	2004-09		2.4L 5 Cyl. 20v DOHC EFI	B5244S	Alt.	5PK890
					AC	5PK850
V50	2004-09		2.5L 5 Cyl. 20v DOHC Turbo EFI	B5254T	Alt.	5PK890
					AC	5PK850
V70	1997-00		2.0L 5 Cyl. 16v DOHC Turbo EFI	B5204T	Serp. - w/ AC 1996 & 1997 Model	6PK1755
					Serp. - w/ AC 1998 Model	6PK1740
					Serp. - w/ AC 1999 Model	6DPK1840
					Serp. - w/ AC 2000 Model	6DPK1850
					Serp. - w/o AC - w/ Man. Ten. to 12/98	6PK1270
					Tensioner	38190
V70	1997-00		2.5L 5 Cyl. 20v DOHC Turbo EFI	B5254T	Serp. - w/ AC 1996 & 1997 Model	6PK1755
					Serp. - w/ AC 1998 Model	6PK1740
					Serp. - w/ AC 1998-1999 Model	6DPK1840
					Serp. - w/ AC 2000 Model	6DPK1850
					Tensioner	38190
V70	1997-03		2.3L 4 Cyl. 20v DOHC Turbo EFI	B5234T	Serp	6DPK1840
					Tensioner	38190
V70	1997-05		2.4L 5 Cyl. 20v DOHC MPFI	B5254S	Serp. - w/ AC 1996 & 1997 Model	6PK1755
					Serp. - w/ AC 1998 Model	6PK1740
					Serp. - w/ AC - from 1999	6DPK1840
					Tensioner	38190
V70	1997-99		2.4L 5 Cyl. 10v SOHC MPFI	B5252S	Serp. - w/ AC 1996 & 1997 Model	6PK1755
					Serp. - w/ AC 1998 Model	6PK1735
					Serp. - w/ AC 1999 Model	6DPK1840
					Tensioner	38190
V70	1998-05		2.4L 4 Cyl. 20v DOHC Turbo EFI	B5244T	Serp	6DPK1840
					Tensioner	38190
V70	1999-06		2.4L 4 Cyl. 20v DOHC EFI	B5244S	Serp	6DPK1840
					Tensioner	38190
V70	2003-07		2.5L 5 Cyl. 20v DOHC Turbo EFI	B5254T	Serp.	6DPK1840
					Tensioner	38190
V90	1996-98		2.9L 6 Cyl. 24v DOHC EFI	B6304S	Serp. - w/ AC to 1994	6PK1625
					Serp. - w/ AC - from 1995	6PK1630
					Serp. - w/o AC - w/ Man. Ten.	6PK1270
					Serp. - w/o AC - w/ Auto Ten.	6PK1255
XC70	2003-06		2.5L 5 Cyl. 20v DOHC Turbo EFI	B5254T	Serp.	6DPK1840
XC90	2003-07		2.5L 5 Cyl. 20v DOHC Turbo EFI	B5254T	Serp.	6DPK1825
XC90	2003-07		2.9L 5 Cyl. 24v DOHC Turbo EFI	B6294T	Serp.	6DPK1825
YUGO						
45A	1986-89		0.9L 4 Cyl. 8v OHV Carb.	146A(FIAT)	Alt. & WP	11A0825
55A	1986-89		1.1L 4 Cyl. 8v SOHC Carb.	146A(FIAT)	Alt. & WP	11A0825

* = NZ Vehicles Only



38102



38103



38113



38114



38115



38118



38133



38137



38147



38148



38149



38151



38152



38154



38155



38156



38161



38163



38167



38169



38170



38173



38174



38175



38176



38177



38179



38181



38185



38186



38188



38189



38190



38191



38193



38195



38196



38200



38201



38206



38207



38210



38212



38216



38217



38218



38219



38220



38221



38222



38223



38224



38226



38227



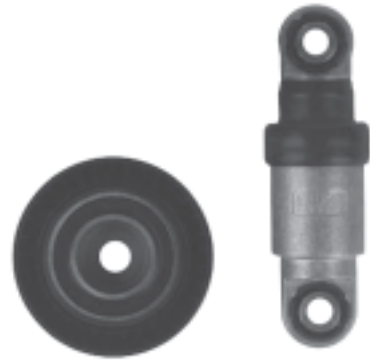
38234



38236



38238



38244



38245



38246



38249



38263



38265



38266



38274



38278



38286



38348



38369



38370



38376



38384



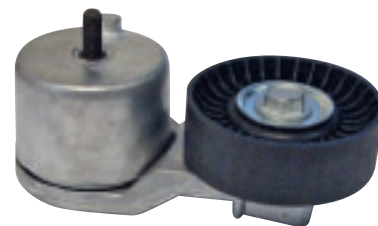
38397



38407



38408



38412



38413



38423



38425



38433



38441



38446



38450



38451



38454



38457



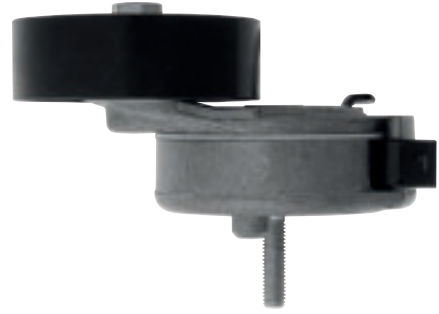
38467



38469



38470



38473



39009



36086
OD:78mm,ID:12mm,Width:20mm



36087
OD:78mm,ID:20mm,Width:20mm



36100
OD:76mm,ID:17mm,Width:29.5mm



36101
OD:70mm,ID:17mm,Width:31mm



36119
OD:102mm,ID:17mm,Width:26mm



36141
OD:76mm,ID:17mm,Width:22mm



36143
OD:90mm,ID:17mm,Width:31mm



36152
OD:70mm,ID:17mm,Width:20.5mm



36156
OD:70mm,ID:17mm,Width:19mm



36172
OD:105mm,ID:20mm,Width:25mm



36173
OD:80mm,ID:10mm,Width:33.5mm



36174
OD:70mm,ID:14mm,Width:33.6mm



36175
OD:70mm,ID:14mm,Width:25mm



36176
OD:60mm,Width:25mm



36190
OD:60mm,ID:10mm,Width:26.5mm



36197
OD:90mm,ID:10mm,Width:31mm



36198
OD:76.5mm,ID:8mm,Width:30.5mm



36199
OD:70mm,ID:10mm,Width:25.5mm



36200
OD:70mm,ID:10mm,Width:25.5mm



36204
OD:70mm,ID:8mm,Width:25.5mm



36206
OD:70mm,ID:10mm,Width:27.5mm



36207
OD:65mm,ID:10mm,Width:25.5mm



36212
OD:114mm,ID:10mm,Width:26mm



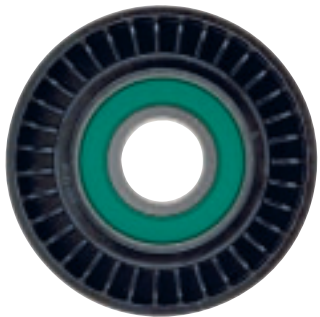
36213
OD:60mm,ID:17mm,Width:31mm



36216
OD:124mm,ID:10mm,Width:26mm



36228
OD:65mm,ID:17mm,Width:22mm



36257
OD:90mm,ID:10mm,Width:31mm



38001
OD:90mm,ID:17mm,Width:30mm



38002
OD:100mm,ID:17mm,Width:30.5mm



38003
OD:94.5mm,ID:12mm,Width:16.5mm



38005
OD:82mm,ID:17mm,Width:30.5mm



38006
OD:76mm,ID:17mm,Width:30.5mm



38007
OD:90mm,ID:17mm,Width:25.5mm



38008
OD:70mm,ID:17mm,Width:34.5mm



38009
OD:76mm,ID:17mm,Width:25mm



38010
OD:90mm,ID:17mm,Width:27mm



38011
OD:82mm,ID:17mm,Width:27mm



38012
OD:90mm,ID:17mm,Width:32mm



38015
OD:76mm,ID:17mm,Width:25mm



38017
OD:90mm,ID:17mm,Width:22mm



38018
OD:70mm,ID:17mm,Width:25mm



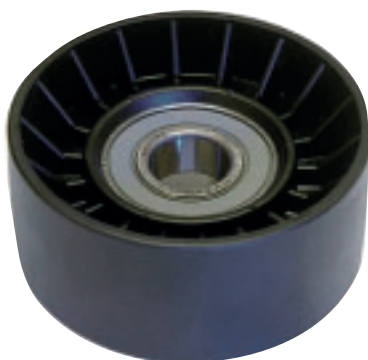
38019
OD:90mm,ID:17mm,Width:26.3mm



38020
OD:90mm,ID:12mm,Width:30.5mm



38022
OD:90mm,ID:17mm,Width:37mm



38023
OD:76mm,ID:17mm,Width:34mm



38024
OD:109mm,ID:17mm,Width:26.3mm



38026
OD:100mm,ID:17mm,Width:28mm



38027
OD:82mm,ID:17mm,Width:25mm



38028
OD:76mm,ID:17mm,Width:37mm



38029
OD:127mm,ID:17mm,Width:26mm



38030
OD:70mm,ID:17mm,Width:20.5mm



38031
OD:70mm,ID:12mm,Width:20.5mm



38032
OD:76mm,ID:17mm,Width:22mm



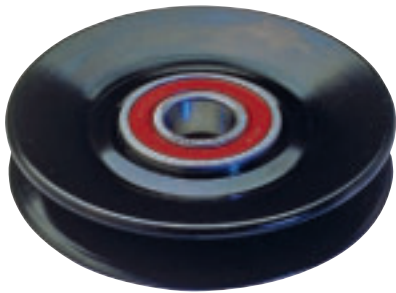
38033
OD:90mm,ID:17mm,Width:33mm



38036
OD:81mm,ID:12mm,Width:17.5mm



38037
OD:81mm,ID:17mm,Width:18mm



38038
OD:94mm,ID:17mm,Width:19mm



38041
OD:76mm,ID:17mm,Width:30.5mm



38042
OD:90mm,ID:10mm,Width:30mm



38043
OD:76mm,ID:10mm,Width:30mm



38044
OD:80mm,ID:17mm,Width:21.8mm



38045
OD:70mm,ID:24mm,Width:28mm



38046
OD:80mm,ID:24mm,Width:27mm



38047
OD:70mm,ID:14.5mm,Width:31.5mm



38048
OD:80mm,ID:14.5mm,Width:31.5mm



38053
OD:76mm,ID:17mm,Width:38mm



38055
OD:78mm,ID:17mm,Width:25mm



38064
OD:70mm,ID:24mm,Width:28mm



38066
OD:70mm,ID:24mm,Width:28mm



38068
OD:60mm,ID:10.2mm,Width:22.5mm



38069
OD:80mm,ID:10mm,Width:25mm



38070
OD:80mm,ID:8mm,Width:21mm



38071
OD:70mm,ID:10mm,Width:24.5mm



38074
OD:80mm,ID:12.2mm,Width:25mm



38077
OD:80mm,ID:17mm,Width:25mm



38078
OD:90mm,ID:24.5mm,Width:27.5mm



38081
OD:80mm,ID:8mm,Width:25mm



38083
OD:64mm,ID:8.2mm,Width:23mm



38093
OD:80mm,ID:24mm,Width:27mm

OEM No.	Description	Gates No.
021145299B	Tensioner	38175
021145299C	Tensioner	38175
022145299C	Tensioner	38450
037903315B	Tensioner	38147
037903315C	Tensioner	38147
04668509ac	Tensioner	38176
04854089A	Pulley	38018
04854089A	Tensioner	38163
058903133B	Tensioner	38151
058903133C	Tensioner	38151
058903133D	Tensioner	38151
06A903315D	Pulley	38018
06A903315D	Tensioner	38148
06A903315E	Pulley	38018
06A903315E	Tensioner	38148
06E903133A	Tensioner	38423
06E903133B	Tensioner	38423
06E903133E	Tensioner	38423
077903133F	Tensioner	38451
10044867	Pulley	38009
10051576	Pulley	38020
10055798	Pulley	38006
10055798	Tensioner	38118
10070000	Pulley	38001
10070108	Pulley	38009
10105371	Pulley	38006
10105371	Tensioner	38118
10115874	Pulley	38001
10115875	Pulley	38009
10118767	Pulley	38009
10129558	Pulley	38001
10129561	Pulley	38001
10129569	Pulley	38001
10179211	Pulley	38001
10183939	Pulley	38006
10183939	Tensioner	38118
10186174	Pulley	38009
10237275	Pulley	38008
10237275	Tensioner	38103
10237366	Pulley	38001
10239670	Pulley	38008
10239670	Tensioner	38103
10239930	Pulley	38008
1049577	Pulley	36199
1072321	Pulley	36175
1112807	Pulley	36175
1114544	Pulley	36199
1119938	Pulley	36198
1122000370	Tensioner	38174
1122000870	Tensioner	38174
11231721204	Pulley	38045
11231721204	Pulley	38066
1134084	Pulley	36200
1135627	Pulley	36198
1139951	Pulley	36175

OEM No.	Description	Gates No.
1175000QAR	Tensioner	39009
1175000QAU	Tensioner	39009
119251M203	Pulley	38027
1194503G00	Pulley	38037
1194535510	Pulley	38037
1194731U05	Pulley	36087
11955BN701	Tensioner	38469
11955EA200	Tensioner	38378
1206990	Tensioner	38369
12456152	Pulley	38008
12456152	Tensioner	38103
12537144	Pulley	38001
12550377	Pulley	38008
12552361	Pulley	38001
12555244	Pulley	38001
12555245	Pulley	38001
12555423	Pulley	38008
12555424	Pulley	38008
12555609	Pulley	38001
12556504	Pulley	38020
12556612	Pulley	38008
12557682	Pulley	38006
12557819	Pulley	38001
12557838	Pulley	38006
12558520	Pulley	38006
12558520	Tensioner	38118
12559325	Pulley	38008
12560344	Pulley	38008
12560344	Tensioner	38195
12560345	Tensioner	38196
12561092	Pulley	38006
12561092	Tensioner	38118
12561094	Pulley	38008
12561094	Tensioner	38103
12562065	Pulley	38159
12562347	Pulley	38006
12564506	Pulley	38006
12564508	Pulley	38006
12568181	Pulley	38008
12575509	Tensioner	38397
12580296	Pulley	38008
12580296	Tensioner	38103
12580771	Pulley	38001
12580773	Pulley	38001
1340827	Pulley	36212
1374385	Pulley	36198
1387066	Pulley	36204
14055164	Pulley	38006
14078850	Pulley	38001
14084312	Pulley	38006
15001551	Pulley	38006
15662645	Pulley	38001
1626710	Pulley	38006
1636207	Pulley	38006
1660331010	Pulley	36174

OEM No.	Description	Gates No.
1660431010	Pulley	36173
166200W036	Tensioner	38173
1662022011	Tensioner	38286
1662028011	Tensioner	38216
1662028011	Tensioner	38216
16620-28011	Tensioner	38216
1754077	Pulley	38010
1754077	Tensioner	38156
1754077EA1	Pulley	38010
1754077EA1	Tensioner	38156
1L2E19A216AB	Pulley	38022
1L2E19A216AC	Pulley	38001
1L2Z8678AB	Pulley	38001
1L5E6B209AB	Pulley	38008
1L5E6B209AB	Tensioner	38137
1L5E6B209AC	Pulley	38008
1S7Q19A216AB	Pulley	36198
1S7Q19A216AC	Pulley	36198
1S7Q19A216AC	Pulley	38006
1S7Q19A216AD	Pulley	36198
1X4E19A216DA	Pulley	38006
22527750	Pulley	38001
231293F000	Pulley	38027
24430296	Tensioner	38177
24502989	Pulley	38009
24502990	Pulley	38006
24504322	Pulley	38006
24506508	Pulley	38006
24506699	Pulley	38006
24507460	Pulley	38006
24508594	Pulley	38006
24508595	Pulley	38006
2528127000	Tensioner	38454
2528127001	Tensioner	38454
2528127010	Tensioner	38454
2528127060	Tensioner	38454
2528137101	Pulley	38027
2528137101	Tensioner	38149
25281-37101	Tensioner	38149
2528137120	Pulley	38027
2528137120	Tensioner	38149
25281-37120	Tensioner	38149
2528637100	Pulley	38027
2528727001	Pulley	36206
2528737101	Pulley	38027
2528737120	Pulley	38027
2528737120	Tensioner	38149
25530076	Pulley	38005
25530872	Pulley	38001
25532290	Pulley	38005
2F1Z6B209BA	Tensioner	38114
2F2E6C348AA	Pulley	38001
2F2E6C348AB	Pulley	38001
30623983	Pulley	36176
30637141	Tensioner	38190

OEM No.	Description	Gates No.
30638631	Pulley	36176
30652243	Pulley	36176
30757057	Tensioner	38190
30852898	Tensioner	38457
30883834	Pulley	36176
31170P8AA01	Pulley	38001
31170P8AA01	Tensioner	38169
31170P8CA01	Pulley	38001
31170P8CA01	Tensioner	38169
31170P8FA01	Pulley	38001
31170P8FA01	Tensioner	38169
31170PNA003	Tensioner	38278
31170PNA013	Tensioner	38278
31170PNA023	Tensioner	38278
31180P8AA01	Pulley	38001
31180P8CA01	Pulley	38001
31180P8FA01	Pulley	38001
31180PCX003	Pulley	36100
31251250	Tensioner	38190
3540047	Pulley	38006
3804188	Tensioner	36228
38942P3F003	Pulley	38030
38942PH3003	Pulley	38031
38942PM3000	Pulley	38030
3L2E6C348AA	Pulley	38001
4237038	Pulley	38081
4356119	Tensioner	38470
4356127	Pulley	38083
4483214	Tensioner	38113
4536173	Pulley	38042
4612889AAC	Tensioner	38113
4612894	Tensioner	38113
4612894AB	Tensioner	38113
4612894AC	Tensioner	38113
461289AAB	Tensioner	38113
461289AAC	Tensioner	38113
461289AB	Tensioner	38113
4615894AB	Tensioner	38113
461589AB	Tensioner	38113
4668588AA	Pulley	36156
46754624	Tensioner	38370
4792112	Pulley	38042
4792112AD	Pulley	38042
4792112AE	Pulley	38042
4854089AB	Pulley	38018
4854089AB	Tensioner	38163
4861277AB	Pulley	38018
4901625	Pulley	38077
4S7Q19A216JA	Pulley	36204
5281007	Pulley	38042
53002905	Pulley	38042
55190053	Tensioner	38473
55193330	Tensioner	38370
55350422	Tensioner	38433
55350960	Pulley	36212

OEM No.	Description	Gates No.
55556090	Tensioner	38433
575197	Tensioner	38446
575198	Pulley	36190
5751A2	Tensioner	38446
5751C9	Pulley	36190
5751G3	Pulley	36190
58903133	Tensioner	38151
60604903	Tensioner	38473
60624147	Tensioner	38473
60671789	Pulley	36207
60813307	Tensioner	38473
6340551	Pulley	36212
6340551	Pulley	36212
6340552	Tensioner	38433
6340558	Tensioner	38433
6577227	Tensioner	38467
6682020419	Pulley	36257
6710259	Tensioner	38467
7109163	Pulley	36175
7158445	Pulley	36197
73131AC000	Pulley	38030
73131AC010	Pulley	38030
73131FC000	Pulley	38030
73502730	Tensioner	38370
7700102395	Tensioner	38457
7700102931	Pulley	36176
7700116130	Tensioner	38348
77903341	Pulley	38093
8073465	Tensioner	38505
8079517	Tensioner	38505
8102396700	Pulley	38008
8102399300	Pulley	38008
8149798	Tensioner	38531
8200048486	Tensioner	38469
8200104754	Pulley	36176
8200104754	Pulley	36176
8200170009	Pulley	36194
8200226495	Tensioner	38348
8200285009	Pulley	36213
8200360524	Tensioner	39009
8200429703	Tensioner	38348
8200460446	Tensioner	39009
8200608550	Tensioner	39009
8200612619	Tensioner	39009
8200641468	Pulley	36194
8844035010	Pulley	38036
88920950	Pulley	38008
8905002290	Tensioner	38200
8971303590	Pulley	38008
8972219430	Pulley	38008
90411025	Pulley	38213
90412884	Tensioner	38369
90500229	Tensioner	38154
90502129	Tensioner	38154
90502129	Tensioner	38200

OEM No.	Description	Gates No.
90529913	Pulley	36212
90571758	Tensioner	38212
9157962	Pulley	38009
92038636	Pulley	38001
92048387	Pulley	38001
92049003	Pulley	38019
92053779	Pulley	38006
92063903	Pulley	38006
92082702	Tensioner	38210
92111701	Tensioner	38195
928F6A228AB	Tensioner	38467
93BB19A216AD	Pulley	36197
9458470	Pulley	36216
9497331	Tensioner	38190
94DA-6B209-AA	Tensioner	38227
95WF19A216AC	Pulley	36175
95WF19A216AD	Pulley	36175
96183115	Tensioner	38376
96184932	Tensioner	38200
96298799	Tensioner	38200
96349976	Pulley	36101
96349976	Tensioner	38376
96351533	Tensioner	38376
9638976580	Tensioner	38446
96459042	Pulley	36152
9649675880	Tensioner	38446
9684015280	Pulley	36190
97221943	Pulley	38008
97222021	Pulley	38006
9783422100	Pulley	36086
97BB6A229AG	Pulley	38008
97BB6A229AG	Tensioner	38188
98BB19A216AA	Pulley	36199
98BB19A216AB	Pulley	36199
98BB19A216AC	Pulley	36199
AJ0315980A	Pulley	38006
AJ0315980B	Pulley	38006
AW337086	Pulley	38031
AW337095	Pulley	38031
BA6B209AC	Pulley	38015
BA6B209AC	Tensioner	38412
BA8A617A	Pulley	38009
BA-8A617-A	Pulley	38009
E43Z6B217A	Pulley	38006
E8TZ6B209A	Tensioner	38115
E8TZ6B209DA	Tensioner	38115
EA19W653A	Pulley	38001
EA3T505A	Pulley	38037
EF6B209A	Tensioner	38227
EF6B2217A	Pulley	38006
EF6T217A	Pulley	38009
EF8509A	Pulley	36172
ERR3440	Tensioner	38246
ERR3562	Tensioner	38245
ERR4708	Tensioner	38425

OEM No.	Description	Gates No.
ERR6439	Tensioner	38245
F02Z6C348A	Pulley	38005
F02Z8678A	Pulley	38006
F1PY8679A	Pulley	38006
F1VY8678A	Pulley	38006
F23E6B209CE	Tensioner	38168
F23Z6B209A	Tensioner	38168
F23Z6C348A	Pulley	38005
F27A6B209FA	Tensioner	38114
F2TA6B209DA	Tensioner	38115
F2TZ6B209B	Tensioner	38114
F2TZ6B209C	Tensioner	38115
F2UA6B209AB	Tensioner	38115
F2UA6B209CA	Tensioner	38115
F2UZ6B209A	Tensioner	38115
F2UZ6B209B	Tensioner	38115
F37Z6B209A	Pulley	38008
F3AZ8678A	Pulley	38006
F3DE6B209AB	Tensioner	38114
F3DZ6B209C	Tensioner	38114
F3TZ6B209C	Pulley	38008
F43E19A206BA	Pulley	38001
F47E6B209AA	Pulley	38008
F4DZ6C348C	Pulley	38005
F4SE6B209EA	Pulley	38023
F4SE6B209FA	Pulley	38023
F4SZ6B209A	Pulley	38023
F4SZ6B209D	Pulley	38023
F4SZ6C348A	Pulley	38001
F4TE6B209AA	Pulley	38008
F59E6B209AB	Tensioner	38114
F59Z6B209A	Tensioner	38114
F5RZ6C348B	Pulley	38001
F5TE19A216CA	Pulley	38022
F5TZ6B209BA	Tensioner	38115
F5TZ8678E	Pulley	38022
F65Z68209BA	Pulley	38026
F65Z6B209AB	Pulley	38023
F65Z6B209AB	Tensioner	38133
F65Z8678AA	Pulley	38022
F65Z8678AAA	Pulley	38022
F6AE19A216BA	Pulley	38006
F6DE6B209AB	Tensioner	38114
F6DE6B209AE	Tensioner	38114
F6DZ6B209A	Tensioner	38114
F6PZ8678AB	Pulley	38022
F6TE19A216GA	Pulley	38022
F6TZ6B209A	Pulley	38023
F6TZ6B209A	Tensioner	38133
F6TZ8678GA	Pulley	38022
F75Z6B209DA	Pulley	38023
F75Z6B209DA	Tensioner	38133
F75Z8678AA	Pulley	38001
F75Z8678AB	Pulley	38001
F77E6B209AA	Pulley	38008

OEM No.	Description	Gates No.
F77Z6B209AA	Pulley	38008
F79E6B209AA	Tensioner	38114
F79E6B209AB	Tensioner	38114
F79Z6B209AA	Tensioner	38114
F7AE19A216AA	Pulley	38006
F7CE6C348AA	Pulley	38001
F7CZ6C348AA	Pulley	38001
F7PZ8678AA	Pulley	38022
F8CZ6C348AA	Pulley	38008
F8DE6B209AB	Tensioner	38114
F8DZ6B209AA	Tensioner	38114
F8KE19A216AD	Pulley	38006
F8KZ8678AA	Pulley	38006
F8RZ6A228AA	Pulley	38008
F8RZ6A228AA	Tensioner	38188
F8RZ6A228BA	Pulley	38008
F8RZ6A228BA	Tensioner	38188
F8RZ8678AA	Pulley	38001
F8TE6B209BC	Pulley	38023
F8TZ6B209A	Tensioner	38115
K8051594YB	Tensioner	36228
L32115980A	Tensioner	38408
L32115980A	Tensioner	38408
LF32115980A	Tensioner	38408
MN149179	Tensioner	38413
PQG100180	Tensioner	38441
PQG100180A	Tensioner	38441
W201-12-700	Tensioner	38155
XF2E6B209AD	Pulley	38008
XF2Z6B209AA	Pulley	38008
XL3Z6B209DA	Pulley	38023
XL3Z6B209DA	Tensioner	38133
XW4Z8678CA	Pulley	38001
XW4Z8678DA	Pulley	38001
YF1E6B209AB	Tensioner	38114
YF1Z6B209AA	Tensioner	38114
YL2Z6B209AA	Pulley	38008
YL2Z6B209AA	Tensioner	38137
YS4E19A216AA	Pulley	36175
YS4E19A216AB	Pulley	36175
YS4E19A216BA	Pulley	36200
YS4E19A216BA	Pulley	36200
YS4E19A216BB	Pulley	36200
YS4E19A216BB	Pulley	36200
YS4Z6A228AA	Pulley	38008
YS4Z6A228AA	Tensioner	38188
YZ4Z6A228AA	Pulley	38008
YZ4Z6A228AA	Tensioner	38188
ZF2E6B209AC	Pulley	38008
ZZM215970	Pulley	38001
ZZM415980	Pulley	38006
ZZP032700	Pulley	38001

OEM No.	Gates No.
0000323580	13A1450
0000323722	13A1225
0000323786	13A1450
0000323804	13A1525
0000323948	13A1450
0003177V003000000	4PK790
0003190V005000000	3PK855
0004225393	11A0850
0007753012500	13A0750
0009931995	13A0950
0009932096	5PK1755
0009932396	5PK1210
0009932496	5PK915
0009932996	5PK1790
0009933396	4PK790
0009933796	6PK2370
0009933896	6PK2430
0009936696	7PK2315
0009936796	7PK2415
0009937696	7PK2365
0009970892	11A0940
0009972492	11A0850
0009973592	11A0850
0009975192	13A0975
0009975492	13A1000
0009975892	13A0950
0009975992	11A0875
0009976892	11A0950
0009977092	13A1030
0009977192	11A0925
0009977292	11A0775
0009977392	11A0965
0009977592	11A0915
0009978192	13A1425
0009978392	11A0925
0009978692	13A1250
0009978892	13A1325
0009978992	13A1450
0009979892	13A1300
0018907V001000000	4PK790
0018908V001000000	3PK855
0019930796	4PK800
0019931896	6PK2400
0019933096	5PK1755
0019933496	6PK2150
0019934496	4PK800
0019937596	7PK2035
0019937796	5PK1755
0019937896	6PK2325
0019938396	6PK2365
0019971192	13A1550
0019971592	13A1325
0019972392	13A1325
0019972592	13A1400

OEM No.	Gates No.
0019972692	13A1000
0019972892	11A0800
0019973292	13A1500
0019973692	13A1375
0019973792	11A0900
0019974092	13A0975
0019974192	13A0775
0019974592	11A0875
0019975092	13A1400
0019975592	13A1125
0019975692	13A1475
0019975892	13A1350
0019976092	13A0975
0019976492	13A0750
0019976792	13A1375
0019976892	13A1125
0019976992	13A1475
0019977292	13A1475
0019977492	13A1525
0019977692	13A1200
0019978092	13A0875
0019978692	13A1125
0019979092	13A1500
0019979492	13A1100
0019979792	13A1525
0023223073	11A1500
0023223078	13A1100
0023223091	13A0900
0023223095	10A1150
0023223097	11A1295
0023223105	11A0775
0023223112	11A1180
0023223131	13A1300
0023223139	13A0925
0023223140	13A1275
0023223142	13A1475
0023223148	13A1675
0023223154	13A1450
0023223156	11A0915
0023223157	11A0985
0023223161	11A0940
0023245089	11A0990
0023255089	11A0990
0023255179	13A1125
0026169000	11A0900
0029933096	6PK2385
0029970492	13A1325
0029970692	10A1010
0029970892	11A0940
0029970992	11A0940
0029971092	11A0950
0029971992	13A1000
0029972592	13A0850
0029972692	13A0925

OEM No.	Gates No.
0029973092	13A0850
0029973292	11A1225
0029973392	13A1300
0029973592	13A0900
0029973892	13A1030
0029974492	13A1350
0029974692	13A1125
0029974892	13A0775
0029975092	11A1180
0029975292	13A0950
0029975392	13A0825
0029975492	13A1100
0029975992	13A1425
0029976292	10A1150
0029976792	13A0925
0029976892	13A1150
0029977592	13A1525
0029977692	10A1150
0029978392	11A0925
0029978592	13A1125
0029978692	13A0825
0029979092	13A1150
0029979492	13A0775
0029979592	11A0965
0029979892	13A1225
0029979992	13A1375
0034296400	13A0925
0034463900	13A1030
0034463992	13A1030
0034464000	13A1275
0034520200	13A1325
0034525100	13A1175
0034525191	13A1175
0034939800	13A1225
0035083300	13A0825
0035591800	11A1450
0035591892	11A1450
0035627800	13A1250
0035627900	13A1350
0035649490	13A1350
0035726300	13A1300
0036796100	13A1350
0036796200	13A1325
0038445003	13A1600
0039970192	13A1030
0039970392	13A1350
0039970592	13A1150
0039970692	13A1150
0039970792	13A1250
0039971292	13A2015
0039971992	13A1375
0039972392	13A1475
0039972592	11A0915
0039972692	13A1200

OEM No.	Gates No.
0039972992	13A1475
0039973092	13A1525
0039973192	13A1500
0039973392	13A1325
0039973492	11A0940
0039973592	11A0985
0039974192	13A1650
0039974392	13A1400
0039974592	11A1205
0039974892	13A1950
0039974992	13A1950
0039975092	13A1000
0039975392	13A1300
0039975492	13A1475
0039975592	11A0915
0039975692	13A1400
0039975792	13A1200
0039975892	13A1900
0039975992	13A1200
0039976092	13A1900
0039976292	13A1325
0039976892	11A0965
0039976992	13A1150
0039977392	13A1900
0039977492	13A1200
0039977792	13A1325
0039978292	13A0850
0039978692	13A1950
0039979592	11A1180
0049970192	13A1300
0049970292	13A1300
0049970592	13A0950
0049970892	11A0925
0049971292	13A1275
0049971392	13A1450
0049971792	13A1325
0049972792	13A1805
0049973092	13A1725
0049973192	13A1950
0049973392	13A1350
0049973592	13A0875
0049973692	13A0975
0049973892	13A1030
0049973992	11A1030
0049974092	13A1375
0049975892	13A1475
0049975992	13A1475
0049976192	13A1625
0049976392	13A1425
0049976992	13A1125
0049977292	13A2015
0049977492	13A0875
0049977792	11A0940
0049977992	13A1350

OEM No.	Gates No.
0049978092	11A0965
0049978492	13A1150
0049978592	10A1010
0049978792	11A0940
0049978892	13A1325
0049979092	13A1525
0049979392	13A0925
0049979492	13A0875
0049979592	13A0750
0049979992	13A1150
005435171	4PK950
005435174	6PK1675
0059970192	13A0875
0059970892	13A0900
0059970992	13A0925
0059971092	13A0950
0059971192	13A0950
0059971292	13A1050
0059971392	13A1100
0059971792	13A1125
0059971992	13A1275
0059972092	13A1350
0059972792	13A1550
0059972792	13A1575
0059972892	13A1575
0059973092	13A1700
0059973992	13A1375
0059974192	13A1750
0059974492	13A1050
0059975392	13A1000
0059975892	11A0925
0059976092	13A1175
0059976292	13A0825
0059976692	10A1010
0059976792	10A1010
0059976892	13A1000
0059976992	13A1030
0059977192	13A1030
0059977192	13A1020
0059977692	13A0900
0059977892	11A1145
0059978292	13A0875
0059978392	11A0875
0059979592	11A1105
0059979892	13A1275
0059979992	13A1275
0060512902	11A0785
0060513478	5PK1105
0069970592	13A0975
0069970792	10A1010
0069970992	13A0750
0069971092	13A1030
0069971292	13A0875
0069971592	10A1150

OEM No.	Gates No.
0069971592	11A1145
0069971692	13A1000
0069971892	11A0965
0069972092	13A1175
0069972192	13A1175
0069972492	11A0750
0069972592	11A0950
0069972692	11A0990
0069972892	11A1225
0069973092	11A0985
0069973292	11A0940
0069973692	13A0825
0069976092	11A1105
0069976392	13A0925
0069976492	13A0875
0069976892	13A0825
0069977192	13A1375
0069977492	13A0900
0069977792	11A0915
0069978492	11A1105
0069979292	11A0985
0069979392	13A1450
0069979792	13A1030
0069979992	13A0900
0070070	13A1150
0070105	13A1200
0071802899	13A1350
007234	13A1250
007237	13A1275
00750-18-381C	13A1125
0075221945	13A1375
0075221958	11A1450
00775	13A1325
0077530012500	13A1375
007753009502	11A0750
007753009502	11A0900
007753009504	11A0850
007753009507	11A0925
007753012500	13A0750
007753012504	13A0975
007753012505	13A1000
007753012508	13A1085
007753012510	13A1125
007753012511	13A1200
007753012514	13A1325
007753012515	13A1325
007753012519	13A1425
007753012520	13A1450
007753012521	13A1475
007753012523	13A1500
007753012529	13A1700
007753012530	13A1750
007753012533	13A1900
007753012540	13A1250

OEM No.	Gates No.
007753012550	13A1375
007753012558	13A0825
007753012559	13A0875
007753012560	13A1840
007753109507	11A0915
007753112501	13A1750
007753112504	13A1475
0079970392	13A1030
0079971092	13A1450
0079971492	11A0915
0079971692	13A1030
0079971892	11A0985
0079972692	11A0985
0079974592	13A1575
0079974992	13A1100
0079976492	13A1950
0079976592	13A1950
0079977692	11A1105
0079978092	6PK1980
0079978192	6PK2325
0079978292	6PK2250
0079978492	6PK2125
0079979092	6PK1015
0079979492	6PK1015
0089970192	6PK2030
0089970992	6PK2080
0089971792	6PK2170
0089971892	6PK2260
0089972192	6PK2080
0089972692	6PK2080
0089973292	6PK1015
0089973392	6PK2055
0089973492	6PK2125
0089973592	6PK2030
0089973692	6PK2100
0089973692	6PK2080
0089973792	6PK2080
0089973892	6PK2150
0089974292	13A0950
0089974892	13A0950
0089976392	6PK2030
0089976692	13A0710
0089976992	6PK2170
0089977092	6PK2260
0089977192	6PK1015
0089977292	6PK1885
0089977392	6PK1980
0089978792	6PK2200
0089978892	6PK2275
0089979092	6PK1995
0089979292	6PK2055
0089979792	13A2015
0099970292	11A0990
0099970392	10A1010

OEM No.	Gates No.
0099971392	6PK1840
0099971392	6PK1855
0099971692	6PK2415
0099971792	6PK2365
0099971892	6PK2440
0099974392	13A1475
0099975292	11A0990
0099975392	10A1010
0099975492	6PK2170
0099975892	6PK2460
0099976592	13A1350
0099976692	13A1375
0099976792	13A1400
0099976892	13A1030
0099976992	13A1030
0099977092	13A1050
0099977192	13A1050
0099977692	13A1300
0099977892	13A1325
0099979192	6PK2150
0099979492	6PK1955
00A260849	6PK2200
00A903137	6PK2080
0109970592	6PK2050
0109970692	6PK2135
0109972092	13A1030
0109973792	13A1450
0109974392	6PK2530
0109974892	6PK2080
0109975792	6PK2325
0109975892	6PK2415
0109975992	6PK2170
0109976292	6PK2050
0109976392	6PK2440
0109977092	6PK2050
0109977092	6PK2055
0109977192	6PK2050
0109977292	6PK2325
0109977492	6PK2530
0109977892	6PK2530
0109977992	6PK2135
0109978192	6PK2415
0109978392	6PK2440
0109978692	6PK2135
0109978792	6PK2250
0109978892	6PK2230
0109978992	6PK2480
0109979192	6PK2190
0109979892	6PK2590
0119970192	6PK1775
0119970292	6PK1865
0119970492	6PK2325
0119970592	6PK2415
0119970692	6PK2440

OEM No.	Gates No.
0119970992	6PK2515
0119971592	6PK2080
0119971892	6PK2055
0119971992	6PK2150
0119972092	6PK2080
0119972192	6PK2200
0119972992	6PK2530
0119973092	6PK2460
0119973192	13A0975
0119973392	6PK1335
0119973492	6PK2385
0119973692	6PK1755
0119973792	6PK1865
0119973892	6PK2125
0119974292	6PK2050
0119974592	6PK2515
0119974692	6PK2430
0119974792	6PK2415
0119974892	6PK2125
0119974992	6PK2210
0119975292	6PK2150
0119975392	6PK1995
0119975492	6PK2050
0119975592	6PK2200
0119975792	7PK1350
0119975892	6PK1335
0119976592	6PK2250
0119976792	6PK2590
0119976892	6PK2530
0119976992	7PK1285
0119977192	7DPK1360
0119978092	6PK2125
0119978292	6PK2365
0119978492	6PK2070
0119978592	6PK2125
0119978692	6PK2325
0119978792	6PK2385
0119979192	5PK1295
0119979292	5PK1755
0119979392	5PK1295
0119979492	5PK1755
0119979692	6PK2325
0119979792	6PK2385
0125130707	6PK2500
0129970092	5PK1270
0129970192	5PK1720
0129970592	6PK2190
0129970692	6PK2160
0129970792	6PK2275
0129970892	6PK2230
0129971592	6PK2055
0129973592	6PK2325
0129973692	6PK2385
0129973992	5PK775

OEM No.	Gates No.
0129974292	6PK2080
0129974392	6PK2160
0129975492	6PK1355
0129975592	6PK1355
0129975892	6PK2030
0129975992	6PK1775
0129977092	6PK2385
0129977492	5PK1270
0129977592	5PK1720
0139971492	5PK1295
0139971592	5PK1755
0139972292	6PK2190
0139972392	6PK2260
0139972592	6PK2080
0139972692	6PK2160
0139974092	6PK2030
0139974192	6PK2125
0139974492	7PK2285
0139974592	6PK2135
0139974792	6PK1865
0139974892	6PK1865
0139975092	7PK2275
0139977192	7PK2345
0139977392	7PK2315
0139977492	7PK2415
0139978292	13A0950
0139978392	7PK2345
0139978792	6PK2370
0139979692	13A0925
0149970492	6PK2275
0149970692	6PK2260
0149970892	6PK2080
0149970992	6PK2190
0149971092	6PK2250
0149971092	6PK2230
014997109264	6PK2250
0149971192	6PK2160
0149971392	5PK1260
0149971592	7PK2275
0149971692	7PK2285
0149971792	6PK2260
0149971892	6PK1600
0149973292	5PK1295
0149973392	5PK1755
0149973792	7PK2330
0149977192	6PK2385
0159970292	6PK2250
0159970392	7PK2275
0159972592	6PK2400
0159974792	5PK1305
0159974892	5PK1755
01978-10924	13A0925
01978-10934	13A0950
01978-10944	13A0950

OEM No.	Gates No.
01978-10964	13A0975
01978-10994	13A1000
01978-11004	13A0975
01978-11264	13A1275
01978-11514	13A1500
0199977492	7PK2415
021145933	7DPK1360
021145933A	7PK1285
021145933B	7PK1285
021145933C	7PK1285
021145933D	7DPK1360
021145933G	7PK1285
021145933H	7DPK1360
021145933K	7DPK1400
021145933P	7DPK1360
02117-01023	13A1015
02117-04023	13A1050
02117-04523	13A1050
02117-07020	13A1085
02117-07023	13A1085
02117-07023KE	13A1085
02117-08523	13A1100
02117-11022	13A1125
02117-11023	13A1125
02117-12523	13A1125
02117-14523	13A1150
02117-15023	13A1150
02117-16023	13A1150
02117-24523	13A1255
0211740023	13A1400
02117-40023	13A1410
0211743523	13A1475
02117-44023	13A1425
02117-44523	13A1425
02117-75523	13A0750
02117-76023	13A0750
02117-77523	13A0775
02117-78013	11A0785
02117-78513	11A0785
02117-79523	13A0800
02117-80523	13A0800
02117-80528	13A0800
02117-82023	13A0825
02117-82026	13A0825
02117-84523	13A0825
02117-84523	13A0850
02117-86523	13A0850
02117-87023	13A0875
02117-87026	13A0875
02117-88023	13A0875
02117-88523	13A0900
02117-90013	11A0900
02117-90023	13A0900
02117-90513	11A0900

OEM No.	Gates No.
02117-90523	13A0900
02117-90525	13A0900
02117-90526	13A0900
02117-91023	13A0900
02117-91523	13A0925
02117-92023	13A0925
02117-92023TM	13A0925
02117-92033	13A0925
02117-92523	13A0925
02117-92523TM	13A0925
02117-93523	13A0900
02117-94513	11A0950
02117-95013	11A0950
02117-95023	13A0950
02117-99023	13A1000
021903137A	11A0965
022145933AG	6PK1620
022145933AP	6PK1620
022145933F	7PK1285
022145933G	6DPK1320
022145933H	6PK1270
022145933N	6PK1245
022145933T	6PK1620
022218381	13A0850
022218381A	13A0850
023145271	11A0865
023145271B	11A0865
023260849	13A1325
023903137A	11A1075
023903137C	11A1145
023903137E	13A1275
023903137H	11A1145
024918381B	10A1010
025260849B	13A1150
0252791	13A1550
025903137A	11A1105
025903137B	11A1075
025903137E	11A1105
026145271	11A0735
026145271B	11A0760
026260849A	13A0800
026903137C	11A0950
027903137A	11A0865
028145271F	11A0900
028145271G	11A0725
028145271G	11A0735
028145271H	11A0785
028145271K	11A0725
028145271K	11A0735
028145271L	11A0785
028260849A	6PK1180
028260849D	6PK1145
028260849F	6PK1180
028260849H	6PK1180

OEM No.	Gates No.
028260849J	6PK1145
028260849L	6PK1145
028260849N	6PK1145
028903137	11A0925
028903137AA	6PK925
028903137AD	6PK925
028903137AJ	5PK1590
028903137AK	6PK890
028903137AL	5PK1210
028903137AM	6PK925
028903137AP	5PK1210
028903137AR	5PK1590
028903137AS	6PK1050
028903137B	6PK1040
028903137BB	6PK1040
028903137C	11A0985
028903137E	11A0985
028903137G	6PK925
028903137K	6PK890
028903137L	11A0785
028903137T	6PK1040
029018381B	13A0950
030145933	6PK1105
030145933AB	6PK750
030145933AC	6PK1700
030145933AQ	6PK1700
030145933E	6PK1065
030145933G	6PK1065
030145933K	6PK1085
030145933L	6PK1065
030145933M	6PK1065
030145933R	6PK1065
030145933T	6PK1065
030518381A	13A0975
0305-18-381A	13A0975
030579252	13A0925
0305-79-252	13A0925
030768	11A0865
030903137AB	6PK750
030903137E	11A0710
030903137K	6PK730
030903137T	6PK750
032145933	6PK1180
032145933AA	6PK1555
032145933AB	6PK1540
032145933C	6PK1130
032145933E	6PK1130
032145933G	6PK1130
032145933Q	6PK1130
032145933R	6PK1555
032145933S	6PK1130
032145933T	6PK1180
032418381	11A0785
032418381A	11A0785

OEM No.	Gates No.
0324-18-381A	11A0785
032418381B	11A0785
034260849	13A0925
034260849B	13A0925
034260849E	13A1030
034903137	11A0825
034903137A	11A0825
034903137B	4PK890
035145271C	13A1030
035145271E	13A1030
035145271F	13A1000
035145271F	13A1030
035145271G	11A0985
035145271J	11A0965
035260849A	13A0900
035260849A	13A0925
035260849C	13A1000
035260849G	13A0925
035903137A	11A0800
035903137B	11A0800
035903137C	11A0785
035903137E	11A0800
036145933AD	6PK1145
036145933AE	6PK1190
036145933AG	6PK730
036145933AJ	6PK1085
036145933AL	6PK880
036145933AR	6PK1385
036145933AS	6PK1790
036145933AT	6PK1085
036145933B	6PK1130
036145933D	6PK1130
036145933F	6PK1085
036145933G	6PK1130
036145933H	6PK1555
036145933J	6PK1085
036145933M	6PK750
036145933Q	6PK1130
037145271E	11A0685
037145271F	11A0750
037145271F	11A0755
037145933	6PK1650
037145933A	6PK1755
037145933B	6PK1650
037145933C	6PK1755
037260849	6PK1155
037260849A	6PK1145
037260849B	6PK1145
037260849C	6PK1155
037903137B	6PK890
037903137C	6PK975
037903137D	6PK890
037903137E	6PK890
037903137F	6PK975

OEM No.	Gates No.
037903137G	6PK975
037903137H	6PK1040
038145933J	6PK1085
038260849	4PK840
038260849A	4PK840
038903137	6PK900
038903137AA	6PK1180
038903137E	6PK1660
038903137G	6PK900
038903137H	5PK1435
038903137J	6PK1660
038903137L	6PK1180
038903137M	6PK780
038903137N	6PK1105
038903137R	6PK1145
038903137S	6PK1215
038903137T	5PK1435
03931000	13A1125
039903137N	6PK1105
03C260849A	6PK1700
03C903137A	6PK1600
03D145933	6PK1460
03D145933A	6PK1740
03D145933AD	6PK1885
03D145933AG	6PK1460
03D145933AH	6PK1885
03D145933AJ	6PK1460
03D145933S	6PK1460
03E260849A	6PK1865
03E260849B	6PK1865
03G903137A	6PK955
03G903137B	6PK1050
03G903137E	6PK1620
03G903137F	6PK1620
03G903137H	6PK825
03L903137	6PK1065
03L903137A	6PK1590
03L903137B	6PK840
0436104	11A1105
0436795	11A1130
044145271J	11A0650
044145271K	11A0650
044260849B	6PK1590
044903137AE	6PK1065
044903137D	11A0965
044903137G	6PK1555
044903137H	6PK1460
044903137L	11A0965
044903137M	11A0965
044903137R	6PK1865
045145933L	6PK1065
045260849	6PK1195
045903137B	6PK1000
045903137D	6PK1000

OEM No.	Gates No.
045903137E	6PK860
04593665AB	6PK2030
04593823AA	6PK2030
046145271	11A0800
046145271A	11A0900
046260849B	13A0950
04668241	4PK850
04668380AA	4PK875
04668382AB	4PK1420
04668382AC	4PK1420
04668444AC	4PK1290
04668452	6PK1445
04668454AB	6PK890
046903137	11A0900
046903137A	6PK1335
046903137B	6PK1715
046903137M	6PK1730
046903137N	6PK1335
047145933	6PK1675
047145933E	6PK1675
047903137A	11A0900
047903137AB	6PK1740
047903137E	6PK1885
047903137F	6PK1470
047903137G	6PK1520
047903137R	5PK1210
04792070	6PK1575
04792070AB	6PK1600
04792409AC	6PK1400
04792442	6PK1575
04792442AA	6PK1575
04792746AD	6PK1335
04861733AC	6PK1245
04861734AA	6PK1420
04861735AA	4PK900
048903137	11A0900
04891505AB	6PK1445
04891506AC	6PK880
04891519AB	4PK1395
04891519AC	4PK1395
04891661AA	6PK1715
04891804AA	6PK1730
04891935AB	4PK925
04892173AA	6PK1600
04892711AA	4PK980
04892747AA	4PK980
04892748AA	6PK1400
04892749AB	4PK900
049260849A	13A0825
0499031372	11A0950
049903137A	11A0950
049903137A	11A0940
049903137B	11A0950
049903137D	11A0940

OEM No.	Gates No.
049903137E	11A0950
050121039A	11A0915
050260849	13A0800
05037542AA	6PK2080
0504-18-381B	13A0950
050903137	11A0950
050903137A	11A0950
050903137B	4PK855
050903137C	4PK855
052903137A	10A0710
052903137B	10A0685
052903137F	10A0675
052903137H	10A0675
052903137L	10A0685
052903137M	10A0675
053121039	11A0890
053121039A	11A0875
053121039A	11A0890
053903137	11A0900
053903137A	4PK890
054903137	11A0865
054903137A	6PK1285
054903137B	6PK1695
054903137D	11A0875
054903137E	6PK1285
054903137F	6PK1695
055131615A	11A0825
055260849	13A1125
055260849A	11A1130
055260849B	13A1050
055260849C	13A1030
055260849E	13A1030
055260849E	13A1050
055903137A	11A0950
055903137B	10A1150
055903137C	11A0850
055903137G	11A0850
055903173A	11A0950
05641010300	11A0990
056903137	11A0950
057903137C	6PK2620
057903137H	6PK1620
058145271	11A0530
058260849	4PK855
058260849A	4PK855
0586236	11A0950
058903137B	5PK1305
058903137C	5PK1305
058903137E	5PK1305
059119137	11A1030
059119137A	11A1030
059260849B	4PK1245
059260849D	4PK1210
059903137	11A0875

OEM No.	Gates No.
059903137AB	6PK2460
059903137AC	6PK2480
059903137AE	6PK2500
059903137B	11A0875
059903137H	6PK2400
059903137P	6PK2460
059903137T	6PK2490
060145271	11A0800
060418381B	13A0950
060518381	13A1000
0605-18-381	13A1000
060903137	11A1015
061903137	11A1145
062145271A	11A0900
062145933	6PK1650
062145933A	6PK1695
062260849	6PK2125
062260849B	6PK2150
062903137	6PK1995
063903137	13A0900
066145933J	6DPK1320
066145933K	6PK1270
068121039B	10A0650
068121039C	10A0610
068121039E	10A0685
068121039G	10A0610
068121039K	10A0635
068121039L	11A0840
068121039M	11A0900
068121039P	11A0915
068121039Q	10A0635
068145271B	11A0735
068145271C	11A0760
068145271E	11A0650
068260149A	13A0825
068260849	13A0950
068260849A	13A0950
068260849B	13A0950
068260849D	13A1250
068260849E	13A1225
068260849G	13A0950
068903137	11A0735
068903137A	11A0875
068903137AA	11A0965
068903137AA	11A0950
068903137AC	11A0760
068903137AE	13A1225
068903137AG	10A0710
068903137AP	10A0710
068903137AR	11A0965
068903137AR	11A0950
068903137AT	11A0965
068903137B	11A0875
068903137C	10A0610

OEM No.	Gates No.
068903137D	11A0965
068903137D	11A0950
068903137F	11A0735
068903137G	10A0635
068903137J	11A0775
068903137L	11A0875
068903137M	11A0875
068903137Q	11A0735
068903137R	11A0735
068903137S	11A0775
068903137T	11A0965
068903137T	11A0950
069145271	13A1050
069903137C	11A0800
06A145933D	6PK1130
06A145933F	6PK925
06A145933L	6PK925
06A260849	6PK1195
06A260849B	6PK1195
06A260849C	6PK1195
06A260849E	6PK1195
06A260849G	6PK1040
06A260849K	6PK1040
06A903849K	6PK1040
06B145933	6PK1085
06B260849A	4PK855
06B260849B	4PK855
06B260849D	4PK855
06B903137	5PK1305
06B903137C	6PK1590
06B903137D	6PK1590
06B903137E	5PK1305
06B903137J	6PK1575
06C903137C	6PK1930
06C903137D	6PK1930
06C903137E	6PK1885
06D903137C	6PK1575
06D903137E	6PK1575
06E903137A	6PK2415
06E903137C	6PK2460
06E903137J	6PK2415
06E903137K	6PK2400
06E903137N	6PK2460
06F260849E	6PK1040
06F260849L	6PK1050
06F903137E	6PK900
06F903137L	6PK955
06H903137C	6PK1590
06J260849D	6PK1115
06Q903137A	6PK1085
070903137	11A1180
071145933D	6PK1660
071145933F	6PK1285
071145933H	6PK2370

OEM No.	Gates No.
071145933L	6PK1360
071145933M	6PK2370
071145933N	6PK1355
071145933P	6PK1355
07119990150	11A0850
07119990151	11A0825
07119990161	11A0950
07119990174	13A1030
07119990175	13A1050
07119990178	11A1130
07119990181	11A1075
0711999175	13A1050
074145271F	13A1050
074145271J	11A0865
074145933AD	6PK1755
074145933AJ	6PK1695
074145933AK	6PK1775
074145933AL	6PK1355
074145933AR	6PK1755
074145933C	6PK1715
074145933G	6PK2070
074145933N	6PK1335
074145933P	6PK1715
074145933Q	6PK1355
074145933T	6PK2150
074260849AB	6PK2230
074260849AC	6PK2230
074260849AD	6PK2210
074260849AE	6PK2210
074260849J	6PK2125
074260849L	6PK2230
074260849S	6PK2170
074260849T	6PK2230
074903137	11A0840
074903137AA	6PK1995
074903137AB	11A1075
074903137AC	10A1150
074903137AF	10A1150
074903137AH	13A1125
074903137AJ	13A1175
074903137AM	6PK1775
074903137AN	13A1125
074903137AP	6PK2080
074903137AR	6PK2080
074903137AS	6PK2080
074903137AT	6PK2070
074903137BA	6PK2080
074903137BB	6PK2070
074903137BC	6PK2125
074903137J	13A1275
074903138	13A1175
0750-18-381A	13A1125
075145271	13A0800
075260849	13A0875

OEM No.	Gates No.
076145107	11A1030
076145933	6PK1995
076260849	6PK2590
076260849B	6PK2590
076903137	11A0815
0775300490009	11A1130
0775300590009	11A0735
077903137AB	7PK2365
077903137AE	7PK2535
077903137D	6PK2460
077903137G	6PK2480
077903137H	6PK2480
077903137K	6PK2690
077903137L	6PK2480
077903137M	6PK2620
077903137Q	6PK2690
077903137R	6PK2620
077903137S	6PK2650
078903137	6PK1675
078903137AJ	6PK1900
078903137AN	6PK1630
078903137AP	6PK1755
078903137AQ	6PK1865
078903137AR	6PK1865
078903137BC	6PK1885
078903137BD	6PK1865
078903137BH	6PK1740
078903137BJ	6PK1885
078903137BL	6PK1855
078903137BM	6PK1740
078903137C	6PK2275
078903137F	6PK1695
078903137K	6PK2260
078903137P	6PK2260
079903137A	5PK1120
079903137AA	5PK1120
079903137AB	5PK1120
079903137S	5PK1165
079903137T	5PK1135
07C145933J	7PK2635
07K145933C	5PK925
07K145933E	5PK1065
07K145933G	5PK940
07K145933R	5PK940
07L903137C	5PK950
07L903137E	5PK1135
07L903137M	5PK950
07L903137T	5PK970
08118-18-381	13A0875
082018381	11A0825
0854679600	11A1060
0854687200	11A0985
0855242700	11A1060
0855505800	11A0850

OEM No.	Gates No.
0855676000	11A0725
0855676100	11A0850
0855721100	11A0750
0921100800	11A0825
0921232003	13A0800
0921232005	13A0850
0AM06-18-381A	13A0925
0K011-18-381A	4PK925
0K012-32-611	13A0775
0K016-18-381	13A1125
0K016-18-381B	13A1125
0K016-18-381D	17A1170
0K017-32-611	13A0850
0K054-18-381	13A1125
0K20A-15-908	4PK900
0K20B-15-909	4PK1015
0K21A18-381	4PK885
0K21A-18-381	4PK885
0K244-15-909A	4PK1050
0K2A3-15-909	4PK1080
0K2AA-15-907	4PK925
0K2AA-15-908	4PK960
0K2AA-32-907	4PK925
0K2CP-15-909	4PK1065
0K2FT15908	4PK845
0K2JV15909	4PK1015
0K410-18-381A	13A1450
0K552-15-909	4PK865
0K553-15-987	5PK1590
0K553-16-987	5PK1590
0K65B-15-907C	13A0900
0K65B-32-611	13A0875
0K71W-18-381	4PK940
0K72A-15-909A	13A0925
0K88R15987	5PK1690
0K941-15-908	4PK1050
0K954-18-381	3PK760
0K95K-15-909	6PK1575
0K-95K-15-909	6PK1590
0K968-15-909	5PK1080
0K9A0-15-909	4PK1115
0K9A1-15-909	4PK1115
0K9A3-15-909	5PK1080
0K9A6-15-987	6PK2020
0K9AA-15-907	4PK940
0K9AC-15-907	5PK950
0W065-32-611	13A0875
1.05121E+11	13A1255
1.1315E+11	11A0835
1.161E+11	11A0825
1.1668E+11	11A0850
1.16761E+11	13A0710
1.1676E+11	11A1030
1.1701E+11	11A0825

OEM No.	Gates No.
1.17022E+11	10A0650
1.1702E+11	11A1105
1.17131E+11	13A0850
1000459	13A0975
1004484	6PK1180
1004485	6PK1755
1004486	6PK1930
1004487	6PK1775
1004582	6PK860
1004583	6PK1730
1009900	6PK1445
10111698	6PK1900
1011614	6PK1955
1011616	6PK1420
1011696	6PK1355
1011697	6PK925
1011698	6PK1900
1013197	6PK2080
1013202	6PK2080
1014374	6PK1715
101555435	11A0925
10155-5435	11A0925
101565435	11A1060
10156-5435	11A1060
1015694	6PK1420
1017591	5PK885
1017592	5PK1135
1017593	5PK675
101947	11A0890
1019889	6PK1445
10200210300	11A0840
1027405	6PK2050
1028278	5PK1015
1028279	5PK1030
1028280	5PK710
1029417	11A0785
1029970092	6PK1885
1029977292	6PK1885
1033063	7PK1910
1033499	6PK2050
1033500	6PK1755
1036916	6PK1930
1036917	6PK1755
1039797	11A0735
1039799	5PK1135
1039800	6PK925
1040754	6PK1420
1040760	6PK1575
1041193	6PK1755
1041194	6PK1930
1049578	6PK1970
1049613	6PK2080
105000210300	11A0725
1050417	6PK2125

OEM No.	Gates No.
105121010300	13A1250
105140210300	11A0840
105481010301	10A1250
105560216300	11A0775
1057840	4PK1490
1058723	11A0735
1058724	11A0785
1059982	4PK1510
105E8620	11A0750
105E8620A	11A0750
106000210302	13A0850
1063290	11A0825
1068252	6PK1900
10692015	11A1225
1070102	6PK1775
107037	11A0875
107037/B	11A0875
107037B	11A0875
1072316	6PK1740
1072317	6PK1900
1079383	6PK1420
1079384	6PK1715
108017	11A0875
1084993	6PK1675
1084994	6PK1930
1085038	6PK1445
1087286	5PK885
1089877	6PK1700
1093816	5PK1135
1094675	6PK1930
1095321	5PK1030
1097332	6PK1050
109970592	6PK2055
109970692	6PK2150
109974392	6PK2525
109974892	6PK2070
109975992	6PK2170
109977092	6PK2055
109977192	6PK2055
109977892	6PK2525
109977992	6PK2150
109978192	6PK2415
109978392	6PK2455
109978692	6PK2150
109978792	6PK2250
109978892	6PK2225
109978992	6PK2480
1099892	7PK2705
1099893	7PK2870
110259	11A0850
1102826	6PK1620
1102827	6PK1650
11063969	11A0800
1111241	6DPK1320

OEM No.	Gates No.
1111242	6DPK1320
1111928	6PK1195
1112854	6PK1940
1112954	6PK1930
111903137B	11A0900
111903137C	11A0900
111903137D	11A0900
111903137E	11A0900
1119151	6PK1270
1120198	6PK2230
1120199	4PK735
11211258120	11A0985
112118381	11A0825
11221706788	13A1050
11231266125	11A0950
11231279479	10A1010
11231315137	13A1050
11231315353	13A1000
11231706668	13A1050
11231706788	13A1050
11231709636	11A0865
11231709638	11A0865
11231716201	13A1050
11231717016	11A0990
11231717952	11A1015
11231721408	11A1030
11232241172	10A1010
11232242209	13A0825
11232243046	10A1010
112431	13A1020
1125415	6PK1650
1127235	6PK1695
1127408	6PK1775
11280300802	6PK1385
11281247284	6PK1660
11281247986	6PK1660
11281401157	6PK1510
11281401159	5PK1120
11281401162	5PK790
11281404018	6PK1510
11281407975	7PK1440
11281427250	6PK1555
11281432724	7PK1640
11281433948	5PK950
11281435280	5PK1000
11281437368	6PK1555
11281437369	6PK1730
11281437449	5PK915
11281437450	5PK865
11281437475	6PK1540
11281437869	6PK1715
11281437872	5PK865
11281437873	5PK915
11281437874	5PK950

OEM No.	Gates No.
11281437875	4PK890
11281437880	6PK1730
11281437929	6PK1555
11281438276	6PK1540
11281703561	6PK1555
11281703943	5PK890
11281703944	5PK915
11281704719	7PK1035
11281706545	6PK1540
11281710958	6PK1190
11281715636	5PK1165
11281715770	6PK1085
11281725731	6PK1085
11281726689	6PK1555
11281726690	5PK890
11281729211	5PK1145
11281735190	6PK1560
11281735194	6PK1560
11281735195	6PK1575
11281736717	6PK1085
11281736759	5PK975
11281736986	7PK1605
11281736988	5PK975
11281738988	5PK915
11281739470	4PK890
11281739816	6PK1730
11281741427	6PK1195
11281742012	7PK1605
11281742029	5PK1000
11281742475	7PK1640
11281743193	4PK890
11281744986	5PK865
11281747922	7PK1035
11282243732	4PK775
11282244179	5PK1815
11282245028	5PK1850
11282245848	5PK1815
11282245850	4PK840
11282245948	5PK1885
11282247191	5PK2020
11282247493	5PK2075
11284496457	5PK800
11287507626	5PK1030
11287508239	7PK1035
11287509520	6PK1460
11287511476	6PK1865
11287512563	4PK845
11287512762	4PK860
11287512970	6PK1555
11287512971	4PK860
11287512972	7PK1035
11287515316	6PK1650
11287516181	6PK1555
11287519955	7PK1640

OEM No.	Gates No.
11287520072	6PK1560
11287525418	6PK1555
11287527564	6PK1995
11287529738	6PK1555
11287529741	6PK1555
11287532144	6PK1840
11287532145	6PK1865
11287532146	6PK1650
11287534703	6PK880
11287539831	6PK1555
11287542864	6PK1555
11287544786	6PK1555
11287545120	6PK1385
11287549150	6PK1995
11287549643	6PK1840
11287552233	6PK1865
11287552236	6PK1650
11287557257	7PK1370
11287566789	6PK900
11287568247	7PK1865
11287571377	6PK900
11287786075	6PK2080
11287787368	5PK2020
11287787516	5PK2020
11287787535	6PK2080
11287787897	7PK1760
11287789985	6PK2160
11287790450	6PK1840
11287790919	3PK863SF
11287791786	4PK810
11287792059	6PK2070
11287794070	4PK790
11287795601	6PK1695
11287796396	7PK1760
11287798112	6PK975
11287800341	6PK1700
11287800345	6PK1815
11287800485	6PK1790
11287802186	6PK1555
11287803476	6PK1900
11287830946	5PK830
11287832327	6PK1460
11287833264	7PK1640
11287833265	7PK1440
11287833266	5PK975
11287835483	6PK1085
11287837898	6PK1460
11287838200	6PK1065
11287841529	6PK1105
1129181	7PK2705
1129182	7PK2870
1129745	6PK1955
11311268697	11A0985
113150210300	11A0840

OEM No.	Gates No.
1132641	6PK825
1132642	6PK825
1133958	6PK1420
1133960	6PK1715
1135719	6PK1145
1136711970	15A1155
1136712161	TR24476
1136713010	13A1450
11367141110	15A1225
1137008	6PK1910
1139970092	6PK2460
1139970292	6PK2440
1141314	6PK1335
1141315	6PK1715
1141317	6PK1015
11425146	11A0950
1142688	6PK1040
1143407	5PK690
11436104	11A1105
11436795	11A1130
11436796	10A1250
11436933	11A1220
11436934	11A1105
11446026	11A0950
11446055	10A1010
11448389	11A1225
11464038	11A1075
1148907	5PK690
1148908	6PK1040
11511706710	11A0965
115881010302B	5PK940
1159970392	6PK2415
116100210300	11A0825
116100210300	11A0815
116680210300	11A0850
116760210300	11A1030
116761010306	13A0710
117010210300	11A0825
117020210300	11A1105
117020210301	11A1105
117131010300	13A0850
11718-AA020	13A0975
1172000Q1U	5PK1195
1172000QA2	6PK1195
1172000QAJ	5PK1120
1172000QAM	6PK890
1172000QAN	5PK1135
11720-00QAN	5PK1135
1172000QAP	5PK1195
11720-00QAP	5PK1195
11720-00QAR	3PK735
11720-00QAS	4PK925
11720-00QAT	4PK900
11720-00QAV	3PK735

OEM No.	Gates No.
11720-01B00	3PK875
11720-01B01	3PK900
11720-01B02	3PK785
11720-01B04	3PK785
11720-01B05	3PK760
11720-02N00	13A1150
11720-02N03	13A1150
11720-02N04	13A1150
11720-03J00	11A1145
11720-03J01	11A1145
11720-03N00	5PK900
11720-05E00	13A0900
11720-05E05	13A0900
11720-05E10	13A0900
11720-05E15	13A0900
11720-05E60	13A0775
11720-05E65	13A0725
11720-05E70	13A0775
11720-05E75	13A0725
11720-06E01	11A1060
11720-06E06	11A0940
11720-06E11	11A0785
11720-06J01	13A1150
11720-06J02	13A1150
11720-08E01	11A1060
11720-08E02	11A1060
11720-08E06	11A0940
11720-08E07	11A0940
11720-08E15	11A0785
11720-08E16	11A0785
11720-0C800	5PK950
11720-0C805	5PK950
11720-0C810	4PK900
11720-0E010	4PK830
11720-0E400	13A0850
11720-0E401	13A0850
11720-0E410	13A0850
11720-0F000	13A1150
11720-0F300	11A0900
11720-0M000	4PK830
11720-0M010	4PK830
117200M200	6PK825
11720-0M311	4PK1100
11720-0M313	4PK1115
11720-0N500	4PK1120
11720-0N502	4PK1120
11720-0P500	4PK1015
11720-0W000	6PK1065
11720-0W002	6PK1065
11720-10G00	13A0975
11720-10G01	13A0975
117201600	4PK725
11720-16A01	13A0800
11720-16A02	13A0900

OEM No.	Gates No.
11720-16A06	13A0875
11720-16A10	13A0800
11720-16E01	4PK735
11720-16E02	4PK725
11720-16V01	4PK1115
11720-16V02	4PK1115
11720-16V11	4PK1115
11720-17S00	13A1000
11720-17S10	13A1000
11720-18000	11A0840
11720-18001	11A0840
11720-18002	11A0840
11720-1C501	13A1050
11720-1C502	13A1050
11720-1F700	6PK675
11720-1F710	4PK650
11720-1P100	6PK840
11720-1P101	6PK840
11720-21000	11A0890
11720-22101	11A0915
11720-22J00	13A1085
11720-22J10	13A1085
11720-23100	11A0890
11720-24U00	4PK875
11720-25A00	13A0800
117202600	4PK775
11720-26E02	4PK775
11720-26E12	4PK775
11720-28E10	4PK715
11720-29500	13A0900
11720-29500	13A0850
11720-2F000	4PK800
11720-2F005	4PK800
11720-2F200	4PK830
117202F205	4PK830
11720-2F610	13A0850
11720-2M310	4PK715
11720-30R00	6PK1300
11720-30R10	6PK1300
11720-30W00	11A0940
11720-31U00	6PK880
11720-31U02	6PK880
11720-4007	4PK815
11720-42L01	4PK850
11720-42L02	4PK860
1172042L03	4PK850
11720-42L12	4PK860
11720-43G01	13A1150
11720-43G02	13A1150
11720-43G03	13A1150
11720-43G91JP	13A1150
11720-4A0A1	4PK840
11720-4F100	6PK675
11720-4F105	6PK880

OEM No.	Gates No.
11720-4F110	4PK650
11720-4M510	6PK825
11720-4M511	6PK825
11720-4M512	6PK825
11720-4P100	6PK1180
11720-4P101	6PK1180
11720-4P102	6PK1180
117204P10A	6PK1145
117204S100	5PK800
11720-50A00	4PK990
11720-50A10	4PK990
11720-52F00	5PK940
11720-52F10	5PK940
11720-53J10	4PK830
11720-53Y00	4PK800
11720-53Y01	4PK800
11720-53Y10	4PK800
11720-53Y20	4PK800
11720-54B00	6PK880
11720-59M00	13A0850
11720-59S01	4PK875
11720-59Y00	13A0850
11720-67A00	4PK1015
11720-67S00	4PK860
11720-67S01	4PK860
11720-69000	11A0875
11720-69200	11A0950
11720-69900	11A0990
11720-69901	11A0990
11720-69910	11A0990
11720-69T01	13A1150
11720-6F900	5PK970
11720-6F905	5PK775
11720-6N200	6PK2250
11720-70J00	4PK830
11720-70J05	4PK830
11720-71E10	4PK725
11720-71J00	4PK815
11720-71J01	4PK815
11720-71J05	4PK910
11720-73000	11A1060
11720-73600	11A0950
11720-77701	11A0985
11720-77702	11A0985
11720-77A00	4PK910
11720-77A00-TM	4PK910
11720-77A10	4PK910
11720-77A12	4PK830
11720-78000	11A1060
11720-78201	11A1030
11720-78221	11A0950
11720-80W00	11A0940
11720-80W10	11A0940
11720-83000	13A0900

OEM No.	Gates No.
11720-85G00	4PK910
11720-85G10	4PK910
11720-97E10	5PK855
11720-9C601	13A1100
11720-9C603	13A0850
11720-9C604	13A1100
11720-9F600	6PK825
11720-9F605	6PK825
11720-9F610	6PK825
11720-AA000	4PK890
11720-AR000	6PK1955
11720AR010	6PK1940
11720-AW300	7PK1790
11720-B1100	11A1060
11720-B1101	11A1060
11720BC21A	7PK1035
11720-BN700	5PK1135
11720-BN701	5PK1195
11720-BX000	4PK830
11720BX005	4PK830
11720-BX010	3PK675
11720BX015	3PK675
11720CK80A	6PK1215
11720-D0101	11A0875
11720-D2000	11A0875
11720-D2005	11A0875
11720-D2800	13A0850
11720-D2811	13A0850
11720-D3300	11A0875
11720-D3301	11A0875
11720-D3310	11A0875
11720-D4001	4PK960
11720-D4007	4PK815
11720-D4007-TM	4PK815
11720-D4008	4PK815
11720-D4017	4PK815
11720-D4201	6PK730
11720-D4202	4PK715
11720D8800	7PK1425
11720-E011	11A0865
11720-E3000	11A0865
11720-E3001	11A0900
11720-E3005	11A0900
11720-E3010	11A0865
11720-E3011	11A0865
11720-E3015	11A0865
11720-E4600	11A0850
11720-E4615	11A0850
11720-E8700	13A0850
11720EB300	7PK1285
11720EB30A	7PK1285
11720EB310	7PK1285
11720EL00A	6PK1195
11720EN20A	6PK1210

OEM No.	Gates No.
11720ET00A	6PK1210
11720-F6300	4PK1050
11720-F6310	4PK1050
11720-F6501	4PK1050
11720-F6600	4PK1040
11720-G0300	11A0840
11720-G3610	13A0950
11720-G8000	13A1050
11720-G8001	13A1050
11720-H8500	11A0985
11720-J0300	11A0915
11720-J8001	4PK850
11720JG70B	7PK1710
11720-N8500	11A0900
11720-N8503	11A0950
11720-N9500	11A0915
11720-N9510	11A0985
11720-N9515	11A0950
11720-N9520	11A0985
11720-N9590	11A0915
11720-N9700	11A0900
11720-N9710	11A0890
11720-P8000	13A0900
11720-P8010	13A1125
11720-PO300	11A0900
11720-PO305	13A0875
11720-Q5201	4PK815
11720-R7400	11A0850
11720-R7410	11A0875
11720-SO101	11A0865
11720-T6200	13A0975
11720-U0105	11A0890
11720-V0701	13A0975
11720-V0702	13A0975
11720-V0703	13A0975
11720-V0705	13A1000
11720-V0706	13A1000
11720-V0707	13A1000
11720-V0708	13A1000
11720-V0710	13A0975
11720-V2000	13A0875
11720-V2010	13A0900
11720-V5001	13A0925
11720-V5011	13A0925
11720-V5012	13A0925
11720-V5300	4PK1015
11720-V5302	4PK1030
11720V5303	4PK1015
11720-V5312	4PK1030
11720-V5313	4PK1030
11720-V5500	11A0875
11720-V5501	11A0875
11720-V5510	11A0875
11720-V7300	4PK865

OEM No.	Gates No.
11720-V7301	4PK865
11720V7302	4PK855
11720-V7302	4PK850
11720-V7310	4PK865
11720-V7311	4PK865
11720-VB500	13A1085
11720-VB510	13A1085
11720-VC101	7PK1640
11720-VC102	7PK1640
11720-VC103	7PK1640
11720-VC200	6PK1065
11720VJ200	4PK910
11720-VJ200	4PK915
11720-VS40A	7PK1640
11720-W0700	13A0875
11720-W3410	13A1030
11720-W3411	13A1030
11720-W4405	11A0875
11720-Y4000	13A0900
11720-Y4005	13A0875
11721312977	13A0975
11721-312977	13A0980
11721315356	13A0975
11721-315356	13A0980
11721-H7200	11A0985
11721-H7200	11A0965
11721-H7201	11A0985
11721-H7210	11A0985
11721-Y9501	11A0985
11750-01B00	3PK625
11750-05E00	13A0900
11750-05E10	13A0900
11750-05E10KE	13A0900
11750-C6000	13A1350
11750-D1100	13A0750
11750-D2810	10A0610
11750-G9600	13A1125
11750-N9520	13A1250
11750-V2000	13A1125
11750-V5700	13A0825
11750-Y4011	13A1125
11750-Y4015	13A1200
118E8620A	11A0750
119000210300	11A0925
119001020700	11A0875
11920-01B10	4PK815
11920-01M01	13A0800
11920-01M10	13A0800
11920-01W00	13A1350
11920-04U00	4PK950
11920-04W00	13A0825
11920-06P01	4PK950
11920-0E000	6PK1035
11920-0E001	6PK1035

OEM No.	Gates No.
11920-0F000	13A0925
11920-0F300	13A0925
11920-0H600	4PK855
11920-0H610	4PK855
11920-0M800	6PK1015
11920-0M801	6PK1015
11920-0P500	4PK955
11920-0W000	5PK1280
119200W001	5PK1280
119200W002	5PK1280
11920-10G01	13A1450
11920-10G02	13A1450
11920-15S00	13A0925
11920-16A00	13A0875
11920-16A10	13A0875
11920-16E01	6PK1195
11920-16V00	4PK910
11920-16V10	4PK910
11920-1P100	4PK1015
11920-1P110	4PK1015
11920-21B00	4PK830
11920-21B05	4PK830
11920-21L00	13A0925
11920-21M00	13A0800
11920-21M00	13A0825
11920-27N00	4PK1195
11920-28E10	6PK880
11920-28L00	13A0900
11920-2F200	6PK1035
11920-2F205	6PK1035
11920-2Y501	6PK1100
11920-30R10	4PK875
11920-30W00	13A0825
11920-31U00	6PK1105
11920-31U02	6PK1105
11920-41B00	6PK955
11920-41B01	6PK955
11920-41B02	6PK955
11920-42L01	4PK925
11920-4F105	6PK955
11920-4M500	6PK1115
11920-53J00	6PK1040
11920-53J0010	6PK1040
11920-53J01	6PK1040
11920-53J10	6PK1040
11920-53J20	4PK850
11920-58S00	4PK925
1192058S01	4PK925
11920-5C000	4PK925
11920-5F600	6PK955
11920-5U011	6PK1035
11920-60U01	4PK950
11920-6J900	6PK1115
11920-6J910	6PK1115

OEM No.	Gates No.
11920-70J00	6PK1040
11920-77A00	4PK830
11920-77A10	4PK830
11920-77A12	4PK830
11920-80W00	13A0825
11920-80W10	13A0825
11920-85E01	4PK1180
11920-85E11	4PK1180
11920-97E20	4PK1180
11920-97E26	4PK1180
11920-9C600	13A0950
11920-9F500	6PK1035
11920-9F505	6PK1035
11920-9F605	6PK1115
11920-AG900	4PK950
11920-BX000	4PK1065
11920BX005	6PK1065
11920-C6000	13A0975
11920-C601001	13A1055
11920-C8600	13A1500
11920-D4007	4PK815
11920-D4201	6PK880
11920-F5100	13A0925
11920-F6100	4PK1420
11920-F6110	4PK1420
11920F6111	4PK1420
11920-F6300	4PK1360
11920-F6501	4PK970
11920-G2500	13A0825
11920-H8900	13A0800
11920-M6601	13A0850
11920-M6660	13A0850
11920-N9505	13A0850
11920-Q5200	4PK830
11920-R2001	13A0850
11920-V1900	13A0925
11920-V2000	13A0900
11920-V2100	13A0825
11920-V5001	13A1425
11920-V5012	13A1425
11920-V7301	4PK845
11920V7302	4PK850
11920-V7311	4PK845
11920-W4400	13A0850
11920-W5800	13A0875
11920-W6800	13A0875
119280210300	11A0925
11950-04U00	4PK950
11950-06E01	11A0950
11950-06J00	13A1250
11950-08E00	11A0950
11950-08E01	11A0950
11950-08E05	11A0940
11950-08E15	11A0940

OEM No.	Gates No.
11950-0F300	13A1150
11950-0M200	4PK815
119500M210	4PK725
11950-0P600	4PK900
11950-0P610	4PK910
11950-0P611	4PK900
11950-10G00	13A1175
11950-10G01	13A1175
11950-10G02	13A1175
11950-11M03	13A1000
11950-11M10	13A1000
11950-16E10	4PK1040
11950-18E10	4PK1040
11950-24U05	4PK970
11950-31U00	4PK775
11950-31U01	4PK775
11950-31U02	4PK775
11950-35F00	4PK840
11950-41B00	4PK760
11950-41B01	4PK760
11950-41B02	4PK760
11950-42L00	3PK855
11950-42L10	3PK855
11950-43G00	13A1150
11950-43G01	13A1150
11950-4F105	4PK760
11950-53J10	4PK845
11950-53J20	4PK845
11950-54A00	13A0675
11950-54A10	13A0675
11950-54C00	4PK925
11950-54C10	4PK925
11950-58S01	3PK855
1195058S02	3PK855
11950-59S02	4PK950
11950-5C005	4PK1015
11950-5F600	4PK760
11950-5J001	4PK855
11950-5J010	4PK855
11950-5J011	4PK855
1195060U05	7PK1285
11950-65F10	3PK875
11950-67S00	3PK855
11950-67S01	3PK855
11950-70J00	4PK845
11950-70J05	4PK845
11950-71E00	4PK900
11950-71E10	4PK900
11950-72B00	4PK725
1195072B01	4PK725
11950-80W00	13A1175
11950-80W10	13A1175
11950-85E00	4PK1040
11950-86L00	4PK900

OEM No.	Gates No.
11950-97E00	4PK980
11950-9F600	4PK845
11950-9F605	4PK845
119509F610	4PK850
11950AR000	4PK950
11950-C8600	13A1275
11950-D2015	13A0750
11950-D2017	13A0750
11950-D4200	4PK940
11950-D4201	4PK925
11950-D4202	4PK940
11950-D4210	4PK940
11950-D4211	4PK925
11950EB300	4PK830
11950EB30A	4PK830
11950-F6101	3PK1005
11950F6102	3PK1005
11950-F6111	3PK1005
11950-G2401	13A1150
11950-V5201	13A1050
11950-V5212	13A1050
11950-V6100	13A1050
11950-V7300	3PK825
11950-V7301	3PK840
11950-V7302	3PK825
11950-V7310	3PK825
11950-V7311	3PK840
11950-V7710	3PK825
11950-VB200	13A1245
11950-W4410	13A0800
119970192	6PK1770
119970292	6PK1880
119970592	6PK2415
119970692	6PK2455
119971592	6PK2100
119971892	6PK2055
119971992	6PK2155
119972092	6PK2100
119972192	6PK2200
119972992	6PK2525
119973092	6PK2460
119973392	6PK1325
119973492	6PK2385
119973692	6PK1765
119973792	6PK1860
119973892	6PK2125
119974292	6PK2055
119974792	6PK2415
119974892	6PK2125
119974992	6PK2225
119975292	6PK2155
119975392	6PK2005
119975592	6PK2200
119975892	6PK1325

OEM No.	Gates No.
119976492	8PK2440
119976992	7PK1285
119977192	7PK1365
119978092	6PK2125
119978292	6PK2350
119978592	6PK2125
119979192	5PK1290
119979292	5PK1755
119979392	5PK1290
119979492	5PK1755
119979792	6PK2385
1199970192	6PK2525
12,5X1450-N-275	13A1450
12.5X1000	13A1000
12.5X1000-N-275	13A1000
12.5X1025-N-275	13A1030
12.5X1275-N-275	13A1275
12.5X1300-N-275	13A1300
12.5X1425-N-275	13A1425
12.5X1450-N-275	13A1450
12.5X1475-N-275	13A1475
12.5X1500-N-275	13A1500
12.5X1600-N-275	13A1600
12.5X1875-N-275	13A1880
12.5X750-N-275	13A0750
1202679	6PK1695
1202680	6PK2170
1206466	6PK1650
1229549	6PK975
12311254121	11A0875
12311254122	11A0850
12311254885	11A0965
12311254886	13A1030
12311256920	13A1050
12311258400	13A1050
12311260531	13A1050
12311260568	11A0985
12311260569	13A1050
12311268675	11A0875
12311268678	11A0850
12311268697	11A0985
12311278250	11A0940
12311284317	11A0950
12311288475	11A0965
12318602025	11A0875
12318602026	11A0850
1231960	6PK1215
1232500	6PK1300
1238517	11A1180
1253583	5PK690
1253583	6PK1015
1253584	6PK1040
1253937	6PK1215
1255103	5PK865

OEM No.	Gates No.
125772	11A0900
127132	11A0815
1271828	6PK1620
1271829	6PK1755
1275725	6PK1420
1275726	6PK1675
128001	11A0890
128002	11A1030
128003	11A1145
128004	11A1120
128005	11A1130
128006	11A1205
128007	11A1130
128012	11A0825
128014	10A1010
128015	11A0775
128016	11A1130
128017	5PK1390
128018	5PK1455
128019	5PK925
128023	5PK1390
128024	5PK1455
128025	4PK865
128026	4PK950
128027	4PK855
128028	4PK950
128031	11A0825
128034	6PK890
128035	6PK890
128036	4PK900
128037	4PK900
128038	3PK875
128039	3PK875
128040	3PK945
128041	3PK945
128043	6PK890
128044	6PK925
128045	6PK925
128046	6PK1000
128047	6PK1000
128048	6PK955
128050	6PK955
128051	6PK955
128057	5PK1390
128058	5PK1455
128063	3PK945
128065	6PK955
128066	6PK925
128067	6PK1000
129970092	5PK1270
129970192	5PK1755
129970592	6PK2200
129970792	6PK2275
129971592	6PK2055

OEM No.	Gates No.
129973692	6PK2385
129974292	6PK2070
129974392	6PK2160
129975892	6PK2030
129977492	5PK1270
129977592	5PK1755
12B307	13A1225
1300342080	5PK940
13014900	11A0785
1301909	5PK711SF
1303612	3PK675
1303613	5PK1015
1303929	6PK2190
130493	11A0800
130564	10A1150
1308095	6PK2230
1308228	6PK1460
1312097	11A1005
1313020080	6PK965
1316336	6PK1520
1316337	6PK1355
1320286	6PK1675
1320289	6PK1930
1322008	5PK865
1322008	6PK1040
1322009	6PK1040
133228	5PK865
133262	4PK815
1332732	6PK825
1332733	6PK825
133481	11A0865
1340007	11A0890
1340506	13A0875
1340603	4PK960
1340604	17A1050
1340605	11A1030
1340606	17A1050
1340607	6PK1800
1340608	6PK1900
1340609	11A0915
1340610	10A0750
1340611	5PK1815
1340612	11A0915
1340613	6PK1728
1340614	6PK1900
1340615	6PK2260
1340616	6PK1800
1340617	6PK1465
1340618	6PK1540
1340619	6PK900
1340620	6PK1728
1340621	6PK1728
1340622	11A0925
1340623	13A1005

OEM No.	Gates No.
1340624	13A1020
1340625	6PK1900
1340626	6PK1800
1340627	6PK1800
1340629	5PK1220
1340632	17A1050
1340635	5PK1220
1340636	5PK1675
1340637	5PK940
1340639	6PK1880
1340640	4PK875
1340641	5PK1355
1340642	5PK1220
1340643	6PK1540
1340646	6PK1800
1340647	6PK1900
1340648	6PK1728
1340649	6PK2035
1340651	6PK1860
1340657	5PK1245
1340681	13A0925
1340696	11A0890
1340703	10A0900
1340704	11A0890
1340705	11A0955
1340712	11A0980
1340714	11A0915
1340718	11A0955
1340720	11A1005
1340721	5PK1015
1340724	5PK980
1340725	13A0875
1340727	13A0925
1340728	6PK1465
1340729	11A0925
1340730	11A0940
1340732	11A1005
1340734	11A0940
1340735	11A0955
1340736	5PK990
1340737	11A1030
1340738	11A0925
1340739	10A0900
1340742	6PK1900
1340743	6PK1728
1340746	6PK1540
1340753	11A0955
1340A005	5PK940
1340A035	5PK1790
1340A052	6PK1190
1340A058	4PK875
1340A065	4PK760
1340A066	4PK775
1340A078	5PK1195

OEM No.	Gates No.
1343139	6PK2210
1343681	6PK2275
134458	11A0850
1346034	5PK705SF
1354250	5PK865
1354250	6PK1040
1354254	6PK1040
1354255	5PK865
1354256	6PK1040
1354707	13A0875
1361185	6PK1355
1363-18-381	13A1155
1365336	5PK690
1365336	6PK1015
1365338	6PK1040
1372764	7PK2850
1376104	6PK2200
1376752	7PK2850
1381643	6PK1195
1381645	6PK1695
138325	5PK735
1383663	6PK1675
1387692	6PK2230
1387693	6PK2210
139449	6PK955
1395572	11A1370
139972692	6PK2160
13H1329	11A0865
13H1448	13A1125
13H1840	13A1085
13H3726	11A1060
13H3820	11A0890
13H389	11A0815
13H4366	11A0890
13H4583	11A0890
13H4706	11A0850
13H480	13A1150
13H503	11A0925
13H5373	11A0825
13H589	11A0815
13H6869	11A1060
13H7104	11A1180
13H760	11A1120
13H7975	11A1060
13H8309	11A0890
13H8310	11A0900
13H8389	11A0815
13H848	13A1100
13H859	11A0815
13H8673	11A0840
13H923	11A0900
13H924	11A0940
13H9620	11A0950
13X670-DIN-2215	13A0725

OEM No.	Gates No.
1416245	6PK2205
1418182	6PK1695
1422141	6PK2210
1427353	6PK1740
1430000	11A1475
1430423	11A0785
1434283	6PK1675
1434348	4PK920
1438244	6PK1215
1440434	7PK2850
14451A023	4PK800
1449474	4PK920
1456704	11A1345
1461858	13A1125
1462109	13A1030
1465190	4PK920
1465590	5PK690
146987-0460	TR22514
1471768	6PK2250
1473402	6PK2210
1473889	11A0865
1475778	13A1225
1477934	11A1075
1482546	10A1010
14853-H9910	10A1010
1494726	13A1175
1494787	6PK1740
150008	5PK1330
1502521	11A0890
1502917	11A0925
1502917	11A0940
1502948	10A1250
1502949	11A1180
1503819	11A0925
1505426	11A1295
1506943	10A1150
1508233	11A1060
1511349	13A0900
151209	11A0915
151515	11A0900
1517293	11A1295
1535422	5PK1145
1535430	4PK675
1539584	6PK975
1539603	6PK1180
1539606	6PK1300
1540766	13A1150
1542571	13A1225
1556515	13A1550
1558205	6PK1115
1559970392	6PK2415
1561698	13A1085
156218381	11A0825
1563258	5PK890

OEM No.	Gates No.
156329	6PK1015
156489	11A1105
156703	5PK775
156708	6PK1000
1576573	11A1205
1576983	11A0760
158101	5PK525
158102	6PK1245
1599251	13A1450
1608672	13A1225
1608673	13A1225
1609970092	4PK790
1609970192	3PK855
1612264	11A0950
1612265	11A0725
1612266	11A1075
1612286	13A0925
1617272	10A1010
162060710300	11A1105
1629019	11A0840
1629874	11A0915
1629875	11A1180
1629875	11A1170
1629973392	6PK2230
1631113	10A0710
1634741	11A0900
1634792	11A0775
1638510	11A0985
1638514	11A0890
1638514	11A0885
164035011	11A0840
1643815	11A0915
1646285	11A0985
1646286	13A1000
1648292	11A0915
1648398	11A0915
1650769	6PK1230
1650770	6PK1815
1650771	6PK1955
1654387	6PK925
166453	5PK1305
1668465	7PK2225
1690049	7PK2225
1714477	3PK495
17144-77E00	3PK495
1718757	11A1030
1719095	13A1085
1721408	11A1030
1727136	11A0725
1727378	4PK855
17521052E00	4PK950
1752124J00	5PK830
1752150F00	4PK640
17521-50F00	4PK640

OEM No.	Gates No.
1752151A00	4PK815
17521-51A00	4PK815
17521-52E00	4PK950
1752160A00	4PK815
17521-60A00	4PK815
1752160B00	3PK810
17521-60B00	3PK810
17521-60B01	3PK810
1752160B10	3PK810
17521-60B10	3PK810
1752160B20	3PK810
17521-60B20	3PK810
17521-61A00	4PK800
1752161A10	4PK800
17521-61A10	4PK800
1752162G00	5PK1545
17521-62G00	5PK1545
1752164J00	5PK830
1752166J00	4PK950
17521-70B01	10A0610
17521-70B10	10A0610
17521-70D00	10A0610
17521-71520	11A0750
17521-75100	11A0775
17521-76000	11A0825
17521-77300	11A0750
17521-77E00	5PK1545
1752177E10	5PK1545
1752177E20	5PK1545
17521-78000	11A0825
17521-78100	11A0825
17521-78E00	13A1175
1752178F00	4PK815
1752179J50	6PK1050
17521-80C00	11A0840
17521-80F51	4PK1040
17521-81AA0	4PK980
17521-82010	11A0840
17521-82020	11A0840
17521-82030	11A0840
17521-83010	11A0840
1752183AA0	4PK990
17521-83E00	4PK815
1752184CA0	6PK1115
17521-84CA0	6PK1115
1752184H00	4PK850
17521-85090	4PK1080
17521-85300	4PK1015
17521-85C00	4PK815
1752185E00	6PK1180
17521-85FA0	4PK925
17521-86500	4PK815
17521-86510	4PK815
17521-86520	4PK815

OEM No.	Gates No.
17521-86CA0	10A0610
17521-B8201	11A0840
17521M68K00	4PK900
17521M79F10	4PK715
1757-13-715	11A0890
1757-18-381	11A0800
1776433	13A1150
179439	11A0770
1798078	11A1370
17D29	13A1175
17H760	11A1105
1800867	13A1325
1805736	13A1400
181675	11A1105
181677	13A0925
181682	13A0750
1820459	11A1450
1822583	13A1400
1827214	13A1450
1827336	13A1400
1836785	13A1400
1845565	13A1400
185002	11A0940
185124	13A0710
1854704	11A0890
1854707	13A0875
1854708	6PK2225
1854710	11A0785
1854711	11A0890
1854712	11A0875
1854713	6PK2260
1854714	6PK2260
1854715	4PK815
1854716	13A1525
1854718	11A0785
1854722	4PK775
1854725	4PK775
1854726	13A1500
1854728	6PK2035
1854729	13A1255
1854733	6PK2285
1855750	6PK2055
19230-PHM-004	5PK940
195112320200A	11A0785
195112320300	11A0785
195112320301	11A0990
19511551010	11A1075
19511568040	11A1075
195152320301	11A0990
195170710300	11A0825
195172383400	13A1125
195172383406	13A1100
195202710300	13A0925
1952516	11A0900

OEM No.	Gates No.
1952536	13A0925
1952550	13A1150
1952551	13A1150
1952553	13A1150
195320510300	11A0750
195320710301	13A0975
195322710300	13A1050
195510510304	5PK820
195510510305	5PK990
195510510308	13A0800
195510710300	5PK1105
195590710300	10A0635
195592320300	11A0825
195592710300	13A1030
1956125	13A0925
1956127	13A1150
1956128	13A0925
1A23-18-381	4PK865
1C1Q 6C301 BA	6PK1785
1C1Q 6C301 CB	6PK1955
1C1Q6C301AB	6PK825
1C1Q-6C301-AB	6PK825
1C1Q6C301AD	6PK825
1C1Q-6C301-AD	6PK825
1C1Q6C301BA	6PK1775
1C1Q6C301CB	6PK1955
1C1Q6C301DA	6PK1650
1C1Q-6C301-DA	6PK1650
1C1Q6D314AA	6PK825
1C1Q6D314AB	6PK825
1C1Q6D314BA	6PK825
1C1Q6D314BB	6PK825
1E03-15-907	6PK1730
1E03-15-907A	6PK1730
1E03-15-907B	6PK1730
1E03-15-908	6PK1445
1E03-15-908A	6PK1445
1E03-15-909	6PK1900
1E03-15-909A	6PK1900
1E03-15-909B	6PK1900
1E03-15-909D	6PK1900
1E03-18-381	6PK860
1E03-18-381A	6PK860
1E05-15-907	6PK1755
1E05-15-908	6PK1775
1E05-15-909	6PK1930
1E05-18-381	6PK1180
1E07-15-907	5PK1135
1E07-15-907A	5PK1135
1E07-15-907B	5PK1135
1E07-15-909	5PK675
1E07-18-381	5PK885
1E07-18-381A	5PK885
1E1115907	6PK1620

OEM No.	Gates No.
1E11-15-907	6PK1620
1F1E8620AB	6PK2160
1G2716	11A0900
1H1001	11A0900
1K0260849A	6PK1105
1K0260849B	6PK1105
1N12-15-908	13A0875
1N15-15-909	4PK815
1N20-18-381	4PK1115
1N21-18-381	13A0850
1S4E6C301AB	6PK1040
1S4E6C301AC	6PK1040
1S4Q6C301AA	6PK1420
1S4Q6C301BA	6PK1715
1S7Q6C301AA	6PK2230
1S7Q6C301AB	6PK2230
1S7Q6C301CA	6PK1650
1X4E8620DB	6PK2460
201403	11A1060
201403-4	11A1060
201448	6PK1510
204E8620B	11A0850
204E-8620B	11A0850
204E8620C	11A0850
2101-1308020	11A0940
2101-1308026	11A0940
21066-29W00	13A0925
21066-29W00JP	13A0975
21066-29W00KE	13A0975
21066-R8300	13A1000
21066T9307	13A0975
21066-T9307	13A0955
21067-10600	11A0985
21067-10800	11A0990
21067-29913	11A0840
21067-37602	13A0950
21067-37603	13A0950
21067-73000	11A1060
21067-78500	11A0865
21067-L0100	13A0925
2108-3701720	10A0710
21145933	7PK1365
21221-01000	17A1075
212683	11A1130
214239	11A1105
214239	11A1120
214303	11A1030
214314	11A1120
214325	11A1105
214830	11A1130
216632	11A0890
217391	11A1105
217607	11A0950
219560	11A0815

OEM No.	Gates No.
2203557/5	6PK2080
227618381A	13A0950
227618381B	13A0900
2276-18-381B	13A0900
23127-21200	13A0865
23127-24001	13A0850
23127-24010	13A0825
23127-24710	13A0825
23127-28100	4PK910
23127-28240	4PK940
23127-33020	13A0950
23127-33100	13A0950
23127-33300	4PK960
23127-33330	13A0990
23127-36000	13A0975
23145271	11A0865
23223047	13A1500
23223093	11A1130
23223141	13A1450
23223142	13A1475
23260849	13A1320
232913715	11A0825
2400E8620A	11A1030
2400E8A602A	11A1345
24413292	6PK1900
24413293	6PK1800
24413294	6PK1880
24426540	5PK1025
24435940	5PK1030
24452030	6PK1900
24466972	5PK1025
24508560	6PK1765
24573322	5PK1025
247920	11A0915
247939	11A0950
25211-11000	11A0815
25211-21000	11A0875
25211-32000	11A0965
25211-32400	11A0965
25212-02500	4PK775
2521202550	4PK775
25212-21200	4PK865
25212-21220	4PK865
25212-22020	4PK900
25212-22030	4PK900
25212-23000	4PK875
25212-23700	4PK890
25212-24320	4PK865
25212-24350	4PK865
2521225000	6PK2590
2521225020	6PK2515
25212-26000	4PK850
25212-26001	4PK845
25212-27000	6PK1510

OEM No.	Gates No.
25212-27001	6PK1510
25212-27002	6PK1510
2521227010	6PK1510
2521227160	6PK1400
25212-27350	6PK1510
25212-27351	6PK1510
2521227360	6PK1510
2521227400	6PK1510
25212-27501	6PK1445
25212-27502	6PK1445
25212-27551	6PK1445
25212-2A000	5PK1790
252122A001	5PK1790
25212-2A110	5PK1840
252122A112	5PK1850
25212-2A120	5PK1790
25212-2A121	5PK1790
252122A132	5PK1755
252122B000	6PK2135
252122B010	6PK1540
252122B020	6PK1255
252122B030	6PK955
25212-32510	4PK980
25212-32520	4PK980
25212-32550	4PK980
25212-33000	4PK980
25212-33050	4PK980
25212-33060	4PK980
25212-33100	4PK990
25212-33150	4PK990
25212-33160	4PK990
25212-35010	5PK1245
25212-35020	5PK1245
25212-35050	5PK1245
25212-36070	5PK1345
25212-37101	6PK1995
25212-37102	6PK1995
25212-37110	6PK1995
25212-37111	6PK1995
25212-37151	6PK1695
25212-37160	6PK1700
25212-37161	6PK1700
25212-37162	6PK1695
2521237181	6PK1995
25212-38000	4PK950
25212-38001	4PK950
25212-39800	5PK1135
252123C100	6PK2480
25212-3C100	6PK2480
252123E000	6PK2055
252123E050	6PK2055
252124A000	7PK2285
25212-4A000	7PK2285
252124A010	7PK1725

OEM No.	Gates No.
25212-4A010	7PK1725
25212-4A100	7PK2265
252124A400	7PK2250
25214-42060	11A1105
25215-42020	11A1105
2521542021	11A1105
25215-42040	11A1105
25215-42060	11A1090
2521542061	11A1090
254715146314	4PK1050
254715146315	4PK1050
254715146321	4PK1050
254715146332	4PK1040
254723116309	10A1010
254723116315	10A1010
254723126309	6PK1320
254723126320	6PK1320
254723126329	6PK1335
254723126330	6PK1360
255272916	13A1150
260292A	11A1075
260297A	11A0950
260469A	11A0925
260475A	11A0840
26101-03200	13A1175
2612076	11A1450
2612354	13A0750
2612374	13A1275
2612375	13A1325
26145271	10A0735
2614A026	11A0925
267718381	13A0850
2701E8620B	13A1175
2703E8620A	13A1375
2706E8620	13A1150
2710E3K532A	13A0900
2710E8620	13A1175
2715E8A615B	11A1475
2720E8A6028	11A1320
2720E8A602B	11A1320
2720E8A602B2	11A1320
2720E8A602C	11A1370
2724E8A602B	11A1225
2725E8A602A	11A1295
2733E8620A	11A0750
2735E8620A	11A0800
2735E8620C	11A0800
274602	6PK1195
279023116304	4PK875
279023116307	4PK875
279023126306	4PK725
27903137	10A0635
279123116302	5PK1080
280889	13A0875

OEM No.	Gates No.
2812427	11A1130
2814845	11A1055
297046	13A0850
298118381	13A0850
29975392	13A0825
29976292	11A1150
29976892	13A1155
29978692	13A0825
29979492	13A0785
29979592	11A0955
2A414	11A0815
2A801	11A0815
2C1Q6C301AA	6PK1650
2C3Z-8620-EB	6PK2530
2D0145933A	6PK2125
2D0260849	6PK2210
2M5V6C301AA	6PK2125
2N231-6	11A0950
2N391-18	11A0800
2S4E6C301DB	6PK1015
2S616C301CA	6PK1335
2S616C301DA	6PK1715
2S6E6C301CA	6PK1015
2S6E6C301CB	5PK690
2S6E-6C301-CB	5PK690
2S6E6C301DA	5PK690
2S6E6C301DB	6PK1015
2S6E-6C301-DB	6PK1015
2S6E6D314AB	5PK690
2S6E6D314AC	5PK690
2S6E6D314AC	6PK1015
2S6E6D314AD	6PK1015
2S6E6D314ABA	6PK1040
2S6E6D314BB	6PK1040
2S6E6D314BC	6PK1040
2S6G6C301AA	6PK2230
2S6G6C301BA	6PK2190
2S6G6C301CA	6PK2190
2S6G6C301JA	6PK1695
2S6G6C301KA	6PK2170
2T1Q6C301AA	6PK1460
3009003	11A0875
3012097	11A1005
3013008	11A0955
3013009	11A0915
3013010	11A0925
3013021	11A0925
3013022	10A0900
30145933	6PK1100
3019004R11	11A1600
3019406	6PK1115
3020E8620A	11A0785
3023786	6PK2150
3023801	6PK2080

OEM No.	Gates No.
30518381	13A0975
30616942	5PK1120
30621318	6PK1790
30623381	5PK1120
30637495	6PK975
30650846	5PK865
30650847	6PK1040
30681318	5PK1135
30731808	6DPK1840
30731809	6DPK1840
30731811	6PK1815
30731861	6DPK1840
30731862	6PK1815
30731937	6PK2205
30751288	6PK1195
30757007	6PK1195
30757514	5PK1120
30777417	5PK705SF
30777530	5PK855
30777531	5PK890
30777660	6PK1215
30809320	6PK1145
30819189	6PK1650
30873480	5PK1345
30873534	4PK775
30874031	5PK1080
30883832	6PK1790
30889794	6PK1145
311106570100	11A0940
31110-671-0030	11A0965
31110-679-004	11A0875
31110-679-014	11A0875
31110-689-003	11A0985
31110-689-0030	11A0965
31110-P01-003	4PK775
31110-P01-004	4PK775
31110-P0B-A01	6PK940
31110-P0B-A11	6PK940
31110-P0B-A12	6PK940
31110-P12-A01	5PK950
31110-P12-A02	5PK950
31110-P13-003	6PK925
31110-P1K-E01	4PK790
31110-P1K-E03	4PK790
31110P1R003	5PK830
31110P1R004	5PK830
31110-P2A-003	4PK800
31110-P2A-004	4PK800
31110-P2J-003	4PK800
31110-P2T-003	4PK775
31110-P2T-004	4PK775
31110-P30-003	4PK775
31110-P30-0030	4PK775
31110-P30-004	4PK775

OEM No.	Gates No.
31110-P30-0040	4PK775
31110-P30-901	4PK775
31110-P30-902	4PK775
31110-P3F-004	4PK830
31110-P44-G03	5PK950
31110-P5G-003	5PK940
31110-P5K-003	6PK955
31110-P5M-003	6PK925
31110-P5M-004	6PK925
31110-P72-004	4PK790
31110-P72-902	4PK775
31110-P73-A01	4PK760
31110-P75-004	4PK790
31110PA13420	11A0950
31110-PA1-7410	11A0950
31110-PA1-7420	11A0950
31110-PA6-003	11A0950
31110-PA6-0030	11A0950
31110-PA6-004	11A0950
31110-PA6-0040	11A0950
31110-PA6-911	11A0985
31110-PA6-912	11A0985
31110-PB0-0041	5PK950
31110-PC1-0030	3PK975
31110-PCX-G01	6PK1145
31110-PD2-003	4PK950
31110-PD2-004	4PK950
31110-PDA-E01	6PK955
31110-PE0-0030	3PK735
31110-PE0-004	3PK735
31110-PE0-0040	3PK735
31110-PE8-601	3PK960
31110-PE8-602	3PK960
31110-PFB-003	3PK675
31110-PG6-0030	3PK710
31110-PG6-0040	3PK710
31110PG6030	3PK710
31110-PG7-661	3PK710
31110-PG7-6610	3PK710
31110-PHO-003	5PK940
31110PH2003	5PK940
31110-PH2-004	5PK940
31110-PH2-0040	5PK940
31110-PH2-J01	5PK940
31110-PH3-003	3PK810
31110-PH3-004	3PK810
31110-PH3-0040	3PK810
31110-PH3-J01	3PK810
31110-PH6-003	3PK810
31110-PH6-004	3PK810
31110-PH7-0030	3PK1080
31110-PH7-0031	3PK1080
31110-PH7-0040	3PK1080
31110-PH7-013	3PK1080

OEM No.	Gates No.
31110-PH7-0130	3PK1080
31110-PJ7-0030	3PK680
31110-PJ7-0040	3PK680
31110-PJ7-0130	3PK710
31110-PJ7-0140	3PK710
31110-PJ7-505	3PK710
31110-PK2-003	5PK875
31110-PK2-004	5PK875
31110-PLAE01	6PK865
31110-PLA-E01	6PK860
31110-PLA-E02	6PK860
31110-PLR-003	6PK990
31110-PLZ-D00	6PK1270
31110-PM3-003	3PK760
31110-PM3-0030	3PK760
31110-PM3-004	3PK760
31110-PM3-0040	3PK760
31110-PM3-005	3PK760
31110-PM3-014	3PK760
31110-PNE-G01	7PK1390
31110-PNE-G02	7PK1390
31110-PO1-003	4PK775
31110-PO1-0032	4PK775
31110-PO1-004	4PK775
31110-PP4-E01	3PK785
31110-PP4-E010	3PK785
31110-PR3-003	4PK775
31110-PR3-0030	4PK775
31110-PR3-004	4PK775
31110-PR4-A05	4PK775
31110-PR4-A06	4PK775
31110-PR5-0030	4PK760
31110-PR7-A01	5PK1105
31110-PR7-A12	5PK1105
31110-PRA-013	7PK1285
31110-PT0-003	5PK950
31110-PT0-004	5PK950
31110-PV0-003	4PK830
31110-PV0-004	4PK830
31110-PVO-004	4PK830
31110-PWA-G01	5PK855
31110-PY3-003	5PK940
31110-PY3-A01	5PK940
31110RNA003	7PK1865
31110RNA004	7PK1865
31110-RRBA01	7PK1640
3111106340030	11A0940
311903137	11A1060
311903137A	10A1010
31216255	6PK1650
31216255-5	6PK1650
31251046	6PK1195
31251305	6PK2210
31251758	6PK975

OEM No.	Gates No.
31272251	6PK1790
31272339	6PK1790
3136599	11A1500
3208961	13A1000
3210827	11A1245
32145933	6PK1180
323225	13A1325
323561	13A1525
323580	13A1450
323586	13A1450
323591	13A1475
323610	13A1085
323665	13A1325
323783	11A1180
323889	13A1450
323890	13A1475
323948	13A1450
32411258276	11A0900
32411266788	11A0900
32411268681	11A0825
32411270869	11A0865
32411274563	11A0915
32411276314	11A0825
32411288291	11A0815
32411711144	11A0915
32421311578	11A0815
32421316785	11A0815
32421706750	11A0890
32421706825	11A0825
32421711065	11A0900
32421717011	11A0825
32421717953	11A0800
32421719953	11A0800
32421720644	11A0850
32421727136	11A0725
32421727180	11A0725
32427791786	4PK810
32427794070	4PK790
3244271	11A0865
3244272	11A0940
32471J	11A0770
3252729	13A1125
3252933R91	13A1500
3253159R1	13A1055
3260477R1	13A1080
3265733R1	13A1385
3267865R1	6PK1000
3287514	4PK885
3290730	11A1220
329073015	11A1205
3298673	11A1245
3342138	5PK855
3342860	5PK885
3343106	4PK885

OEM No.	Gates No.
3396930	5PK1030
3396931	4PK925
3396932	5PK1165
3396934	5PK855
3396935	5PK1015
3406363	4PK925
3411617	6PK1155
3416012	6PK840
3417142	6PK1560
34260849	13A0925
3428788	11A0940
3434934	6PK1555
3446588	6PK840
3450074	3PK595
3454404	3PK595
3454405	6PK1555
3459977192	13A1150
3470280	6PK1180
347100	11A0770
3473195	6PK1155
3473196	6PK840
3473197	3PK595
3473198	6PK1555
3474598	3PK595
3485086	4PK580
3485927	6PK1155
34903137	11A0825
3501607	6PK2415
35340-86CA0	6PK1145
3547573	6PK1620
3547607	6PK1620
3547608	6PK1270
358323C91	13A1395
358331C91	13A1120
3599764	13A1100
35C47E04	7PK2225
3610825	13A1475
361538C1	13A1575
36942N	11A0785
3707248	6PK2080
37145271	11A0660
37145933	6PK1650
37260849	6PK1155
3730289	5PK1015
37330-29000	6PK1130
37330-29100	6PK1740
37330-29102	6PK1740
3815689	13A1000
3845648	11A1255
3848255	11A1105
3849258	11A1040
3872248	13A1100
3874-18-381	13A1085
3874424	11A0915

OEM No.	Gates No.
38763671003	11A1060
38763-689-003	11A1075
38903137	6PK900
38920-671-003	13A0800
38920-692-013	13A0875
38920-P01-003	4PK790
38920-P01-004	4PK790
38920-P04-003	4PK850
38920-P04-004	4PK850
38920-P08-003	4PK865
38920-P08-004	4PK865
38920-P0A-003	6PK1115
38920-P0A-004	6PK1115
38920-P0A-J01	6PK1115
38920-P0A-J02	6PK1115
38920-P13-J01	6PK1040
38920-P14-A01	5PK1080
38920-P14-A02	5PK1080
38920-P1E-003	6PK1085
38920-P1E-J01	6PK1085
38920-P1E-J02	6PK1085
38920-P1K-505	4PK790
38920-P2A-003	4PK830
38920-P2T-003	4PK845
38920-P30-003	4PK830
38920-P30-004	4PK830
38920-P30-505	4PK830
38920-P3F-003	4PK845
38920-P3F-004	4PK845
38920-P54-003	4PK815
38920-P54-004	4PK815
38920-P5A-004	5PK950
38920-P5L-003	6PK1085
38920-P5L-004	6PK1085
38920-P73-003	4PK815
38920-P75-A010	4PK865
38920-P75-A02	4PK865
38920-P8A-A02	6PK1180
38920-P8C-A02	6PK1180
38920-P8F-A02	6PK1195
38920-PAA-A01	6PK1100
38920-PAA-A02	6PK1100
38920-PC6-003	13A0950
38920-PC6-004	13A0950
38920-PCA-003	6PK1085
38920-PCA-004	6PK1085
38920-PCX-004	6PK1470
38920PCX024	6PK1470
38920-PDA-E01	6PK1100
38920-PDA-E03	6PK1100
38920-PE0-013	13A0850
38920-PE0-014	13A0850
38920-PE1-701	13A0825
38920-PE1-711	13A0825

OEM No.	Gates No.
38920-PEC-003	4PK800
38920-PEC-004	4PK800
38920-PFB-004	3PK675
38920-PG6-003	13A0900
38920-PG6-004	13A0900
38920-PG6-006	13A0900
38920-PH1-003	4PK910
38920-PH3-003	4PK910
38920-PHM-003	5PK1120
38920-PK1-003	5PK1050
38920-PK1-004	5PK1050
38920-PL2-013	4PK910
38920-PLC-003	6PK1000
38920-PLC-004	6PK1000
38920-PLR-003	6PK990
38920-PLR-004	6PK990
38920-PLZ-D00	6PK1620
38920-PM3-003	4PK865
38920-PM3-0030	4PK865
38920-PM3-014	4PK865
38920-PM3-0140	4PK865
38920-PM5-A11	4PK865
38920-PM5-A12	4PK865
38920-PME-T01	6PK990
38920-PNA-003	7PK1770
38920-PNA-004	7PK1770
38920-PNB-003	7PK1725
38920-PNB-004	7PK1725
38920-PO1-003	4PK790
38920-PO1-004	4PK790
38920-PO8-003	4PK865
38920-PO8-004	4PK865
38920-PP4-E01	4PK815
38920-PP4-E02	4PK815
38920-PR3-003	4PK830
38920-PR3-0030	4PK830
38920-PR3-004	4PK830
38920-PR7-A01	4PK980
38920-PR7-A02	4PK980
38920-PRA-004	7PK1640
38920-PRA-013	7PK1640
38920-PSG-T01	6PK1000
38920-PT0-003	5PK1105
38920-PT0-0032	5PK1105
38920-PT0-004	5PK1105
38920-PTO-0032	5PK1105
38920-PV0-003	4PK925
38920-PV0-004	4PK925
38920-PW0-001	4PK845
38920-PW0-003	4PK850
38920-PW0-004	4PK850
38920-PW0-G01	4PK845
38920-PW0-G02	4PK845
38920PW0J01	5PK1145

OEM No.	Gates No.
38920-PWA-004	6PK1145
38920PWA901	5PK1135
38920PWAJ01	5PK1145
38920-PWA-J01	5PK1145
38920-PY3-003	5PK970
38920-PY3-A01	5PK970
38920-RBA-E01	7PK1760
38920-RBA-E02	7PK1760
38920RBBE01	7PK1740
38920RBBE02	7PK1740
38920RBD-E02	7PK2265
38920RBD-E02	7PK2265
38920RCAA03	6PK2135
38920RCAA05	6PK2135
3897656	10A1010
3899744	11A0825
3901232	11A0775
3902552	5PK1165
3902990	13A0825
3904815	13A0775
39108240	13A1175
3910825	13A1475
3911670	11A1395
3919416	13A1450
3931000	13A1130
3933965	13A0950
3935008	6PK2080
3938725	11A0875
3938737	11A0875
3939739	11A0800
3950922	13A0825
3954187	3PK680
395464985	6PK1320
3968234	6PK2170
3973814	5PK1015
3973914	5PK1015
3991260	11A0815
39970792	13A1255
39973492	11A0940
39973592	11A0980
39975392	13A1295
39976892	11A0955
3BC715909C	4PK970
3M5Q6C301AA	6PK1300
3M5Q-6C301-AA01	6PK1300
3M5Q6C301CA	5PK711SF
3M5Q6C301CB	5PK705SF
3M5Q6D314CA	5PK711SF
3M5Q6D314CB	5PK705SF
3S5Q6C301BA	6PK2190
3U7J6C301BA	6PK1930
4001215	6PK1815
400308	11A0915
400313	11A0915

OEM No.	Gates No.
400325	11A0900
400325	11A0915
400332	11A1060
400365	11A0800
400366	11A0800
400366	11A0785
400381	11A0815
400387	10A0610
400398	11A0850
4004766	6PK2150
4005448	13A1175
400720	11A1295
400721	11A1220
400735	11A1225
400799	5PK875
4007CV	5PK855
4007J2	10A0675
4007J3	10A0675
400906	11A1030
400914	11A0915
400922	10A0650
400931	10A0900
400941	4PK640
400942	4PK1030
400972	4PK640
400978	4PK640
400986	4PK1030
4009P2	4PK920
4009Q4	4PK920
4024820	6PK1815
4025787	11A0965
4027321	11A1145
4027330	11A1060
4028502	11A0985
4029195	6PK2325
4029203	6PK2555
4037771	11A0800
4038260	4PK925
4042901	11A0950
4045907	11A0750
4048375	11A0990
4049101	11A0950
404E8620	11A0965
4060336	11A0950
4060534	11A0750
4060987	6PK2515
4061402	11A0775
4062365	11A0915
4068295	11A0725
4068295	11A0735
4070393	11A0725
4070393	11A0735
4071946	6PK2190
408559	13A0825

OEM No.	Gates No.
409105	11A0980
409224	11A0785
4094-18-381A	13A0925
4099852	10A1010
4108792	11A0750
4108793	11A0750
4146147	11A0750
414639	11A0775
4146392	11A0775
4150202	11A0890
4153056	11A0750
4153106	11A0725
4153106	11A0735
4153107	11A0750
4153752	11A0950
4153753	11A0915
4156392	11A0800
4156931	11A0800
4156931	11A0815
4158457	11A0850
4160169	6PK2080
4164623	11A0785
4164887	10A1010
4165080	6PK1900
4165189	11A0850
4168467	11A0925
4170927	11A1075
4171293	11A0815
417550	13A1450
4176009	13A1250
4176054	13A1525
4181524	11A0785
4187984	6PK2160
4188176	6PK2160
4188206	6PK1815
419250	11A0890
419407	11A0890
419419	11A0990
4200845	11A0985
4206718	11A1075
4218720	11A1105
4224377	11A0825
4225393	11A0850
422602	13A1200
4229143	11A0940
4229144	11A1270
4229145	11A0915
4253056	11A0750
427169	11A0865
427945	11A0915
4279749	11A0915
4291734	13A0900
4295780	11A0660
4298096	4PK760

OEM No.	Gates No.
4298097	11A1245
4298115	4PK1040
4300241	13A1370
4300342	13A1500
4300521	17A1050
4301066	11A1030
430174	11A0875
4302118	13A1020
4304339	17A1050
4306859	11A0815
4306862	11A1270
4313390	11A0825
4315444	11A1060
4332785	11A0815
4335587	11A0815
4335876	6PK2080
4337104	11A1030
4343490	11A1090
4343523	11A1205
4343524	11A1225
4343524	11A1220
4356291	13A1250
4356887	5PK1590
4356895	6PK2325
4356903	6PK2555
4359063	6PK2620
4359071	6PK2020
4360111	6PK2305
4360467	6PK2305
4371913	10A1010
4382104	11A1060
4395406	6PK2020
4395422	6PK2305
4395430	6PK1900
4395448	6PK2325
4395455	6PK2555
4395463	6PK2230
4401649	6PK1145
4404004	6PK2125
44105435	4PK950
441054351716	4PK950
44318-87101	3PK550
44318-87201	3PK735
44318-87401	4PK1015
44318-87701	3PK825
44318-87703	3PK760
44318-87704	3PK560
44318-87706	3PK550
44318-87707	3PK550
44318-97201	3PK515
4434797	11A0775
44360-87704	3PK560
4440400	11A0840
4440806	11A1075

OEM No.	Gates No.
4440806	11A1060
4448399	11A0840
4448400	11A0840
4448639	5PK1815
4451A020	6PK1715
4451A023	4PK800
4451A058	4PK980
4451A059	6PK1715
4458068	11A0865
4464043	11A0825
4466209	11A0850
4467845	11A0825
4470182	11A0890
4478580	11A0825
4483174	4PK980
4483204	11A0990
4483457	11A0965
4500033	5PK1195
4500034	6PK865
4500056	6PK835
4503473	13A1050
4520320	11A0850
452737	13A0710
4536137	11A1205
4537928	13A1300
4538873	11A1105
4547433	13A1425
4547443	13A1425
4547446	11A1060
4552648	6PK2030
456904	10A0650
456907	11A0735
456908	10A0650
456909	10A0610
456911	10A0610
456912	10A0545
456914	10A0610
456915	10A0610
456916	10A0610
456917	10A0610
456918	10A0650
4573013	6PK1335
4573013AB	6PK1335
4573013AC	6PK1335
4573017	11A1370
4573234	6PK1700
4573727	6PK1420
4573737	4PK970
4573974	6PK1335
4574091	10A1010
4575528	6PK1900
4593668AA	4PK1420
4593684AA	6PK2080
4600280	6PK2080

OEM No.	Gates No.
460481	11A0890
4606269	13A1425
4606270	11A1060
4606468	11A1270
4610482	11A0985
4610657	11A0965
4612018	6PK2490
4612229	4PK850
4612247	11A1220
4612248	11A1060
4612277	6PK2460
4612411	6PK2515
4612418	6PK2490
4612460	6PK2515
4612461	11A0950
4612468	4PK900
4612470	6PK1420
4612669	6PK1040
4612716	7PK1390
4612828	6PK2515
4612829	6PK2080
4612830	6PK2515
4612928	6PK2490
46129991	3PK855
46136505	3PK855
4615469	11A1105
4615470	11A1120
4615473	11A1120
4615474	11A1105
4616155	11A0965
4616931	11A0800
4617480	13A1300
4619689	11A0925
4619691	11A0925
4619695	10A1250
4619699	10A1250
4620361	11A1145
4624734	11A0925
4624738	11A1145
4624745	10A1250
4625683	11A0965
4625686	11A0965
4631961	13A1450
4637986	11A1320
4638133	6PK2400
4638182	11A1120
4638401	11A1370
4639586	13A1750
46400047	3PK675
46403146	4PK950
46403854	5PK940
46406340	4PK940
46411594	3PK675
46411595	4PK960

OEM No.	Gates No.
46412707	6PK925
46413020	5PK975
46414859	6PK1080
46414860	6PK1710
46424623	3PK1005
46428896	4PK980
46429443	4PK675
46429444	4PK715
46429930	6PK1840
46439000	6PK1100
46439824	6PK940
46443510	4PK775
46444537	6PK1740
46446830	6PK1840
46446963	4PK900
46448693	5PK940
46448694	4PK960
46451652	4PK855
46451885	6PK1040
46451888	6PK1840
46454225	5PK1030
46456894	4PK960
4645911	13A1450
4645913	13A1450
4646105	13A1425
4646107	13A1425
4646108	11A1060
46462943	3PK675
46462944	5PK940
46462949	6PK940
46462950	6PK990
46468650	5PK950
4647062	6PK1840
46471757	5PK950
46473060	5PK950
46473645	4PK940
46474060	4PK750
46474061	6PK1040
46474062	6PK1840
46474063	6PK1040
46474064	6PK1840
46479557	6PK1755
4649011	11A1075
4650438	13A1300
46510517	11A1030
46510534	11A1105
46510585A	11A0735
46510592	5PK790
46510593	5PK1210
46510606	3PK960
46510626F	6PK1420
46510627F	4PK900
46510641F	6PK1910
46514138	6PK1230

OEM No.	Gates No.
46516743	4PK900
46517850	4PK840
46517851	4PK700
46520499	6PK1385
46520501	4PK750
46520502	4PK750
46527337	6PK1775
46527552	4PK700
46528833	3PK650
46533490	6PK1130
46537099	4PK960
46540146	6PK1685
46540546	6PK1040
46542138	5PK940
46542139	5PK950
46542302	4PK960
46542303	4PK855
46546396	6PK1840
46548454	5PK1165
4654911	11A1075
46549624	5PK1195
46550322	5PK1590
46554745	4PK685
46555974	6PK1790
46556131	6PK1790
46557131	4PK775
46557132	4PK545
4660360	11A0990
4660361	11A0990
4663182	4PK900
4663199	6PK1360
4663950	11A1395
46641877	11A0850
4665641	11A1030
4668180	4PK890
4668180AB	4PK890
4668247	4PK1320
4668247AB	4PK1320
4668247AC	4PK1320
4668249AB	4PK1120
4668249AC	4PK1120
4668303	4PK980
4668324	6PK1420
4668340	11A1060
4668380AC	4PK875
4668382AB	4PK1420
4668444AB	4PK1290
4668452AB	6PK1445
4668454AB	6PK890
46736814	4PK675
46738444	5PK940
46738445	3PK675
46745928	3PK895
46746017	4PK840

OEM No.	Gates No.	OEM No.	Gates No.	OEM No.	Gates No.	OEM No.	Gates No.
46747484	6PK1230	4751659	4PK900	4892749AA	4PK900	4M5Q6C301EB	6PK1215
46747485	6PK1230	4752861	6PK2030	4892749AB	4PK900	4M5Q6C301EC	6PK1215
46749664	6PK1840	4758123	11A0915	4892750AA	6PK1400	4M5Q6C301FC	6PK1215
46749665	6PK1840	4763863	7PK1970	4892791AA	6PK2200	4M5Q6C301GB	6PK1520
46751200	4PK675	4763863AB	7PK1970	4892840AA	6PK2080	4M5Q6C301HC	6PK1040
46755987	6PK825	4765100	11A0925	4893-18-382	13A1225	4M5Q6C301JA	6PK1040
46759720	6PK1840	4792070	6PK1575	4896312	6PK1995	4M5Q6D314AA	5PK865
46759895	4PK925	4792070AC	6PK1575	4899548	6PK2620	4M5Q6D314AA	6PK1040
46769821	6PK1755	4792071	6PK1065	4899555	6PK2030	4M5Q6D314AB	5PK865
46770210	4PK675	4792071AB	6PK1065	4904728	6PK2620	4M5Q6D314AB	6PK1040
46770217	6PK990	4792394AA	6PK1335	49180-52E00	4PK945	4M5Q6D314BA	6PK1040
46770218	3PK710	4792408AA	4PK980	49180-60B10	4PK950	4M5Q6D314BB	6PK1040
46770219	4PK900	4792746AB	6PK1335	49180-60B20	4PK850	4M5Q6D314CB	5PK865
46770221	3PK680	4796033	8PK2172	49180-60G10	4PK900	4M5Q6D314DA	6PK1040
46770222	5PK975	4796328	11A1205	49180-63B10	4PK925	4S4Q6C301CB	6PK2230
46770223	6PK940	4796442	11A1320	49180-63B20	4PK830	4U3Q6C301AA	6PK1885
46770224	4PK950	4796650	11A1205	49180-63B50	4PK790	5000031369	13A1050
46775098	6PK1145	4798388	6PK2515	49180-63G10	4PK910	5000041122	10A1250
46776647	3PK710	48180-52E00	4PK950	49180-65G10	6PK1740	5000043146	13A1125
46780356	3PK710	4829182	13A0925	49180-65G11	6PK1730	5000043148	11A0990
46786740	6PK1775	483185	13A1175	49180-65G20	6PK1155	5000043149	13A0900
46787906	6PK1740	4833708	13A0925	49180-69G00	4PK940	5000043649	13A0900
46787907	6PK1755	4833709	10A0635	4918073J00	6PK1385	5000044031	11A1225
46798891	6PK1145	4834880	13A0825	4918084A80	6PK1955	5000044406	13A1125
46801955	6PK1050	4841734AA	6PK1420	49180-86000	4PK940	5000044717	11A0990
46801957	6PK1815	4854033	6PK2230	4918150J40	6PK1630	5000044858	13A0900
46803270	6PK1050	4854033AB	6PK2230	49181-56B10	4PK815	5000044858	13A0925
46803271	6PK1815	4854258	6PK2030	49181-60A00	4PK790	5000047059	11A1075
46806144	6PK1085	4861017	6PK1015	4918164J00	4PK890	5000047950	11A1075
46806145	6PK1855	4861322	6PK2460	4918165D40	6PK1575	5000047952	11A1205
46809420	4PK675	4861322AB	6PK2460	49181-70A10	4PK715	5000048223	11A1205
46811241	4PK915	4861322AC	6PK2460	49181-77E00	4PK1015	5000048793	11A1225
46811283	4PK870	4861400	6PK1420	49181-78E00	13A0925	5000048794	10A1250
46811573	6PK1270	4861401	4PK900	493069	11A0760	5000048930	11A0990
46818260	5PK1145	4861733AC	6PK1245	4961058	6PK1810	5000048933	13A1150
46820062	6PK1180	4861734AA	6PK1420	4961066	6PK2345	5000048934	13A1175
46820063	6PK1300	4861735AA	4PK900	4965687	6PK1980	5000049293	13A1125
46820063A696	6PK1300	4863835	3PK960	49970892	11A0925	5000049298	13A0900
4683770	11A1130	4872967	11A1525	49973392	13A1345	5000049298	13A0925
4683771	11A1130	4888854	11A1145	49973892	13A1020	5000049301	11A1225
4688852	11A1105	4891505AB	6PK1445	49973992	11A1030	5000049616	13A1400
4688855	11A1145	4891506AB	6PK880	49974092	13A1370	5000049619	13A1200
46903137	10A0900	4891506AC	6PK880	49977492	13A0875	5000131716	11A0750
4696714	11A1180	4891519AB	4PK1395	49977792	11A0940	5000132350	11A1475
4702438	11A1145	4891587AA	7PK2035	49978092	11A0955	5000133113	11A1225
4706572	10A1150	4891598AB	6PK2555	49978492	13A1155	5000133113	10A1250
4706573	10A1150	4891661AA	6PK1715	49978592	11A1005	5000133114	11A0900
47146-03050	13A1500	4891692AB	6PK2050	49979392	13A0925	5000136826	11A1320
4717331	13A1750	4891704AA	6PK1190	49979492	13A0875	5000136827	13A1030
4717332	13A1300	4891875AA	6PK1755	49979992	13A1155	5000138295	11A1075
4723288	5PK1210	4892444AA	4PK900	4L5E8620EA	6PK2200	5000168026	13A1375
4723345	5PK790	4892680AA	6PK2125	4L5Z8620EA	6PK2200	5000168027	13A1050
4726920	11A1345	4892747AA	4PK980	4M5Q6C301BB	5PK865	5000168462	13A1050
4751649	6PK1360	4892748AA	6PK1400	4M5Q6C301DA	6PK975	5000168463	13A1425

OEM No.	Gates No.
5000182327	11A0985
5000182761	13A1950
5000183327	11A0985
5000240844	13A0750
5000297575	11A1345
5000297760	11A0875
5000297763	11A1225
5000297764	11A1075
5000297765	10A1010
5000297766	11A1180
5000491292	13A1880
5000552494	13A0825
5000564436	13A1880
5000564556	13A1050
5000566546	13A1350
5000566547	13A1450
5000592731	11A0990
5000612768	11A0950
5000625394	13A1425
5000626261	13A1250
5000659558	11A1130
5000659559	13A1085
5000663785	11A0985
5000663786	11A1345
5000663787	13A1175
5000666358	11A1575
5000666711	13A1200
5000666877	13A1090
5000666879	13A1150
5000666880	13A1175
5000666883	13A1450
5000666884	13A1450
5000666886	11A0725
5000666887	11A0815
5000666889	11A0875
5000666890	11A0900
5000666892	11A0940
5000666893	11A0965
5000666898	13A1225
5000667880	10A1250
5000670601	13A1375
5000670635	11A1345
5000670639	13A1600
5000670641	13A1650
5000678321	11A1550
5000678324	13A1350
5000678484	11A1550
5000681020	13A1375
5000681349	13A1575
5000681405	13A1375
5000681406	13A1650
5000686006	11A1180
5000686250	13A1425
5000686251	13A1650

OEM No.	Gates No.
5000686286	13A1450
5000686360	11A1225
5000686366	13A1250
5000686547	13A1175
5000686548	13A1200
5000686549	13A1525
5000686561	11A1295
5000686828	13A1450
5000686852	13A1425
5000686853	11A1295
5000686855	13A1650
5000686857	11A1180
5000686858	11A1225
5000686864	13A1350
5000686893	13A1250
5000686895	13A1225
5000689151	13A1450
5000689152	13A1450
5000691377	10A1250
5000783655	11A0850
5000785235	11A1295
5000785370	13A1350
5000785475	11A1130
5000785634	11A0725
5000785652	11A0875
5000785715	11A1320
5000786244	13A1425
5000786244	13A1450
5000786245	13A1475
5000786246	13A1525
5000786359	13A1550
5000786360	13A1625
5000786386	13A0925
5000786466	11A0815
5000786518	11A1345
5000786661	11A0940
5000786662	11A0965
5000787170	13A1400
5000787245	13A1475
5000787519	13A1650
5000787739	13A1550
5000788119	11A0915
5000788120	11A0985
5000788121	11A1130
5000788122	11A1345
5000788123	13A1085
5000788124	13A1175
5000788125	13A1525
5000788221	13A1250
5000788483	11A1130
5000788998	13A1700
5000789707	13A1575
5000789901	13A1125
5000789902	13A1980

OEM No.	Gates No.
5000789953	13A1125
5000789954	13A1550
5000790661	11A1575
5000790821	11A1575
5000791055	13A2015
5000793150	13A1085
5000793181	13A1175
5000793182	13A1125
5000793621	13A1980
5000816443	11A0950
5000816444	11A1205
5000816447	11A1295
5000816448	13A1125
5000816970	13A0925
5000820749	13A1050
5000820750	13A1425
5000821492	11A1130
5000831564	11A0985
5000831565	11A1180
5000878606	13A1050
5000878607	13A1375
5000879339	13A1575
5000879340	13A1780
5000882120	13A0950
5000954214	13A1625
5000988566	13A1030
5000988950	13A1065
5001014471	13A1085
5001014472	11A0915
5001014473	13A1175
5001014573	13A1150
5001014574	13A1450
5001014844	11A0735
5001014845	11A0815
5001014846	11A0850
5001014847	13A1090
5001014848	13A1100
5001821492	11A1130
5001821740	11A0940
5001822055	13A0875
5001822135	11A1060
5001822405	13A1600
5001822980	13A1600
5001823624	13A1525
5001844336	13A1750
5001846589	13A1880
5003344281	5PK1105
500344281	5PK1105
500345344	6PK925
500346828	6PK955
500385160	6PK1000
500388408	7PK1080
500786245	13A1475
500E8620B	13A1100

OEM No.	Gates No.
5010019725	13A1475
5010222059	13A1825
5010257794	13A1300
5010258298	11A1270
5010284590	13A1500
5010284593	11A1075
5010284687	11A0965
5010284890	13A1175
5010284906	6PK1050
5010284916	4PK1015
5010437106	6PK1050
5010437130	13A1525
5010437300	13A1050
5010437301	13A1065
5010437309	13A1065
5010437598	6PK1050
5010437648	6PK1050
5010450699	11A1270
5013543	11A0950
5015593	6PK2055
5016346	13A0850
5016347	10A0635
50211318004	11A0950
50260849	13A0800
5029455	11A1180
5029455	11A1170
5030074	4PK1510
50310724004	11A0750
5033885	13A1350
5034622	13A1200
5035282	13A1325
5035465	11A1450
5037542AA	6PK2080
504012393	4PK980
504066407	4PK900
504087247	4PK1100
504092340	6PK1165
504101	11A0825
504171190	6PK955
504171191	6PK1000
504396/1	11A1060
504396/2	11A0950
504396/3	11A1130
5044725	13A1275
505341/3	13A1725
505341/7	13A0875
5066931AA	6PK1420
5066932AA	4PK900
5080313AB	6PK1600
5086571AA	6PK1575
50903137	11A0955
5096317AA	4PK890
5097758AA	6PK2385
5103564AA	6PK2275

OEM No.	Gates No.
5103565AA	6PK2260
511963	11A0950
5-13671-106-0	13A1500
5-13671-111-0	13A1345
5-13671-113-0	13A1500
513907	11A0890
517039000	5PK915
51758124	6PK1385
51758365	6PK1420
51758366	6PK1420
5175961AA	7PK2035
51768740	6PK2150
51780011	6PK2150
520007	11A1030
522066100	11A0785
522704	11A0825
524200	11A1060
526149	11A0850
527288	11A1060
5281111	6PK2515
5281140	6PK2080
5281276	6PK2460
5281315AC	6PK2325
5281351AC	6PK2325
530010314	6PK2415
53001119	6PK1995
53001120	6PK2080
53001772	13A0825
53001773	11A0840
53001774	10A0685
53002341	13A0975
53002899	6PK2605
53002900	6PK1855
53006870	6PK2480
53007539	6PK2460
53007595	6PK1810
53008722	6PK2190
53008744	7PK2285
53010010	6PK1755
53010027	6PK2500
53010150	6PK2325
53010234	6PK2275
53010254	6PK1970
53010257	6PK1995
53010269	6PK2480
53010275	6PK2460
53010276	6PK2460
53010279	6PK2500
53010283	6PK1755
53010284	6PK1810
53010285	6PK1810
53010288	6PK2190
53010289	7PK2285
53010304	7PK2240

OEM No.	Gates No.
53010311	6PK1980
53010314	6PK2415
53011012	6PK1900
53011035	6PK2325
53011097	7PK2265
53011097AB	7PK2265
53011098	7PK2275
53012002	6PK2415
53012009	6PK2250
53013209AC	6PK1910
53013298AA	6PK2250
53013352AC	6PK2150
53013600AA	6PK2605
53013676AB	6PK2080
53013905AA	6PK2190
53013905AC	6PK2200
53031118	6PK1810
53032037	6PK2210
53032037AC	6PK2230
53032037AF	6PK2230
53032037AI	6PK2230
53032037AJ	6PK2200
53032037AL	6PK2230
53032125AB	6PK2230
53032125AE	6PK2200
53032755AA	6PK2230
53032817AA	6PK2200
53032817AB	6PK2200
53041068	7PK2635
53054339	6PK2275
53054449	6PK2275
53121039	11A0890
5340526	6PK1810
5340534	6PK1900
5342464	6PK1930
53430443	6PK1930
5343280	6PK1900
53472135	11A0985
53903137	10A0900
5414408L	11A0985
5414629	11A1180
5414629N	11A1180
5415743X	11A1120
5427290H	11A0775
5430452	11A0825
5430452C	11A0825
5434219Y	11A0865
5435171	4PK945
5435174	6PK1675
5440191	11A0800
5450L0	6PK1115
545482	11A0800
54709305	11A0825
54903137	11A0865

OEM No.	Gates No.
5490460N	11A0840
5490500Y	11A0865
5490803S	11A0725
5490814L	11A0840
5491191J	11A0725
5491218C	11A0850
5491758	10A0710
5492554	10A0610
5492684	11A0840
5494188	11A0825
55181713	6PK1840
55182511	4PK1015
55185077	6PK1180
55185078	6PK1320
55186364	6PK1730
55188139	5PK1080
5518907	11A0825
55189677	6PK1840
55189679	6PK1840
55189680	6PK1815
55189684	6PK1740
55189686	6PK1740
55189687	6PK1755
55189689	6PK1755
55191004	6PK1270
55191005	6PK1270
55191006	6PK1195
55191970	5PK1145
55192075	6PK1040
55192799	5PK940
55192802	3PK675
55193360	6PK1590
55193679	6PK825
55193795	5PK1145
55194752	6PK1050
55200252	6PK1385
55200253	6PK1420
55200255	6PK1050
55201362	6PK1730
55201363	6PK1730
55202378	6PK1255
55202585	6PK1255
55202586	6PK1180
55202621	6PK1320
55218886	6PK1675
552282	11A0950
55350419	5PK1455
55350421	5PK1545
55351458	5PK1030
554021602	11A0955
55556404	5PK1030
55556430	5PK1590
55559175	6PK2125
55564662	6PK1730

OEM No.	Gates No.
5590344	6PK2415
561239	13A1125
563132	11A1030
563132	11A1060
568082	13A1150
56992-692-004	11A0940
56992-692-0040	11A0940
56992-692-013	11A0940
56992-692-0130	11A0940
56992-P02-003	4PK815
56992-P02-004	4PK815
56992-P04-004	4PK1065
56992-P04-J02	4PK1065
56992-P0A-003	4PK1065
56992-P0A-004	4PK1065
56992-P0A-A01	4PK1065
56992-P0A-J01	4PK1065
56992-P0A-J02	4PK1065
56992-P11-003	4PK1015
56992-P13-003	4PK1015
56992-P1J-E01	4PK845
56992-P1K-E03	4PK815
56992-P2A-003	4PK845
56992-P2A-004	4PK845
56992-P2T-003	4PK875
56992-P2T-004	4PK875
56992-P30-003	4PK865
56992-P30-004	4PK865
56992-P3F-003	4PK900
56992-P3F-004	4PK890
56992-P44-G03	4PK1065
56992-P45-G01	4PK1065
56992-P5G-003	4PK950
56992-P5K-004	4PK1050
56992-P5T-G00	6PK1180
56992P5TG01	6PK1180
56992-P5T-G20	6PK1460
56992-P72-003	4PK925
56992-P72-004	4PK925
56992-P76-003	4PK1015
56992-P8A-A01	4PK1115
56992-PAA-A01	4PK1065
56992-PC6-003	11A0900
56992-PC6-0030	11A0900
56992-PC6-004	11A0900
56992-PDA-E01	4PK1065
56992-PDE-E01	4PK1015
56992-PE0-003	11A0875
56992-PE0-003	11A0890
56992-PE0-004	11A0875
56992-PEJ-004	3PK895
56992-PG6-003	11A0900
56992-PG6-004	11A0900
56992-PGM-003	4PK1090

OEM No.	Gates No.
56992-PH1-003	11A0900
56992-PH1-004	11A0900
56992-PH3-004	11A0900
56992-PH7-003	11A1060
56992-PK1-003	4PK980
56992-PK1-004	4PK980
56992-PK1-013	4PK980
56992-PL2-003	11A1075
56992-PL2-0030	11A1075
56992-PL2-6610	11A1075
56992-PLM-003	4PK1015
56992PLM004	4PK1005
56992-PM3-003	11A0785
56992-PM3-0031	11A0785
56992-PM3-004	11A0785
56992-PM3-0041	11A0785
56992-PM7-003	11A0800
56992-PM7-004	11A0800
56992-PO2-003	4PK815
56992-PO2-004	4PK815
56992-PP2-E010	11A0890
56992-PP2-E020	11A0890
56992-PP5-E01	11A0940
56992-PP5-E02	11A0940
56992-PSA-004	4PK1030
56992-PT0-003	4PK1050
56992-PT0-004	4PK1050
56992-PT0-J01	4PK1065
56992-PT0-J02	4PK1065
56992-PTO-J01	4PK1065
56992-PTO-J010	4PK1065
56992-PTO-J02	4PK1065
56992-PV0-003	4PK735
56992-PV0-004	4PK735
56992-PY3-004	4PK950
57161-H1300	4PK1080
57161-H1500	4PK830
5717002710	4PK750
57170-02710	4PK750
57170-2D000	3PK675
57170-2D001	3PK650
57170-2D100	3PK665
571702D101	3PK675
57170-33900	13A0675
57170-33910	13A0675
57170-34000	13A0650
57170-36100	13A0660
57170-38000	5PK1120
5717038010	5PK1390
57170-38010	5PK1390
57170-39000	5PK915
57181-43000	13A0750
57181-43100	13A1000
57181-4A000	4PK1065

OEM No.	Gates No.
5720E2	6PK1100
572192	13A1125
57231-02000	13A0775
57231-21000	13A0675
57231-22000	4PK610
57231-22500	13A0675
57231-23500	4PK640
57231-24000	13A0620
57231-28000	13A0620
57231-28100	13A0620
57231-28140	13A0675
57231-28400	13A0675
57231-28410	13A0675
57231-29000	13A0650
57231-29050	4PK610
57231-29100	13A0675
57231-29200	13A0675
57231-31000	13A0975
57231-33910	13A0675
574046	11A0890
574090	11A0750
574527	13A1085
574901	10A0610
574902	10A0610
574905	10A0650
574908	10A0710
574909	11A0725
574910	11A0725
574911	11A0750
574912	11A0775
574912	11A0785
574913	11A0785
574914	11A0800
574915	11A0815
574918	11A0850
574919	11A0890
574921	11A0900
574921	11A0915
574922	11A0925
574924	11A0940
574926	11A0980
574928	10A1010
574929	11A1030
574930	11A1060
574932	11A1130
574933	11A1145
574934	11A1180
574935	11A1205
575011	11A1075
575012	11A0940
575013	10A1150
575014	11A0965
575015	11A1220
575016	11A1120

OEM No.	Gates No.
575017	11A0950
575019	11A1180
575020	10A1010
575022	11A1120
575026	11A0875
575026	11A0890
575027	6PK1755
575028	10A0675
575029	11A0900
575030	11A0750
575031	11A1105
575032	11A0900
575035	10A1010
575036	11A0750
575037	11A0785
575040	11A0725
575042	10A1010
575044	11A0750
575046	11A0735
575049	11A1105
575051	11A0750
575052	11A0925
575053	10A0710
575054	11A1180
575055	4PK700
575056	4PK970
575058	11A0940
575060	11A0750
575061	11A0850
575062	4PK980
575063	11A0925
575066	4PK1210
575069	4PK715
575070	4PK955
575072	11A1060
575073	10A0710
575074	5PK725
575075	5PK1015
575076	4PK790
575077	5PK725
575078	4PK1230
575079	5PK970
575080	4PK855
575081	5PK1235
575082	10A0675
575083	5PK700
575084	5PK1270
575085	5PK855
575086	5PK700
575087	5PK1135
575088	5PK710
575089	5PK1120
575090	11A0775
575091	5PK1165

OEM No.	Gates No.
575092	5PK735
575094	4PK715
575095	5PK1030
575096	6PK1700
575097	6PK700
575098	6PK1065
5750A0	6PK1105
5750A1	6PK1660
5750A2	6PK1085
5750A5	6PK700
5750A6	6PK1130
5750C0	5PK1145
5750C1	6PK1180
5750C2	5PK1030
5750C3	6PK730
5750C4	5PK855
5750C5	5PK775
5750C7	5PK800
5750C8	5PK1260
5750C9	6PK1145
5750D0	5PK1195
5750D1	5PK1195
5750D2	5PK725
5750D3	5PK725
5750D4	5PK1165
5750D7	5PK700
5750D8	5PK690
5750D9	6PK925
5750E2	6PK1105
5750E5	6PK730
5750E6	6PK925
5750E7	6PK825
5750E8	6PK1015
5750E9	6PK1145
5750EJ	6PK1590
5750EK	6PK1715
5750EM	6PK1470
5750EN	6PK1385
5750ET	6PK1190
5750EV	6PK1715
5750EW	6PK1590
5750EX	6PK1445
5750EY	6PK1445
5750F0	6PK1700
5750F5	10A0710
5750F6	10A0710
5750FA	6PK1730
5750FC	6PK1730
5750FF	6PK750
5750FG	6PK1190
5750FH	6PK1195
5750FJ	6PK1195
5750FK	6PK1190
5750FN	6PK880

OEM No.	Gates No.
5750FP	6PK1155
5750FQ	5PK1210
5750FR	5PK1210
5750FV	6PK975
5750FW	6PK975
5750FX	6PK1335
5750FY	6PK1715
5750G2	11A0915
5750G5	11A1090
5750G8	4PK700
5750G9	4PK815
5750GC	6PK730
5750GE	6PK1130
5750GF	6PK1740
5750GG	6PK1180
5750GH	6PK1180
5750GJ	6PK1385
5750GK	6PK1740
5750GL	6PK1740
5750GN	6PK1130
5750GP	6PK1385
5750GR	6PK1695
5750GW	6PK1145
5750GX	6PK1155
5750GY	6PK1560
5750GZ	6PK1560
5750H1	4PK955
5750H2	4PK1245
5750H3	5PK700
5750H4	5PK725
5750H5	5PK855
5750H7	5PK1165
5750H8	6PK700
5750H9	6PK730
5750HE	6PK1675
5750HG	6PK1740
5750HH	6PK1740
5750J0	6PK825
5750J1	6PK925
5750J2	6PK1015
5750J3	6PK1085
5750J4	6PK1105
5750J5	6PK1130
5750J6	6PK1145
5750J7	6PK1660
5750J8	6PK1700
5750J9	6PK1700
5750K0	6PK1145
5750K2	5PK775
5750K3	5PK775
5750K4	5PK970
5750K5	5PK970
5750K6	6PK1865
5750K7	6PK1865

OEM No.	Gates No.
5750K8	6PK1065
5750K9	6PK1115
5750KR	6PK1675
5750KT	6PK1715
5750KV	6PK1335
5750KX	6PK1560
5750KZ	6PK1470
5750L0	6PK1115
5750L1	6PK1740
5750L2	6PK1740
5750L3	6PK1155
5750L4	6PK1155
5750L7	4PK1030
5750L9	6PK1165
5750LA	6PK1470
5750LC	6PK730
5750LE	6PK1215
5750LG	6PK1715
5750LH	6PK1715
5750M0	6PK1195
5750M1	6PK1600
5750M2	6PK1650
5750M3	6PK1190
5750M4	6PK1100
5750M5	6PK1100
5750M6	6PK1730
5750M7	6PK1730
5750M9	6PK1165
5750P0	4PK750
5750P1	4PK750
5750P2	6PK1715
5750P5	5PK725
5750P6	5PK725
5750P7	5PK1030
5750P8	5PK1030
5750P9	5PK775
5750PC	6PK1145
5750PF	6PK1000
5750PG	6PK1215
5750PL	6PK1050
5750PN	6PK1050
5750PP	6PK1065
5750PQ	6PK1065
5750PR	6PK1560
5750PS	6PK1885
5750PT	6PK1885
5750PV	6PK730
5750PW	6PK1035
5750PY	6PK1675
5750Q0	5PK775
5750Q1	5PK1050
5750Q2	5PK1050
5750Q3	6PK1470
5750Q5	6PK1600

OEM No.	Gates No.
5750Q6	6PK1620
5750Q7	5PK875
5750Q9	4PK855
5750QE	6PK1675
5750QF	6PK1230
5750QG	6PK965
5750QH	6PK965
5750QL	6PK1210
5750QN	6PK1210
5750QP	6PK1000
5750QQ	6PK880
5750QS	6PK1180
5750QT	6PK1180
5750QV	6PK1590
5750QW	6PK1590
5750QY	6PK1085
5750R0	5PK1260
5750R1	5PK800
5750R2	6PK1600
5750R5	6PK1730
5750R6	6PK1755
5750R7	6PK1600
5750R8	6PK1620
5750R9	6PK1740
5750RA	6PK780SF
5750RC	6PK1215
5750RE	6PK1215
5750RF	6PK1560
5750RG	6PK900
5750RH	6PK1700
5750RK	6PK880
5750RN	6PK1675
5750RP	6PK1035
5750RQ	6PK1715
5750RR	6PK1715
5750RS	6PK1165
5750RT	6PK1165
5750RV	6PK1085
5750RW	6PK1085
5750RX	6PK1355
5750RZ	6PK1195
5750S0	6PK1740
5750S1	6PK865
5750S2	6PK865
5750S3	6PK1035
5750S4	6PK1035
5750S5	6PK1385
5750S6	6PK1385
5750S7	6PK1730
5750S9	6PK1600
5750SA	6PK780SF
5750SE	5PK875
5750SF	5PK855
5750SQ	4PK700

OEM No.	Gates No.
5750SR	11A0925
5750SS	4PK955
5750SW	5PK1270
5750SY	5PK1135
5750SZ	5PK710
5750T0	6PK1620
5750T1	6PK1460
5750T2	6PK1015
5750T3	6PK1560
5750T4	5PK830
5750T5	6PK1470
5750T6	6PK1460
5750T7	6PK1740
5750T8	6PK1740
5750T9	6PK1755
5750TA	5PK1120
5750TE	6PK1065
5750TF	6PK1105
5750TG	6PK1660
5750TH	6PK1085
5750TJ	6PK700
5750TK	6PK1130
5750TL	5PK1145
5750TP	6PK730
5750TR	5PK775
5750TT	5PK1260
5750TV	5PK1195
5750TW	5PK725
5750V0	4PK860
5750VC	6PK1145
5750VF	6PK1445
5750VG	6PK1730
5750VH	6PK1195
5750VJ	6PK1190
5750VK	5PK1210
5750VN	6PK975
5750VP	6PK1335
5750VQ	6PK1715
5750VR	6PK1180
5750VS	6PK1740
5750VT	6PK1130
5750VV	6PK1145
5750VX	6PK1740
5750VY	6PK1700
5750VZ	6PK1145
5750W0	6PK1730
5750W1	6PK1040
5750W2	6PK1040
5750W3	6PK1755
5750W5	6PK1195
5750W6	6PK1730
5750W7	6PK750
5750W8	5PK775
5750W9	5PK775

OEM No.	Gates No.
5750WA	5PK775
5750WC	5PK970
5750WE	6PK1865
5750WG	6PK1560
5750WH	6PK1470
5750WJ	6PK1155
5750WL	6PK1165
5750WN	6PK730
5750WP	6PK1715
5750WQ	6PK1600
5750WR	6PK1100
5750WS	6PK1730
5750WV	5PK725
5750WY	6PK1050
5750WZ	6PK1065
5750X0	6PK865
5750X1	6PK1035
5750X2	6PK1385
5750X3	6PK1730
5750X4	6PK865
5750X6	6PK1385
5750X7	6PK1730
5750X8	6PK1470
5750X9	6PK1470
5750XA	6PK1560
5750XC	6PK1885
5750XE	5PK1050
5750XF	6PK965
5750XG	6PK1000
5750XJ	6PK1180
5750XK	6PK1590
5750XN	6PK1215
5750XR	6PK1715
5750XS	6PK1740
5750XT	6PK1470
5750XW	6PK1040
5750XY	5PK775
5750XZ	6PK865
5750Y0	6PK1385
5750Y1	6PK1385
5750Y2	6PK1195
5750Y3	6PK1730
5750Y4	6PK1560
5750Y5	6PK1715
5750Y6	6PK1385
5750YA	6PK1715
5750YC	6PK1460
5750YE	6PK1560
5750YF	6PK1730
5750YG	6PK1755
5750YH	6PK1675
5750YJ	6PK1085
5750YK	6PK780SF
5750YL	6PK1590

OEM No.	Gates No.
5750YQ	6PK975
5750YX	6PK1245
5750Z0	6PK1460
5750Z1	6PK1460
5750Z2	6PK1560
5750Z3	6PK1560
5750Z4	6PK1730
5750Z5	6PK1730
5750Z6	6PK1755
5750Z7	6PK1755
5750Z8	6PK1445
5750Z9	6PK1445
5750ZG	6PK1195
5750ZH	6PK1700
58145271	10A0545
58260849	4PK850
586452C1	5PK855
5882989	11A0925
5924372	10A0685
5924385	10A0545
5930833	11A0825
5931889	11A1075
5933783	11A0840
5947594	11A0840
5947596	11A1075
5948450	11A1060
5948451	11A1060
5948451	11A1075
5948451	11A1060
5949332	10A0685
5949504	11A0800
5953873	11A0940
5956125	13A0875
5956599	11A0825
596433	11A0900
5978842	11A0915
5980075	11A0735
5985207	11A0775
5990576	11A0890
5990578	5PK830
5990649	11A0915
5990790	11A0890
5992144	5PK865
5992345	11A0965
59971192	13A0955
59975892	11A0925
59976292	13A0825
59976692	11A1005
59976792	11A1005
59976892	13A1005
59976992	13A1020
59977192	13A1020
59977692	13A0900
59977892	11A1140

OEM No.	Gates No.
59978292	13A0875
59979592	11A1105
59979892	13A1275
59979992	13A1275
5L8Q6C301AB	6PK2275
5M5Q6C301BA	6PK1085
5M5Q6C301CA	6PK1355
5M5Q6C301DA	6PK1085
5M5Q6C301EA	6PK780SF
5S6G6006AA	6PK2210
5S6G6006AC	6PK2210
5S6Q6C301BA	6PK2210
5W9Q6C301AD	6PK2055
6.45E+08	4PK815
6000068014	6PK825
6000583845	11A1180
6000589954	11A1200
6001002611	11A0660
6001008128	11A1205
6001023554	5PK1755
6001548021	4PK715
6008693	13A1125
6008696	11A1205
6012012	13A0900
6019970292	6PK2055
6019970592	6PK1000
602319	10A1150
6025814	13A1225
6031973	13A1550
6033739	11A1345
603713	13A0850
6044423	11A0800
6044992	11A0865
6044993	10A1010
6044994	10A1150
6044995	11A0800
6044996	11A1295
6049674	11A0815
60503994	11A0865
60504835	11A0850
60512902	11A0785
60513081	11A0750
60513155	13A0975
60513156	13A0975
60513236	13A1050
60513237	13A1050
60513447	13A0800
60513448	5PK820
60513449	5PK990
60513478	5PK1105
60513614	10A0635
60513650	11A0825
60513663	13A1030
60517424	11A0875

OEM No.	Gates No.
60518176	11A0840
60523210	10A0650
60524560	10A1150
6052763	13A1275
60533516	11A1105
60533611	13A0710
60534343	11A0990
60534411	11A0825
60534452	13A1100
60534466	13A0850
60534566	13A0925
60543218	4PK885
60547821	11A0825
60548814	13A0950
60551888	4PK960
60554148	5PK940
60555044	13A0975
60556707	11A0865
60558595	11A0750
60559574	13A1050
60560616	5PK1015
60561247	7PK1970
60565258	4PK790
60566058	4PK650
60566089	5PK800
60567578	5PK1280
60568842	7PK1180
60571125	6PK965
60573075	7PK1180
6057341	13A1275
6057343	11A1015
6057343	10A1010
60574777	11A0775
60574816	11A0815
60575209	4PK760
6058147	11A1040
6058199	11A1015
6058199	10A1010
6058200	11A0865
6058201	10A1150
60585396	5PK1015
60590385	7PK2045
60591813	11A0825
60595446	7PK1710
60596949	5PK1000
60597250	5PK875
60597794	7PK1710
60604835	7PK1710
60606518	5PK855
60606519	5PK855
60607387	7PK1080
60610910	6PK1840
60610911	6PK1040
60617858	7PK1080

OEM No.	Gates No.
60617859	7PK1935
60617860	6PK1040
60617861	6PK1040
60617862	6PK1840
60617863	6PK1840
60618584	7PK1970
60625590	6PK975
60625927	7PK1935
60626658	6PK1995
60630741	6PK1970
60630747	6PK1855
60652358	7PK1970
60653027	6PK1035
60653028	6PK1840
60653029	6PK1065
60653030	6PK1955
6065559	10A1250
60662969	6PK1085
60662991	6PK1855
60663242	6PK1995
60666949	6PK1040
60666950	6PK1840
60667050	6PK1285
60667257	6PK1815
60674147	6PK1790
60676136	6PK1065
60676137	6PK1035
6069433	13A1030
60704054	13A0800
6070707	11A0985
6076173	13A1125
6077865	11A0815
60800098	11A0840
60800149	13A0875
60800269	11A0915
60800317	11A0775
60800359	11A1090
60800454	11A0840
60801493	11A0825
60805193	4PK1100
60805194	13A0850
60805195	13A0875
60805196	13A0750
60806472	13A0850
60806474	13A0750
60807261	5PK1040
60807358	5PK1050
60807651	11A0915
60808219	4PK760
60808385	7PK1180
60808684	5PK915
60808685	11A0725
60808793	5PK970
60808954	7PK1180

OEM No.	Gates No.
60809019	4PK760
60809160	5PK940
60810821	11A0725
60812429	5PK915
60812430	5PK990
60812494	6PK1040
60813206	6PK1995
60813505	6PK1100
60813506	6PK1040
60813720	6PK1740
60813756	6PK1040
60813757	6PK1840
60814032	6PK1840
60814395	6PK1855
60814616	6PK1755
60814847	6PK1040
60815189	6PK1840
60815621	6PK1840
60815666	6PK1775
60815805	6PK1790
60815887	6PK1840
60815889	6PK1040
60815988	6PK1855
60816054	6PK1840
60816055	6PK1790
60816661	6PK1755
6085347	13A1175
6086008	11A1015
6086008	10A1010
6088696	13A1500
6090671	11A0800
6094632	11A1270
6096292	13A1150
6098572	10A1010
6104232	11A0825
6104676	11A0775
6107313	13A1050
6107712	11A0875
6107729	11A1180
6107729	11A1170
6109565	13A1225
6110531	11A0915
6112414	10A1010
611612	13A1000
6116759	13A1525
6122575	11A1075
6126515	10A0675
6129970092	6PK2250
6130086	5PK820
6132587	11A0890
6132587	11A0885
6132588	11A1180
6132588	11A1170
6134738	11A0800

OEM No.	Gates No.
6134739	11A0785
613602	11A1225
6137573	11A0840
6138211	11A1040
614106	13A0925
6141305	10A0675
6144781	13A0900
6144787	13A1175
6146114	11A1040
6146160	11A0890
6146160	11A0885
6146161	11A0875
6146319	4PK1510
6146320	4PK1510
614670	13A1000
6147689	11A0950
6153229	11A0915
6154540	11A1180
6154540	11A1170
6155206	11A0915
6155998	11A1015
6155998	10A1010
6156360	11A0925
6158123	13A0900
6158124	13A0900
6158131	13A1175
6158132	13A1175
6158518	11A0760
6158691	10A0675
6158758	11A0950
6158759	10A0710
6161559	11A0985
6166102	13A1150
6166103	13A1030
6166104	10A0685
6167901	10A0685
6168158	6PK1815
6169928	13A1200
6169929	13A1200
6170166	3PK825
6174131	13A1030
6174797	11A0800
6175292	11A0915
6180848	5PK1015
6180849	5PK1015
6180852	6PK1630
6180853	6PK1630
6180854	6PK1420
6180855	6PK1420
6182205	4PK1510
6182328	3PK650
6182475	13A1030
6182476	13A1150
6182611	5PK790

OEM No.	Gates No.
6182615	6PK1815
6185100	3PK1025
6185651	3PK650
6185652	3PK810
6188985	13A1085
6189780	13A0950
6196578	11A0800
6196579	11A0800
6198309	6PK1270
6200264	6PK1900
6200265	6PK1900
6200268	6PK1540
6200269	6PK1540
62145933	6PK1630
62260849	6PK2125
622E8620A	13A1150
622E8620B	13A1175
62903137	6PK2005
6429970292	7PK2035
64521258239	13A0825
64521268683	13A0825
64521268695	13A0800
64521276096	13A0825
64521277426	13A0800
64521289592	13A0800
64521304393	13A1050
64521354948	13A0800
64521706826	13A0800
64521711056	13A0800
64521722371	13A0850
645221354948	13A0800
645377	4PK840
6453A0	4PK1015
6453AC	5PK1030
6453AE	5PK1030
6453AF	5PK1030
6453CT	5PK1105
6453CV	5PK1105
6453CY	5PK1030
6453CZ	5PK1030
6453E5	4PK815
6453FJ	5PK1105
6453FK	5PK1105
6453L2	4PK840
6453NY	5PK1105
6453TT	4PK1100
6453TV	5PK1030
6453W0	6PK925
6453W1	6PK925
64551716960	13A0825
64551717954	13A0850
64551722990	13A0825
64551727378	4PK855
64551734669	13A0900

OEM No.	Gates No.
64551739470	4PK890
64552243732	4PK775
64552245179	4PK790
64552245451	4PK775
64552245850	4PK840
64552246732	4PK775
64552247183	5PK830
64552247425	5PK800
64552248190	5PK1120
64557785212	4PK970
64557786170	5PK800
64557786171	5PK830
64557786705	4PK885
64557787898	5PK915
64557792851	4PK840
64557793608	4PK830
64557795144	4PK8955F
645592	13A1350
6455B2	4PK960
645627	13A1350
645641	13A1375
645701	13A0900
645753	13A1000
6460878	6PK1420
6460879	11A0990
6483250	6PK1000
6483251	6PK1000
6511601	6PK1560
6511602	6PK1560
6518069	4PK1490
6518322	4PK1510
6534254	4PK960
6534255	4PK960
6543CH	5PK1080
6550963	6PK1355
6550964	6PK1355
6592377	5PK1050
6593893	3PK675
6606513	6PK1420
6606514	6PK1420
6613362	6PK1420
6613363	6PK1420
6619974692	6PK2080
6656187	13A1200
6659970392	6PK2250
6672H/54	13A1700
6680459	3PK650
6680460	3PK810
6727879	6PK1715
6738365	6PK925
6738366	6PK925
674E8620	13A1225
6758562	6PK1630
6758564	6PK1000

OEM No.	Gates No.
6776020	5PK885
6788619	6PK1810
6788621	6PK1955
6788622	6PK1955
6792801	11A0800
6793377	4PK980
6793378	4PK980
6805275	4PK980
6811351	6PK2080
68226-03801	13A0980
68260849	13A0955
6833788	6PK1815
6833789	6PK1900
683F8620BA	13A1150
683F8620GAA	13A1350
683F8620HAA	13A1125
684121300	13A1325
684121325	13A1325
684121425	13A1425
6842244	5PK870
6844096	6PK1650
6849008	6PK1620
6849009	6PK1270
686617C91	13A1650
689443C91	13A1920
6904228	5PK1015
6911495	5PK580
691F8620AA	11A0750
692F8A602AA	10A1250
6958518	11A0750
6958518	11A0760
6960612	6PK1270
6961947	6PK1650
6992533	6PK940
6994216	5PK710
69970592	13A0980
69970792	11A1005
69970992	13A0750
69971592	11A1140
69971892	11A0955
69972492	10A0750
69972692	11A0990
69973092	11A0980
69973292	11A0940
69976092	11A1105
69976392	13A0925
69976492	13A0875
69976892	13A0825
69978492	11A1105
69979292	11A0980
69979792	13A1020
69DB2890BA	13A1030
69MF8A615BAA	13A1225
6C1Q6C301AC	4PK920

OEM No.	Gates No.
6C1Q6C301CB	6PK1675
6C1Q6C301CC	6PK1675
6C1Q-6C301-FA	6PK2200
6C1Q6C301HB	7PK2850
6C1Q6C301HC	7PK2850
6C1Q6D314AA	4PK920
6C1Q6D314AB	4PK920
6G9N-8620-BB	6PK1195
6G9Q6C301BA	6PK1195
6G9Q6C301CA	6PK2205
6G9Q6C301DB	6PK1695
6G9Q6C301EA	6PK1695
6H5Q6C301BA	6PK1740
6M5Q6C301BB	5PK890
6M5Q6C301EA	6PK975
6PK1675	6PK1675
6PK1720	6PK1715
6Q0260849	6PK1730
6Q0260849A	6PK1730
6Q0260849C	6PK1730
6Q0903137A	6PK1085
6T1Q6C301AA	6PK1740
6U0903137A	4PK950
7003984	6PK925
7007791	4PK860
7008651	6PK1930
7008652	6PK1555
7019148	6PK1540
7026196	11A0850
703F8620ABA	13A1200
703F8620ACA	13A1350
703F8620ADA	13A1150
7040340	4PK830
7064725	6PK1420
7064726	6PK1775
7064727	6PK1930
7064728	6PK1970
7072656	7PK2225
707766	11A1145
7082866	4PK1015
70TF8620AA	11A1075
70TF8620DA	13A1200
70TF8620EA	10A1010
70TN8620AA	11A1180
70TN8620PA	11A1060
711644	11A0800
7119990161	11A0955
711F8620AA	11A0840
7120853	6PK1630
7120854	6PK1420
713053	11A1030
7136447	6PK1015
7136449	6PK1650
713657	11A1145

OEM No.	Gates No.
7143870	6PK1675
7158659	4PK650
715F2890AAA	11A0925
715F2890ABA	11A0925
715F2890ABA	11A0940
715F8620ABA	11A0890
715F8620ACA	10A1250
715F8620ADA	11A1295
715F8620AEA	11A1180
715F8620AGA	11A0890
715F8A615ABA	11A0890
71712149	5PK1050
71712677	7PK2045
71718718	4PK675
71718838	4PK840
71719007	5PK990
71719034	4PK915
71719035	4PK870
71719039	4PK700
71719079	5PK925
71719174	4PK910
71719394	6PK1840
71719395	6PK1790
71719396	6PK990
71719397	5PK950
71719399	3PK710
71719400	6PK1145
71719401	6PK1775
71719407	5PK970
71719414	3PK710
71719640	13A1050
71719641	11A0865
71719644	6PK1050
71719645	6PK1815
71719738	4PK675
71719745	5PK915
71728659	6PK1085
71728660	6PK1855
71732350	5PK1145
71732372	6PK1955
71732386	6PK1065
71732394	6PK1790
71734476	6PK1840
71734715	6PK1755
71734716	6PK1740
71734717	6PK1815
71736242	6PK1270
71736257	6PK1360
71736710	7PK2045
71737159	4PK1015
71738160	5PK950
71738161	3PK710
71739006	4PK545
71739512	6PK1270

OEM No.	Gates No.
71739605	13A0750
71739606	4PK545
71739607	4PK675
71739608	4PK715
71739609	4PK940
71739610	5PK970
71739618	5PK885
71739619	3PK680
71739620	6PK940
71739621	4PK950
71739622	5PK1105
71739623	4PK960
71739900	11A0915
71739905	5PK940
71739910	6PK1755
71739911	5PK975
71739915	6PK1840
71739916	6PK1790
71739921	6PK1660
71739923	6PK1740
71739924	6PK1740
71739925	4PK775
71739928	6PK925
71739929	6PK955
71740485	4PK685
71742126	4PK815
71742127	5PK830
71743889	6PK1385
71744462	6PK1255
71745115	6PK1180
71746480	6PK825
71746482	6PK1255
71746714	6PK1385
71749421	5PK970
71749424	4PK910
71749430	5PK1050
71749441	6PK925
71749447	5PK1165
71749452	6PK1755
71749454	7PK2045
71749457	6PK940
718F8620AAA	11A1060
7198530	6PK1145
7198532	6PK1040
7198535	7PK1285
7198536	7DPK1360
71HF8620AB	11A0865
71HF8620CA	11A0865
71TF8620AA	10A1010
7204035	6PK1815
7204036	6PK1590
7204039	3PK680
722F820EB	11A1320
722F8620DC	13A0900

OEM No.	Gates No.
722F8620EB	11A1320
722F8620FA	11A1295
7234	13A1255
7237	13A1275
7239510	6PK1575
723F8620AAA	13A1150
723F8620ABA	13A1125
723F8620AEA	11A1180
723F8620AHA	11A1205
7252517	4PK1490
7252518	4PK1510
725F8620BAA	13A1225
7286575	6PK1930
7287675	6PK1930
72HF8620BA	11A0875
72TF8620BA	13A1175
72TF8620DA	10A1150
7301221	11A0915
73013-AA000	4PK885
73013-PA000	4PK855
73013-TA070	4PK960
7301775	11A0900
7302203	11A0900
7302791	10A0635
7302819	10A0710
7303004	11A0925
7303315	11A0775
7303462	11A0815
73036-GA100	4PK980
73036-GA110	4PK1120
73036-GA120	13A0975
73036-GA130	13A1150
73036-GA140	13A0950
73036-GA150	13A1100
731053	11A1030
7310-56030	3PK650
7310608	6PK1755
7310609	6PK1900
73323-AA010	4PK900
73323-AC000	4PK900
73323-AC010	4PK900
73323AC011	4PK900
73323-AC011	4PK900
73323AP010	4PK900
73323-FA000	4PK885
73323-FA030	4PK885
73323SA000	4PK855
73501580	6PK1755
73501649	6PK1195
73502928	6PK1360
73502929	6PK1360
7400269672	11A1105
7410970	5PK1015
742F8620AA	13A0900

OEM No.	Gates No.
742F8620BA	11A1345
7436379	11A1145
7439146899	6PK1245
7439146900	6PK1600
74903137	11A0835
749F8620AAA	13A1550
749F8620ABA	13A1550
749F8K569ABA	6PK1115
74TF8620EA	13A1225
74TF8620FA	13A1275
7511728	11A0985
75145271	13A0800
75260849	13A0875
7533397	11A0775
7540063	11A0815
7541662	11A0915
7546910	11A0875
7547752	5PK1345
75490809	11A0775
75491758	10A0710
7549175810	10A0710
75491768	10A0710
75491898	11A0850
75492093	11A0825
75492161	11A0850
75492300	11A0840
75492376	10A0610
75492515	11A0775
75492554	10A0610
75492684	11A0840
7551674	5PK1615
75519264	11A0725
7552281	11A1090
7552380	11A0775
75524245	11A0825
7553224	5PK855
7553226	5PK855
7553716	10A0685
7554502	11A0750
7554605	11A1130
7564923	11A0800
7565945	6PK1620
7574198	11A0840
7575315	10A1010
7576113	11A1130
7576114	11A1090
7579881	5PK1615
7580223	11A0965
7580224	11A1030
7581316	11A0825
7581317	11A0825
7581464	10A0675
7581805	13A0710
7589248	13A0825

OEM No.	Gates No.
7596397	11A1030
7596679	5PK1590
7597531	10A0815
7604445	5PK990
7604702	11A0825
7604704	10A0545
7609091	11A0915
7609093	11A0890
7610476	10A0710
7610944	10A0675
7611334	10A0650
761473	13A1325
761474	13A1325
7614957	11A0735
761499	13A1375
7615058	5PK990
7617214	13A1050
7617278	13A0850
7617420	11A0940
7617421	4PK890
761769	13A1375
7618111	5PK925
7618521	11A0840
7618732	10A0685
7619418	10A0675
761F8620AA	11A0800
7621046	5PK1065
7621256	13A0875
7623460	13A0850
7623829	10A0685
7627106	5PK915
7627201	5PK1015
7627908	13A0850
7628729	11A0725
7629031	5PK915
7629229	5PK915
7629235	13A0750
7629316	13A0800
7629479	5PK915
762F8620AA	11A1295
762F8620BA	11A1320
7631375	5PK925
7631670	11A0850
7631671	11A0850
7632090	5PK970
7633335	11A0735
7633936	4PK1100
7635566	4PK1100
7636057	4PK1050
7636058	4PK1050
7636059	4PK1065
7636060	4PK1065
7636448	3PK675
7636895	3PK900

OEM No.	Gates No.
7636896	3PK900
7638224	11A0735
7638225	11A0735
7640256	5PK915
7640257	5PK990
7640258	5PK925
7640261	11A0915
7644467	5PK970
7644875	4PK960
7644876	4PK960
7644928	11A0800
7646849	5PK1050
7649219	13A0850
7650608	11A0850
7651197	4PK910
7651198	4PK910
7651549	13A0750
7651558	5PK970
76515588	5PK970
7652117	11A0865
7652245	4PK1100
7653808	7PK1710
7655543	13A0850
7655544	13A0750
7657701	4PK925
7657703	4PK925
7658133	5PK1000
7659699	10A0675
7662411	11A0915
7670173	5PK1000
7671401	11A0950
7671402	11A0915
7675213	4PK545
76770211	4PK675
7685362	11A1060
7685363	11A1075
7685363	11A1060
7689128	13A0775
76903137	10A0815
7691010	13A0875
7692630	11A0890
7692828	11A0865
7692829	11A0865
7695968	5PK1040
76HF8620BA	11A0865
76HF8620CA	11A0865
76TF8620BA	10A1010
76TF8620DA	10A1150
7700006809	11A1225
7700101261	6PK1755
7700101474	6PK1400
7700105888	6PK1190
7700107175	6PK1755
7700107493	5PK1120

OEM No.	Gates No.
7700107494	5PK1105
7700108148	5PK1120
7700108589	6PK1145
7700109226	5PK1120
7700109477	6PK1790
7700111671	5PK1755
7700112719	6PK1210
7700114235	6PK1660
7700114352	6PK1400
7700114635	6PK1130
7700114730	6PK1130
7700260049	5PK1435
7700260886	6PK1035
7700260887	4PK1120
7700260889	6PK1245
7700267321	13A0925
7700267464	5PK1330
7700267465	5PK1435
7700267945	13A0925
7700268227	13A0850
7700268229	10A0635
7700268230	10A1250
7700268232	10A1250
7700268296	11A0760
7700268754	10A1250
7700271121	10A0685
7700271122	11A0725
7700271132	4PK1270
7700271218	3PK775
7700271603	4PK1180
7700271648	6PK1555
7700271741	6PK1555
7700272653	4PK1170
7700272741	6PK1555
7700273010	4PK1260
7700273245	4PK1270
7700287945	13A0925
7700300347	5PK1195
7700300348	6PK860
7700300614	6PK840
7700315600	6PK880
7700321502	11A1225
7700332862	6PK1165
7700348137	11A0660
7700503052	11A0850
7700525075	11A1205
7700525076	11A1225
7700532588	10A0635
7700545221	11A0825
7700546002	11A0825
7700546003	11A0825
7700549230	11A1225
7700557552	11A0850
7700559731	10A0710

OEM No.	Gates No.
7700565018	11A0725
7700567695	10A0650
7700579245	11A1075
7700580482	11A0850
7700585501	13A1030
7700615317	11A0660
7700619572	10A0635
7700621031	10A0710
7700622509	11A0660
7700624261	11A0725
7700624262	11A0850
7700624361	11A0725
7700627033	11A0815
7700627459	11A1075
7700630569	11A0900
7700630569	11A0915
7700632624	13A0950
7700634518	10A1010
7700638898	11A0760
7700639484	11A1295
7700640354	11A0985
7700646222	11A0825
7700647366	11A1075
7700647521	11A1015
7700648156	11A0850
7700649825	11A0760
7700658289	10A1010
7700658289	11A1015
7700662412	10A0710
7700663010	11A1015
7700664248	11A1225
7700667399	11A1015
7700667586	13A0875
7700670935	11A1225
7700673236	10A0610
7700673239	11A0660
7700677162	13A0875
7700680398	11A1295
7700680399	11A1015
7700682388	11A0800
7700683283	11A0825
7700685633	11A1145
7700690029	13A0825
7700690965	11A1145
7700691465	13A1030
7700694741	11A1030
7700694741	11A1015
7700694741	11A1030
7700694741	11A1030
7700696825	11A1030
7700697947	11A1180
7700699438	13A1030
7700704697	10A0710
7700704698	10A0710
7700704701	10A0710

OEM No.	Gates No.
7700706942	11A0750
7700709398	4PK875
7700717899	4PK885
7700718261	4PK885
7700720082	13A0875
7700720452	5PK870
7700720582	11A1030
7700720582	11A1015
7700720582	11A1030
7700720780	5PK1165
7700722704	6PK1715
7700723964	6PK880
7700729330	4PK875
7700729371	10A1150
7700729540	5PK855
7700729751	6PK1180
7700729752	6PK1145
7700731717	11A1145
7700731718	11A1145
7700731789	11A1180
7700732795	11A1145
7700733788	5PK885
7700734955	5PK885
7700735904	6PK1695
7700735905	6PK1460
7700736204	10A1010
7700738035	6PK1105
7700738783	6PK1420
7700740637	6PK1165
7700742336	10A0685
7700743548	6PK880
7700743549	6PK1180
7700744380	6PK1165
7700744391	11A0725
7700744961	5PK855
7700745397	6PK1015
7700745599	13A0950
7700746125	10A1010
7700747381	6PK865
7700749099	11A1030
7700749104	10A1010
7700749108	10A1010
7700749115	11A0760
7700749117	11A0760
7700749118	11A0760
7700749393	6PK900
7700749528	3PK710
7700850028	3PK810
7700850113	3PK710
7700850114	4PK1065
7700850766	6PK1190
7700851954	6PK1555
7700853230	6PK1145
7700853616	6PK1190

OEM No.	Gates No.
7700853838	3PK895
7700853887	4PK1210
7700853990	4PK1210
7700854083	10A1250
7700854326	4PK1065
7700854327	11A0760
7700854495	3PK895
7700855096	4PK1065
7700855098	6PK1740
7700856107	4PK735
7700857065	6PK1165
7700857070	6PK1660
7700857071	6PK1420
7700858053	10A1010
7700858058	10A1010
7700858762	10A1150
7700859638	6PK1955
7700859639	6PK1015
7700859654	6PK1695
7700860463	6PK1650
7700860833	5PK900
7700861464	5PK655
7700861465	5PK775
7700861466	5PK1370
7700861467	4PK960
7700862173	5PK1260
7700862272	10A1150
7700864019	5PK820
7700864813	6PK1155
7700865429	6PK1145
7700865588	5PK1515
7700866063	6PK1130
7700866437	3PK840
7700867939	5PK915
7700867969	5PK915
7700868273	5PK875
7700868878	6PK1130
7700869440	6PK890
7700869538	6PK1650
7700869685	4PK990
7700869686	4PK1245
7700869687	3PK1040
7700870367	4PK735
7700870896	4PK735
7700870961	6PK1695
7700872533	5PK875
7700874202	6PK1400
7701017999	11A1060
7701035651	4PK560
7701035652	5PK820
7701039690	5PK925
7701040944	4PK560
7701052770	6PK1930
7701055086	6PK1930

OEM No.	Gates No.
7701057890	7PK1930
7701057891	7PK1640
7701064333	5PK885
7701064344	6PK1650
7701064349	5PK875
7701065088	6PK1215
7701348137	11A0660
7701348228	11A0725
7701348230	11A0760
7701348323	10A0650
7701348346	13A0850
7701348507	11A1015
7701348508	11A1075
7701348549	10A0710
7701348934	11A1295
7701349028	11A0825
7701349038	11A0825
7701349225	10A0610
7701349245	11A0800
7701349538	11A1145
7701349590	11A0950
7701349594	10A1010
7701349620	11A1015
7701474514	6PK1100
7701474517	4PK775
7701474950	6PK1105
7702169	5PK1050
7702175	4PK900
7702740	5PK1040
7703305	11A0725
7704978	4PK675
7706132	5PK970
7718418	5PK1105
7720922	13A1050
7720923	13A1050
7721293	5PK940
7721703	10A0675
7723828	10A0685
7723829	10A0685
7730052	6PK890
7730054	6PK925
7732138	5PK885
7736314	10A0685
7743134	10A0685
7743660	4PK865
7745354	4PK715
7749145	5PK940
7750728	3PK680
7750729	4PK815
7753009507	11A0925
7753012540	13A1255
7753473	3PK710
7753474	4PK950
7758970	5PK925

OEM No.	Gates No.
7758972	4PK960
7761146	4PK940
7761147	5PK940
7763320	13A1050
7763980	4PK900
7764894	4PK925
7765715	5PK925
7765716	4PK910
7765717	5PK970
7765718	4PK960
7765719	5PK885
7765720	10A0685
7766106	6PK1145
7766684	6PK1040
7768335	11A0735
7771529	4PK1005
7771530	10A0685
7771742	11A0840
7773139	5PK1080
7776569	10A0710
7776570	10A0650
7776571	11A0725
7778459	3PK945
7780420	6PK940
7780556	6PK990
7780557	6PK990
7781034	4PK750
7788011	6PK1685
7788553	4PK825
7788554	3PK680
7789700	5PK1435
7798114	6PK1245
7798722	6PK700
7799581	4PK855
77BF6C301AC	11A0800
77DB2890AA	13A1030
780000120	13A1170
78000012-0	13A1175
7813076000	11A0890
785F8620AAA	10A1250
78903137	6PK1675
78EF8620CA	11A1205
78EF8620EA	11A0760
78HF8620BA	11A1040
78HF8620BB	11A1015
78HF8620BB	10A1010
78HF8620CA	11A0865
78HF8A615AA	11A1040
78TF6C301BA	13A1275
78TF6C301CA	13A1275
78TF8620CA	11A1015
78TF8620CA	10A1010
78TF8620EA	10A1150
79226572	11A0950

OEM No.	Gates No.
79226573	11A1015
79226578	13A1350
79-32563795	10A0650
79-32563844	11A0890
79-32564068	11A1030
7932584733	11A1055
7932585109	10A0650
7932585135	11A1130
795088	13A1150
79970392	13A1020
79971892	11A0980
79972692	11A0980
79977692	11A1105
79978092	6PK1980
79978292	6PK2250
79978492	6PK2125
79979092	6PK1015
79979492	6PK1015
79EF8620CA	11A0760
79TF6C301DA	11A0985
79TF8A615AA	11A1015
79TF8A615AA	10A1010
7G9Q6C301BA	6PK2250
7M0145271	10A0675
7M0145271A	11A0750
7M0145271A	11A0755
7S7Q6C301BB	5PK690
7S7Q6D314AA	5PK690
800693	11A1015
800722	11A1180
801779	10A1010
801F6C301DA	11A0815
8029802	13A0950
8091-10020	11A0915
80911-0110	10A0675
8091-10140	11A0915
80911-0140	11A0915
8091-10290	11A0900
80911-0290	11A0900
80911-0380	11A0900
80911-0400	10A0710
80911-0460	10A0685
80911-0490	10A0610
80911-0540	10A0635
80911-0550	10A0710
8091-13050	13A0925
80911-3050	13A0925
80911-3070	13A0925
8092-11010	3PK650
8092-11020	3PK735
80921-1020	3PK735
8092-13010	4PK980
8092-13040	4PK950
80921-3040	4PK950

OEM No.	Gates No.
8092-14070	4PK725
80921-4070	4PK725
8092-14290	4PK725
80921-4290	4PK725
809214320	4PK715
80921-4320	4PK715
809214470	4PK845
809214550	4PK845
80921-8010	5PK690
80921-8130	5PK875
8092-18140	5PK875
80921-8140	5PK875
8092-18150	5PK875
80921-8150	5PK875
8092-18160	5PK875
80921-8160	5PK875
8092-18170	5PK875
80921-8170	5PK875
8092-18200	5PK885
8092-18210	5PK875
8092-18240	5PK885
809218250	5PK875
8092-18250	5PK875
80921-8250	5PK890
809218270	5PK875
809218300	5PK875
8092-18310	5PK875
8092-18380	5PK875
809218390	5PK875
809218400	5PK870
809218410	5PK870
809218420	5PK870
809218430	5PK875
80921-8750	5PK875
8092-21050	6PK1650
80922-1050	6PK1630
809221080	6PK1590
809221090	6PK1620
809221120	6PK1650
80HF6C301BA	11A0865
80TF6C301BA	13A1150
80TF6C301DA	10A1010
810544	11A1270
811818381	13A0875
8118-18-381	13A0875
813274	10A0685
813654	11A0955
813F8620HBA	13A1125
813F8620JAA	13A1175
81AB6C301DB	11A0760
81AB6C301DB	11A0775
81AB6C301EB	11A0800
81MF3N533AA	13A0925
8200004342	6PK1775

OEM No.	Gates No.
8200020924	5PK1135
8200023912	6PK1145
8200027520	4PK735
8200034396	5PK1195
8200041848	3PK760
8200041850	4PK925
8200041851	4PK900
8200041852	4PK1540
8200058139	6PK1650
8200059395	6PK1145
8200059425	6PK880
8200061673	5PK1120
8200065601	3PK735
8200071399	7PK1785
8200078576	6PK1600
8200089047	6PK1190
8200093814	6PK1810
8200111788	7PK1770
8200113203	6PK1790
8200127693	7PK1785
8200188959	6PK1840
8200200665	7PK1790
8200206889	5PK1120
8200211651	4PK715
8200211989	7PK1790
8200226493	6PK1660
8200243021	6PK1195
8200322233	7PK1035
8200322234	7PK880
8200356268	6PK1815
8200356445	7PK1710
8200356446	7PK1970
8200466868	6PK1840
8200821813	6PK1195
8200821816	6PK1130
8200830182	3PK735
8200830184	7PK880
8200830192	4PK1540
8200833541	5PK1755
8200833543	6PK1600
8200833558	7PK1790
8200833566	6PK1145
8200833570	6PK1790
8200846156	6PK1190
8200850092	5PK1195
821F6C301AA	11A0825
821F6C301AC	11A0825
82398036	11A0775
82401268	13A1410
82401269	13A1230
82404105	11A0825
82404106	11A0825
826F8620EDA	13A1450
826F8620EEA	13A1500

OEM No.	Gates No.
82DB8N620AA	13A1050
82DB8N620BB	10A1010
82EF6C301AA	11A0775
82MF8A615AA	13A1225
82PF10N003AA	13A1525
830050	11A0825
8311-18-381A	11A0785
8322026	11A0815
8339921	11A0825
8339939	11A0875
837573	11A0775
8375735	11A0775
838492	11A0985
8384927	11A0985
8397-18-381A	13A0950
83BB6C301AA	11A0915
83BB6C301AB	11A0915
83DB10C318AA	5PK820
83EF8620AA	11A0950
83EF8620CA	11A1075
83EF8A615AA	11A0950
83GB6C301AA	10A1010
83HF6C301AA	11A0875
83HF8A615AA	11A1180
83HF8A615AA	11A1170
83TF6C301CA	13A1225
83TF6C301DA	10A1010
844F8620AA	11A1270
84AB6C301AA	11A0800
84AB6C301BA	11A0785
84FF8620AE	11A0840
84FF8620AF	11A0840
84HF6C301AA	11A0890
84HF6C301AA	11A0885
84HF6C301BA	11A0875
84SF6C301AB	10A0675
84SF6C301AC	10A0675
8502320	11A0825
8502323	11A0750
850528R2	17A1115
8517174	13A0675
8519-15-906	13A1050
8531-78-022	13A0975
8546797	11A0925
8551364	11A0925
8555157	11A0925
8556014	11A0950
855676100	11A0850
8562-15-906	13A1050
85BB6C301AA	11A0925
85EF8620AA	10A0710
85EF8620AB	10A0710
85EF8620CA	11A1075
85EF8A615AA	11A0950

OEM No.	Gates No.
85HF6C301AA	11A0885
85HF6C301BB	11A1180
85HF6C301BB	11A1170
85HF6C301F1A	11A0915
85HF6C301F2A	11A0915
85HF6C301FA	11A0915
85HF6C301J1A	11A0985
85HF8509AA	11A1180
85HF8509AA	11A1170
85HF8A615AA	11A0890
85HF8A615AA	11A0885
85HF8A615BB	11A1180
85HF8A615BB	11A1170
85HF8A615CA	11A0915
85SF6C301AA	10A0675
85TF6C301AA	10A1010
85TF6C301DB	11A1040
85TF6C301F1A	13A0900
85TF6C301F2A	13A0900
85TF6C301FA	13A0900
85TF6C301GA	13A1175
85TF8A615D1A	13A1175
85TF8A615D2A	13A1175
85TF8A615DA	13A1175
85TF8A615EA	11A1040
861779R21	13A1120
8627228	6DPK1840
8642479	6PK1145
8642562	6PK1650
864F8620A1A	4PK1510
864F8620A2A	4PK1510
864F8620AA	4PK1510
8653641	5PK705SF
8670068	6PK1215
8670156	6PK1300
8692141	6PK1815
8692811	5PK890
8692955	5PK855
86AB6C301AA	11A0775
86AB6C301BA	11A0750
86AB6C301BA	11A0760
86BB8A615AA	11A0915
86EF6C301AA	13A1150
86EF6C301BA	13A1030
86EF6C301CA	10A0685
86SF6C301AA	10A0685
86TF6C301AA	11A1015
86TF6C301AA	10A1010
86TF6C301BA	11A0985
86TF6C301CA	11A0890
86TF6C301CA	11A0885
87SF6C301CA	5PK790
87TF8A615A1A	13A1200
87TF8A615A2A	13A1200

OEM No.	Gates No.
880397	11A1105
880693	11A1015
8814832	13A1275
88156489	11A1105
8822704	13A1375
8823607	10A1250
883391	11A1105
8844080R1	13A1345
88458-37010	13A0975
88458-87101	4PK840
88458-87102	4PK830
88458-87103	4PK830
88458-87401	4PK1445
88458-87403	4PK1445
88458-87701	5PK800
88458-87702	5PK900
88458-87704	4PK845
88458-87705	4PK845
88458-87710	4PK830
88458-87712	4PK800
88458-87713	4PK800
88594-97201	4PK715
88594-97205	4PK715
886034R1	13A1230
8871-18-381	11A0800
8871-18-381	11A0785
88EF6C301AC	13A0950
88EF6C301BA	13A1030
88EF6C301CA	13A1150
88HF6C301AA	13A1030
88WF6C301A1A	6PK1230
88WF6C301B1A	6PK1815
88WF6C301B1B	6PK1815
88WF6C301B2A	6PK1815
88WF6C301C1B	6PK1560
88WF6C301C2B	6PK1560
88WF6C301D1A	6PK1955
88WF6C301E2B	6PK1270
88WF6C301F2A	6PK1815
88WF6C301G1A	6PK1810
88WF6C301G2A	6PK1810
88WF6C301H1A	6PK1955
88WF6C301H2A	6PK1955
8920636940	11A1055
8920636950	13A0965
8940307610	13A1500
8941116240	13A1500
8941116870	13A0900
8941390670	4PK700
8941417200	13A1005
8941417210	13A1020
8941462300	13A1525
8941464230	13A1525
8941464240	13A1525

OEM No.	Gates No.
8941464950	13A0955
8941618410	17A1050
8941675880	13A0750
8941675890	13A0900
8941675900	13A0955
8941751700	13A0875
8942179200	11A0760
8942185740	13A1020
8942185750	13A1370
8942224690	13A0750
8942228791	13A0955
8942228800	13A0900
8942292691	13A0955
8942322841	13A0875
8942322872	11A0760
8942322873	11A0760
8942323100	13A0955
8942353950	13A0955
8942403720	17A1050
8943330980	11A0955
8943330981	11A0955
8943349870	13A1255
8943821050	11A1030
8943821051	11A1030
894382106	4PK970
8943821060	4PK970
8943821071	4PK815
8944349260	13A1525
8944503950	13A1450
8944529040	13A1020
8944723780	13A0890
8944781731	13A1005
8970435510	17A1050
8970629131	15A1030
8970741090	13A0925
8971006060	13A0890
8971305600	6PK2285
8971305610	6PK2035
8971415140	15A1020
8971762451	11A0980
8972224191	11A1015
8973331030	6PK1930
89970192	6PK2035
89970992	6PK2100
89971792	6PK2170
89971892	6PK2250
89972192	6PK2070
89972392	13A0650
89973292	6PK1015
89973392	6PK2055
89973492	6PK2125
89973592	6PK2035
89973692	6PK2100
89973792	6PK2070

OEM No.	Gates No.
89973892	6PK2150
89974292	13A0955
89974892	13A0955
89976392	6PK2035
89976692	13A0710
89976992	6PK2170
89977092	6PK2250
89977192	6PK1015
89977292	6PK1885
89977392	6PK1980
89978792	6PK2200
89978892	6PK2285
89979092	6PK2005
89979292	6PK2055
89AB6C301AB	6PK925
89BF6C301A1A	11A0800
89BF6C301A1B	11A0800
89BF6C301A2B	11A0800
89FF10039AB	3PK650
89FF6C301A2C	3PK650
89FF6C301A2D	3PK650
89FF6C301B1A	3PK825
89FF6C301B2B	3PK825
89FF6C301D1A	3PK1025
89FF6C301D2B	3PK1025
89FF6C301E2A	3PK810
89FF6C301E2B	3PK810
89VB6C301AA	13A1085
8V2Q6C301AA	6PK1015
9.5X1000-N-275	10A1010
9.5X1003LA	10A1010
9.5X1007LA	10A1010
9.5X1100	11A1105
9.5X1175LA	11A1180
9.5X1225-N-275	11A1225
9.5X1275-N-275	11A1270
9.5X1350-N-275	11A1345
9.5X1625-N-275	11A1625
9.5X750-N-275	11A0750
9.5X825-N-275	11A0825
9.5X850-N-275	11A0850
9.5X875	11A0875
9.5X875-N-275	11A0875
9.5X900	11A0900
9.5X900-N-275	11A0900
9.5X925	11A0925
9.5X925-N-275	11A0925
9.5X950-N-275	11A0950
9.5X975-N-275	11A0985
90006259	11A0875
90006263	11A0890
90006265	11A0980
90006267	11A0915
900149367	13A1090

OEM No.	Gates No.
90019200550	11A0985
90019201350	13A1100
90019202650	13A1125
90019202750	13A1100
9003446400	13A1275
90035649400	13A1350
90048-31002	3PK785
90048-31003	4PK775
90048-31004	4PK775
90048-31005	5PK975
90048-31008	4PK715
90048-31009	4PK715
90048-31012	4PK790
90048-31013	4PK790
90048-31017	4PK775
90048-31018	4PK790
90048-31019	4PK775
90048-31020	4PK715
90048-31024	4PK760
90048-31029	4PK1755
90048-31030	4PK1710
90048-31032	4PK1560
90048-31033	4PK1640
9004831046	6PK860
9004831047	6PK1195
9004831049	4PK1590
90048-31052	4PK1755
9004831053	4PK1755
9004831059	6PK1590
90048-31064	6PK1885
90048-31065	6PK1815
9004831071	6PK1180
90048-31500	5PK975
90048-32002	11A0785
90048-32024	11A0875
90048-32035	11A0925
90048-32036	11A0925
90048-32040	11A0760
90048-32041	11A0785
90048-32044	11A0800
90048-32045	11A0785
90048-32049	11A0800
90048-32050	11A0800
90048-32051	11A0760
90048-32052	11A0760
90048-32053	11A0775
90048-32056	11A0825
90048-32060	11A0785
90048-32061	11A0785
90048-32062	11A0785
90048-32063	11A0760
90048-32066	11A0785
90048-32067	11A0775
90048-32069	11A0775

OEM No.	Gates No.
90048-32076	11A0775
90048-32077	11A0800
90048-32087	11A0785
90048-32088	11A0785
90048-32089	11A0775
9004832095	11A0735
90049-31004	4PK775
90072-74201	13A0925
90075047246	11A0900
90076999	11A1080
90080-21040	6PK1040
90080-90155	5PK970
90080-91049	5PK1120
90080-91050	5PK970
90080-91051	3PK625
90080-91054	3PK760
90080-91055	5PK970
90080-91078	3PK625
90080-91079	3PK760
90080-91082	5PK890
90080-91087	6PK1040
90080-91088	4PK875
90080-91090	4PK1050
90080-91092	4PK940
90080-91093	4PK875
90080-91099	5PK1120
90080-91101	4PK1100
90080-91121	6PK1940
90080-91133	5PK1120
90080-91147	6PK1040
90080-91168	6PK1930
90080-91170	4PK850
90080-91183	6PK1485
90080-91196	6PK1775
90080-91198	6PK780
90080-91199	6PK1730
9008091212	4PK875
90080-91214	7PK1935
90080-91223	6PK1775
9008091239	6PK1040
90088832	11A0875
90091742	11A0890
90091743	10A0900
90099-82008	13A0925
90099-82018	5PK1050
90156794	11A0825
90169079	11A0955
90169080	11A0925
90169081	11A0875
90169083	11A0955
90169084	11A0850
90183426	11A0875
90183427	11A0890
90183440	11A0915

OEM No.	Gates No.
90194098	11A0760
90194995	10A0815
90231797	11A1005
90233194	5PK1015
90271857	11A1005
90280872	11A0800
90285678	6PK2225
90285679	6PK1460
90299369	13A0875
90299503	5PK980
90351803	11A0915
90352613	10A0815
90352615	10A0900
90352928	11A0940
90352931	11A0785
90353137	11A0925
9036300890	3PK945
90397190	11A0925
90409610	11A1005
90409781	6PK2260
90409782	6PK1900
90409800	11A0940
90410316	5PK990
90410386	11A0890
90410387	11A0955
90410700	6PK1728
90411009	11A1030
90411028	6PK1800
90412115	11A0925
90442073	11A0925
90444312	11A0915
90444422	6PK1540
90444485	11A0785
90444486	10A0815
90444488	10A0685
90448002	6PK2260
90466255	11A0915
90466524	6PK1900
90467130	6PK1465
90467131	6PK1728
90490781	6PK2260
90500227	6PK1715
90500228	6PK1900
90500354	6PK2260
90501383	6PK1540
90501384	6PK1460
90501385	6PK2260
90501386	6PK1728
90502286	11A0925
90502734	6PK1900
90502735	6PK1800
90509315	5PK1815
90509751	4PK775
90510025	11A0915

OEM No.	Gates No.
90510253	6PK1800
90510610	6PK1540
90510611	6PK900
90510612	6PK900
90512538	4PK775
90528761	6PK2035
90529914	6PK1880
90531966	5PK1355
90531967	5PK1220
90538288	5PK725
90541338	6PK1800
90542748	5PK1220
90571757	4PK875
90573797	5PK940
90581641	5PK1245
90581642	6PK1860
90860-07800	11A0775
90861-08800	13A0875
90861-09100	13A0925
90861-09200	13A0925
90861-09300	13A0925
90861-09900	13A0990
90861-10000	13A0990
90861-10200	13A1005
90861-10300	13A1020
90861-10400	13A1030
90861-10600	13A1055
90861-10601	13A1055
90861-9200	13A0925
90871-08905	13A0900
90882-16801	TR22657
90910-020003	13A0950
90916-02024	11A0865
90916-02044	13A1085
90916-02045	13A1085
90916-02048	11A0840
90916-02052	13A0900
90916-02055	13A0900
90916-02060	13A0900
90916-02061	13A0900
90916-02070	11A0940
90916-02074	11A0900
90916-02076	7PK920
90916-02076	11A0925
90916-02078	13A1225
90916-02080	13A0825
90916-02092	11A1130
90916-02098	11A0965
90916-02100	10A1150
90916-02104	13A1200
90916-02107	13A1200
90916-02108	11A1090
90916-02109	11A0950
90916-02112	10A1250

OEM No.	Gates No.
90916-02113	13A0800
90916-02116	5PK1105
90916-02119	11A0985
90916-02122	3PK800
90916-02123	11A0965
90916-02125	13A0850
90916-02131	17A1345
90916-02132	11A0985
90916-02133	13A1000
90916-02135	4PK815
90916-02136	4PK815
90916-02140	13A0850
90916-02141	17A1050
90916-02142	17A1210
90916-02144	13A0975
90916-02146	4PK1260
90916-02147	5PK940
90916-02148	5PK830
90916-02149	5PK830
90916-02152	11A1180
90916-02154	11A0775
90916-02157	5PK950
9091602158	5PK855
90916-02162	11A0990
90916-02169	13A1000
90916-02173	5PK990
90916-02177	3PK760
90916-02183	13A1000
90916-02184	5PK855
90916-02185	5PK855
90916-02186	5PK875
90916-02191	5PK1065
90916-02192	5PK1065
90916-02193	17A1685
90916-02194	4PK1180
90916-02196	13A1200
90916-02197	5PK1105
90916-02200	4PK845
90916-02201	5PK1050
90916-02203	5PK1210
90916-02204	5PK1210
90916-02205	3PK760
90916-02207	5PK1120
90916-02209	13A1050
90916-02211	13A1050
90916-02212	4PK830
90916-02215	11A1225
90916-02216	5PK1015
90916-02219	5PK1000
90916-02221	4PK925
90916-02223	4PK950
90916-02227	11A1130
90916-02231	6PK2250
90916-02232	5PK950

OEM No.	Gates No.
90916-02235	13A1050
90916-02237	13A0950
90916-02238	5PK865
90916-02239	17A1240
90916-02243	17A1110
90916-02244	13A1030
90916-02246	5PK1135
90916-02248	10A1010
90916-02256	5PK1105
90916-02257	5PK1105
90916-02262	13A0850
90916-02265	4PK830
9091602267	4PK830
90916-02268	4PK875
90916-02269	4PK875
90916-02270	5PK1120
90916-02273	11A0775
90916-02281	11A0985
90916-02283	11A0990
90916-02284	11A1060
90916-02285	11A1395
90916-02293	5PK1015
90916-02294	5PK1015
90916-02295	5PK1000
90916-02296	5PK1000
90916-02298	4PK800
90916-02299	4PK800
90916-02301	13A0950
90916-02302	4PK1180
90916-02303	5PK970
90916-02305	6PK1955
90916-02308	6PK1970
90916-02309	6PK1940
90916-02310	6PK1940
90916-02314	3PK735
90916-02315	13A1000
90916-02318	3PK760
90916-02319	4PK830
90916-02320	4PK815
90916-02330	10A1010
90916-02331	11A1060
90916-02332	4PK815
90916-02334	11A1180
9091602335	6PK2030
90916-02336	5PK865
90916-02337	5PK865
90916-02341	4PK830
90916-02344	5PK1120
90916-02345	5PK1120
90916-02348	4PK925
90916-02350	4PK800
90916-02352	4PK800
90916-02353	11A1130
90916-02354	4PK860

OEM No.	Gates No.
90916-02355	5PK1000
90916-02356	5PK1000
90916-02357	5PK1015
90916-02358	5PK1015
90916-02360	6PK2250
9091602361	6PK2275
90916-02363	3PK800
90916-02364	4PK845
90916-02365	4PK875
90916-02370	5PK1030
90916-02371	6PK1940
90916-02372	13A0950
90916-02373	6PK1050
90916-02374	6PK1050
90916-02375	11A1295
90916-02378	4PK1180
9091602380	7PK2275
90916-02381	13A1000
90916-02382	5PK1105
90916-02383	5PK1105
90916-02384	4PK1180
90916-02385	13A1000
9091602386	4PK875
90916-02386	4PK875
90916-02387	11A1370
90916-02392	6PK1145
90916-02395	5PK1120
90916-02396	5PK1120
90916-02397	13A1175
90916-02399	3PK840
90916-02400	13A1175
90916-02401	6PK1040
90916-02402	5PK1030
90916-02403	5PK1030
90916-02404	6PK2230
90916-02405	6PK2230
90916-02408	11A1180
90916-02410	4PK830
90916-02412	6PK1930
90916-02419	11A1370
90916-02422	5PK1120
90916-02424	4PK865
90916-02429	13A1450
90916-02430	5PK1080
90916-02432	6PK1885
90916-02433	4PK865
9091602437	6PK2205
9091602440	6PK2210
9091602441	6PK2210
90916-02451	11A1370
90916-02452	10A1010
90916-02458	6PK1885
90916-02461	13A0975
9091602462	6PK2260

OEM No.	Gates No.
90916-02462	6PK2260
90916-02463	6PK2250
90916-02465	13A1225
90916-02467	5PK1090
90916-02468	6PK1540
90916-02469	6PK1560
90916-02470	6PK1840
90916-02471	4PK1065
90916-02475	4PK1770
9091602476	4PK1770
90916-02477	4PK1710
90916-02478	4PK1710
90916-02482	6PK1815
90916-02486	6PK1695
90916-02487	6PK1400
90916-02490	7PK1970
90916-02491	7PK1590
90916-02492	6PK1910
90916-02493	7PK1930
90916-02494	7PK1590
90916-02495	5PK1135
90916-02496	11A1130
90916-02497	11A1180
90916-02499	4PK925
90916-02500	4PK1180
90916-02501	4PK1180
90916-02502	7PK1935
90916-02503	7PK1935
9091602504	6PK1865
90916-02506	6PK1815
90916-02507	5PK1210
90916-02508	5PK1180
90916-02509	5PK1120
90916-02511	7PK1640
90916-02512	7PK1820
90916-02513	7PK1935
90916-02515	7PK1930
90916-02516	6PK1675
90916-02517	5PK885
90916-02521	3PK855
90916-02522	3PK855
90916-02523	7PK1090
90916-02524	7PK1470
90916-02533	5PK1245
90916-02534	6PK1885
90916-02535	6PK1540
90916-02537	6PK1695
90916-02539	6PK1400
90916-02540	6PK1940
90916-02545	6PK1420
90916-02546	6PK1695
90916-02547	6PK1885
90916-02549	6PK1695
90916-02550	5PK1245

OEM No.	Gates No.
90916-02554	7PK2120
90916-02555	6PK1900
90916-02556	4PK1210
90916-02557	7PK935
90916-02558	7PK1180
90916-02559	6PK1730
90916-02560	4PK1770
90916-02561	4PK1710
90916-02563	7PK1910
90916-02566	4PK1770
90916-02569	4PK1170
90916-02570	3PK855
90916-02571	7PK2120
90916-02574	6PK1700
90916-02575	3PK855
90916-02583	6PK2260
90916-02584	6PK2260
9091602585	6PK2230
9091602586	6PK2250
90916-02592	6PK2125
9091602596	7PK1590
90916-02596	7PK1590
90916-02597	7PK1590
90916-02598	7PK1935
90916-02600	7PK1930
90916-02601	7PK1930
90916-02602	6PK880
90916-02606	6PK1210
90916-02630	6PK1930
9091602632	6PK2055
9091602637	6PK2080
9091602639	7PK1865
9091602640	7PK2285
9091602641	3PK760
90916-02641	3PK760
9091602643	4PK1710
90916-02647	5PK1195
90916-02650	6PK1245
90916-02652	7PK1910
9091602653	7PK1910
9091602658	6PK2080
9091602661	4PK910
9091602664	6PK1230
90916-02995	5PK1135
90916-20820	4PK830
9091691088	6PK1940
90916-A2007	6PK1940
90916A2011	7PK1910
90916-T2005	7PK1090
90916-T2006	7PK1515
90916-T2014	7PK1935
90916-W2001	6PK975
90916-W2002	6PK1210
90916-W2004	6PK1730

OEM No.	Gates No.
90916-W2005	6PK1560
90916-W2006	6PK1865
90916-W2007	6PK1420
90916-W2008	6PK1695
90916-W2010	7PK2000
90916-W2013	7PK1370
90916-W2014	7PK1865
90916-W2015	6PK1755
90916-W2017	6PK1755
90916-WX002	6PK965
91001158	4PK1245
9109649	6PK1145
91112347	10A0750
91126379	5PK1355
91126380	5PK1220
91126385	6PK1800
91126386	6PK1900
91126387	6PK1728
91126402	6PK1860
91140570	11A0825
91142246	11A0875
91145735	10A0750
91145737	13A0900
91149464	11A0915
91149489	6PK1540
91150005	6PK1728
91151716	6PK1800
91153769	8PK2172
9117585	5PK1220
9117585	5PK1205
9117586	5PK1220
9117587	5PK1675
9117588	5PK1675
9117589	5PK940
9117590	5PK940
9118611	5PK1355
9118612	5PK1220
9118613	6PK1540
9118616	6PK1465
9118617	6PK1800
9118617	6PK1790
9118618	6PK1900
9118619	6PK1728
9118620	6PK2020
9118620	6PK2035
9128952	5PK1205
9128952	5PK1220
9129460	5PK1220
9129465	6PK1800
9129468	6PK1900
9129851	6PK2035
9136713160	17A1015
9146117	6PK1245
9146160	6PK1650

OEM No.	Gates No.
9146557	6PK1620
9146844	6PK1245
9146973	6PK1270
91506949	11A0925
9150694980	11A0925
91508762	4PK955
91511597	11A0915
91516768	4PK840
91522116	11A0915
91536222	4PK700
91536224	4PK840
91536227	4PK1015
91536229	4PK1245
91536297	10A0610
91536298	10A0635
91536302	11A0785
91536303	11A0800
91536308	10A1010
91536311	11A1090
91536338	10A0710
91536700	11A0925
9153670080	11A0925
91536703	4PK955
91538177	5PK725
91541144	5PK725
91541175	5PK725
91541176	5PK1015
91541177	4PK790
91541178	4PK1230
91541179	5PK1235
9160333	5PK1195
9160334	6PK865
9160356	6PK835
9180701	6PK1555
9180702	6PK1790
91840-07203	4PK715
91840-08603	4PK860
91850-08804	5PK875
91850-11100	5PK1105
91850-11104	5PK1105
91850-11909	5PK1195
91850-12103	5PK1210
9186319	6PK1695
9186320	6PK1420
9186352	6PK1740
9189229	6PK1755
91920-PL2-013	4PK910
9192568	5PK1245
91940-08300	4PK830
91940-09101	4PK910
9194660	5PK1205
91FF6C301A1A	5PK1015
91FF6C301A2A	5PK1015
91SF6C301A1A	6PK1630

OEM No.	Gates No.
91SF6C301A2A	6PK1630
91SF6C301A2B	6PK1630
91SF6C301B1A	6PK1420
91SF6C301B2A	6PK1420
91SF6C301B2C	6PK1420
91SF6C301C1B	6PK1000
91SF6C301C2B	6PK1000
91SF6C301C2C	6PK1000
91TF6C301A1D	6PK1420
91TF6C301A2D	6PK1420
91TF6C301B1C	4PK960
91TF6C301B2C	4PK960
91TX6C301A1D	6PK1420
91XF6C301B1B	6PK1355
91XF6C301B2B	6PK1355
91XX6C301B1B	6PK1355
92011667	11A0875
92015103	10A0710
92016614	11A1180
92017607	11A0890
92023816	3PK875
92025475	11A0980
92027406	11A1170
92036698	6PK2375
92038012	13A0850
92039776	11A0980
92056207	4PK1090
92061745	6PK2045
92062955	6PK1755K
92065789	6PK1755K
92065827	6PK2845
92067037	6PK1995
92067152	6PK1970
9207919	6PK1755
9207920	6PK1620
92089561	6PK1995
92100691	6PK2805
921232003	13A0800
921232007	13A1525
92125241	4PK835
92141361	6PK 2300
92141922	4PK915
92142025	13A0915
9226506	11A0965
924F6C301AA	13A1030
924F8620AA	4PK1490
924F8620BA	4PK1510
928F6C301A1C	6PK925
928F6C301C1A	6PK1900
928F6C301C1B	6PK1900
928F6C301C2A	6PK1900
928F6C301E1A	6PK1540
928F6C301E2A	6PK1540
928X6C301A1C	6PK925

OEM No.	Gates No.
928X6C301C1B	6PK1900
9292427	10A0900
92FB6C301AA	11A0800
92FF6C301A2A	3PK675
92FF6C301BB	5PK710
92FJ6C301A2A	3PK675
92SF6C301A2A	5PK1050
92TF6C301B1A	6PK1420
92TF6C301B2A	6PK1420
92XF8620BA	4PK1510
930X8620DA	11A1180
930X8620DA	11A1170
93172363	5PK1240
93181196	6PK1420
93184450	6PK1420
93185049	6PK2620
93185050	6PK2345
93185379	6PK1385
93185756	6PK2125
93190810	6PK1385
9323510	11A0985
9339409	10A1250
9341314	11A0985
9344623	13A1200
9347048	10A1250
9350050180	10A0750
93501082	5PK970
93501676	4PK700
9350226880	4PK980
93502487	4PK700
93502642	5PK970
9361791	11A1180
9367020	13A1175
9382383	13A1275
93891553	10A0750
93891618	13A0900
93891628	13A1020
93BB6C301AA	6PK1715
93BB6C301AB	6PK1715
93BB6C301BD	6PK2080
93BB6C301BE	6PK2080
93BB6C301CD	5PK870
93BB6C301DD	5PK580
93BB6C301EC	5PK885
93FF6C301AA	5PK1015
93FF6C301DA	5PK1015
93TF6C301A1A	4PK980
93TF6C301A2A	4PK980
94029871	17A1015
94029958	13A1370
94030761	13A1500
94111624	13A1500
94111687	13A0875
94141-60G90	5PK1635

OEM No.	Gates No.
94141721	13A1020
94146423	13A1525
94161841	17A1050
94203081	13A0875
942100009	10A1010
942-100-009	10A1010
942-105-009	11A1060
94218574	13A1020
94218575	13A1370
94222880	13A0900
94225209	13A0875
94232287	11A0760
94240372	17A1050
94256977	11A0660
94257037	13A1005
942600009	10A1010
943095009	11A0950
943100010	10A1010
94333098	11A0955
94334987	13A1255
94337004	13A0925
9434341	6PK1740
94382105	11A1030
94382106	4PK960
94382107	4PK815
94411860	13A0900
94434926	13A1525
94440010	13A1500
94452904	13A1020
94468652	13A0875
94472378	13A0875
94478173	13A1005
94482166	13A1450
944F6C301CA	6PK1630
9458376	6DPK1840
9458411	6PK1755
9458469	6PK1815
94633780	6PK1385
9464867280	6PK1675
9471799	6DPK1840
9471981	6DPK1840
947635	11A1320
947932	11A1270
948F6C301AB	6PK1270
948F6C301BA	6PK1540
948F6C301CA	6PK1930
948F6C301CB	6PK1930
948F6C301DA	6PK1555
949602	8PK2172
94970-00730	4PK925
94970-00740	4PK940
9497241	6DPK1840
94AB6C301AA	6PK1675
94AB6C301C1A	6PK1015

OEM No.	Gates No.
94AB6C301D1B	6PK1650
94FB6C301A2C	6PK940
94FB6C301B2A	6PK925
94FF6C301AC	4PK650
94WF6C301A1B	6PK1420
94WF6C301B1B	6PK1775
94WF6C301D1B	6PK1930
94WF6C301E1A	6PK1970
95005666	5PK690
95006268	5PK1120
95006782	11A1030
950356	11A0875
950357	11A1080
950358	11A0875
950359	11A1080
950360	11A0875
950362	11A0825
950363	11A0760
950364	10A0815
950365	11A0800
950366	11A0955
950367	10A0815
950368	11A0825
950370	13A1370
950371	10A0815
950372	10A0685
950373	13A1450
950375	13A1450
950806	11A0815
950809	11A0940
950811	11A0990
950812	11A1030
950813	11A1060
950814	11A1075
950815	11A1105
950819	11A1205
950821	10A1250
950822	11A1270
950823	11A1295
950825	11A1345
950826	11A1370
950829	11A1450
950832	11A1525
950845	13A1000
950848	13A1085
950849	13A1100
950852	13A1175
950853	13A1200
950856	13A1275
950859	13A1350
950860	13A1375
950861	13A1400
950866	13A1525
95141-50F00	4PK830

OEM No.	Gates No.
95141-50F01	4PK830
95141-51K00	4PK760
95141-55C00	4PK750
95141-55C10	4PK855
95141-57B50	4PK830
9514157B60	4PK925
95141-57B60	4PK945
95141-60A00	4PK830
95141-60A10	4PK940
95141-60A50	4PK800
95141-60A60	4PK925
95141-60B10	4PK950
95141-60B50	4PK760
95141-60D01	11A0760
95141-60D10	11A0750
95141-60G40	4PK990
95141-60G50	4PK840
95141-60G60	4PK1005
95141-60G80	5PK1635
95141-60G90	5PK1635
95141-63B50	4PK790
95141-64A00	4PK840
95141-64A10	4PK950
95141-65D00	4PK1090
95141-70F01	4PK830
95141-71B00	11A0735
9514173J00	6PK1715
95141-77E80	13A0850
95141-77E81	13A0850
95141-78A00	11A0785
95141-78A20	11A0775
9514184EA0	6PK1320
95141-85C60	4PK940
95141-86H00	4PK760
95141M79F00	3PK760
95142-80000	11A0785
9515801	13A1425
9515805	13A1525
951684	11A0850
951684	11A0840
9518400	13A1780
9518588	13A1900
9519741	13A1150
952138	11A1205
952141	11A1270
952144	11A1345
952148	11A1450
952152	11A1575
9522144	13A1900
952244	13A0925
952248	13A1030
952249	13A1050
952254	13A1175
952255	13A1200

OEM No.	Gates No.
952259	13A1300
952260	13A1325
952261	13A1350
952268	13A1525
95449870	11A0840
95492684	11A0840
95492927	10A0635
95493061	10A0675
95493077	11A0660
95493366	11A0840
95493420	10A1150
95493421	11A0915
95493443	10A1150
95493868	11A0825
95493869	11A0825
95493870	11A0840
95494186	11A0825
95494188	11A0825
95495339	10A0635
95495480	10A0635
95495585	11A0775
95496822	10A0635
95496836	11A0800
95496894	10A0650
95496930	11A0775
954F8620AB	4PK1490
954F8620BB	4PK1510
95612377	4PK750
95640434	5PK690
95661735	4PK815
95666985	4PK1015
958300	11A0750
958302	11A0800
958305	11A0875
958307	11A0925
958309	11A0985
958312	11A1060
958313	11A1075
958316	10A1150
958317	11A1180
958318	11A1205
958325	11A1370
958326	11A1395
958345	11A0750
958347	11A0800
958352	11A0925
958354	11A0985
958358	11A1075
958359	11A1105
958360	11A1130
958363	11A1205
958366	11A1270
958369	11A1345
958381	13A1650

OEM No.	Gates No.
958383	13A1700
958385	13A1750
958484	13A0850
958487	13A0925
958489	13A0975
958492	13A1050
958493	13A1085
958497	13A1175
958499	13A1225
958502	13A1300
958503	13A1325
958504	13A1350
958506	13A1400
958525	13A0750
958539	13A1100
958540	13A1125
958542	13A1175
958543	13A1200
958545	13A1250
958546	13A1275
958547	13A1300
958548	13A1325
958549	13A1325
958550	13A1375
958554	13A1475
95BB6C301AA	6PK2080
95TF6C301BA	4PK1015
95VW3F572CA	11A0735
95VW3F572DB	11A0785
95VW3F572EA	11A0785
95VW3F572FA	11A0735
95VW6C301AA	6PK1145
95VW6C301AB	6PK1145
95VW6C301AC	6PK1145
95VW6C301CA	6PK1040
95VW6C301CB	6PK1050
95VW6C301JA	7PK1285
95VW6C301KA	7DPK1360
95WF6C301CB	6PK1420
95WF6C301EB	6PK1575
95WF6C301GA	6PK1755
95WF6C301HA	6PK1900
96001122	4PK700
96001123	4PK955
96010219	5PK1135
96010220	5PK710
96011188	4PK815
96012051	4PK815
96014241	5PK1270
96014397	5PK1270
96015521	11A0800
96019294	4PK855
96019295	4PK855
96021924	5PK700

OEM No.	Gates No.
96021925	5PK700
96027231	10A0710
960282	11A0890
960284	11A0940
960285	11A0965
960286	11A0990
960287	11A1015
960289	11A1060
960293	10A1150
960296	11A1245
96030324	4PK1245
96031400	5PK735
96031955	11A1130
960327	11A0915
96035624	10A0650
960459	13A0925
96046090	5PK855
96046092	5PK855
96046099	4PK640
96046101	5PK1390
96046105	5PK1390
96046630	4PK1270
960468	13A1150
960475	13A1325
9605062	4PK1030
96050625	4PK1030
960512	13A1125
960519	13A1300
96053938	5PK1165
96054790	10A0900
96056833	5PK1165
96056835	5PK735
96059322	5PK690
96059324	5PK710
96059540	5PK1455
96059541	5PK1455
96106737	4PK715
96117374	4PK815
96120257	6PK925
96124532	4PK715
96126957	5PK1030
96129654	5PK1260
96129662	5PK875
96129664	5PK1245
9612966480	5PK1260
96135989	4PK950
96138810	4PK855
96140606	6PK1865
96142839	6PK700
96142840	6PK700
9614284080	6PK700
96144327	5PK1260
96144504	6PK730
96144507	6PK730

OEM No.	Gates No.
96144509	6PK1130
96144510	6PK1130
96144511	6PK1180
96144514	6PK1180
96144846	11A0800
96144932	5PK870
96144933	5PK970
96144934	5PK1000
96147542	5PK1030
96152078	6PK1660
9615207880	6PK1660
96152079	6PK1660
96152080	6PK700
96152082	6PK1065
9615208280	6PK1065
96152083	6PK1065
96152084	6PK1085
9615208480	6PK1085
96152085	6PK1085
96152088	6PK1105
96152089	6PK1105
9615208980	6PK1105
96152090	5PK1145
96152091	5PK1145
96154391	6PK825
96155010	6PK1015
96155377	5PK875
96155378	5PK800
96155379	5PK1260
96155380	5PK1030
96155949	6PK1700
96155951	6PK1700
96161326	5PK1455
96161327	5PK1390
96161329	5PK855
96163410	5PK690
9616341080	5PK690
96165809	5PK970
96165811	5PK775
96170126	6PK1165
9617012680	6PK1145
96173680	5PK775
96180219	6PK1145
96180220	6PK1145
96182007	13A0825
96182008	13A0875
96183108	6PK1865
96183110	6PK880
96183873	5PK1195
96185000	13A0875
96188879	6PK1115
9618887980	6PK1115
96188881	6PK1740
96198509	6PK1145

OEM No.	Gates No.
96205509	6PK1600
9620550980	6PK1600
96209038	6PK730
9620903880	6PK730
96209040	6PK1145
96209042	6PK730
96209043	6PK1130
96209044	6PK1740
96211951	6PK1700
96225212	6PK1115
9622521280	6PK1115
96225213	6PK1740
96229218	3PK945
9623436980	6PK1155
9623549880	6PK1730
96235499	6PK1100
9623549980	6PK1100
96236847	6PK1165
9623684780	6PK1145
96236849	6PK1165
96236952	6PK1600
96236953	6PK1650
96236954	6PK1650
96239401	4PK910
96239407	11A0660
96239408	4PK675
96242335	4PK750
9624233580	4PK750
96242336	4PK750
9624233680	4PK750
96242337	6PK1740
96242338	6PK1100
9624233880	6PK1100
9624542280	6PK1195
9624542980	6PK1730
9624543180	6PK1195
96245972	3PK875
96251516	6PK1600
96261720	5PK1050
96267902	6PK1385
96267903	6PK1385
96273679	5PK725
96273681	5PK775
96284665	6PK1740
96287933	5PK1030
96290540	6PK1740
9629054080	6PK1740
96294079	6PK1600
9629407980	6PK1600
96294081	6PK1620
96294857	6PK865
96294858	6PK865
96294872	6PK1035
96295878	6PK1755

OEM No.	Gates No.
9630034080	6PK1600
96300342	6PK1600
96300343	6PK1620
96307961	6PK1755
9630796180	6PK1755
96308935	6PK1755
96309968	6PK1900
96313338	6PK1740
96315206	5PK830
96316038	6PK1560
96317187	6PK1730
9631718780	6PK1730
9632391980	6PK1600
96324103	6PK1740
96324104	6PK1740
9632600080	6PK1600
9633010080	6PK865
96330104	6PK1040
9633010480	6PK1040
9633010980	6PK1730
96334781	6PK1470
9633478180	6PK1470
96334782	6PK1470
9633478280	6PK1470
96337272	6PK1460
9634765180	6PK1715
96350327	6PK1730
96350467	13A0850
96350548	6PK1900
96352517	4PK735
96352605	6PK1865
96368342	6PK1775
96372505	6PK1470
9637529480	6PK1445
96375295	6PK1445
9638007780	6PK1560
9638027080	6PK1590
9638027180	6PK1590
9638234780	6PK1470
9638464180	6PK1730
9638464380	6PK1755
96391367	6PK1485
9640379480	6PK1155
96410695	6PK1190
9641069580	6PK1190
96410697	6PK1195
9641198680	6PK1445
96417058	6PK1715
9641705880	6PK1715
96420439	6PK1730
96423837	6PK975
9642383780	6PK975
9642383880	6PK1715
9642383980	6PK975

OEM No.	Gates No.
9642430680	6PK1180
9642458680	6PK730
9642574680	6PK1740
9642697380	6PK1145
9643903780	4PK860
9644351580	6PK1740
9644846680	6PK1740
9645583280	6PK1385
9647463180	6PK1470
9649006280	6PK965
9649183680	6PK1035
9649592880	6PK1590
9650686080	6PK1215
965114480	6PK1715
9651255580	6PK1230
9651255780	6PK1560
9651695680	6PK1885
9651764880	6PK1715
9651765080	6PK1730
9652250480	6PK880
9652250580	6PK880
9652258880	6PK1740
9652391980	6PK1600
9652746480	6PK1180
9652746780	6PK1740
9652945780	6PK965
9653204180	6PK1000
9653204380	6PK1000
9653319680	6PK1050
9653319780	6PK1065
9654114480	6PK1715
9655279280	6PK1195
9655945780	6PK1215
9656444980	6PK1145
9656847780	6PK1035
96569402	4PK735
96570669	4PK715
96570670	4PK675
9658144280	4PK920
9658643680	6PK1195
96603461	4PK955
96610562	4PK950
9661728880	6PK1085
9662806680	6PK1675
9663101080	6PK1085
966381	11A1060
966382	11A1105
966383	11A1180
966384	11A1205
966385	10A1250
966387	13A1050
966388	13A1250
966389	13A1300
966390	13A1325

OEM No.	Gates No.
966391	13A1100
966392	13A1125
966393	13A1200
966394	13A1200
966395	13A1225
966396	13A1275
966397	13A1325
966398	13A1325
966399	13A1350
9664069480	4PK920
9664471589	6PK1385
966605	13A1475
966642	11A1205
966693	11A1060
966694	11A1075
966695	11A1130
966702	13A1375
966845	13A1125
966846	13A1150
966847	13A1175
966858	13A1300
966869	10A1150
966894	11A0750
966898	11A0800
966902	11A0850
966903	11A0850
966904	11A0875
966905	11A0890
966909	11A0940
966910	11A0950
966912	11A0985
966913	11A0990
966923	11A1245
966931	11A1395
966964	11A0915
966965	11A0925
966968	11A0985
966976	11A1075
966978	11A1105
966980	11A1130
966993	11A1345
9670068	6PK1215
967102	13A0925
967103	13A0925
967107	13A0975
967111	13A1030
967112	13A1050
967114	13A1085
967122	13A1175
967126	13A1225
967129	13A1275
967133	13A1350
967137	13A1400
967139	13A1425

OEM No.	Gates No.
967144	13A1085
967184	13A1085
967191	13A1250
967194	13A1325
967197	13A1425
967199	13A1450
967201	13A1500
967202	13A1500
967204	13A1525
967205	13A1550
967206	13A1550
967207	13A1550
96817523	6PK1245
9681752380	6PK1245
9682237380	6PK975
968296	10A1010
968326	11A1180
968425	11A0925
968425	11A0915
968910	10A1150
968934	11A1075
968935	11A1105
968936	11A1105
969135	13A1425
969329	13A1880
969474	11A1270
969991	13A1200
969992	13A1200
96FB6C301AA	11A0825
96FB6C301AC	6PK860
96FB6C301BC	6PK1730
96FB6C301CD	6PK1445
96FF6C301A2A	5PK1015
96FF6C301AA	5PK1015
96FF6C301AC	5PK885
96FF6C301AE	5PK885
96FF6C301AF	5PK885
96FF6C301BC	5PK1135
96FF6C301BE	5PK1135
96FF6C301CC	5PK675
96FF6C301CD	5PK675
96FF6C301DA	5PK1015
96FF-6C301-EA	5PK1030
96FF6C301FA	5PK1030
96FF6C301GA	5PK710
96MF6C301AC	6PK1180
96MF6C301BA	6PK1775
96MF6C301BC	6PK1755
96MF6C301CC	6PK1930
96MF6C301DB	6PK1775
96WF6C301AA	6PK2050
96WF6C301AB	6PK2050
96WF6C301BA	6PK1755
97043551	17A1050

OEM No.	Gates No.
97062085	11A0660
97062613	17A1050
97062913	17A1050
97074109	13A0925
97100606	13A0875
97119226	13A1020
97130560	6PK2285
97137192	6PK1295
97137657	8PK2440
97141514	17A1050
973487	10A1010
973488	10A1010
973489	13A0975
973490	13A1065
973534	11A0800
973535	11A0850
973537	11A0925
973537	11A0915
973538	11A0940
973539	11A0950
973541	11A0985
973542	11A0990
973543	11A1015
973544	11A1245
973545	13A1425
973547	11A0875
973548	13A0925
973982	11A0925
974F6C301AA	13A0975
974F6C301BA	4PK1490
974F6C301CA	4PK1510
974F6C301CE	4PK1510
975093	11A1030
975093	11A1040
9750987880	10A0710
97518683	4PK1015
976115	10A1250
976411	11A0890
976483	11A0950
976485	11A1130
976486	10A1150
976487	10A1150
976488	11A1180
976489	11A1180
976490	11A1205
976494	11A1345
976496	11A1420
9765243000	13A0950
97652-43000	13A0925
97652-43010	13A0975
976532	11A1180
976533	11A1180
976535	10A1250
9771302000	4PK675

OEM No.	Gates No.
97713-02000	4PK675
9771311200	4PK815
97713-1C200	4PK815
97713-22000	4PK875
97713-22060	4PK830
97713-22260	4PK830
97713-22261	4PK815
97713-23300	4PK950
97713-24710	13A0825
9771326300	6PK1195
97713-26300	6PK1195
97713-28240	4PK940
97713-29000	4PK850
97713-29500	4PK850
97713-2D000	4PK815
97713-2D100	4PK855
97713-2D510	4PK855
97713-33310	13A0975
97713-33320	13A0980
97713-33340	4PK960
97713-39850	6PK1230
97713-4A000	13A0925
97713-4A010	13A0950
97713-4A060	13A0975
97713-4A080	13A0975
97714044	13A1450
977221	13A1350
977317	13A1250
977319	13A1300
977320	13A1400
977321	13A1425
977322	13A1450
977323	13A1500
977387	11A1395
977572	13A1250
977573	13A1400
977731	13A0950
977759	11A0840
978379	13A1175
978383	13A0900
978397	13A1175
978407	13A1175
978637	11A1205
978704	13A1050
978710	13A1065
978716	13A1090
978722	11A1130
978723	11A1130
978740	13A1150
978751	13A1200
978756	13A1225
978828	13A1575
978829	13A1575
978847	13A1980

OEM No.	Gates No.
979631	13A0975
97AB6C301AA	6PK1675
97AB6C301BA	6PK1930
97FF6C301AC	5PK1135
97FF6C301AD	5PK1135
97KB6C301BA	6PK1755
97KB6C301DA	6PK1930
97MF6C301BA	6PK1775
97WF6C301AA	6PK1420
97WF6C301BA	6PK1575
97WF6C301CA	6PK1900
97WF-6C301-CA	6PK1900
98010225102	5PK1270
980224	11A0890
980224	11A0885
981680	10A1010
98412210	4PK560
98423681	5PK855
98452287	5PK820
98455448	5PK885
98485800	5PK1080
98487322	6PK890
987107	11A0775
98BB6C301AA	6PK1970
98BB6C301BA	6PK2080
98BB-6C301-BA	6PK2080
98BB6C301CA	6PK2125
98FB6C301AA	11A0825
98FF6C301CD	6PK1420
98FF6C301DD	6PK1715
98FF-6C301-DD	6PK1715
98KB6C301AA	6PK1445
98MF6C301BC	6PK1740
98MF6C301CC	6PK1900
98MF6C301DA	6PK1910
98VW6A359CA	6PK1195
99321-00791	11A0800
99321-00805	11A0800
99321-00810	11A0800
9932100840	11A0840
99321-00840	11A0840
99321-00850	11A0850
99321-00860	11A0850
99321-00870	11A0875
9932100885	11A0890
99321-00885	11A0890
99321-00895	11A0900
99321-00898	11A0900
99321-50791	11A0800
99321-50840	11A0840
99321-50885	11A0890
99321-50895	11A0900
99321-50961	11A0965
99321-50975	11A0985

OEM No.	Gates No.
99321-50985	11A0990
99321-50995	11A0990
99322-00805	13A0825
99322-00860	13A0850
99322-00875	13A0875
99322-00880	13A0875
99322-00880-000	13A0875
99322-00890	13A0900
99322-00900	13A0900
99322-00910	13A0925
99322-00920	13A0925
99322-00930	13A0925
99322-00930	13A0950
99322-00940	13A0950
99322-00950	13A0950
99322-00960	13A0975
99322-00980	13A0975
99322-01030	13A1030
99322-01045	13A1050
99322-01050	13A1050
99322-01155	13A1175
9932201180	13A1175
99322-01240	13A1250
99322-01250	13A1250
99322-01260	13A1275
99322-01400	13A1400
99322-10870	13A0875
99322-10875	13A0875
99322-11250	13A1250
99322-11270	13A1275
99322-50835	13A0825
99322-50875	13A0875
99322-50940	13A0950
99322-50950	13A0975
99322-50985	13A0975
99322-51250	13A1250
99331-00870	11A0875
99331-00880	11A0875
99331-10811	11A0815
99331-10841	11A0840
99331-10870	11A0875
9933110880	11A0875
99331-50665	10A0675
99331-50666	10A0675
99331-50706	10A0710
99332-00805	13A0800
99332-00815	13A0800
99332-00825	13A0825
99332-00830	13A0825
99332-00850	13A0850
99332-00870	13A0875
99332-00880	13A0875
99332-00885	13A0875
99332-00890	13A0900

OEM No.	Gates No.
99332-00900	13A0900
99332-00905	13A0900
9933200910	13A0925
99332-00970	13A0975
99332-00985	13A1000
99332-01030	13A1030
99332-01040	13A1050
99332-01055	13A1050
99332-01055-000	13A1050
9933201070	13A1085
99332-01120	13A1125
9933201160	13A1175
9933201170	13A1085
99332-01230	13A1270
99332-01260	13A1250
99332-01360	13A1375
99332-01395	13A1400
99332-10761	13A0775
99332-10786	13A0775
99332-10820	13A0825
99332-10835	13A0825
99332-10860	13A0850
99332-10865	13A0875
99332-10870	13A0875
99332-10880	13A0900
99332-10890	13A0900
99332-10905	13A0900
99332-10990	13A1000
99332-10995	13A1015
99332-11000	13A1000
99332-11040	13A1050
99332-11110	13A1125
99332-11120	13A1125
99332-11180	13A1175
99332-11205	13A1200
99332-11230	13A1225
99332-11250	13A1250
99332-11260	13A1275
99332-11265	13A1275
99332-11275	13A1275
99332-11495	13A1500
99332-51120	13A1125
99332-51130	11A1130
99332-51135	13A1125
9933251300	13A1325
99332-60835	13A0825
99332-60865	13A0875
99332-60905	13A0900
99332-60910	13A0925
99332-60975	11A0965
99332-60980	13A0975
99332-61205	13A1200
99332-61260	13A1275
99332-61275	13A1275

OEM No.	Gates No.
99341-50840	11A0840
99342-00920	13A0925
99342-01020	13A1030
99342-01095	13A1100
99342-01100	13A1100
99342-01115	13A1100
99343-01065	17A1075
99343-01195	17A1210
99343-01225	17A1240
99343-01235	17A1240
99343-11090	17A1110
99343-11095	17A1110
99343-11510	17A1515
9934941	11A0890
99363-00630	3PK625
99363-00750	3PK760
99363-00760	3PK760
99363-00800	3PK800
99363-00890	3PK895
9936300950	3PK945
99363-00960	3PK960
99363-00970	3PK975
99363-10630	3PK625
99363-20630	3PK625
99363-20750	3PK760
99363-20760	3PK760
99363-30630	3PK625
99363-30750	3PK760
99363-30760	3PK760
99363-30850	3PK855
99363-31120	3PK1120
99363-50630	3PK625
99363-50760	3PK760
99363-51110	5PK1120
99363-70630	3PK625
99363-70760	3PK760
99363-80630	3PK625
99363-80740	3PK735
99363-80750	3PK760
99363-80760	3PK760
99363-90630	3PK625
99363-90750	3PK760
99363-90760	3PK760
99363-90850	3PK855
99363-91120	3PK1120
99364-00720	4PK715
99364-00770	4PK775
99364-00790	4PK790
99364-00800	4PK800
99364-00830	4PK830
99364-00840	4PK840
99364-00845	4PK845
99364-00850	4PK850
99364-00860	4PK860

OEM No.	Gates No.
99364-00870	4PK865
99364-00890	4PK890
99364-00910	4PK910
99364-00920	4PK925
99364-00930	4PK925
99364-00940	4PK940
99364-00970	4PK970
99364-00980	4PK980
99364-01080	4PK1080
99364-01090	4PK1090
99364-01100	4PK1100
99364-10850	4PK850
99364-20720	4PK715
99364-20770	4PK775
99364-20820	4PK830
99364-20840	4PK840
99364-20850	4PK850
99364-20860	4PK860
99364-20870	4PK865
9936420880	4PK875
99364-20890	4PK890
99364-20900	4PK900
99364-20920	4PK925
99364-20930	4PK925
99364-20940	4PK940
99364-21070	4PK1065
99364-21090	4PK1090
99364-21110	4PK1115
99364-21120	4PK1120
99364-30770	4PK775
99364-30850	4PK850
99364-30860	4PK860
99364-30900	4PK900
99364-30940	4PK940
99364-31110	4PK1100
99364-31240	4PK1245
99364-31720	4PK1710
99364-50720	4PK715
99364-50810	4PK815
99364-50830	4PK830
99364-50840	4PK840
99364-50880	4PK875
99364-50890	4PK890
99364-50900	4PK900
99364-50940	4PK940
99364-51070	4PK1065
99364-51110	4PK1115
99364-51160	4PK1170
99364-51170	4PK1170
99364-51200	4PK1195
99364-70720	4PK715
99364-70830	4PK830
99364-70840	4PK840
99364-70860	4PK860

OEM No.	Gates No.
99364-70890	4PK890
99364-70970	4PK970
99364-71100	4PK1100
99364-80720	4PK715
99364-80750	4PK750
99364-80810	4PK815
99364-80820	4PK830
99364-80830	4PK830
99364-80850	4PK850
99364-80860	4PK860
99364-80880	4PK875
99364-80910	4PK910
99364-80930	4PK925
99364-81070	4PK1065
99364-81080	4PK1080
99364-81100	4PK1100
99364-81120	4PK1120
99364-81770	4PK1770
99364-90880	4PK875
99364-90920	4PK925
99364-90930	4PK925
99364-90940	4PK940
99364-91080	4PK1080
99364-91180	4PK1180
99364-C1050	4PK1050
99364H1390	4PK1385
99365-00780	5PK775
99365-00790	5PK790
99365-00800	5PK800
99365-00820	5PK820
99365-00860	5PK855
99365-00870	5PK870
99365-00880	5PK875
99365-00900	5PK900
99365-00920	5PK915
99365-00930	5PK940
99365-00970	5PK970
99365-00980	5PK975
99365-01000	5PK1000
99365-01010	5PK1015
99365-01050	5PK1050
99365-01060	5PK1065
99365-01080	5PK1080
99365-01100	5PK1105
99365-01110	5PK1120
99365-01120	5PK1120
99365-01290	5PK1295
99365-01300	5PK1305
99365-02295	5PK1000
99365-10970	5PK970
99365-10980	5PK975
99365-11110	5PK1120
99365-20870	4PK865
99365-20880	5PK875

OEM No.	Gates No.
99365-20920	5PK915
99365-20970	5PK970
99365-20980	5PK970
9936521010	5PK1015
99365-21030	5PK1030
99365-21050	5PK1050
99365-21060	5PK1065
99365-21070	5PK1080
99365-21080	5PK1080
99365-21100	5PK1105
99365-21110	5PK1120
99365-21130	5PK1135
99365-21190	5PK1195
99365-21210	5PK1210
99365-21220	5PK1210
99365-31080	5PK1080
99365-31090	5PK1090
99365-31100	5PK1105
99365-31110	5PK1120
99365-31120	5PK1120
99365-31130	5PK1135
99365-31210	5PK1210
99365-50790	5PK790
99365-50820	5PK820
99365-50830	5PK830
99365-50870	4PK865
99365-50880	5PK875
99365-50890	5PK890
99365-50895	5PK900
99365-50900	5PK900
99365-50910	5PK915
99365-50920	5PK915
99365-50940	5PK940
99365-50950	5PK950
99365-50960	5PK970
99365-50970	5PK970
99365-51000	5PK1000
99365-51050	5PK1050
99365-51070	5PK1080
99365-51080	5PK1080
99365-51100	5PK1105
99365-51110	5PK1120
99365-51120	5PK1120
99365-51130	5PK1135
99365-51210	5PK1210
99365-51300	5PK1305
99365-60970	5PK970
99365-61140	5PK1135
99365-70820	5PK820
99365-70840	5PK830
99365-70880	5PK875
99365-70980	5PK970
99365-71070	5PK1080
99365-71090	5PK1090

OEM No.	Gates No.
99365-71100	5PK1105
99365-71110	5PK1120
99365-71120	5PK1120
99365-71190	5PK1195
99365-71290	5PK1295
99365-80820	5PK820
99365-80840	5PK830
99365-80870	4PK865
99365-80890	5PK890
99365-80910	5PK915
99365-80920	5PK915
99365-80970	5PK970
99365-81030	5PK1030
99365-81080	5PK1080
99365-81090	5PK1090
9936581100	5PK1105
99365-81100	5PK1105
99365-81110	5PK1120
99365-81120	5PK1120
99365-81130	5PK1135
99365-81150	5PK1145
99365-81190	5PK1195
99365-81210	5PK1210
99365-81220	5PK1210
99365-90890	5PK890
99365-90910	5PK915
99365-91090	5PK1090
99365-91110	5PK1120
99365-91120	5PK1120
99365-91240	5PK1245
99365-A0930	5PK940
99365-A1190	5PK1195
99365-C0930	5PK940
99365-C1110	5PK1120
99365-C1190	5PK1195
99365-D1110	5PK1120
99366-01050	6PK1050
99366-20780	6PK780
9936621040	6PK1040
99366-21050	6PK1050
9936631040	6PK1040
99366-31040	6PK1040
99366-31820	6PK1815
99366-50820	6PK825
99366-50940	6PK940
99366-70820	6PK825
99366-71050	6PK1050
99366-80730	6PK730
99366-80780	6PK780
99366-80820	6PK825
99366-80940	6PK940
99366-90820	6PK825
99366-A0780	6PK780
99366-C0970	6PK975

OEM No.	Gates No.
99366C1040	6PK1040
99366-C1220	6PK1215
99366C2200	6PK2205
99366-C2230	6PK2230
99366D1040	6PK1040
99366-D1930	6PK1930
99366-D2230	6PK2230
99366H1040	6PK1040
99366-K0910	6PK925
99366K1040	6PK1040
99366-K1230	6PK1230
99366K1770	6PK1775
99367-00920	7PK920
993670092083	7PK920
99367-31350	7PK1350
99367-50920	7PK920
99367-D2120	7PK2120
99367L1370	7PK1370
99367L1870	7PK1865
9936C1220	6PK1215
99461393	6PK925
99462544	5PK1105
99521-00870	11A0875
99521-10780	11A0775
99521-10789	11A0785
99521-10808	11A0800
99521-10839	11A0840
99521-10843	11A0840
99521-10851	11A0850
99521-10853	11A0850
99521-10860	11A0850
99521-10873	11A0875
99521-10880	11A0875
99521-10887	11A0890
99521-10889	11A0890
99521-10897	11A0900
99521-10902	11A0900
99521-10929	11A0925
9952110959	11A0955
99521-10959	11A0950
99522-10808	13A0825
99522-10848	13A0850
99522-10890	13A0900
99522-10892	13A0900
99522-10900	13A0900
99522-10901	13A0900
99522-10904	13A0900
99522-10911	13A0925
99522-10913	13A0925
99522-10918	13A0925
99522-10925	13A0925
99522-10926	13A0925
99522-10934	13A0950
99522-10938	13A0950

OEM No.	Gates No.
99522-10942	13A0950
99522-10951	13A0950
99522-10958	13A0950
99522-10960	13A0975
99522-10964	13A0975
99522-10976	13A0975
99522-10980	13A0975
99522-11002	13A1100
99522-11159	13A1150
99522-11159	13A1175
99522-11180	13A1175
99522-11192	13A1200
99522-11218	13A1225
99522-11232	13A1225
99522-11243	13A1250
99522-11256	13A1250
99522-11275	13A1250
99522-11363	13A1375
99522-11390	13A1400
99522-11920	13A0925
99610215164	6PK2125
99610215165	6PK1930
99610215166	6PK2125
99610215193	6PK2260
997132E000	4PK855
9977392	11A0955
9978692	13A1255
9990150	11A0850
9990155	11A0875
99919200650	11A0825
99919201350	10A0710
99919209750	11A0725
99919211750	13A1050
99919212750	13A1030
99919212850	13A0975
99919213550	11A0875
99919214650	13A1085
99919214850	13A1125
99919215450	11A1060
99919216150	13A1050
99919217350	13A1200
99919217650	10A0710
99919217750	11A1060
99919220050	11A0890
99919220450	5PK735
99919220650	5PK1000
99919220750	5PK1000
99919221450	4PK860
99919223650	11A0950
99919225450	13A1150
99919225550	13A1200
99919225950	5PK885
99919226650	6PK860
99919226950	6PK860

OEM No.	Gates No.
99919228250	6PK730
99919228350	6PK1000
99919228450	6PK730
99919228550	6PK1000
99919228650	13A1000
99919229050	6PK730
99919229150	6PK1000
99919229550	6PK1000
99919229950	6PK1000
99919230550	13A1125
99919230650	13A0950
99919233550	13A1085
99919233850	11A0775
99919234350	11A0760
99919234550	11A0785
99919234750	6PK880
99919235250	13A1085
99919236350	13A1085
99919236350	13A1090
99919236550	6PK1555
99919237250	11A0750
99919237350	11A0750
99919237950	6PK2275
99919253650	6PK1420
99970292	11A0990
99970392	11A1005
99971792	6PK2350
99971892	6PK2455
99975292	11A0990
99975392	11A1005
99975492	6PK2170
99978692	8PK2460
99978792	8PK2460
99979192	6PK2150
99979592	8PK2325
99979692	8PK2440
95518620AA	4PK675
95518620BA	5PK1145
95518620CA	6PK1180
A172067A00	4PK1015
A172A-59M9AGA	13A0850
A1950-42L00	3PK855
A195A43G0AGA	13A1155
A195A-43G0A-GA	13A1150
A850X8620BCA	11A0950
A86AX6C301AA	13A0850
A86AX6C301BA	10A0635
AA331-15-909	13A0900
AAU3550	11A0800
AAU3577	11A0825
AAU8072	11A0875
ADU4236	11A0825
ADU6528	11A0940
ADU7785	4PK815

OEM No.	Gates No.
ADU7786	4PK960
ADU9401	11A1060
AEA489	11A0900
AEC932	11A1120
AEH473	11A0985
AEH621	11A0985
AEJ101	11A0840
AEJ63	11A0850
AHU2174	4PK890
AHU2716	3PK760
AHU2747	5PK1210
AHU2749	6PK1445
AJ03-15-908	6PK2080
AJ0315908A	6PK2080
AJ0315908B	6PK2080
AJ03-18-381	3PK680
AJ52-15-908	6PK2080
AJK4 345	4PK875
AJK6965	6PK2395
AK532-17	11A0775
AM06-18-381A	13A0950
AM21-18-381	11A0950
AM532-17	11A0800
AM532-17A	11A0775
AM5Q6C301AB	6PK1015
AS0115907C	4PK900
AS0315909	6PK1790
AW333966	5PK1245
AW342655	5PK1390
AW343977	6PK1195
AW346710	6PK1145
AW349249	5PK1345
AW350877	5PK1065
AY1404154M	4PK1540
AY1405107M	5PK1080
AY14060922	6PK925
AY532-17	11A0750
AZ0115908	11A0735
AZ2815908	11A0785
B0013411	11A1060
B0013431	11A1090
B0015386	11A0965
B0015387	11A0950
B0015387	11A0965
B0015396	11A0990
B0015402	10A1010
B0015475	11A1205
B0015491	11A1225
B0015491	11A1220
B0017465	13A1175
B301-15-909	4PK950
B303-18-381	11A0890
B36015907A	4PK875
B366-15-907	4PK890

OEM No.	Gates No.
B366-15-908	4PK885
B366-15-908A	4PK885
B366-15-909	4PK1005
B3C7-15-907B	4PK845
B3C7-15-907C	4PK850
B3C7-15-909A	4PK960
B3C7-15-909C	4PK970
B3C7-18-381	4PK875
B3C7-18-381A	4PK875
B3C7-18-381B	4PK875
B3J2-15-909	4PK970
B3P5-15-908	4PK875
B3P7-15-908	4PK875
B4040382	4PK980
B4040410	4PK1040
B4040412	4PK1050
B4050715	5PK1815
B4061025	6PK2605
B501-15-908	4PK890
B58718381	4PK885
B587-18-381	4PK890
B588-15-909	4PK1015
B595-15-909	4PK990
B59615907	4PK890
B596-15-907	4PK890
B596-15-909	4PK990
B596-18-381	4PK885
B5A1-18-381	4PK875
B5C7-15-909	4PK955
B5C8-15-909	4PK955
B601-18-381	11A0965
B601-18-381A	11A0890
B611-15-908	13A0950
B611-15-908A	13A0950
B612-15-909A	4PK980
B61H-18-381A	13A0900
B61P15907	4PK865
B61P-15-907A	4PK855
B630-15-907	4PK875
B630-15-907A	4PK875
B63015907B	4PK875
B63H15909	4PK955
B660-15-908	4PK890
B661-15-909	4PK990
B6A9-15-908A	4PK900
B6A9-15-909A	4PK1005
B6BF 18381	4PK890
B6BF-15-907	4PK890
B6BF-18-381	4PK885
B6BF18381A	4PK890
B6C715909	4PK950
B6DG15909	4PK990
B6S7-15-909	4PK1015
B6S7-18-381A	13A0900

OEM No.	Gates No.
B6S7-18-381B	13A0900
B6SF-18-381A	13A0900
B6SF-18-381B	13A0900
BA 8620 A	6PK2190
BP25-15-908	4PK890
BP25-15-908A	4PK890
BP4W-15-907A	4PK860
BP4W-15-907B	4PK855
BP4W-18-381	4PK885
BPD4-15-909	4PK1005
BPE6-15-909	4PK1005
BPE7-15-909	4PK1005
BPE8-15-908	4PK850
BPE8-15-909A	4PK950
BPF3-15-909A	4PK950
BPH7-15-909	4PK1005
C10912	11A0950
C13593	11A0925
C13595	11A1030
C14535/1	13A1000
C14723/1	13A0950
C15840	13A1000
C201-15-900	6PK1040
C20115907	6PK1040
C20115909	5PK690
C201-15-909	6PK1015
C20115909A	5PK690
C201-15-909A	6PK1015
C20115SAX	6PK1015
C201-15-SAX	5PK690
C20887	13A0750
C23138	11A0915
C23344	13A1200
C27844	13A1125
C28955	13A0775
C28956	13A1175
C28957	13A0875
C29607	11A0900
C29608	11A0850
C29849	11A0825
C2S24900	6PK2460
C2S27001	6PK1650
C32690	13A0800
C36122	11A0875
C36123	13A1525
C37891	13A1085
C41588	11A0840
C43070	13A0850
C5NE8620B	13A1400
C7898	11A1030
C7NN8620A	11A1450
C9NN10C318A	13A1400
C9NN10C318B	13A1400
CAM7910	11A0950

OEM No.	Gates No.
CC5TZ8A615L	13A1085
CDU2160	3PK760
CFB10825	11A0825
D2AE8A615FA	13A1085
D2NN8620A	13A1450
D3NN10C318A	13A1400
D3NN10C318C	13A1400
D410-15-907	13A0950
D41018381	11A0825
D41018381A	11A0825
D410-18-381A	11A0825
D4NN10C318A	13A1400
D53015907	4PK865
D53015909	4PK1080
D5NN10C318A	13A0825
D5NN10C318C	13A0775
D6510009	5PK1210
D6NN8620A	13A1175
D6NN8620B	13A1475
D72194	13A1325
D8NN10C318AA	13A1450
DBP4066	3PK760
DBP4067	3PK760
DBP4281	3PK760
DBP9213	3PK735
DBP9214	3PK735
DD391-18	11A0800
DF391-18	11A0750
DM231-6	11A0950
DS231-6	11A0915
DX231-213A	11A0985
DX231-6A	11A0990
DX231-6D	11A0985
E0TA8620C	11A0815
E301-15-907	13A1125
E30118381	11A0965
E301-18-381	11A0965
E331-15-907	4PK1180
E356-18-381	11A0965
E561-15-907	4PK1040
E93A8620B	13A1000
E93A8620C	13A0950
EA03231005	11A0750
EA03231006	11A0750
EA03231007	11A0750
EAC3850	10A1010
EAC3878	13A0975
EAC7033	4PK990
EAC9369	4PK840
EA03231005	11A0750
EBC11220	4PK1015
EBC11306	5PK975
EDU1357EVA	11A1075
EIADKN8620C	13A1150

OEM No.	Gates No.
EJ3V0897	13A0900
EJ3V1080	13A1085
EJ3X1190	13A1200
EJ4K1010	4PK1015
EJ6K1350	6PK1355
EJ6K1415	6PK1420
EJ6K1654	6PK1650
EO4A8620	13A0950
EOTA8620C	11A0815
EOTA8620C2	11A0815
ERC0026	13A1175
ERC0400	13A0850
ERC1347	13A0850
ERC1742	13A1050
ERC2774	13A0850
ERC304	11A0915
ERC4272	13A0800
ERC5146	13A0750
ERC5836	11A1130
ERC6072	13A0925
ERC6504	11A1030
ERC657	13A0925
ERC675	13A0925
ERC6886	11A1030
ERC8852	11A0775
ERC8938	11A1060
ERR0810	13A1030
ERR0914	5PK1135
ERR2073	10A0675
ERR2215	4PK1320
ERR2678	4PK1260
ERR3287	7PK1605
ERR416	5PK1210
ERR4460	7PK2120
ERR4461	7PK1865
ERR4623	7PK2250
ERR5579	7PK2240
ERR5911	7PK1580
ERR6191	7PK1865
ERR6896	7PK2705
ERR6898	7PK2345
ERR6899	7PK1770
ERR810	13A1030
ERR914	5PK1135
ES03231002	11A0750
ESO3231000	11A0750
ETC4266	10A0710
ETC4267	10A0675
ETC4272	13A0800
ETC4705	10A0675
ETC5815	13A0725
ETC7394	11A1220
ETC7469	10A0610
ETC7899	10A0675

OEM No.	Gates No.
ETC7939	11A1030
ETC9002	13A1200
ETC9009	13A1350
ETC9019	13A1175
ETC9080	13A0875
ETC9101	4PK840
F201-15-907A	5PK1015
F201-15-908A	5PK950
F201-15-909A	5PK1065
F201-18-381A	3PK760
F201-18-908A	5PK950
F23015909	5PK1065
F262-18-381A	3PK760
F2F6-18-381	3PK760
F2J4-18-381	13A1000
F32Z8620A	5PK1030
F32Z8620B	4PK925
F32Z8620C	5PK1165
F32Z8620G	5PK865
F32Z8620J	5PK1015
F32Z8620K	4PK925
F3DE8620C1A	6PK2150
F53E8620AB	6PK1815
F53E8620AP	6PK1815
F53E8620BB	6PK1590
F53E8K543AA	3PK680
F53E-8K543-AA	3PK680
F53E8K543AB	3PK680
F7PE8620AA	6PK2150
F7PE8620BA	6PK2080
F7PE8620BB	6PK2080
F80115381A	4PK815
F801-15-381A	4PK815
F80215907A	5PK975
F802-15-907A	5PK975
F807-15-907	5PK1015
F80715908A	5PK950
F80715909A	5PK1050
F807-15-909A	5PK1050
F808-15-381	4PK875
F808-15-907A	4PK640
F82A-15-909	4PK980
F82A-18-381A	4PK925
F82B-15-909	4PK980
F83E8620AA	6PK1815
F851-18-381A	13A0775
F852-18-381	13A0950
F874-18-381	13A0825
F89E8620CB	6PK2170
F8A6-18-381	13A0950
F8B518381	4PK815
F8B518381C	4PK815
FA03231000	11A0775
FA03231001	11A0775

OEM No.	Gates No.
FA03231002	11A0775
FC03231001	11A0850
FD-032.310.00	11A0800
FD03231000	11A0800
FD03231001	11A0850
FD03231002	11A0850
FDU1817EVA	3PK760
FDU2906EVA	11A0890
FE1H-15-907	13A0825
FE46-18-381	13A1000
FE4N-15-909A	5PK1065
FE65-18-381	13A0850
FE70-18-381	13A0750
FE82-18-381	13A0950
FEB1-18-381	13A1030
FEDK18381	13A0950
FEMJ-18-381	6PK1180
FP01-15-907	5PK1030
FP01-15-907A9F	5PK1030
FP01-15-909	5PK1145
FP02-15-909	5PK1145
FP0215909A	5PK1145
FP02-15-909A	5PK1155
FP04-15-907A	5PK1030
FS0505909	5PK1165
FS05-15-907	5PK1030
FS0515909	5PK1165
FS05-15-909	5PK1165
FS05-18-381	4PK925
FS1115907	5PK1030
FS11-15-907	5PK1030
FS11-15-907A	5PK1030
FS12-15-909	5PK1165
FS12-15-909A	5PK1165
FS12-15-909B	5PK1165
FS12-18-381	4PK925
FS1218381A	4PK925
FS12-18-381A	4PK925
FS1E-18-381	4PK925
FS59-18-381	4PK925
FS59-18-381A	4PK925
FS59-18-381B	4PK925
FSJ2-18-381	4PK925
FSM3-18-381	4PK925
G3012-AA608	4PK885
G3031-FA613	5PK970
G601-15-908	13A1175
G601-15-908A	13A1175
G601-18-381	13A1065
GCB10700	10A0710
GCB10706	10A0710
GCB10715	10A0710
GCB10813	11A0815
GCB10825	11A0825

OEM No.	Gates No.
GCB10838	11A0840
GCB10914	11A0925
GCB10937	11A0940
GCB10950	11A0950
GCB50765	11A0750
GE03931000	13A1125
GFB101	11A0925
GFB101415	6PK1420
GFB101448	6PK1445
GFB101750	6PK1755
GFB102	11A0815
GFB103	11A0900
GFB104	11A0825
GFB105	11A1120
GFB10706	10A0710
GFB10775	11A0775
GFB10813	11A0800
GFB10813	11A0815
GFB10825	11A0825
GFB10838	11A0840
GFB10875	11A0875
GFB10900	11A0900
GFB10950	11A0950
GFB10975	11A0985
GFB11044	11A1060
GFB11065	11A1060
GFB1120	5PK2020
GFB1121	5PK870
GFB1122	6PK1560
GFB1123	6PK1285
GFB120	11A0865
GFB121	11A0850
GFB122	11A1130
GFB122	11A1120
GFB123	13A1100
GFB124	11A1030
GFB124	11A1060
GFB127	11A0890
GFB128	13A1085
GFB136	11A0985
GFB142	11A1105
GFB144	11A1270
GFB145	11A0985
GFB147	13A1175
GFB165	11A1060
GFB168	11A1030
GFB170	11A1130
GFB176	11A0900
GFB176	11A0890
GFB182	11A0890
GFB183	11A0825
GFB183	11A0840
GFB185	11A0815
GFB189	13A1085

OEM No.	Gates No.
GFB192	11A0825
GFB192	11A0840
GFB193	11A0815
GFB195	11A0825
GFB196	11A0890
GFB197	11A0840
GFB205	11A0950
GFB206	11A0950
GFB20864	13A0850
GFB209	11A1105
GFB210	11A0840
GFB21075	13A1085
GFB211	11A1225
GFB212	11A0950
GFB213	11A1105
GFB214	11A0915
GFB215	13A1175
GFB216	13A0850
GFB220	13A1085
GFB227	13A1175
GFB233	13A0850
GFB240	11A0840
GFB243	13A1085
GFB246	11A1060
GFB248	11A1105
GFB249	11A0950
GFB250	11A0950
GFB251	11A0815
GFB252	11A0825
GFB253	11A0840
GFB255	11A0950
GFB258	11A1060
GFB259	13A0925
GFB262	11A0985
GFB264	13A1085
GFB272	11A0940
GFB273	11A0875
GFB303	13A1000
GFB350	3PK735
GFB352	3PK760
GFB356	3PK1080
GFB357	11A1060
GFB358	4PK910
GFB359	3PK1080
GFB360	3PK760
GFB362	10A0710
GFB366	3PK735
GFB367	3PK760
GFB369	11A1075
GFB370	11A1075
GFB371	3PK1080
GFB372	3PK760
GFB373	3PK760
GFB375	4PK865

OEM No.	Gates No.
GFB376	10A0710
GFB378	3PK1080
GFB400	4PK815
GFB402	5PK950
GFB403	5PK950
GFB404	5PK1105
GFB405	4PK1065
GFB406	5PK1105
GFB407	5PK1105
GFB408	3PK785
GFB409	5PK775
GFB50949	11A0950
GFB60825	11A0825
GFB60838	11A0840
GFB60937	11A0940
GFB61038	11A1060
GFB700	11A0890
GFB701	11A0940
GFB702	5PK700
GFB70755	3PK760
GFB80743	4PK735
GFB80750	4PK750
GFB80755	4PK750
GFB80760	4PK760
GFB80770	4PK775
GFB80795	4PK790
GFB80823	4PK815
GFB80890	4PK890
GFB80910	4PK910
GFB80925	4PK925
GFB90633	5PK635
GFB90698	5PK700
GFB90790	5PK790
GFB90890	5PK890
GFB91150	5PK1145
GFB91165	5PK1165
GFB91170	5PK1165
GFB91205	5PK1210
GFB91496	5PK1495
GFB91790	5PK1790
GMB101	4PK790
GMB102	4PK790
GMB103	4PK815
GMB104	5PK950
GMB107	4PK1065
GMB108	4PK865
GMB109	4PK830
GMB30735	3PK760
GMB30738	3PK735
GMB30755	3PK760
GMB40750	4PK750
GMB40770	4PK775
GMB40890	4PK890
GMB40910	4PK910

OEM No.	Gates No.
GMB50735	5PK735
GMB50830	5PK830
GMB50956	5PK950
GMB51145	5PK1145
GMB51150	5PK1145
GMB51165	5PK1165
GMB51165XS	5PK1165
GMB51190	5PK1195
GMB51202	5PK1195
GMB51496	5PK1495
GMB51790	5PK1790
GMB61180	6PK1180
GMB61185	6PK1180
GMB61290	6PK1285
GMB61415	6PK1420
GMB61448	6PK1445
GMB61465	6PK1460
GMB61553	6PK1555
GMB70755	3PK760
GRP101448	6PK1445
GY01-18-381	3PK680
GY0215908	6PK2080
GY02-18-381A	6PK2080
H72AB8620AA	11A0825
HB03231000	11A0785
HG231-6A	11A1120
HJ820002A	13A0950
HJ820003	13A0925
HJ820008	13A1425
HY231-6	11A1295
HY231-6B	11A1270
HY391-18	11A0915
IG2716	11A0900
IH1001	11A0900
J212492	13A1085
J213567	13A1050
J3226936	13A1175
J3239615	11A1090
J503-15-381A	6PK1400
J503-15-908	4PK1030
J90916-02209	13A1050
J99331-10870	11A0875
J99332-00830	13A0825
J99332-00870	13A0875
J99332-01040	13A1050
J99332-10865	13A0875
J99332-10870	13A0875
J99332-11120	13A1125
J99332-60865	13A0875
J9936450830	4PK830
J99364-50830	4PK830
J9936450840	4PK830
J99364-50840	4PK830
JC373	13A0940

OEM No.	Gates No.
JC420L	13A1065
JC473	13A1195
JE48-15-908	4PK1015
JE5315908A	4PK1005
JE5318381	4PK1005
JE57-18-381	13A1030
JE57-18-381A	13A1030
JE72-15-908	13A1000
JE74-15-907	4PK910
JE74-15-908	5PK990
JF01-15-908	13A1000
JF01-18-381A	13A1030
JK5 464	5PK1170
JPB100045EVA	4PK815
JY013432	11A1090
K805-15-907A	4PK925
K805-15-907B	4PK925
K805-15-908A	5PK1015
K805-15-908B	5PK1015
K805-18-381A	5PK855
K805-18-381B	5PK855
KF33-15907	4PK925
KF33-15-907	4PK925
KFC815907	4PK900
KJ01-18-381A	7PK1605
KK01-15-908B	11A0890
KK01-18-381A	11A0890
KK140-15-909	4PK925
KK37115909	4PK900
KK371-15-909	4PK900
KK371-18-381B	4PK875
KKI02-18-381	11A0890
KKY01-15-908B	11A0890
KKY01-18-381A	11A0890
KKY02-18-381	11A0890
KL1118381B	5PK855
KL47-15-907	4PK925
KL47-15-908	5PK1000
KL47-15-908A	5PK1000
KL70-15-908	5PK1000
KL70-15-908A	5PK1000
KLG415908	5PK1015
L327-15-909	6PK2210
L327-15-909A	6PK2210
L327-15-909B	6PK2210
L329-15-909	6PK2305
L329-15-909A	6PK2305
L329-15-909B	6PK2305
L33615909	6PK2275
L336-15-909A	6PK2275
L33615909B	6PK2275
L336-15-909B	6PK2275
L37315909	6PK1335
L37K15909	6PK2325

OEM No.	Gates No.
L3B615909	6PK2275
L3K915909A	6PK2325
L51015909B	6PK2275
LF17-15-909	6PK2160
LF17-15-909A	6PK2160
LF17-15-909B	6PK2160
LF19-15-909	6PK2250
LF19-15-909A	6PK2250
LF1915909B	6PK2250
LF4J15909B	6PK2230
LF5015909	6PK1300
LF5015909A	6PK1300
LF5115908	5PK7165F
LF5115909	6PK1300
LFG115909B	6PK2250
LFH1-15-909B	6PK2260
LFJ5-15-909B	6PK2160
LFY215SAX	5PK7165F
LR000996	6PK1740
M39671	4PK850
M41091	5PK980
M41092	3PK760
M616942	5PK1120
M809320	6PK1145
M819189	6PK1650
M883832	6PK1790
MACO 125629	4PK1015
MACO 125630	4PK1005
MACO 155175	4PK960
MACO 171270	13A0965
MACO 174457	13A0965
MB076629	13A0620
MB166385	13A1030
MB166386	13A0775
MB166411	13A0750
MB166986	13A0775
MB167062	13A0825
MB167064	13A0875
MB167065	13A0900
MB167066	13A0950
MB167067	13A0975
MB167069	13A1000
MB178430	13A0675
MB192976	13A0975
MB192977	13A0675
MB266253	13A1030
MB272651	13A0875
MB272651	13A0900
MB272652	13A0925
MB272653	13A0950
MB272654	13A0975
MB288838	13A0620
MB298267	13A0925
MB332253	13A0800

OEM No.	Gates No.
MB350809	13A0620
MB351275	13A0650
MB366-15-907	4PK890
MB366-15-907A	4PK890
MB376-15-907	4PK800
MB3C7-15-907C	4PK850
MB3C7-18-381B	4PK875
MB439336	4PK925
MB439494	4PK925
MB439714	4PK910
MB501593	13A0620
MB501594	13A0675
MB553390	13A0650
MB553391	13A0620
MB553392	13A0675
MB553428	13A0675
MB553429	13A0620
MB553430	13A0800
MB553431	13A0620
MB553742	13A0620
MB553792	13A0975
MB568898	4PK940
MB568899	4PK950
MB636351	13A0925
MB636553	13A1150
MB657285	4PK990
MB813251	5PK1120
MB813272	5PK1120
MB813344	13A0925
MB813382	13A0950
MB813600	6PK1145
MB813806	5PK875
MB813867	5PK1145
MB831600	6PK1145
MB879764	6PK1145
MB897764	6PK1145
MB917985	5PK1120
MB917986	5PK855
MB918384	5PK1040
MB938467	4PK890
MB946603	5PK1065
MB946672	13A0950
MB958692	13A0900
MB958695	5PK1245
MB958696	4PK940
MD005350	11A0815
MD005351	11A0815
MD007528	11A0940
MD007628	11A0940
MD009060	11A0940
MD011351	11A0865
MD011764	13A0950
MD017469	17A1110
MD021458	13A0925

OEM No.	Gates No.
MD021663	11A0940
MD025522	13A0950
MD025523	11A0965
MD025826	11A0940
MD026572	11A0940
MD027458	11A0940
MD030768	11A0865
MD041704	11A0985
MD050180	17A1110
MD063845	13A1000
MD069671	4PK865
MD069672	4PK940
MD070584	13A1000
MD071350	13A1000
MD074251	4PK980
MD076885	17A1110
MD083704	13A1000
MD095193	13A1000
MD100349	13A1000
MD101800	5PK1245
MD102970	13A1000
MD102970	13A1030
MD106658	4PK865
MD111147	4PK980
MD112347	11A1090
MD115677	5PK1015
MD117356	4PK875
MD117358	4PK875
MD118572	4PK875
MD118716	6PK1630
MD120557	13A1030
MD122602	4PK980
MD127134	13A0975
MD130766	4PK980
MD132479	4PK980
MD134958	5PK1245
MD134959	6PK1630
MD137245	5PK1330
MD137594	4PK990
MD142117	5PK1345
MD144817	4PK980
MD159552	17A1110
MD163032	4PK775
MD165995	6PK1065
MD171373	4PK775
MD172376	4PK925
MD172544	5PK950
MD173201	4PK925
MD173536	3PK760
MD176793	13A0620
MD176794	13A0650
MD176795	13A0620
MD178429	13A0620
MD178430	13A0675

OEM No.	Gates No.
MD178431	13A0675
MD179679	4PK925
MD180106	5PK925
MD180574	4PK760
MD180581	13A0750
MD180582	13A1135
MD183556	4PK760
MD184355	13A1030
MD184973	4PK950
MD185956	13A0975
MD185959	13A0925
MD185960	13A0800
MD185961	13A0620
MD185962	13A0620
MD185963	13A0975
MD185964	13A0775
MD186111	4PK640
MD186123	4PK980
MD186124	4PK980
MD186125	4PK980
MD186126	4PK990
MD187461	5PK1245
MD187462	5PK1345
MD187463	6PK1065
MD188026	5PK950
MD188826	4PK1120
MD189129	4PK640
MD189130	4PK700
MD191218	4PK940
MD192808	4PK760
MD192809	5PK950
MD197722	5PK925
MD198169	13A1030
MD199223	5PK1135
MD199224	4PK1065
MD199826	4PK1120
MD300587	4PK700
MD301833	4PK775
MD303031	4PK900
MD303288	4PK595
MD303478	11A1075
MD303972	11A1075
MD304887	5PK1345
MD308925	4PK955
MD308989	5PK1495
MD310014	4PK1065
MD310371	5PK1040
MD310616	4PK980
MD310617	4PK700
MD311554	5PK950
MD311704	4PK1080
MD311757	11A1105
MD311758	11A1105
MD312400	4PK775

OEM No.	Gates No.
MD3130370	5PK990
MD313658	11A1105
MD313659	11A1105
MD313660	11A1090
MD313662	11A1090
MD313663	11A1075
MD313664	11A1075
MD314778	4PK595
MD316007	13A1030
MD316008	13A1030
MD316140	5PK1135
MD317142	6PK1065
MD317245	5PK1330
MD317528	5PK1080
MD317529	5PK1330
MD318667	6PK1065
MD318874	6PK1195
MD319917	5PK1080
MD322330	4PK900
MD323573	6PK1195
MD325262	5PK975
MD325599	5PK1065
MD325600	5PK870
MD326780	4PK940
MD326781	5PK1390
MD326782	5PK1090
MD331884	5PK1305
MD334464	4PK775
MD337406	4PK885
MD337407	5PK940
MD337658	4PK1065
MD338461	4PK940
MD338462	5PK1370
MD338513	5PK865
MD339525	5PK1080
MD340589	6PK965
MD340660	11A1075
MD340661	11A1075
MD340887	6PK1445
MD343575	4PK775
MD344478	5PK950
MD345384	5PK1080
MD345395	5PK865
MD345397	5PK1065
MD349465	5PK940
MD350259	6PK1215
MD350607	4PK715
MD355002	4PK980
MD357086	5PK970
MD360214	6PK1775
MD360215	6PK1445
MD361162	3PK775
MD361164	4PK855
MD361988	5PK1000

OEM No.	Gates No.
MD362300	6PK1215
MD363022	4PK970
MD363023	4PK1005
MD363460	5PK970
MD365263	5PK1370
MD366357	5PK865
MD366490	7PK2415
MD368275	6PK1195
MD368858	4PK1120
MD369862	6PK1360
MD373620	5PK865
MD373622	5PK1305
MD375935	5PK1065
MD376691	5PK940
MD377381	6PK1445
MD501592	13A0650
MD553429	13A0620
MD568898	4PK940
MD636351	13A0925
ME900202	13A0620
ME900247	13A1275
ME900249	13A1275
ME902206	13A1200
ME909202	13A0800
MH014050	11A0985
MH014051	11A0985
MH014054	11A0985
MH014055	11A0985
MH014065	11A0965
MH014066	11A0965
MH014093	13A1175
MH014109	13A0620
MH014378	13A1200
MH014379	13A1200
MH014385	13A1175
MH014386	13A1175
MH014570	11A0955
MN128695	6PK1840
MN155725	7PK2415
MN155726	4PK970
MN155728	5PK1135
MN158101	6PK1195
MN158102	4PK900
MN158794	6PK1790
MN158795	6PK1445
MN163085	6PK1885
MN176569	5PK1210
MN176570	5PK915
MN183019	5PK900
MN183597	7PK2415
MN183866	6PK1885
MN187017	4PK900
MN195135	5PK1370
MN195737	5PK915

OEM No.	Gates No.
MQ900831	4PK1115
MQ900832	4PK980
MR148271	4PK940
MR148321	13A0875
MR148323	4PK925
MR360148	13A0950
MR360150	13A0875
MR460467	4PK790
MR908664	5PK820
MR984617	4PK915
MR988922	4PK1540
MR994718	6PK1865
MZ701085	4PK925
N23613715C	11A0925
N249-15-906B	13A1085
N304-13-715	11A0900
N326-15-908	13A0975
N326-15-909	13A1050
N332-13-813A	11A0985
N350-18-381	11A0800
N370-13-813A	11A0965
N3A1-15-907	6PK925
N3A1-15-908	6PK1040
N3A1-18-381	5PK1345
N3H115908	4PK775
N3H115908A	4PK775
N3H1-18-381	5PK820
N3H1-18-381A	5PK820
NAC2211BA	5PK830
NBD3700BA	5PK975
NCA2211AC	7PK2330
ND03231051	10A1010
NF0115908	13A0925
NF0115909	13A1000
PN11-15-909	13A1050
PN11-18-381	13A0875
PN12-15-908	17A1015
PN12-15-909	13A1065
PN12-18-381	13A0875
PN13-15-909	13A0925
PN40-18-381	13A0900
PQR500240	7PK2275
PQS000100	7PK1640
PQS000180	5PK885
PQS000190	5PK800
PQS000200	5PK2020
PQS000220	5PK1000
PQS000367EVA	3PK760
PQS000403EVA	5PK950
PQS051495EVA	5PK1495
PQS10009EVA	11A0940
PQS10013	4PK750
PQS10013EVA	4PK750
PQS10028	4PK775

OEM No.	Gates No.
PQS10028EVA	4PK775
PQS10035	6PK1445
PQS10037	11A0735
PQS10043EVA	5PK700
PQS10044	5PK1165
PQS10045EVA	6PK1420
PQS10056EVA	3PK1080
PQS10061	6PK1755
PQS10065EVA	3PK785
PQS100760EVA	5PK1105
PQS100840	5PK735
PQS100850	6PK1460
PQS100900	6PK1360
PQS100940	5PK1145
PQS100950EVA	5PK1790
PQS101010	4PK815
PQS101030	6PK1180
PQS101080	4PK790
PQS101130	5PK1195
PQS101140	5PK830
PQS101160EVA	5PK950
PQS101180	5PK1195
PQS101210	6PK1555
PQS101261	6PK1285
PQS101261L	6PK1285
PQS101262	6PK1285
PQS101271	6PK1560
PQS101271L	6PK1560
PQS101272	6PK1560
PQS101272L	6PK1560
PQS101290EVA	4PK1065
PQS101300	5PK2020
PQS101300L	5PK2020
PQS101310	5PK870
PQS101310L	5PK870
PQS101340	4PK865
PQS101380	4PK790
PQS101450	3PK735
PQS101460	4PK830
PQS101470	7PK2090
PQS101480	7PK2320
PQS101490	7PK1710
PQS101500	7PK1800
PQS101501	7PK1800
PQS101510	7PK1890
PQS101520	7PK1820
PQS101590	5PK1165
PQS101630	7PK2330
PSQ100840	5PK735
PSQ101590	5PK1165
PW502943	4PK865
PW510580	4PK865
PW510942	5PK950
PW510943	4PK775

OEM No.	Gates No.
PW510944	4PK595
PW850769	4PK595
PW5100730EVA	5PK1105
Q4061025	6PK2605
R2S2-15-907	13A0900
REMF-6350	13A0925
RF01-18-381	13A1125
RF03-15-930	13A0925
RF03-15-980	13A0925
RF05-15-980	13A1050
RF1G-18-380	11A0890
RF1H-18-380	11A1060
RF1S-18-380A	13A1050
RF2L-18-380A	13A0900
RF2L-18-380B	13A0900
RF71-15-907	13A0850
RF71-15-907A	13A0850
RF71-15-907B	13A0850
RF71-15-908	13A0900
RF71-18-381	13A0900
RF71-18-381A	13A0900
RF71-18-381B	13A0900
RF71-18-381C	13A0900
RF71-20-737	13A0710
RF71-20-737A	13A0710
RFC6-18-381	13A0850
RFG1-13-813	5PK690
RFG1-13-813A	5PK690
RFG1-15-908	13A0925
RFG1-18-380	13A0850
RFG1-18-380A	13A0850
RFG1-18-380B	13A0850
RFG1-18-381	13A0850
RFG1-18-381A	13A0850
RFG1-18-381B	13A0850
RFJ5-15-907	13A0875
RFJ5-18-381	13A1175
RFN115908	13A0925
RKC5233	11A0925
S-526-LD9	13A1200
SA3768	13A1650
SA4028	13A1650
SA4166	13A1225
SA4524	13A1550
SA5025	13A1725
SA5223	13A1700
SE01-78-022	13A1450
SE020032310A	11A0800
SE020032310A	11A0815
SE021039310A	13A0950
SE021040210A	11A0750
SE08-18-381	13A1100
SE17-18-381A	13A1105
SE700032310A	11A0840

OEM No.	Gates No.
SE700032310B	11A0840
SL22-18-381	13A1130
STC2134	5PK1815
STC2326	4PK855
STC3397	4PK840
STC4455	5PK1815
TCK0366	11A0900
TF01-18-381	TR22474
TKC1616	11A1105
TKC2165	11A1105
TKC2444	13A0925
TKC2802	11A0940
TKC386	11A0900
TKC6621	11A1105
TR22692	TR22692
TRC2801	11A0985
UAM1058	10A0710
UC87-32-605	13A0735
UE31113RR	11A1270
UE31855RR	11A0985
UE8591	11A1320
V101-18-381	TR22461
V86BB6C301AA	11A0900
V87VB6C301AA	11A0985
V87VB6C301BA	13A1000
V90HF6C301AA	6PK1420
V90HF6C301BA	11A0990
V92HF6C301AA	4PK980
V93XF6C301AA	6PK1650
V93XF6C301BA	6PK1650
V94BF6C301AB	4PK830
V94BF6C301BA	4PK860
V94DD6C301AA	7PK2225
V94DD6C301AB	7PK2225
V95DD6C301AA	7PK2225
V97DD6C301AA	7PK1910
V97MF6C301AA	6PK1755
V97MF6C301BA	6PK1930
VM46510541A	11A0825
VM46510586F	7PK1710
VM46510591F	7PK2045
VM46510600F	7PK1710
VM46510610	7PK1910
VS15778	11A0965
VS17977	13A1550
VS18634	4PK800
VS19869	4PK785
VS20227	13A1525
VS20979	6PK1785
VSJK4 351	4PK875
VSJK4 384	4PK960
W029-32-611	13A0850
W065-32-611	13A0875
WB 15909 B	4PK975

OEM No.	Gates No.
WL01-18-381	13A1100
WL11-15-908	13A1000
WL11-15-908A	13A1000
WL51-18-380	13A1100
WL5118380A	13A1100
WL61-18-381	13A1385
WL61-18381-A99	13A1385
WL81-15-908A	13A1000
WLL715908A	13A0975
WR2A 8620 BA	6PK2375
WR2T 8260 BA	6PK2375
XF2E8620JA	6PK2150
XF2E8620JB	6PK2160
XHM5788EVA	4PK910
XL2E8620BA	6PK2190
XM3419D621AB	13A1000
XM3419D621DA	13A1175
XM343F572AA	13A0825
XM348620AA	13A1100
XM348620BA	13A1100
XM348620DA	13A0950
XO39530760	11A0840
XO39652540	11A0815
XS2E-8620HA	6PK2080
XS2E-8620HB	6PK2080
XS2E-8620MA	6PK1815
XS2E-8620MB	6PK1815
XS2E-8620NA	6PK1815
XS2Z-8620HA	6PK2080
XS6E6C301BB	6PK1700
XS6E6C301JA	6PK1930
XS6E6C301JB	6PK1940
XS7E6C301CC	4PK735
Y401-15-907	6PK1335
Y401-15-908	6PK1715
Y60115909	6PK975
Y60115909A	6PK975
Y701-15-907	11A0915
Y701-18-381	13A0975
Y702-15-908A	13A1135
YC1E6C301AB	7PK2705
YC1E6C301BB	7PK2870
YC1E6C301CB	7PK2705
YC1E6C301DB	7PK2870
YF09-15-908	6PK2080
YF09-15-909	6PK1970
YM216C301CA	6DPK1320
YM216C301EA	6PK1270
YS6E6C301AB	6PK1620
YS6E6C301BB	6PK1695
Z501-15-909	4PK990
Z60115909	6PK1865
ZG0115909A	6PK2020
ZJ0115909A	6PK2020

OEM No.	Gates No.
ZJ01-15-909A	6PK2005
ZJ3815908B	6PK1840
ZJ3815909	6PK1840
ZJ3815909B	6PK1840
ZJ3815909C	6PK1840
ZL01-15-907	4PK890
ZZ3S18381	4PK640
ZZS318381	4PK640
ZZS4-18-381	4PK675
ZZS618381	4PK830
ZZSA18381A	11A0750
XS2E-8620HA	6PK2080
XS2E-8620HB	6PK2080
XS2E-8620MA	6PK1815
XS2E-8620MB	6PK1815
XS2E-8620NA	6PK1815
XS2Z-8620HA	6PK2080
XS6E6C301BB	6PK1700
XS6E6C301JA	6PK1930
XS6E6C301JB	6PK1940
XS7E6C301CC	4PK735
Y401-15-907	6PK1335
Y401-15-908	6PK1715
Y60115909	6PK975
Y60115909A	6PK975
Y701-15-907	11A0915
Y701-18-381	13A0975
Y702-15-908A	13A1135
YC1E6C301AB	7PK2705
YC1E6C301BB	7PK2870
YC1E6C301CB	7PK2705
YC1E6C301DB	7PK2870
YF09-15-908	6PK2080
YF09-15-909	6PK1970
YM216C301CA	6DPK1320
YM216C301EA	6PK1270
YS6E6C301AB	6PK1620
YS6E6C301BB	6PK1695
Z501-15-909	4PK990
Z60115909	6PK1865
ZG0115909A	6PK2020
ZJ0115909A	6PK2020
ZJ3815908B	6PK1840
ZJ3815909	6PK1840
ZJ3815909B	6PK1840
ZJ3815909C	6PK1840
ZL01-15-907	4PK890
ZZ3S18381	4PK640
ZZS318381	4PK640
ZZS4-18-381	4PK675
ZZS618381	4PK830
ZZSA18381A	11A0750

OTHER CATALOGUES AVAILABLE FROM THE GATES RANGE

Automotive Applications Catalogue 496-2043

- HOSE

Automotive Applications Catalogue 496-2015

- Timing Belt & Timing Component Kits

Ideal Product Catalogue 496-2091

- CLAMPS

Stant Applications Catalogue 496-2048

- THERMOSTATS • GASKETS

Automotive Master Catalogue 496-2087



The World's Most Trusted Name In Belts, Hose & Hydraulics.

GATES LIMITED WARRANTY

THE PRODUCTS LISTED IN THIS CATALOGUE ARE WARRANTED TO THE ORIGINAL VEHICLE OWNER TO BE FREE FROM DEFECT IN MATERIAL OR WORKMANSHIP FOR THE LIFE OF THE PRODUCT. THIS WARRANTY COVERS ONLY THOSE PRODUCTS USED ON APPLICATIONS SPECIFIED IN GATES LITERATURE AND INSTALLED AND MAINTAINED IN ACCORDANCE WITH THE VEHICLE MANUFACTURER'S RECOMMENDED PROCEDURES. FAILURE TO FOLLOW THESE INSTRUCTIONS VOIDS ALL WARRANTIES, EXPRESS AND IMPLIED. CONSEQUENTIAL AND INCIDENTAL DAMAGES, AND DAMAGE CAUSED THROUGH MISAPPLICATION, IMPROPER INSTALLATION OR SERVICE, MISUSE, AND ABUSE ARE ALSO EXCLUDED UNDER THIS WARRANTY.

IMPLIED WARRANTY OF MERCHANTABILITY IS LIMITED TO THE EXPRESS WARRANTY PERIOD. THERE IS NO OTHER WARRANTY, EXPRESS OR IMPLIED, INCLUDING NO WARRANTY OF FITNESS FOR A PARTICULAR PURPOSE.

GATES AUSTRALIA WILL PROVIDE A REPLACEMENT IF THE PRODUCT IS DETERMINED BY GATES IN OUR SOLE JUDGEMENT TO BE DEFECTIVE IN MATERIAL OR WORKMANSHIP DURING THE WARRANTY PERIOD. PROVISION OF A REPLACEMENT PRODUCT IS THE SOLE REMEDY. GATES HAS BEEN A QUALITY MANUFACTURER SINCE 1911.

©COPYRIGHT ALL RIGHTS RESERVED. THE PRODUCT AND APPLICATION INFORMATION IN THIS CATALOGUE WAS PREPARED BY THE GATES RUBBER COMPANY FOR THE AUSTRALIAN AND NEW ZEALAND MARKETS. GREAT CARE HAS BEEN TAKEN TO ENSURE ACCURACY AND GATES DISCLAIMS AND LIABILITY FOR PRINTING ERRORS OR USE OF ITS PRODUCTS IN APPLICATION OTHER THAN THOSE FOR WHICH THEY WERE DESIGNED.

THIS CATALOGUE IS PRINTED TO ASSIST GATES CUSTOMERS. CATALOGUE IS SUPPLIED WITH THE CONDITION IT CANNOT BE CIRCULATED IN ANY FORM OTHER THAN IN ITS ORIGINAL FORM AND SHALL NOT BY WAY OF TRADE OR OTHERWISE BE SOLD, LENT, CIRCULATED OR REPRODUCED WITHOUT COPYRIGHT OWNERS WRITTEN CONSENT. ANY COPYRIGHT INFRINGEMENT WILL BE PROSECUTED TO THE EXTENT THE LAW ALLOW. FOR INSTALLATION AND TENSIONING INSTRUCTIONS REFER TO APPROPRIATE VEHICLE SERVICE MANUAL.

CAUTION USE PRODUCTS ONLY ON APPLICATIONS SPECIFIED IN GATES LITERATURE. INSTALL AND MAINTAIN PRODUCTS ACCORDING TO THE VEHICLE MANUFACTURER'S RECOMMENDED INSTRUCTIONS AND WITH RECOMMENDED TOOLS. FAILURE TO FOLLOW THESE INSTRUCTIONS COULD RESULT IN INJURY OR PROPERTY DAMAGE. GATES DISCLAIMS ALL LIABILITY DUE TO FAILURE TO FOLLOW THESE INSTRUCTIONS. WARNING DO NOT USE GATES BELTS,

PULLEYS OR SPROCKETS ON AIRCRAFT PROPELLER OR ROTOR SYSTEMS OR IN-FLIGHT ACCESSORY DRIVES. THOSE GATES PRODUCTS ARE NOT DESIGNED OR INTENDED FOR AIRCRAFT USE.

496-2032 11/09



GATES SOUTH PACIFIC OPERATIONS

1-15 Hydrive Close, Dandenong South, Victoria, 3175

PH: 61 03 9797 9666 FAX: 61 03 9797 9600

www.gatesaustralia.com.au